



US00D606953S

(12) **United States Design Patent**
Shin et al.

(10) **Patent No.:** **US D606,953 S**

(45) **Date of Patent:** **** Dec. 29, 2009**

(54) **TELEVISION**

(75) Inventors: **Cheol Woong Shin**, Gyeonggi-do (KR);
Hyun Byung Cha, Seoul (KR)

(73) Assignee: **LG Electronics Inc.**, Seoul (KR)

(**) Term: **14 Years**

(21) Appl. No.: **29/339,520**

(22) Filed: **Jul. 1, 2009**

(30) **Foreign Application Priority Data**

Jan. 23, 2009 (KR) 30-2009-0003150

(51) **LOC (9) Cl.** **14-03**

(52) **U.S. Cl.** **D14/126**

(58) **Field of Classification Search** D14/125-134,
D14/239, 371, 136, 374-377, 440, 450, 448,
D14/336, 342; 312/7.2; 348/836, 838, 180,
348/184, 325, 739; 341/12; 248/917-924,
248/465; 345/104, 133, 156, 168, 87, 173;
720/605, 669, 600, 655; 369/99, 197; 455/344,
455/347; D21/329, 515, 577, 622, 333, 433,
D21/448, 452, 450, 331; D6/477, 479, 300;
273/148 B; 446/484, 175, 356; D10/15,
D10/26

See application file for complete search history.

(56) **References Cited**

U.S. PATENT DOCUMENTS

D497,364 S * 10/2004 Ozolins et al. D14/374

D540,275 S * 4/2007 Lewis D14/126

D542,243 S * 5/2007 Lewis D14/126

D545,776 S * 7/2007 Kwon D14/126

D564,994 S * 3/2008 Yamaguchi D14/126

D566,072 S * 4/2008 Yamaguchi D14/126

D584,281 S * 1/2009 Kim et al. D14/188

* cited by examiner

Primary Examiner—Raphael Barkai

(74) *Attorney, Agent, or Firm*—Morgan Lewis & Bockius
LLP

(57) **CLAIM**

The ornamental design for a television, as shown and
described.

DESCRIPTION

FIG. 1 is a top, front, perspective view of a television showing
our new design;

FIG. 2 is a front view thereof;

FIG. 3 is a rear view thereof;

FIG. 4 is a left side view thereof;

FIG. 5 is a right side view thereof;

FIG. 6 is a top plan view thereof; and,

FIG. 7 is a bottom plan view thereof.

1 Claim, 5 Drawing Sheets

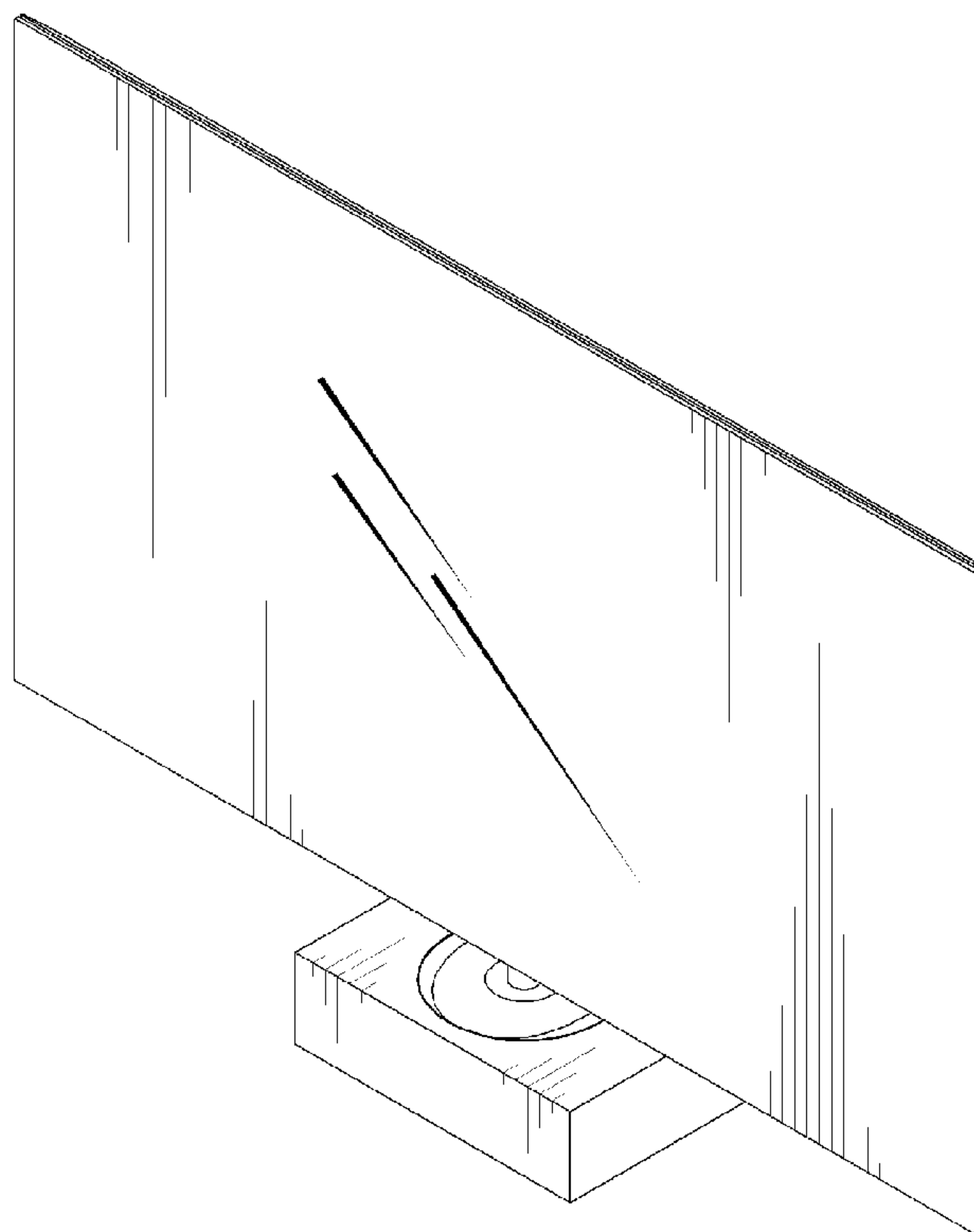


FIG. 1

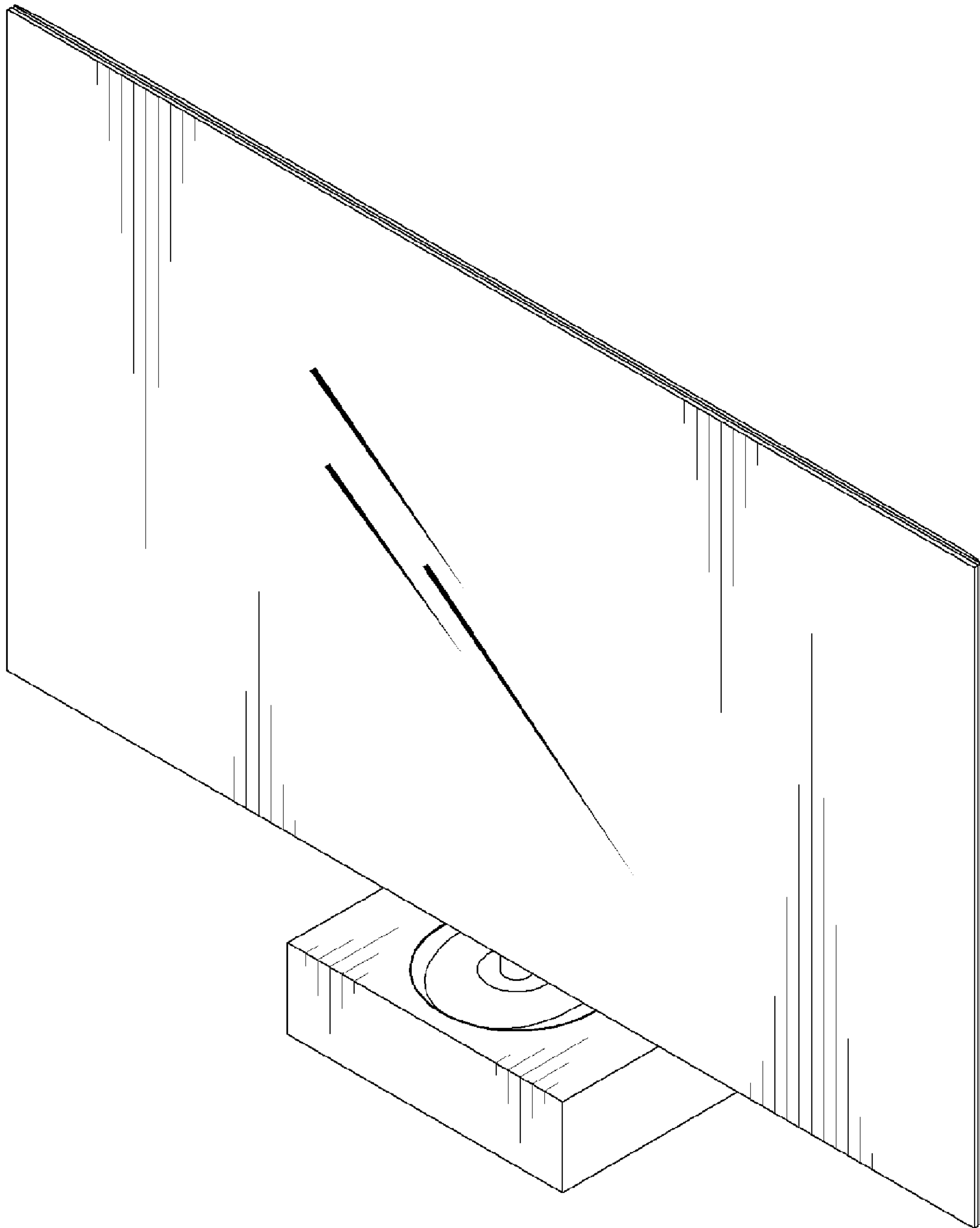


FIG. 2

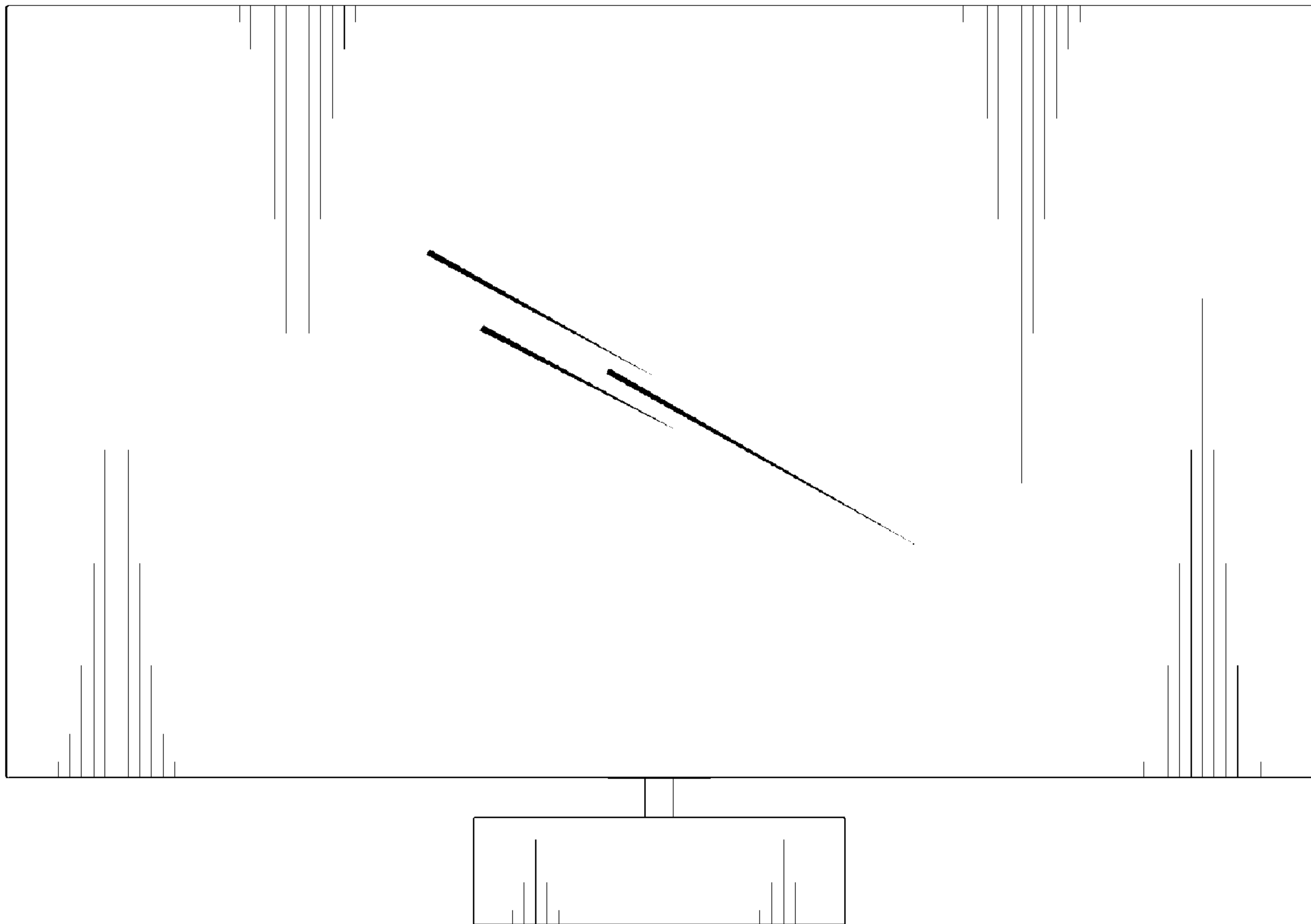


FIG. 3

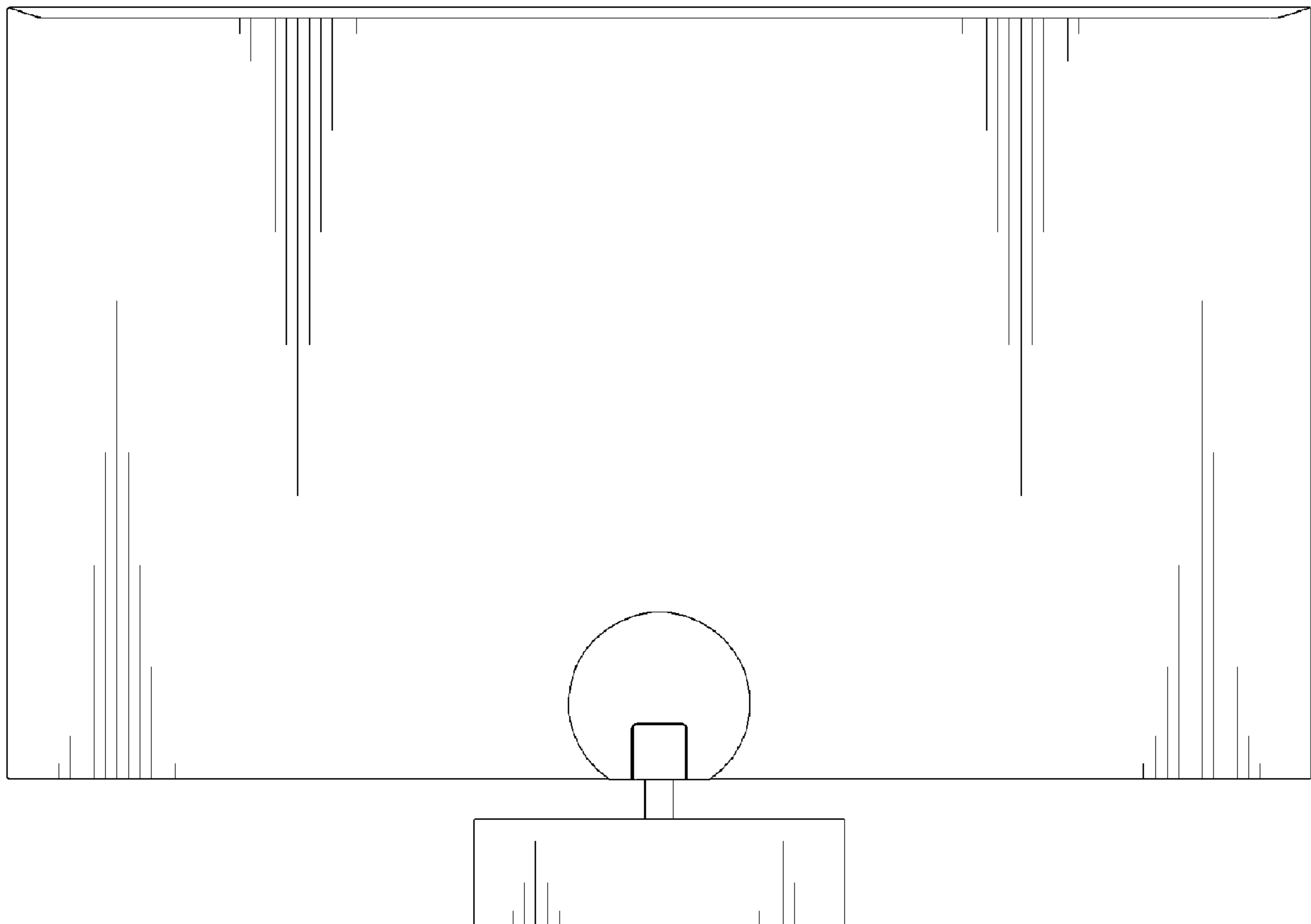


FIG. 4

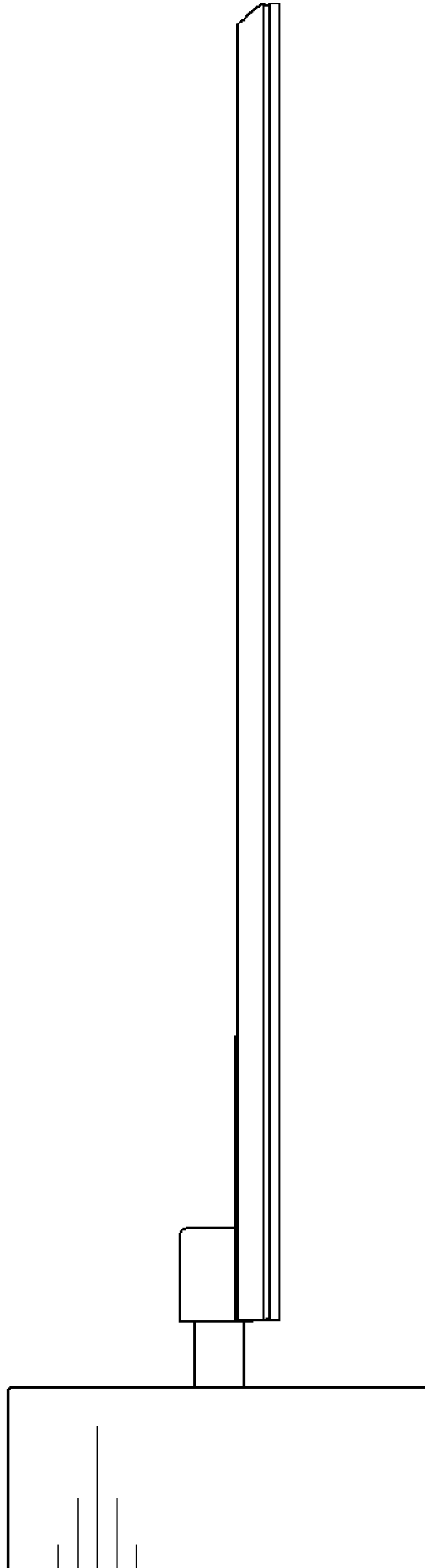


FIG. 5

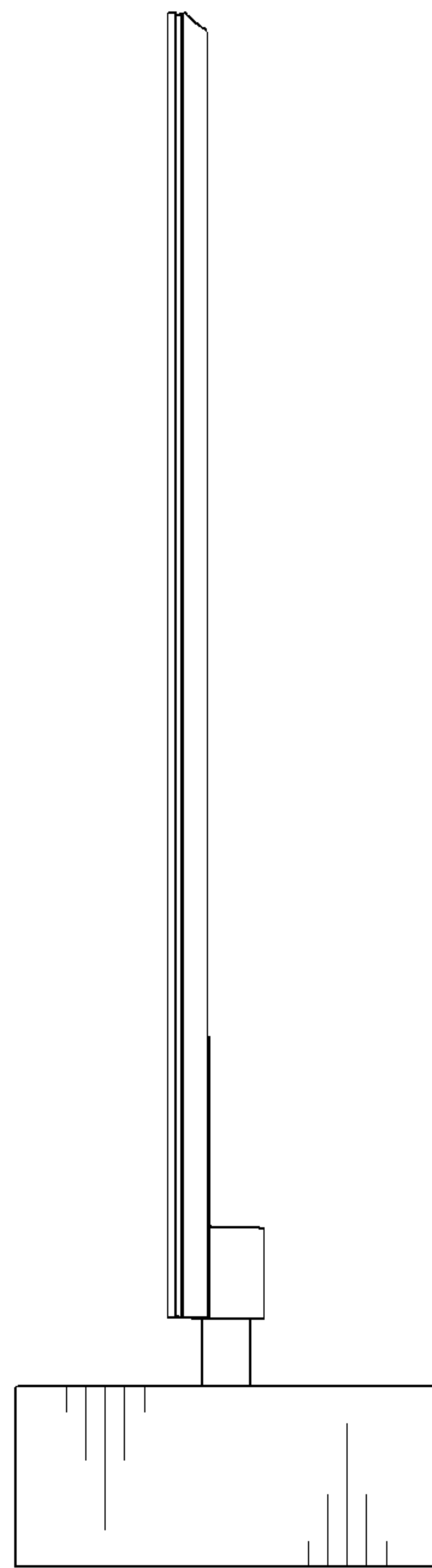


FIG. 6

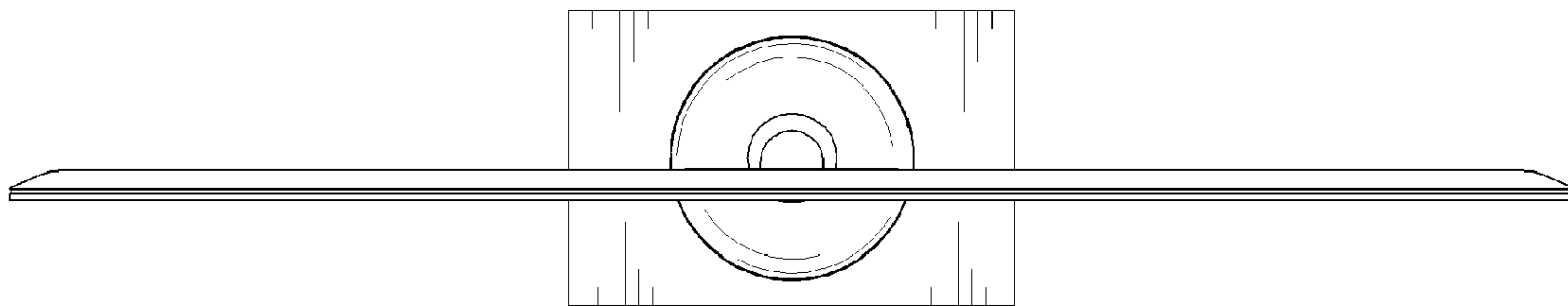


FIG. 7

