



US00D606950S

(12) **United States Design Patent**  
**Ariizumi**

(10) **Patent No.:** **US D606,950 S**  
(45) **Date of Patent:** **\*\* Dec. 29, 2009**

(54) **LIGHT-EMITTING DIODE**

2007/0262336 A1\* 11/2007 Tamaki et al. .... 257/98

(75) Inventor: **Yoshio Ariizumi**, Kitakyushu (JP)

FOREIGN PATENT DOCUMENTS

(73) Assignee: **Kabushiki Kaisha Toshiba** (JP)

JP	D1149468	8/2002
JP	D1223316	11/2004
JP	D1223595	11/2004
JP	D1238554	5/2005
JP	D1250428	9/2005
JP	D1300074	5/2007
JP	D1300081	5/2007
JP	D1330185	5/2008

(\*\*) Term: **14 Years**

(21) Appl. No.: **29/337,763**

(22) Filed: **May 29, 2009**

\* cited by examiner

(30) **Foreign Application Priority Data**

Apr. 10, 2009 (JP) ..... 2009-008290

*Primary Examiner*—Selina Sikder

(74) *Attorney, Agent, or Firm*—Banner & Witcoff, Ltd.

(51) **LOC (9) Cl.** ..... **13-03**

(52) **U.S. Cl.** ..... **D13/180**

(58) **Field of Classification Search** ..... D13/180;  
D26/2; 257/79, 80, 81, 88, 89, 95, 98, 99,  
257/100, E33.058; 313/483, 498, 500; 362/555,  
362/800

See application file for complete search history.

(57) **CLAIM**

The ornamental design for a light-emitting diode, as shown and described.

**DESCRIPTION**

FIG. 1 is a front, bottom and right side perspective view of a light-emitting diode, showing my new design;

FIG. 2 is a front elevational view thereof;

FIG. 3 is a rear elevational view thereof;

FIG. 4 is a left side elevational view thereof;

FIG. 5 is a right side elevational view thereof;

FIG. 6 is a top plan view thereof; and,

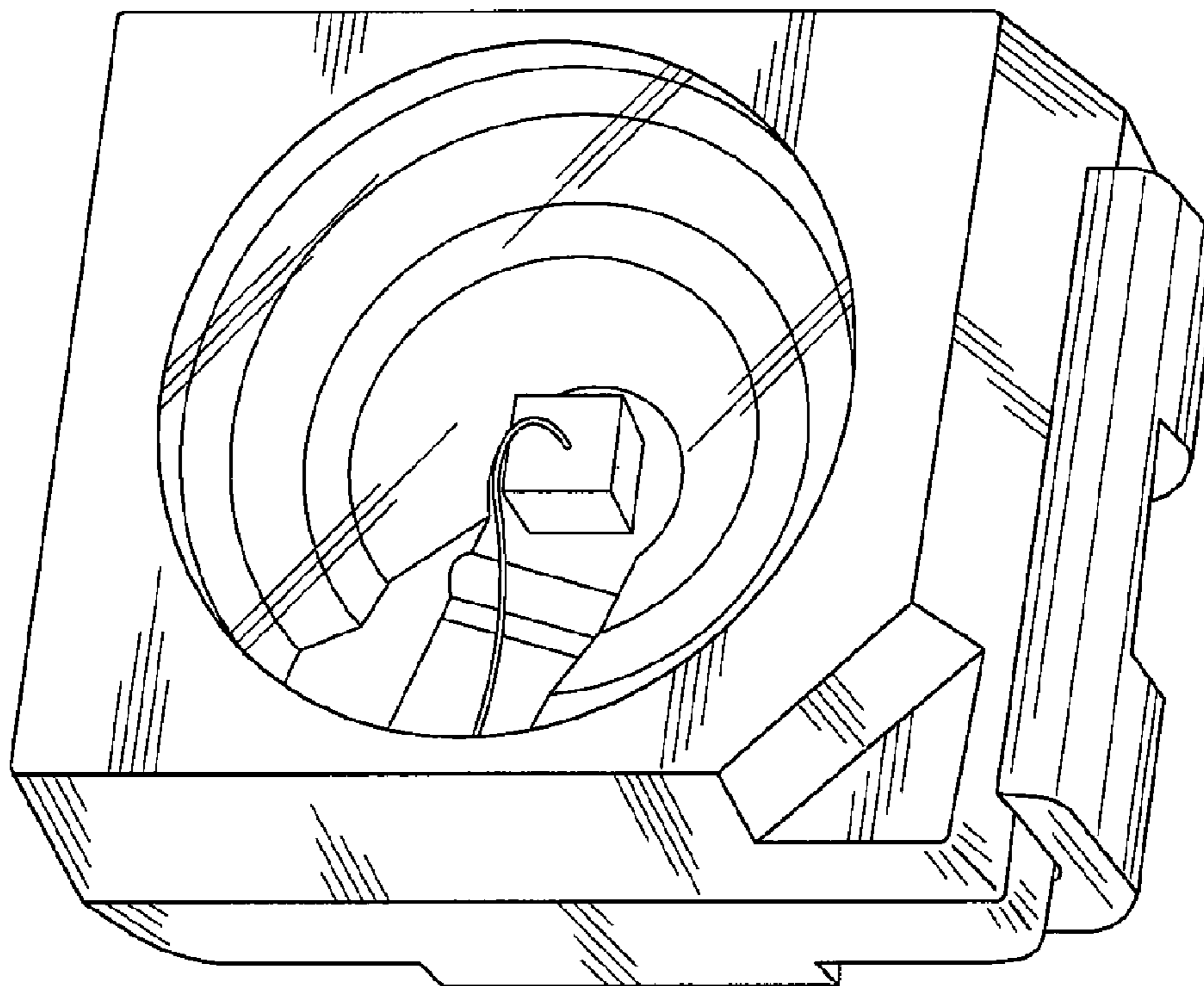
FIG. 7 is a bottom plan view thereof.

(56) **References Cited**

U.S. PATENT DOCUMENTS

D490,387 S *	5/2004	Yagi	.....	D13/182
D573,114 S *	7/2008	Min et al.	.....	D13/180
D576,966 S *	9/2008	Ng et al.	.....	D13/180
D585,848 S *	2/2009	Kim et al.	.....	D13/180
D595,244 S *	6/2009	In et al.	.....	D13/180
D596,591 S *	7/2009	In et al.	.....	D13/180
2004/0256706 A1 *	12/2004	Nakashima	.....	257/678
2006/0022215 A1 *	2/2006	Arndt et al.	.....	257/99

**1 Claim, 7 Drawing Sheets**



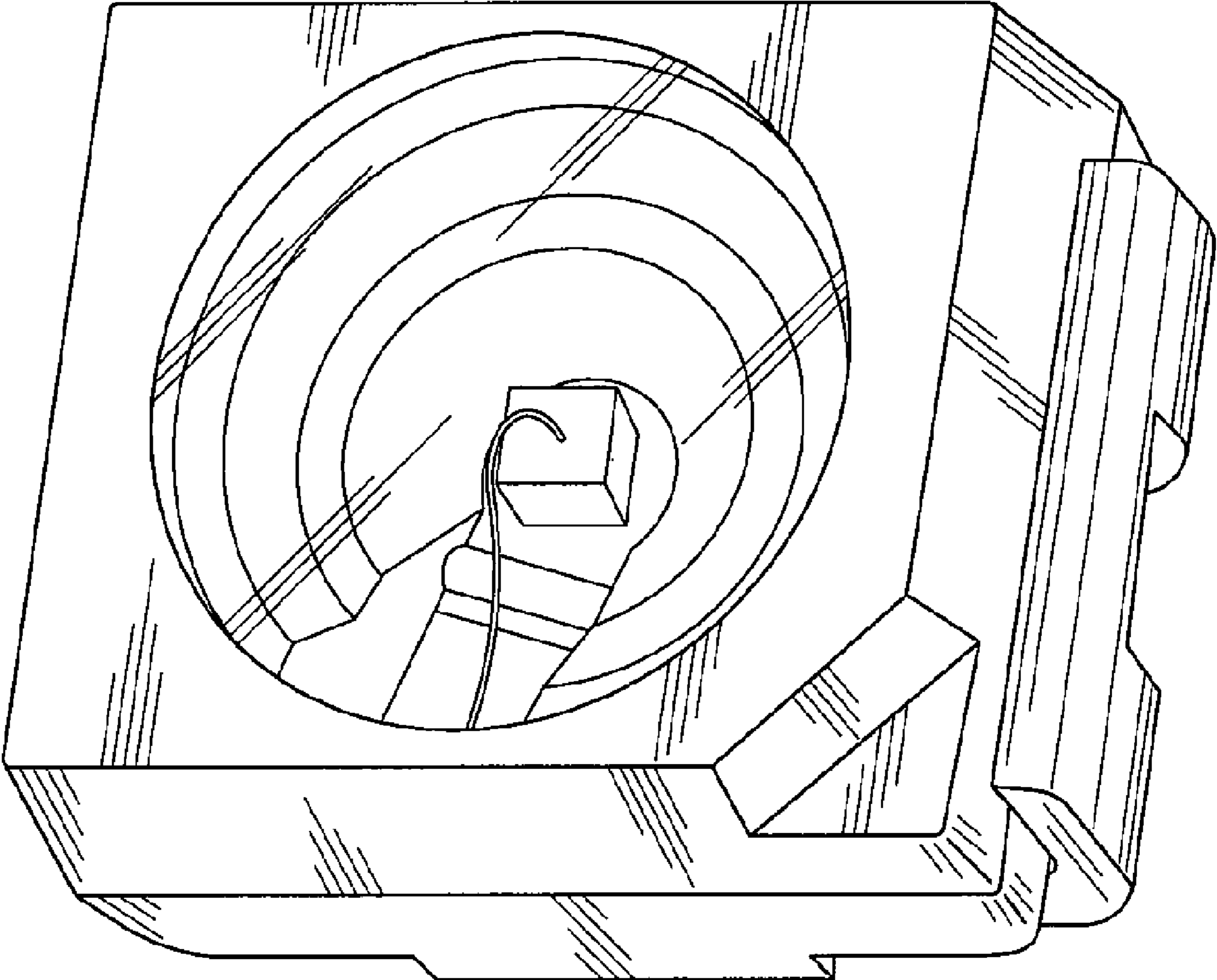


FIG. 1

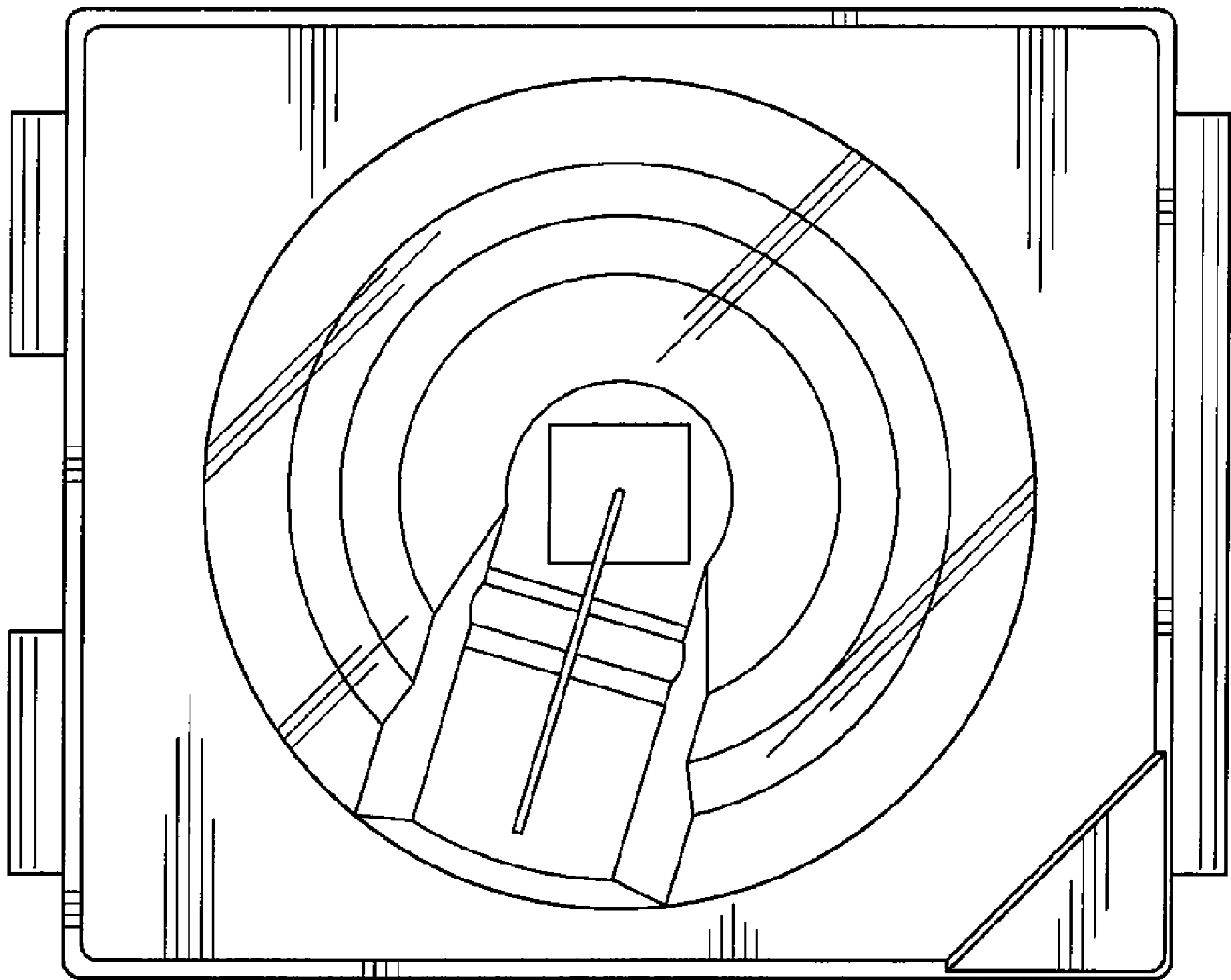


FIG. 2

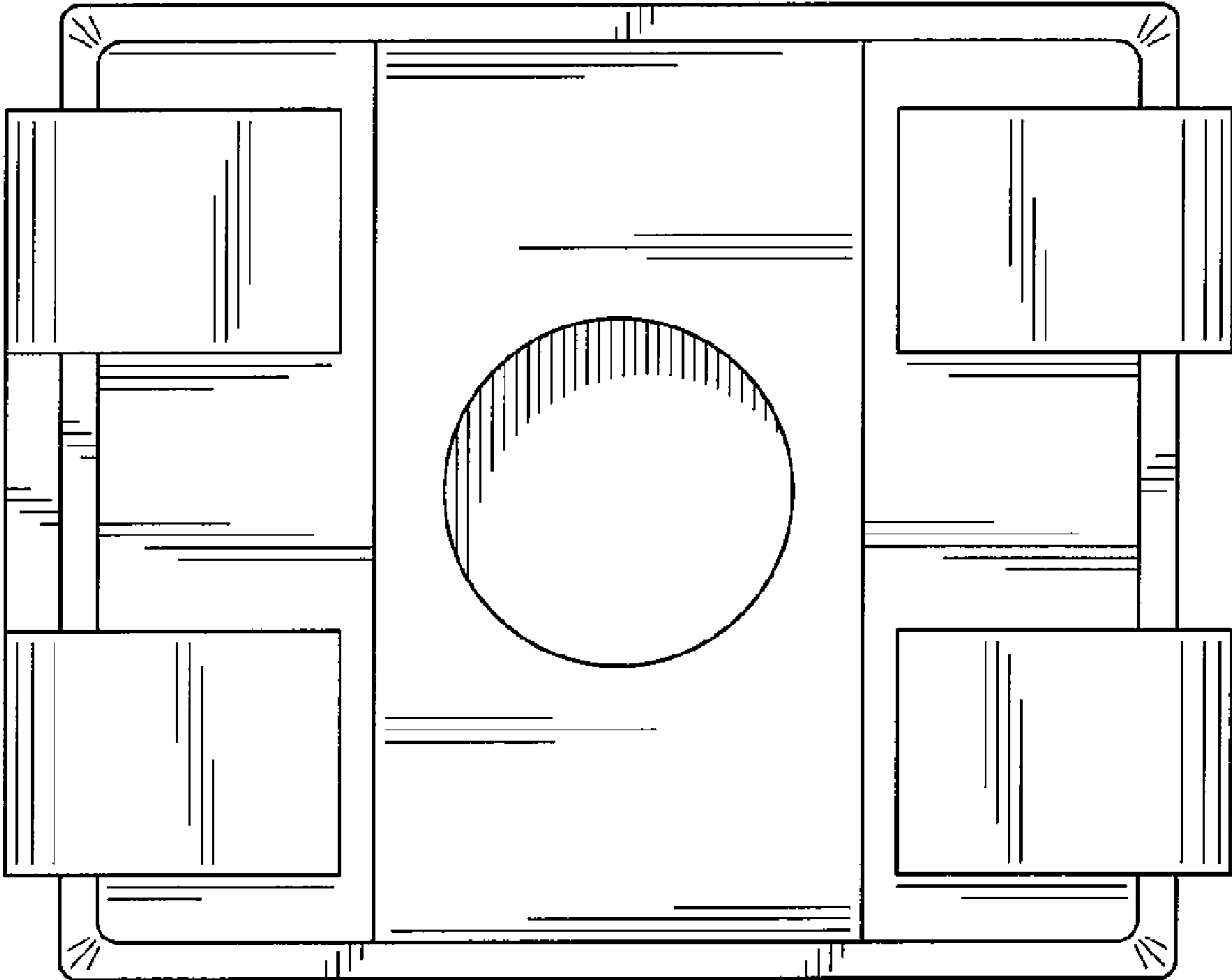


FIG. 3

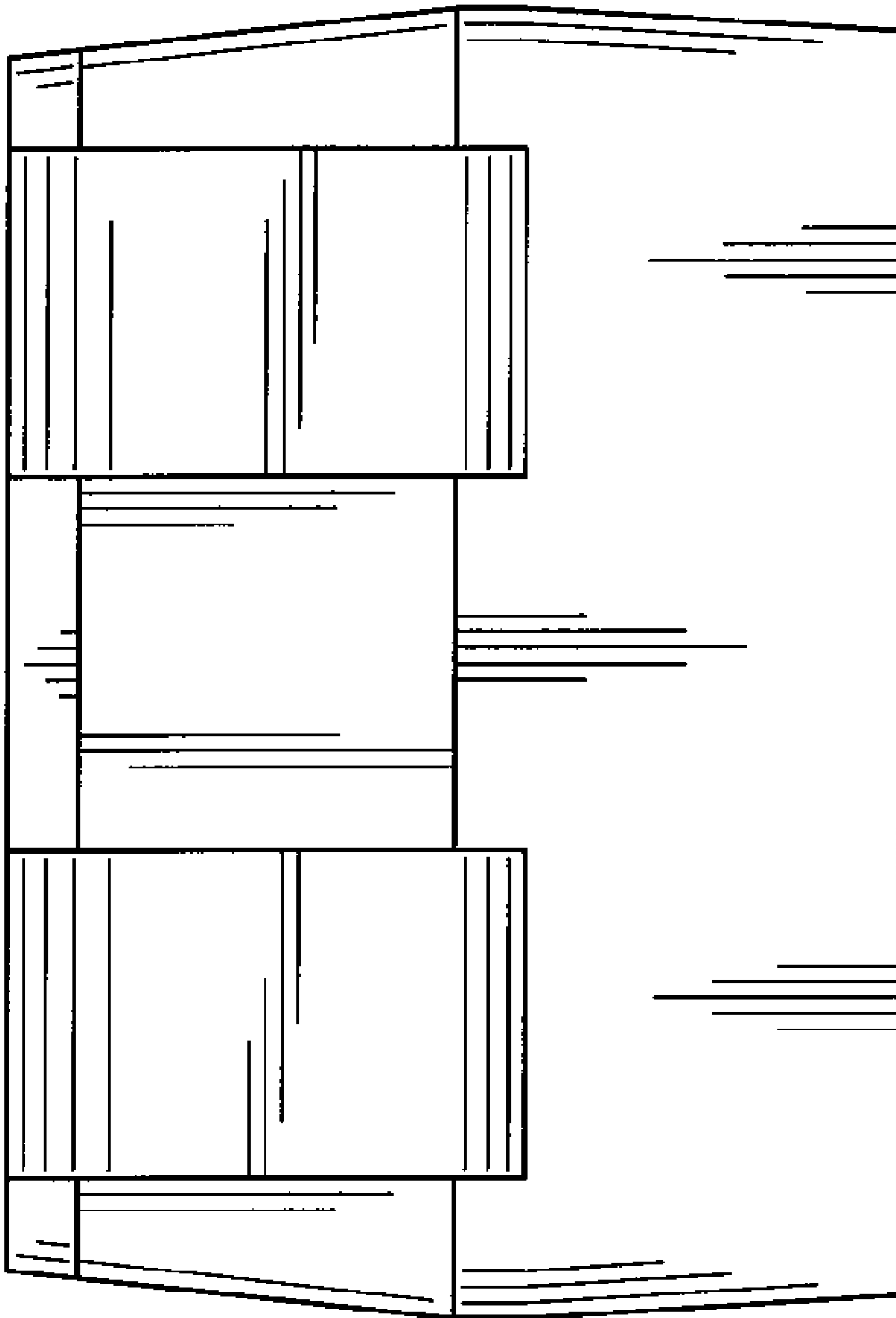


FIG. 4

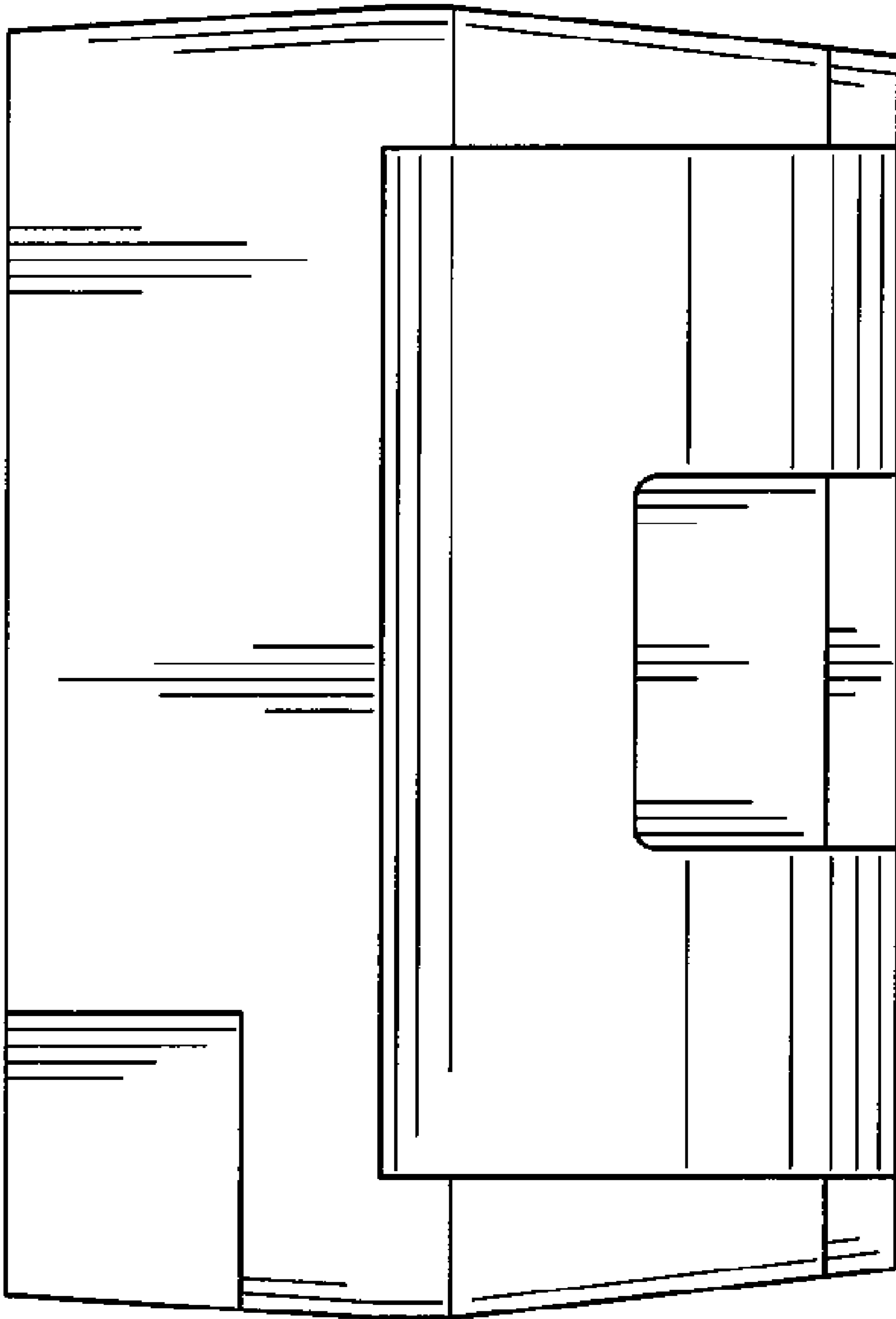


FIG. 5

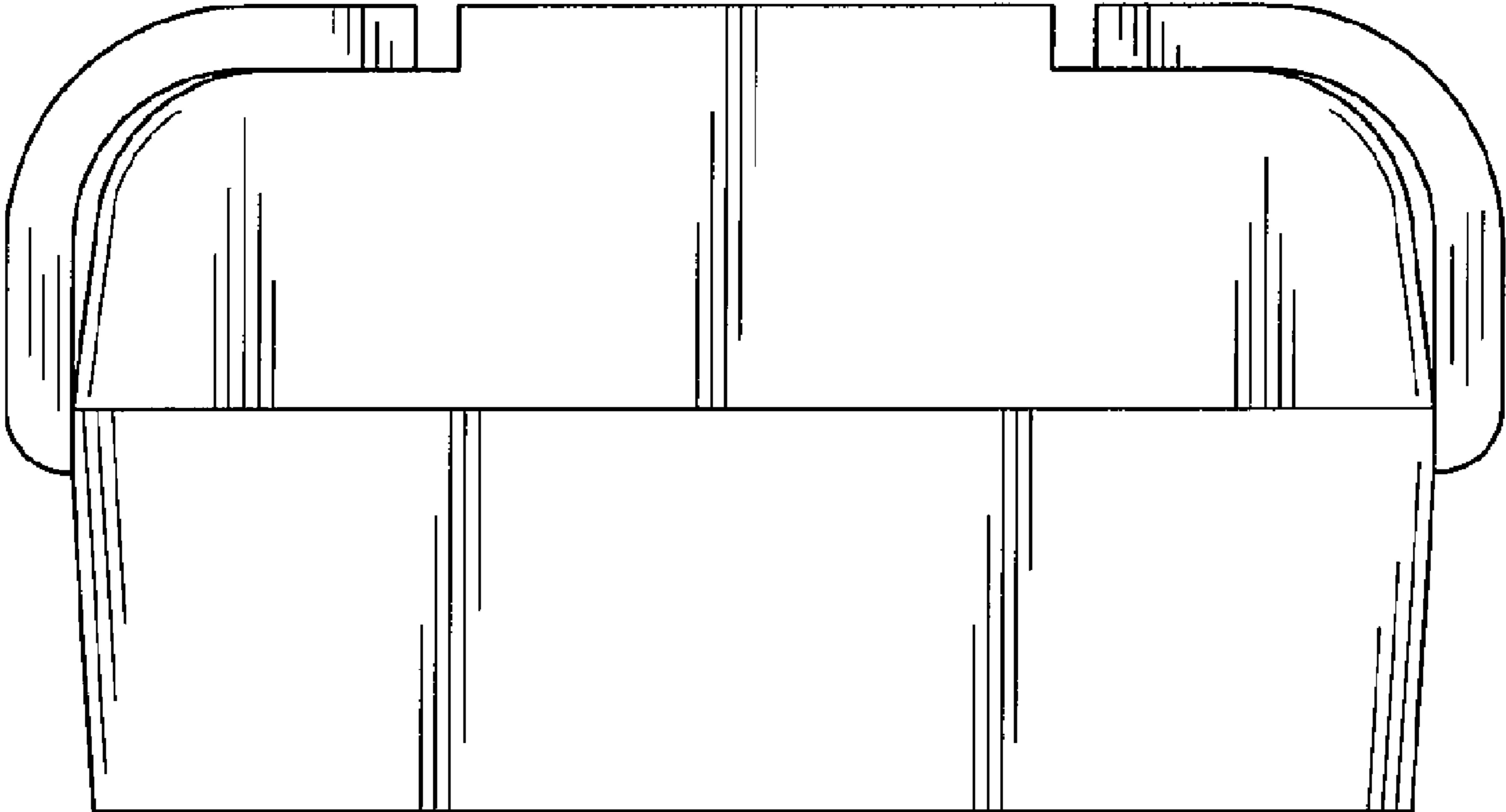


FIG. 6

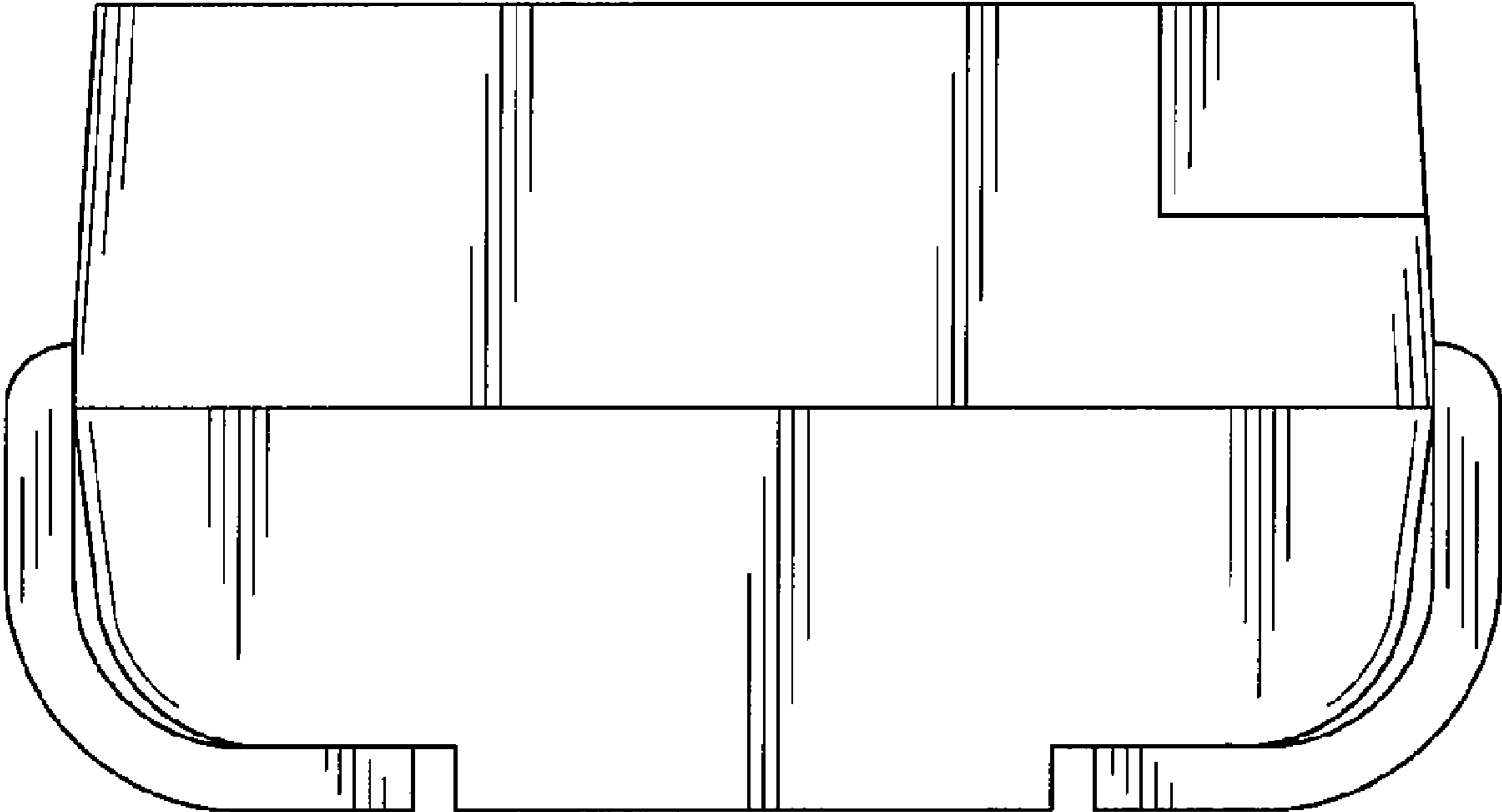


FIG. 7