



US00D606949S

(12) **United States Design Patent**
Liu

(10) **Patent No.:** **US D606,949 S**
(45) **Date of Patent:** **** Dec. 29, 2009**

(54) **LIGHT EMITTING DIODE DEVICE**
(75) Inventor: **Wen-Huang Liu**, Hsinchu County (TW)
(73) Assignee: **SemiLEDs Optoelectronics Co., Ltd.**,
Chu-Nan (TW)
(**) Term: **14 Years**
(21) Appl. No.: **29/319,676**
(22) Filed: **Jun. 12, 2008**

6,344,665 B1 * 2/2002 Sung et al. 257/91
6,495,862 B1 * 12/2002 Okazaki et al. 257/103
6,844,571 B2 * 1/2005 Krames et al. 257/81
6,847,052 B2 * 1/2005 Fan et al. 257/79
D521,952 S * 5/2006 Yamada et al. D13/182

* cited by examiner

Primary Examiner—Selina Sikder
(74) *Attorney, Agent, or Firm*—Patterson & Sheridan, LLP

(51) **LOC (9) Cl.** **13-03**
(52) **U.S. Cl.** **D13/180**
(58) **Field of Classification Search** D13/180,
D13/182; 257/13, 79, 91, 98, 103; 438/606
See application file for complete search history.

(57) **CLAIM**

The ornamental design for a light emitting diode device, as shown and described.

(56) **References Cited**

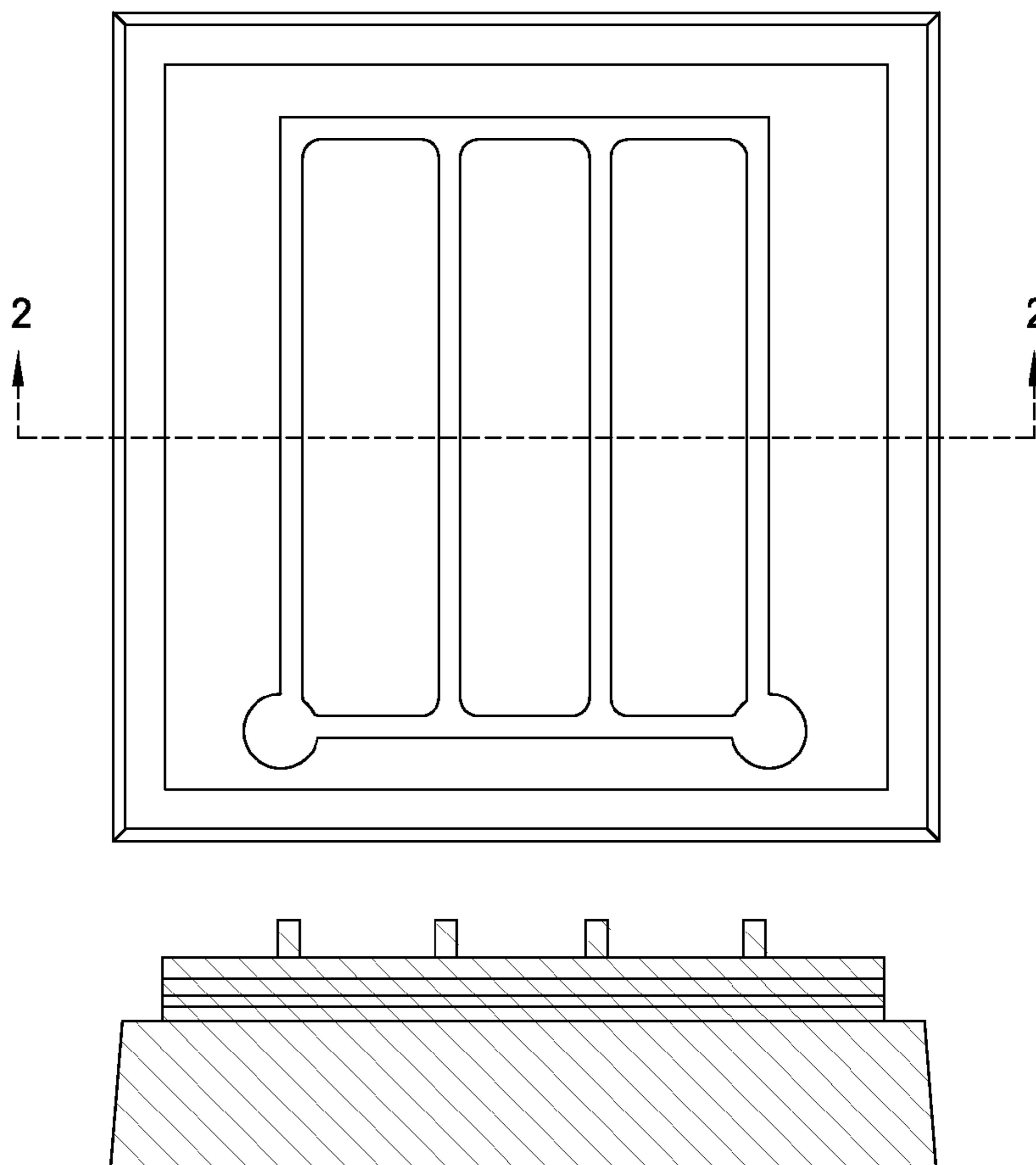
U.S. PATENT DOCUMENTS

5,652,434 A * 7/1997 Nakamura et al. 257/13
6,097,040 A * 8/2000 Morimoto et al. 257/91
6,153,894 A * 11/2000 Udagawa 257/96
6,204,512 B1 * 3/2001 Nakamura et al. 257/13
6,281,526 B1 * 8/2001 Nitta et al. 257/103
6,287,947 B1 * 9/2001 Ludowise et al. 438/606

DESCRIPTION

FIG. 1 is a top view of an embodiment of our new design;
FIG. 2 is a cross-sectional view taken along line 2—2 in FIG. 1;
FIG. 3 is a right side view of FIG. 1; the left side view is a mirror image of the right side view.
FIG. 4 is a front view of FIG. 1; and,
FIG. 5 is a rear view of FIG. 1.

1 Claim, 2 Drawing Sheets



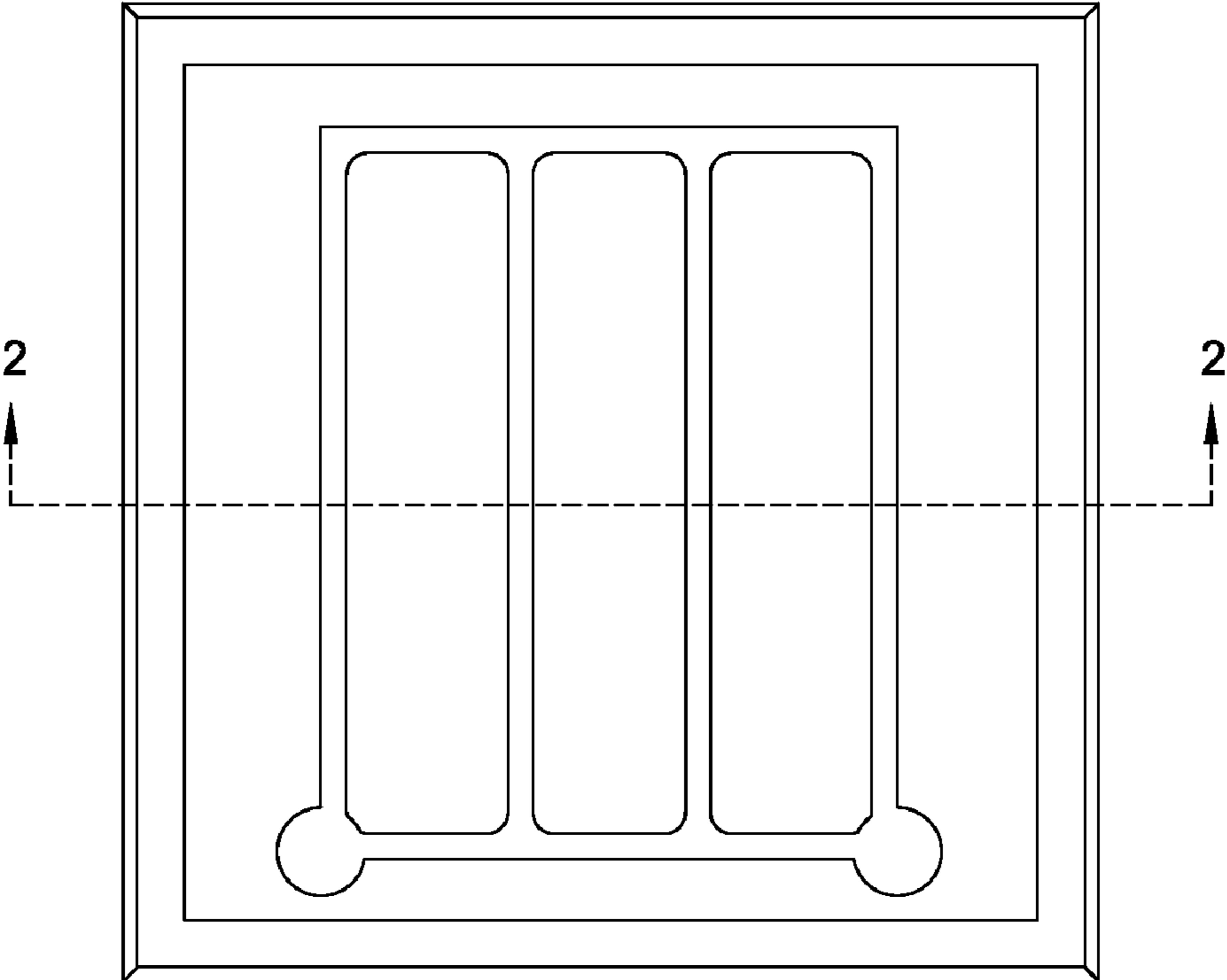


FIG. 1

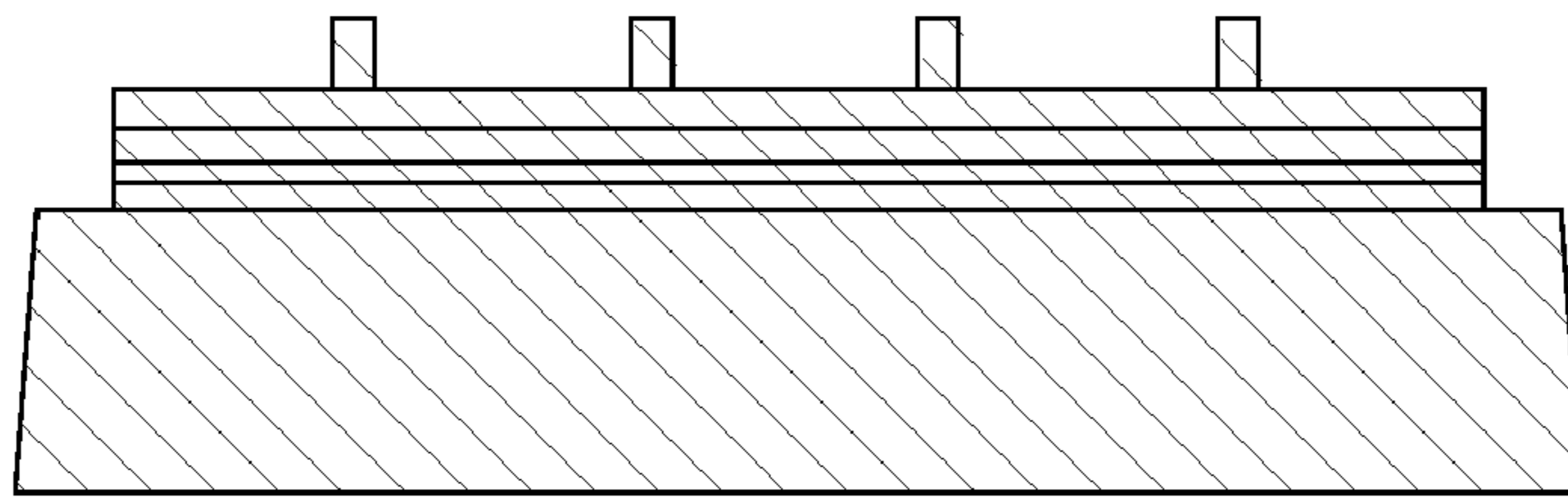


FIG. 2

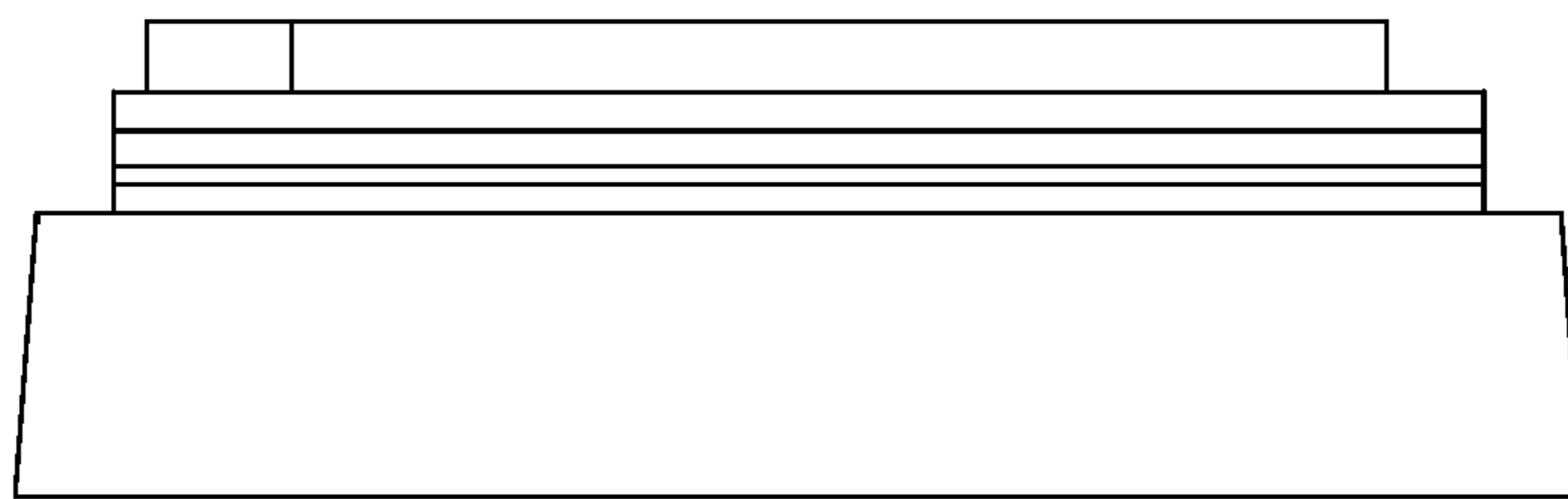


FIG. 3

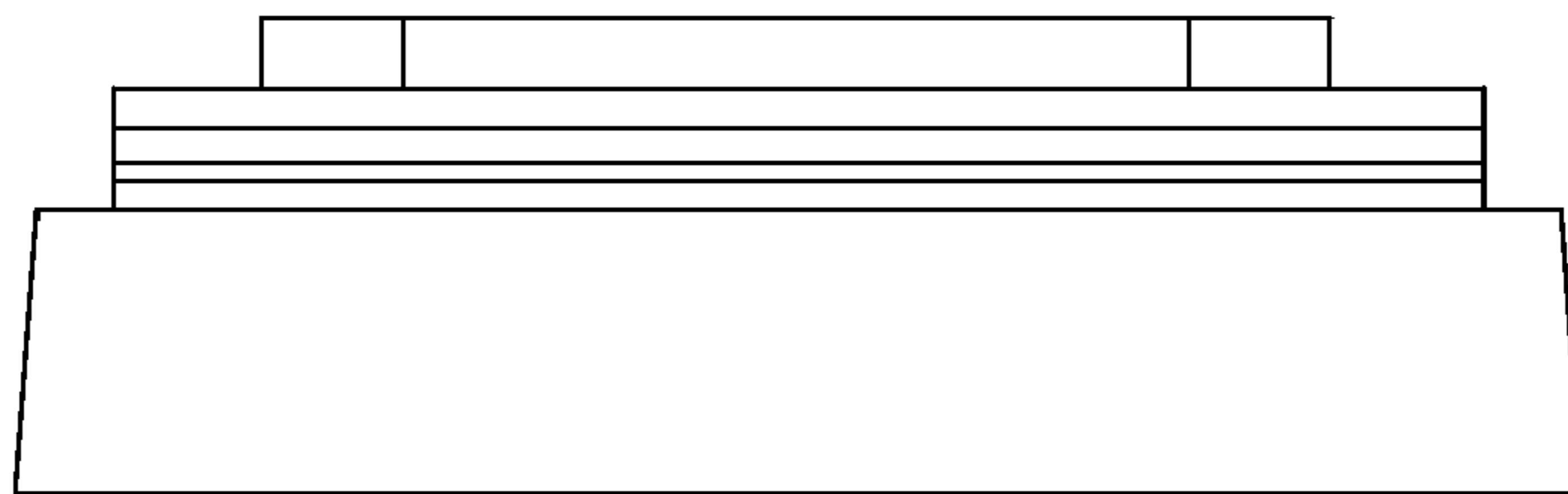


FIG. 4

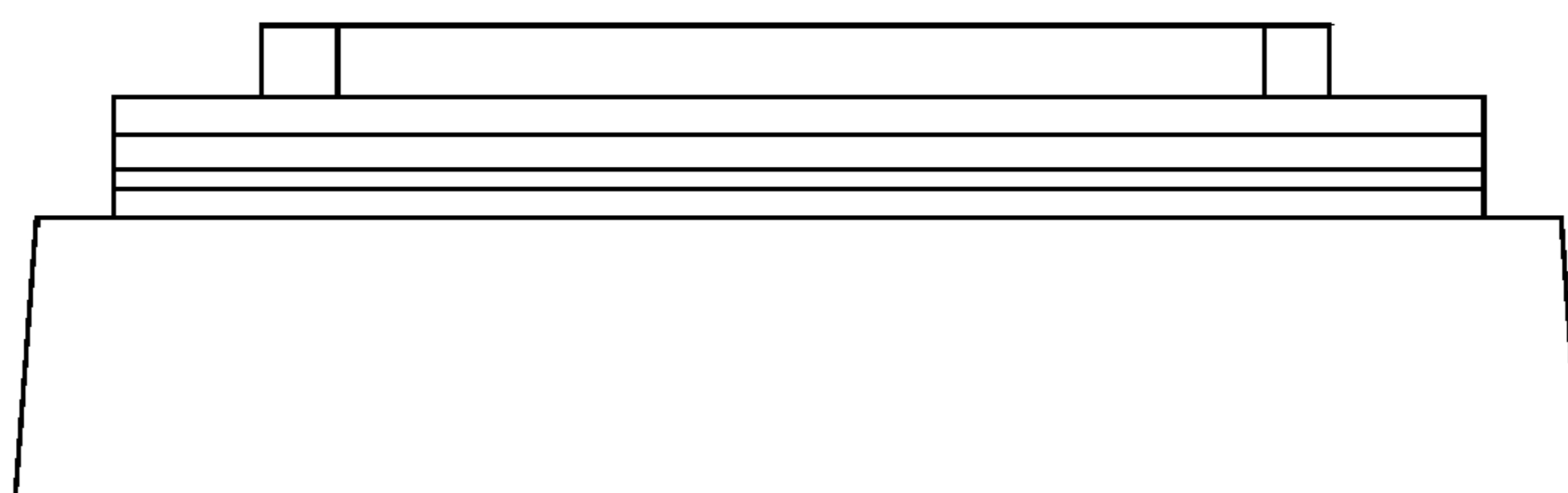


FIG. 5