



US00D606948S

(12) **United States Design Patent**
Hussell et al.

(10) **Patent No.:** **US D606,948 S**

(45) **Date of Patent:** **** *Dec. 29, 2009**

(54) **LED**

D491,538 S 6/2004 Ishida
D493,429 S 7/2004 Ishida

(75) Inventors: **Christopher Parke Hussell**, Cary, NC (US); **David Todd Emerson**, Chapel Hill, NC (US)

(Continued)

FOREIGN PATENT DOCUMENTS

(73) Assignee: **Cree, Inc.**, Durham, NC (US)

JP 1066644 1/2000

(Continued)

(**) Term: **14 Years**

OTHER PUBLICATIONS

(21) Appl. No.: **29/249,263**

SMD335K Package(2005).

(Continued)

(22) Filed: **Sep. 28, 2006**

Primary Examiner—Selina Sikder

(51) **LOC (9) Cl.** **13-03**

(52) **U.S. Cl.** **D13/180**

(58) **Field of Classification Search** D13/180;
D26/2; 257/79, 80, 81, 88, 89, 95, 98, 99,
257/100; 313/483, 498, 500; 362/555, 800
See application file for complete search history.

(74) *Attorney, Agent, or Firm*—Myers Bigel Sibley & Sajovec

(57) **CLAIM**

The ornamental design for an LED, as shown and described.

(56) **References Cited**

DESCRIPTION

U.S. PATENT DOCUMENTS

D478,877 S *	8/2003	Hoshiba	D13/182
D482,337 S	11/2003	Kamada		
D489,677 S	5/2004	Ishida		
D489,690 S	5/2004	Ishida		
D489,691 S	5/2004	Ishida		
D489,692 S	5/2004	Ishida		
D489,693 S	5/2004	Ishida		
D490,062 S *	5/2004	Ishida	D13/180
D490,384 S *	5/2004	Ishida	D13/180
D490,385 S *	5/2004	Ishida	D13/180
D490,386 S	5/2004	Ishida		
D490,783 S *	6/2004	Ishida	D13/180
D490,784 S	6/2004	Ishida		

FIG. 1 is a bottom front perspective view of an LED showing our design;

FIG. 2 is a front view thereof;

FIG. 3 is a bottom view thereof;

FIG. 4 is a top view thereof;

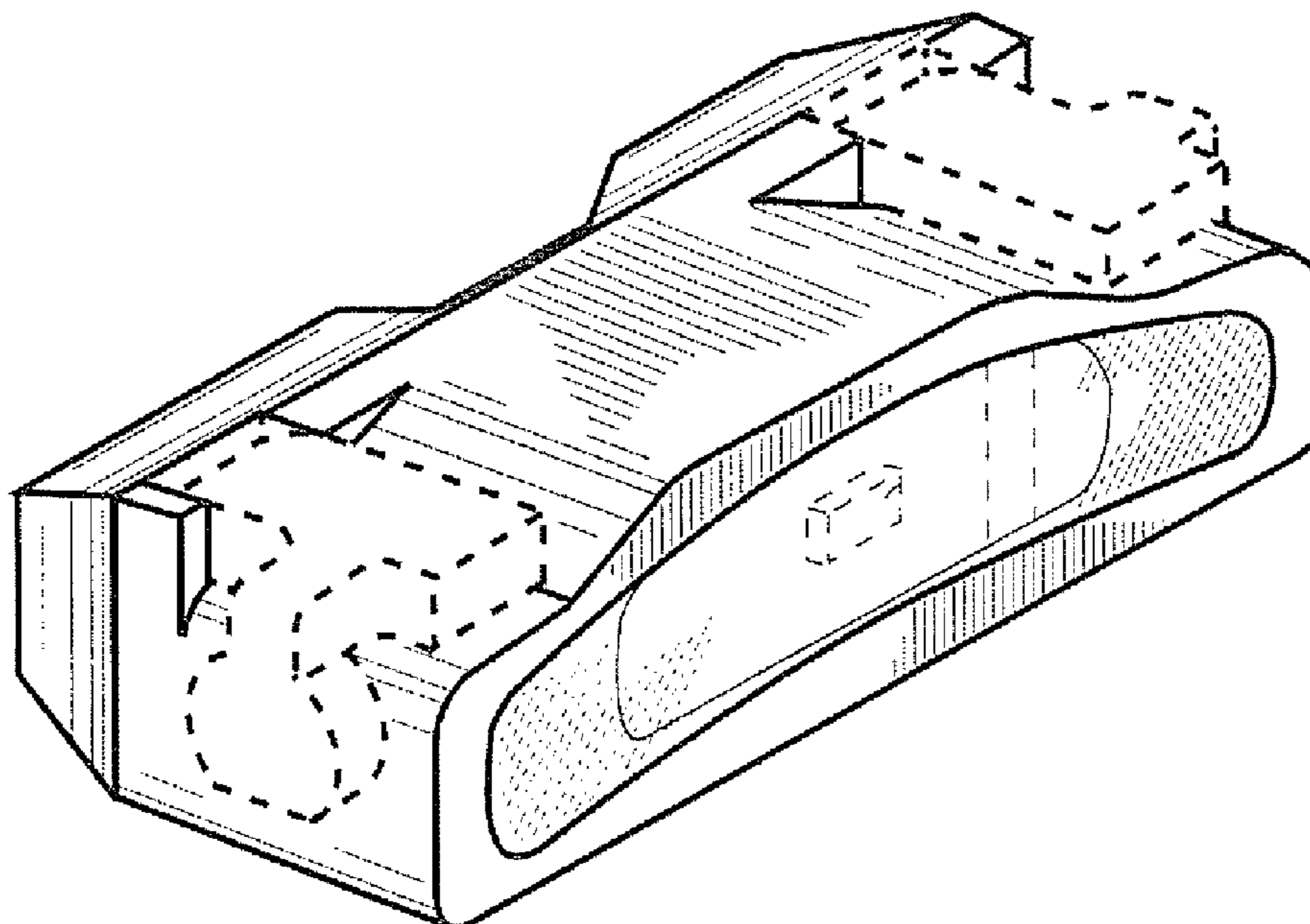
FIG. 5 is a rear view thereof;

FIG. 6 is side view thereof; and,

FIG. 7 is an opposing side view thereof.

The broken lines shown herein are for illustrative purposes only and form no part of the claimed design.

1 Claim, 2 Drawing Sheets



US D606,948 S

Page 2

U.S. PATENT DOCUMENTS

D495,667	S *	9/2004	Kim et al.	D13/180	
D496,007	S	9/2004	Hoshiba		
D497,349	S	10/2004	Hoshiba		
6,800,996	B2	10/2004	Nagai et al.		
D499,384	S	12/2004	Kamada		
D499,385	S	12/2004	Ishida		
D500,292	S	12/2004	Ishida		
D500,293	S *	12/2004	Ishida	D13/180	
D500,294	S	12/2004	Ishida		
6,841,931	B2	1/2005	Takahashi et al.		
D501,831	S	2/2005	Ishida		
D502,449	S	3/2005	Ishida		
D502,689	S	3/2005	Ishida		
D503,388	S	3/2005	Ishida		
D504,116	S	4/2005	Ishida		
D504,404	S	4/2005	Ishida		
D504,873	S	5/2005	Ishida		
D506,449	S	6/2005	Hoshiba		
D507,782	S	7/2005	Ishida		
D508,233	S	8/2005	Kasae et al.		
D508,468	S	8/2005	Ishida		
D509,196	S	9/2005	Kamada		
D509,487	S	9/2005	Ishida		
D509,488	S	9/2005	Ishida		
D509,807	S	9/2005	Ishida		
D510,326	S	10/2005	Ishida		
6,953,952	B2 *	10/2005	Asakawa	257/103	
D511,147	S	11/2005	Suenaga		
D511,148	S	11/2005	Ishida		
D512,031	S	11/2005	Ishida		
D515,044	S	2/2006	Ishida		
D516,527	S	3/2006	Kamada		
7,009,285	B2 *	3/2006	Su et al.	257/680	
D518,449	S	4/2006	Ishida		
D519,943	S	5/2006	Kamada		
D527,352	S	8/2006	Wu et al.		
D529,451	S *	10/2006	Kim et al.	D13/180	
D533,146	S *	12/2006	Wu et al.	D13/180	
2005/0121688	A1 *	6/2005	Nagai et al.	257/99	
2006/0023451	A1 *	2/2006	Han et al.	362/249	
2007/0246729	A1 *	10/2007	Park	257/99	

JP	1150366	6/2002
JP	1150522	6/2002
JP	1150817	11/2002
JP	1163901	11/2002
JP	1164214	11/2002
JP	1164215	11/2002
JP	1164216	11/2002
JP	1164217	11/2002
JP	1164218	11/2002
JP	1164988	12/2002
JP	1164989	12/2002
JP	1167668	1/2003
JP	1168086	1/2003
JP	1168087	1/2003
JP	1170087	2/2003
JP	1170089	2/2003
JP	1170090	2/2003
JP	1170881	2/2003
JP	1170883	2/2003
JP	1170884	2/2003
JP	1170885	2/2003
JP	1170886	2/2003
JP	1171193	2/2003
JP	1171194	2/2003
JP	1171195	2/2003
JP	1171196	2/2003
JP	1171207	2/2003
JP	1171213	2/2003
JP	1171707	2/2003
JP	1171708	2/2003
JP	1171709	2/2003
JP	1171710	2/2003
JP	1171719	2/2003
JP	1171720	2/2003
JP	1171979	3/2003
JP	1171980	3/2003
JP	1172383	3/2003
JP	1172384	3/2003
JP	1172385	3/2003
JP	1172386	3/2003
JP	1172954	3/2003
JP	1175163	4/2003
JP	1175164	4/2003
JP	1175165	4/2003
JP	1175166	4/2003
JP	1176631	4/2003
JP	1177057	4/2003
JP	1177154	4/2003
JP	1177155	4/2003
JP	1177238	4/2003
JP	1177239	4/2003
JP	1181897	6/2003
JP	1181898	6/2003
JP	1181899	6/2003
JP	1183377	7/2003
JP	1197740	1/2004
JP	1197741	1/2004
JP	1197750	1/2004
JP	1197751	1/2004
JP	1197752	1/2004

FOREIGN PATENT DOCUMENTS

JP	1066644-001	1/2000
JP	1066644-002	1/2000
JP	1046447-003	4/2000
JP	1077515	4/2000
JP	1095890	10/2000
JP	1095891	10/2000
JP	1106839	2/2001
JP	1106840	2/2001
JP	1106536	4/2001
JP	1111619	4/2001
JP	1111620	4/2001
JP	1111621	4/2001
JP	1111622	4/2001
JP	1112059	4/2001
JP	1112060	4/2001
JP	1112061	4/2001
JP	1112063	4/2001
JP	1112064	4/2001
JP	1112065	4/2001
JP	1113779	4/2001
JP	1112062	6/2001
JP	1130123	11/2001
JP	1144883	4/2002
JP	1145648	5/2002
JP	1146350	5/2002
JP	1149468	6/2002
JP	1149469	6/2002

OTHER PUBLICATIONS

U.S. Appl. No. 29/276,271, filed Jan. 19, 2007, Cree.
Cree introduces its first packaged LED product, LEDs Magazine, Oct. 2004, pp. 1-2.

U.S. Appl. No. 29/249,263, Sep. 28, 2006, Huessell.
 Nichia Press Release, "Summary of Patent Infringement Assessment Report," http://www.nichia.co.jp/about_nichia/2006/2006_021702.html, May 27, 2008 (3 sheets).

Nichia Press Release, "Nichia Asserts Design Patents Against Seoul Semiconductor," http://www.nichia.co.jp/about_nichia/2006/2006_011601.html, May 27, 2008 (3 sheets).

US D606,948 S

Page 3

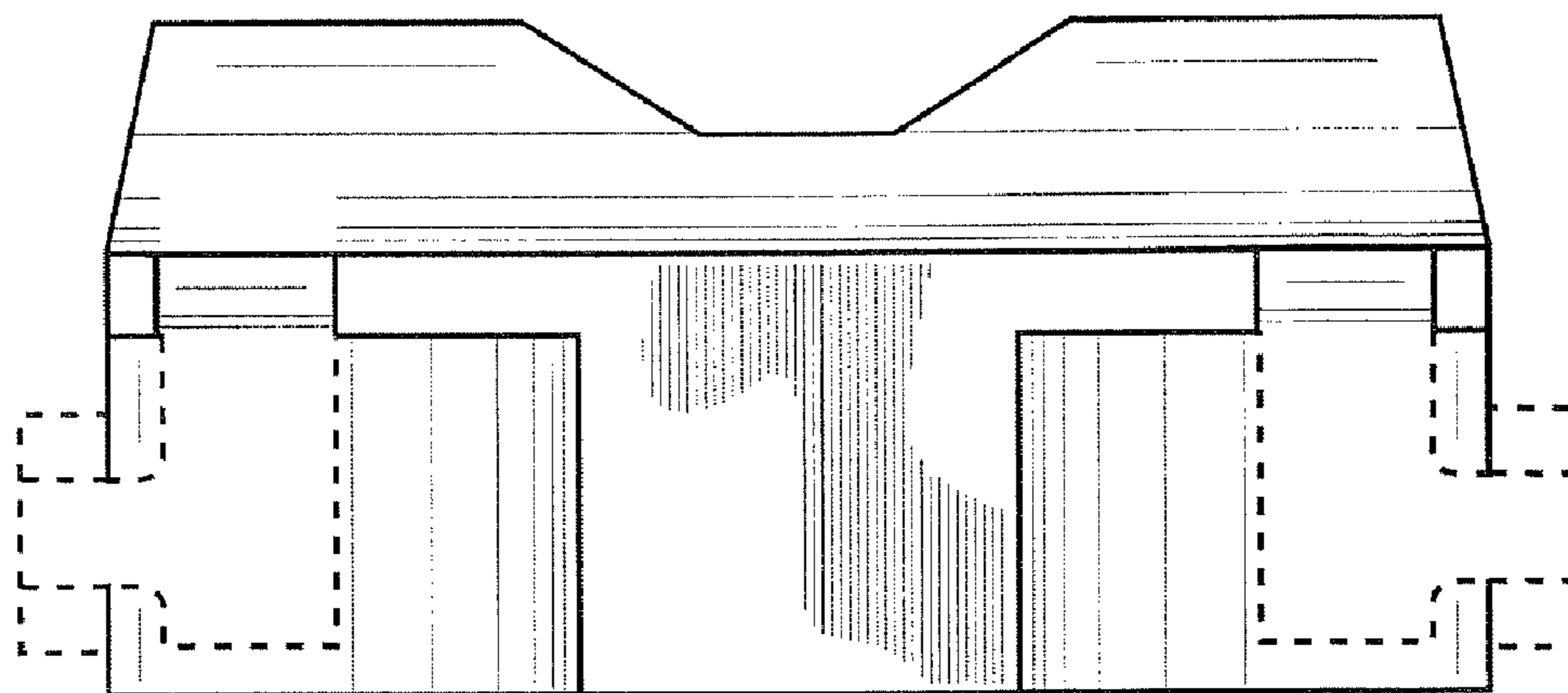
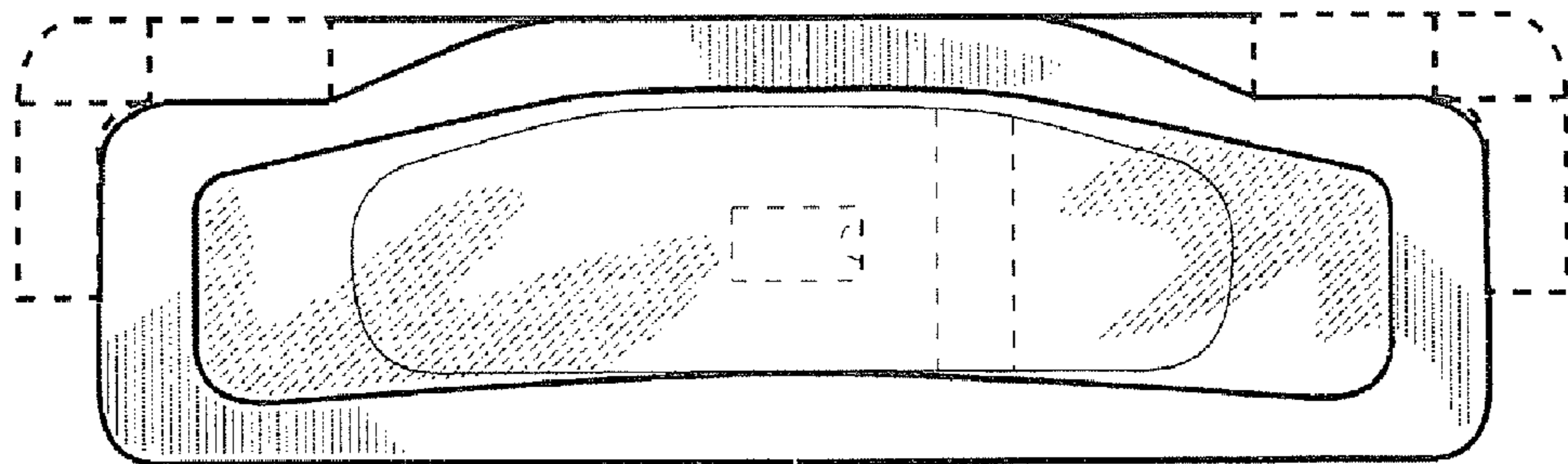
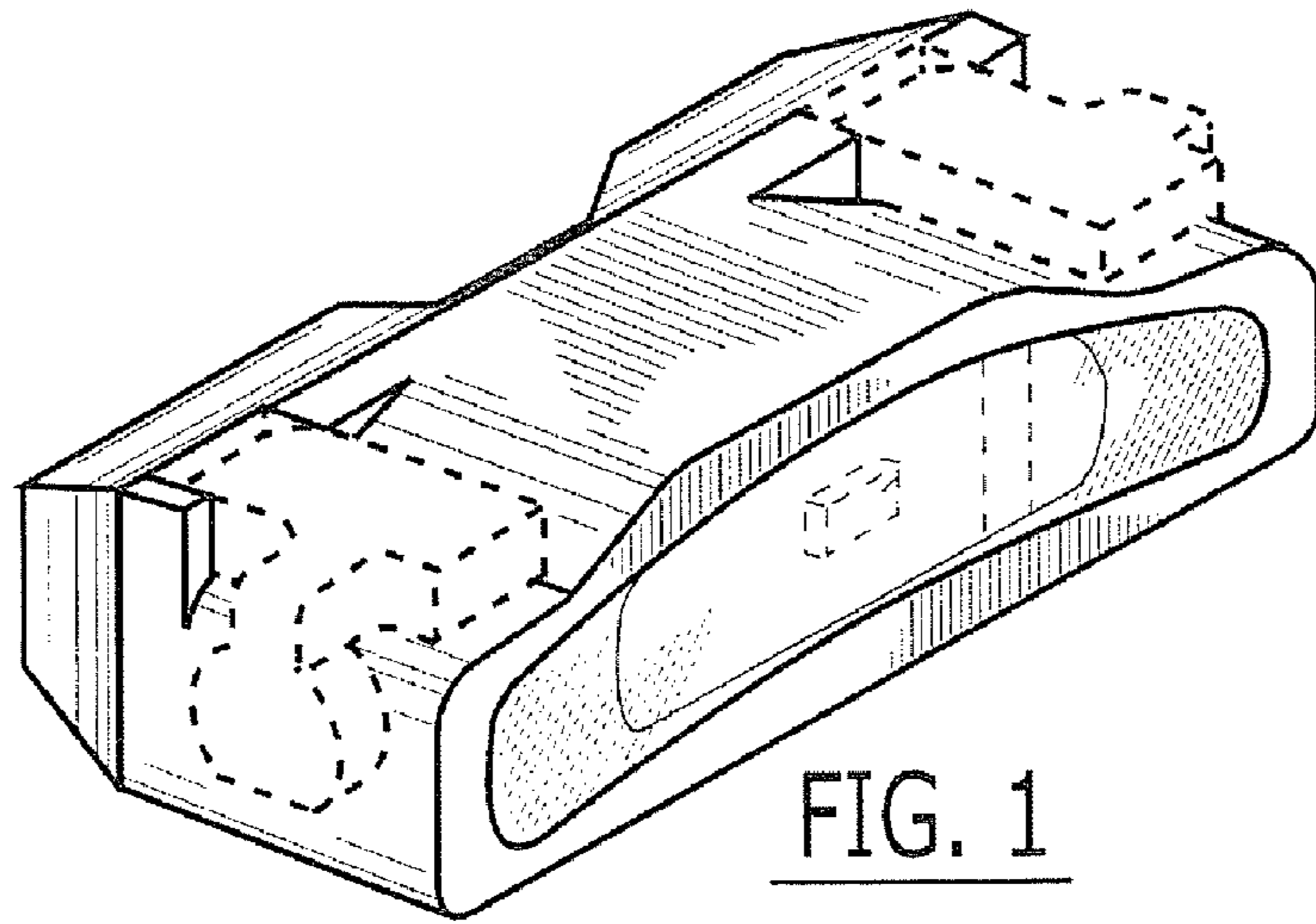
Product Specification for Nichia Chip Type White LED, Model NSCW335T; <http://www.nichia.com/product/led-smd-sideview.html>, Aug. 29, 2006 (15 sheets).

Product Specification for Nichia Chip Type White LED, Model NESW008BT; <http://www.nichia.com/product/led-smd-sideview.html>, Aug. 29, 2006 (15 sheets).

Product Specification for Nichia Chip Type White LED, Model NSSW020AT; <http://www.nichia.com/product/led-smd-sideview.html>, Aug. 29, 2006 (15 sheets).

Digital Images of Packages, e.g., SMD335K and Nichia and Stanley Packages (believed to be commercially available prior to Sep. 28, 2006).

* cited by examiner



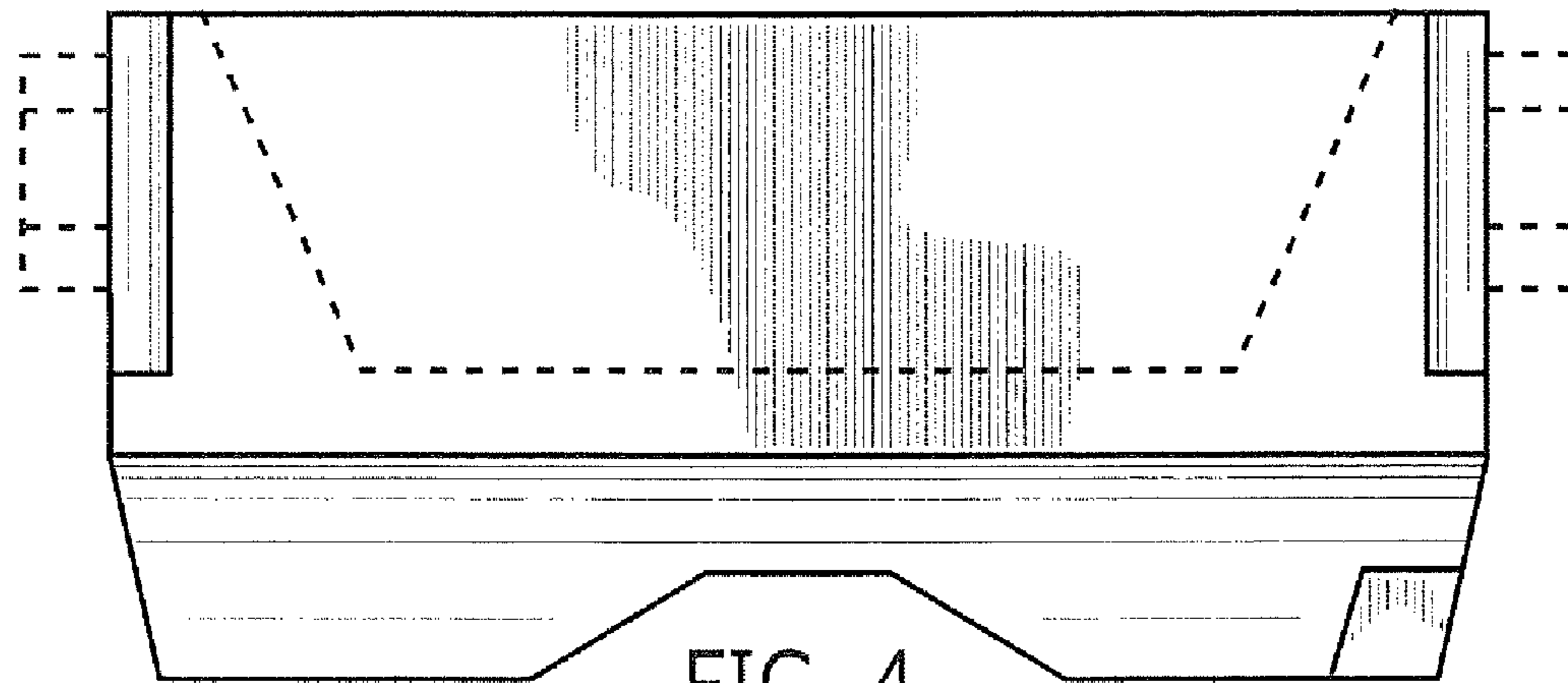


FIG. 4

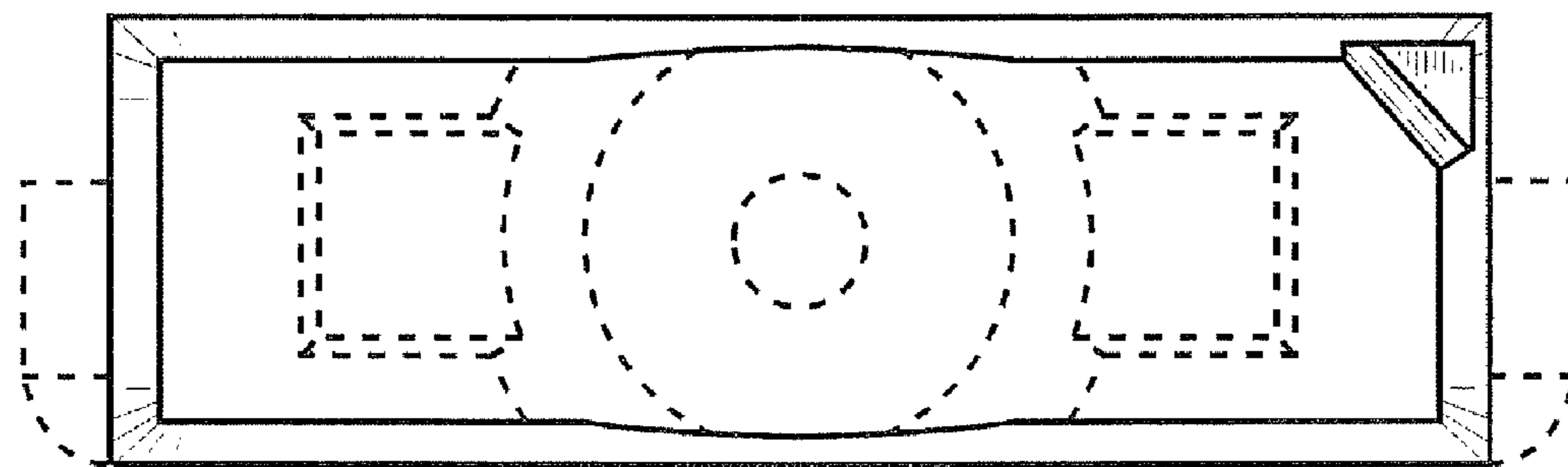


FIG. 5

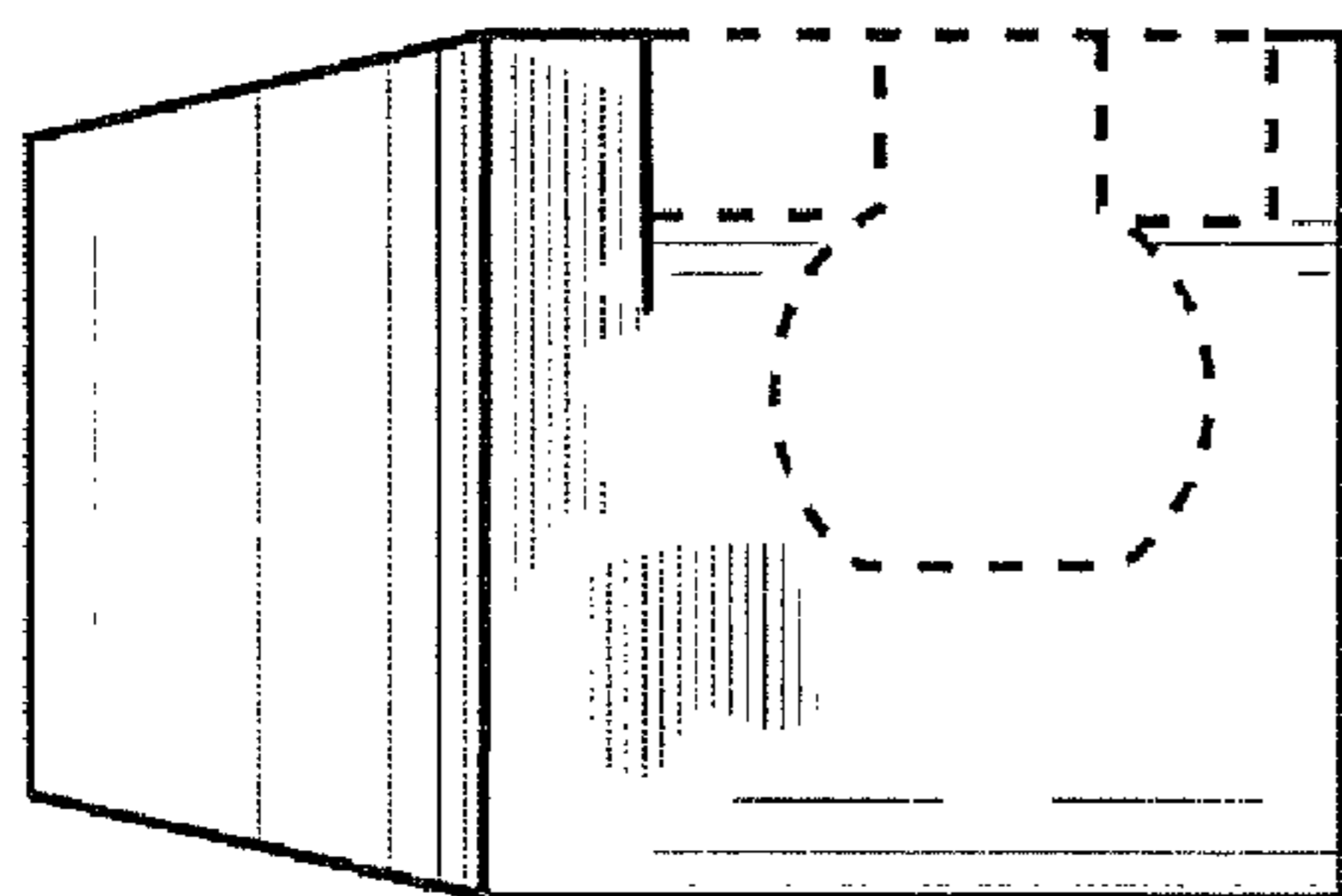


FIG. 6

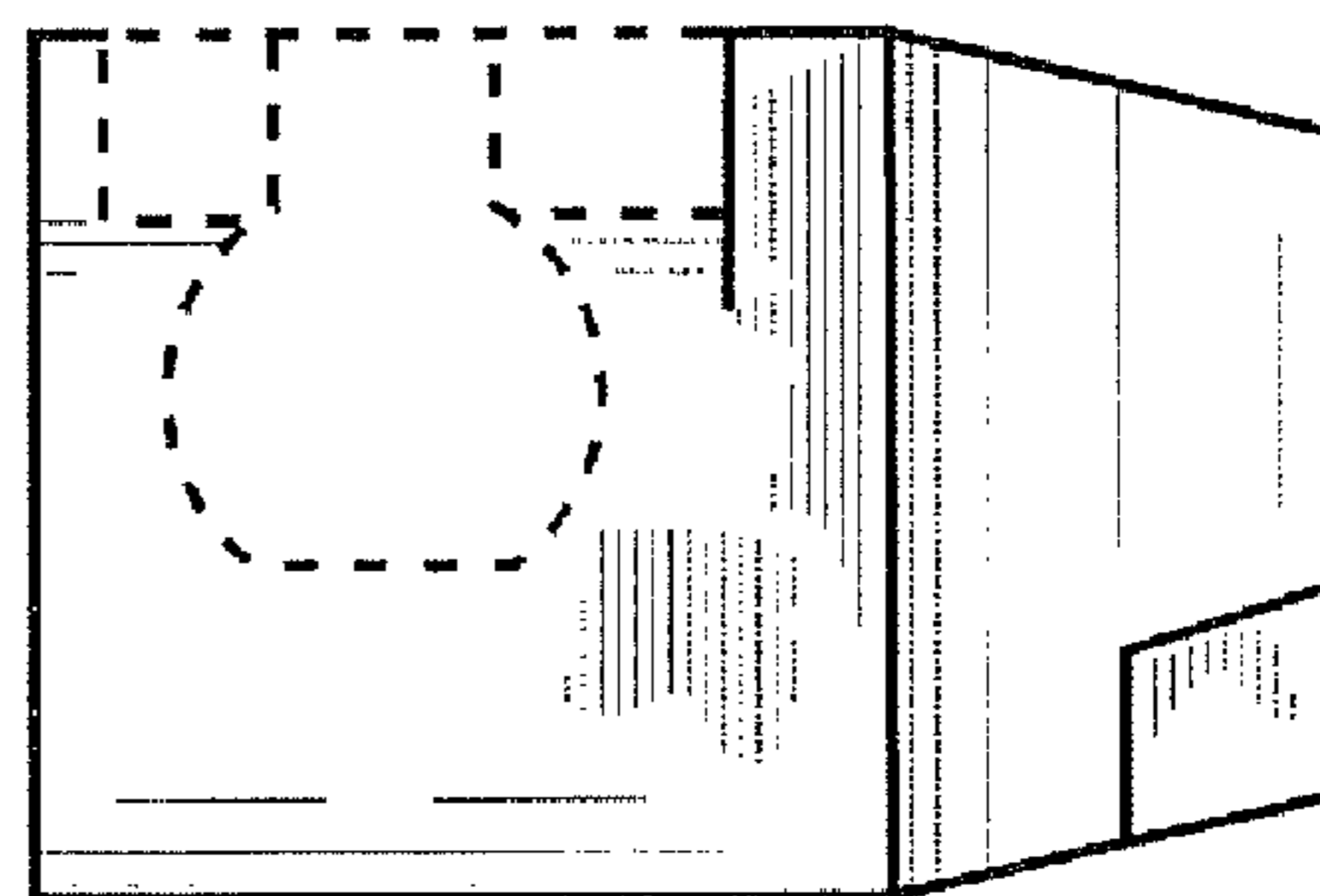


FIG. 7