

US00D606945S

(12) **United States Design Patent**
Yi et al.

(10) **Patent No.:** **US D606,945 S**

(45) **Date of Patent:** **** Dec. 29, 2009**

(54) **ELECTRICAL CONNECTOR**

(75) Inventors: **Chong Yi**, Mechanicsburg, PA (US);
Kuan-Yu Chen, Harrisburg, PA (US);
Pei Tsao, Fullerton, CA (US)

(73) Assignee: **Hon Hai Precision Ind. Co., Ltd.**,
Taipei Hsien (TW)

(**) Term: **14 Years**

(21) Appl. No.: **29/308,378**

(22) Filed: **Jun. 13, 2008**

(51) **LOC (9) Cl.** **13-03**

(52) **U.S. Cl.** **D13/154**

(58) **Field of Classification Search** D13/133,
D13/147, 154, 184; D14/256; 439/79, 108,
439/344, 607-610, 676

See application file for complete search history.

(56) **References Cited**

U.S. PATENT DOCUMENTS

D303,109 S * 8/1989 Matsuzaki et al. D13/147
D413,103 S * 8/1999 Wu D13/147
D418,109 S * 12/1999 Lok D13/133
D461,450 S * 8/2002 Cheng et al. D13/133
D522,971 S * 6/2006 Shang-Yen et al. D13/147

D592,145 S * 5/2009 Sun D13/147
2002/0142636 A1 * 10/2002 Murr et al. 439/108

* cited by examiner

Primary Examiner—Daniel D Bui

(74) *Attorney, Agent, or Firm*—Wei Te Chung; Andrew C.
Cheng; Ming Chieh Chang

(57) **CLAIM**

The ornamental design for an electrical connector, as shown
and described.

DESCRIPTION

FIG. 1 is a front, bottom and right side perspective view of an
electrical connector showing our new design;

FIG. 2 is a front elevational view thereof;

FIG. 3 is a rear elevational view thereof;

FIG. 4 is a left side elevational view thereof;

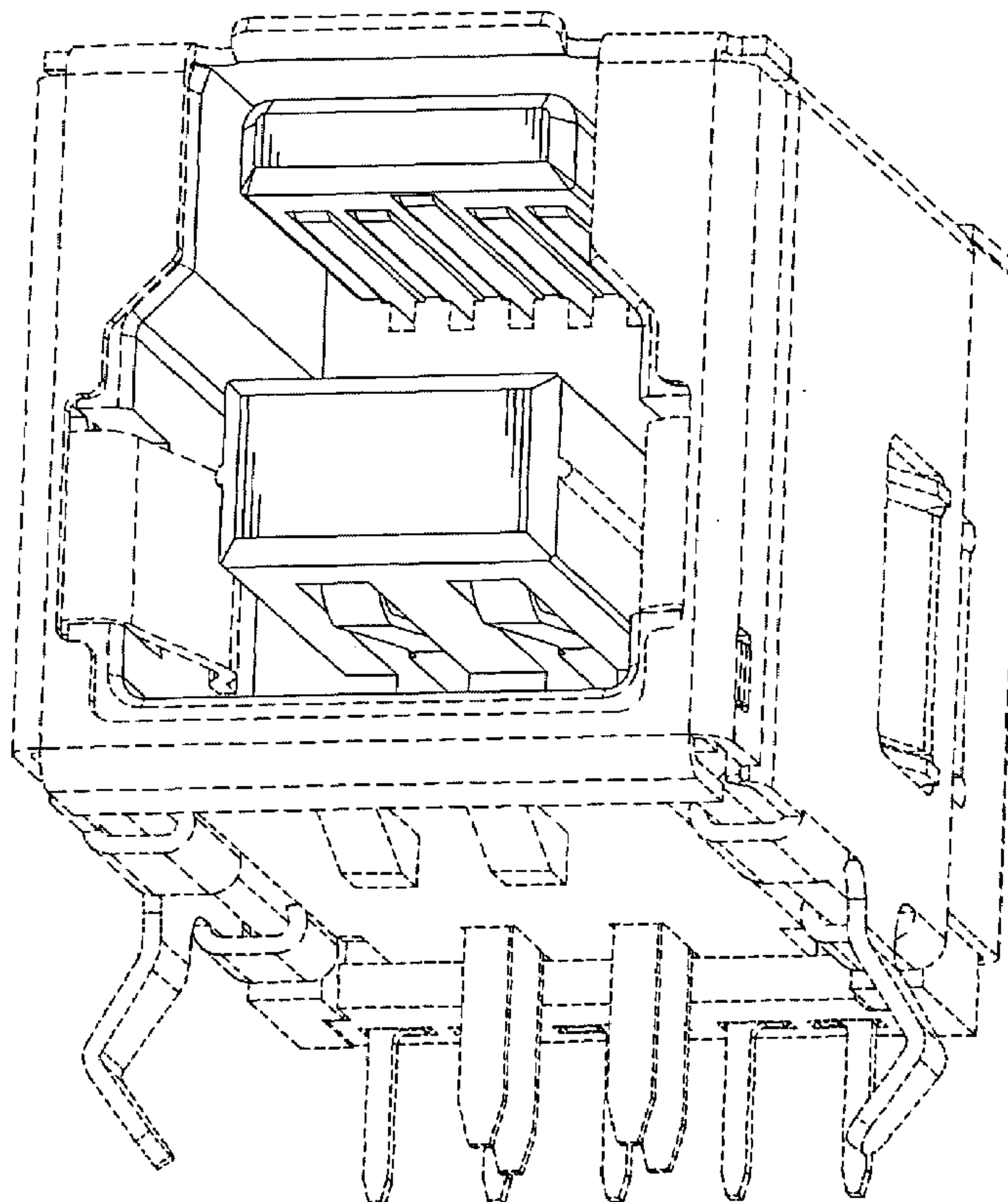
FIG. 5 is a right side elevational view thereof;

FIG. 6 is a top plan view thereof; and,

FIG. 7 is a bottom plan view thereof.

The broken line portion in the drawing views is included to
show unclaimed subject matter only and forms no part of the
claimed design.

1 Claim, 7 Drawing Sheets



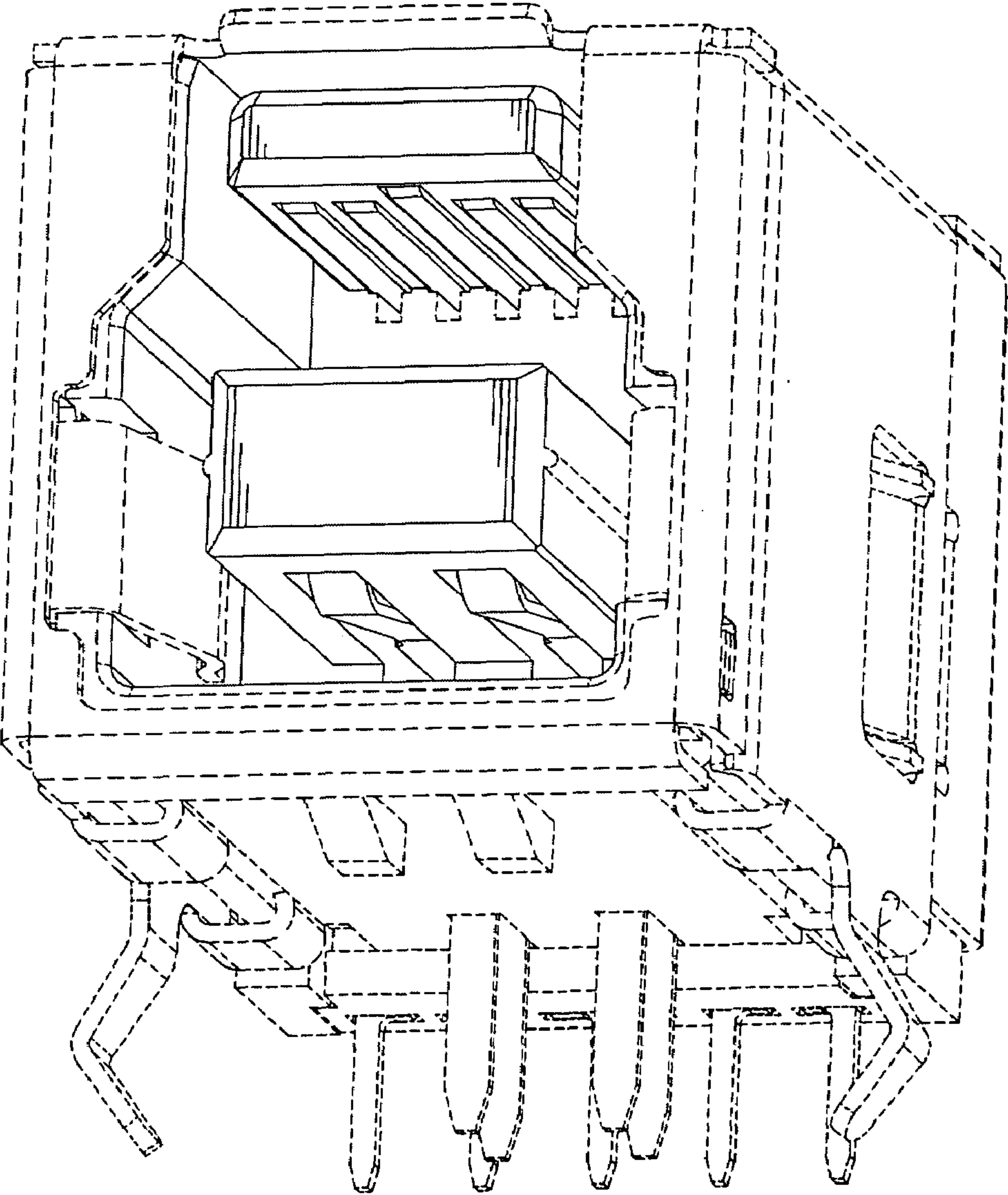


FIG. 1

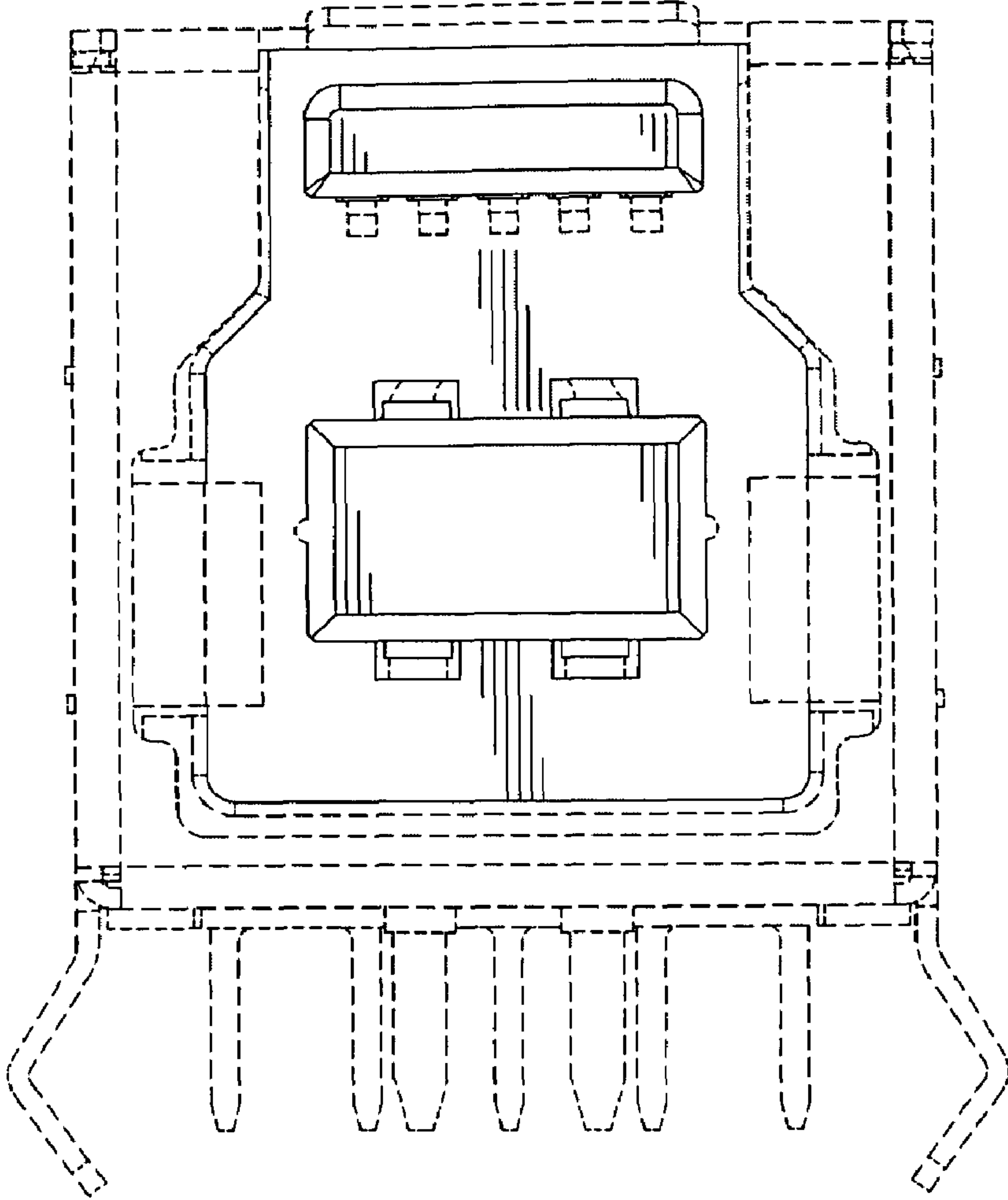


FIG. 2

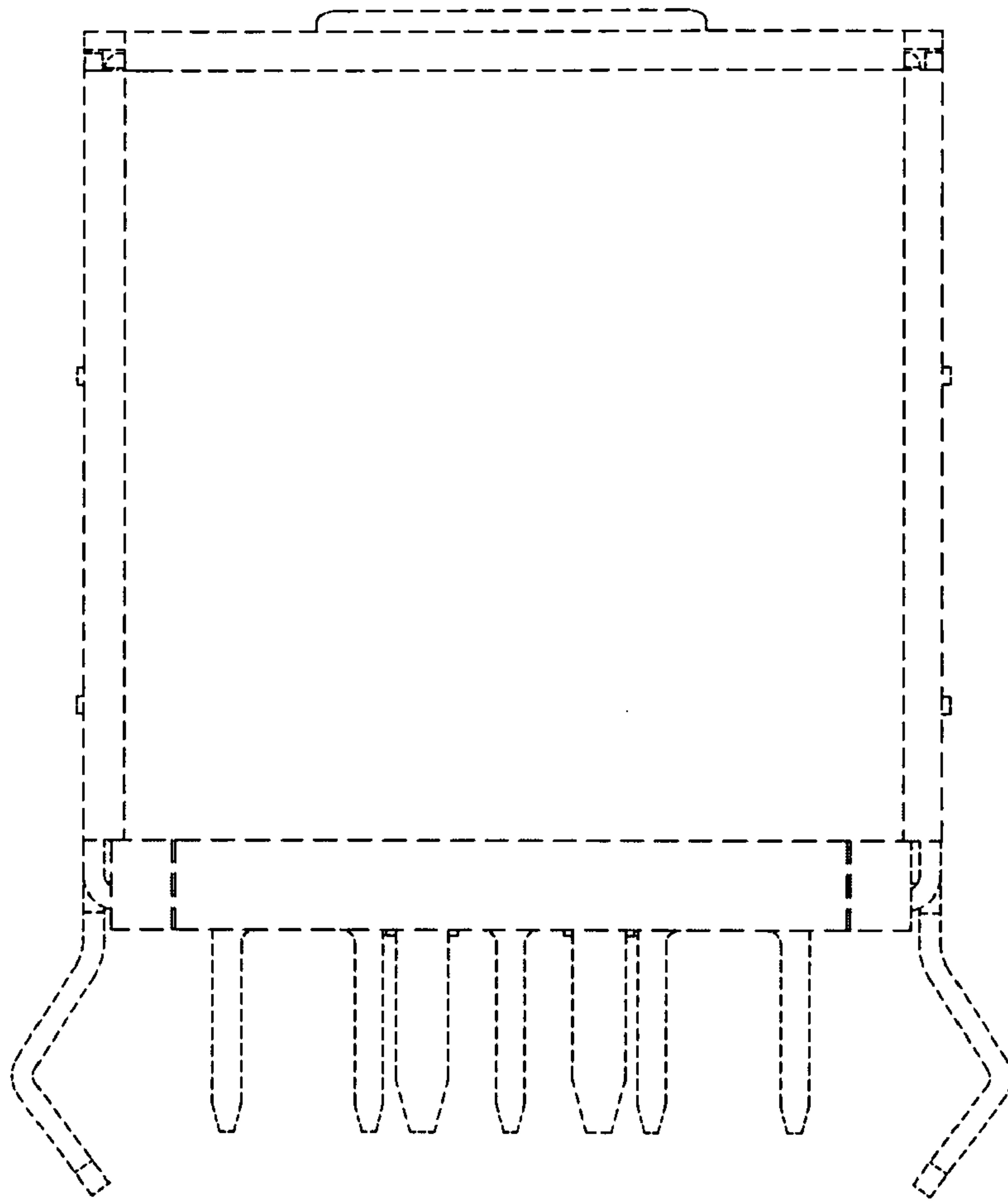


FIG. 3

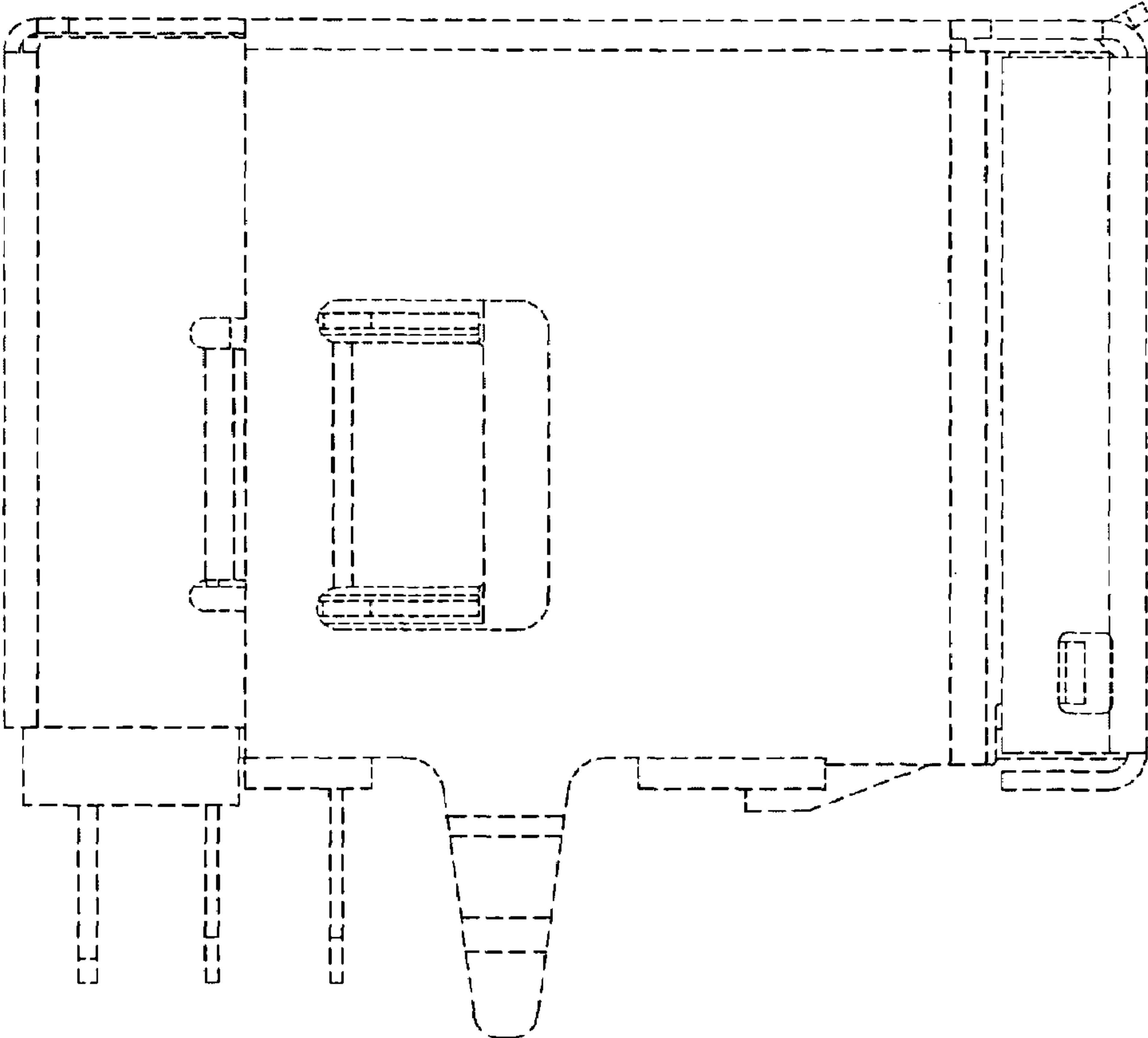


FIG. 4

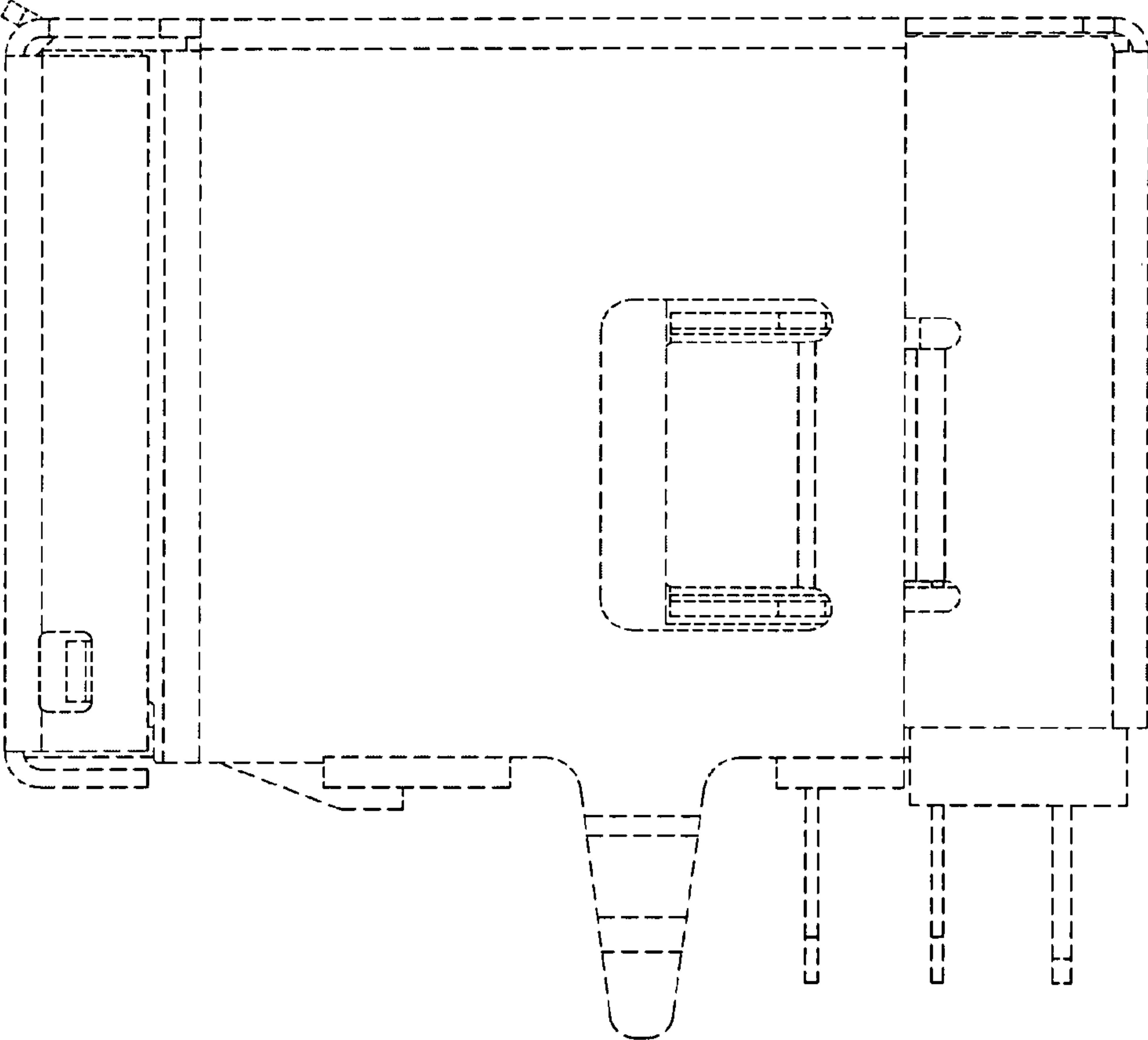


FIG. 5

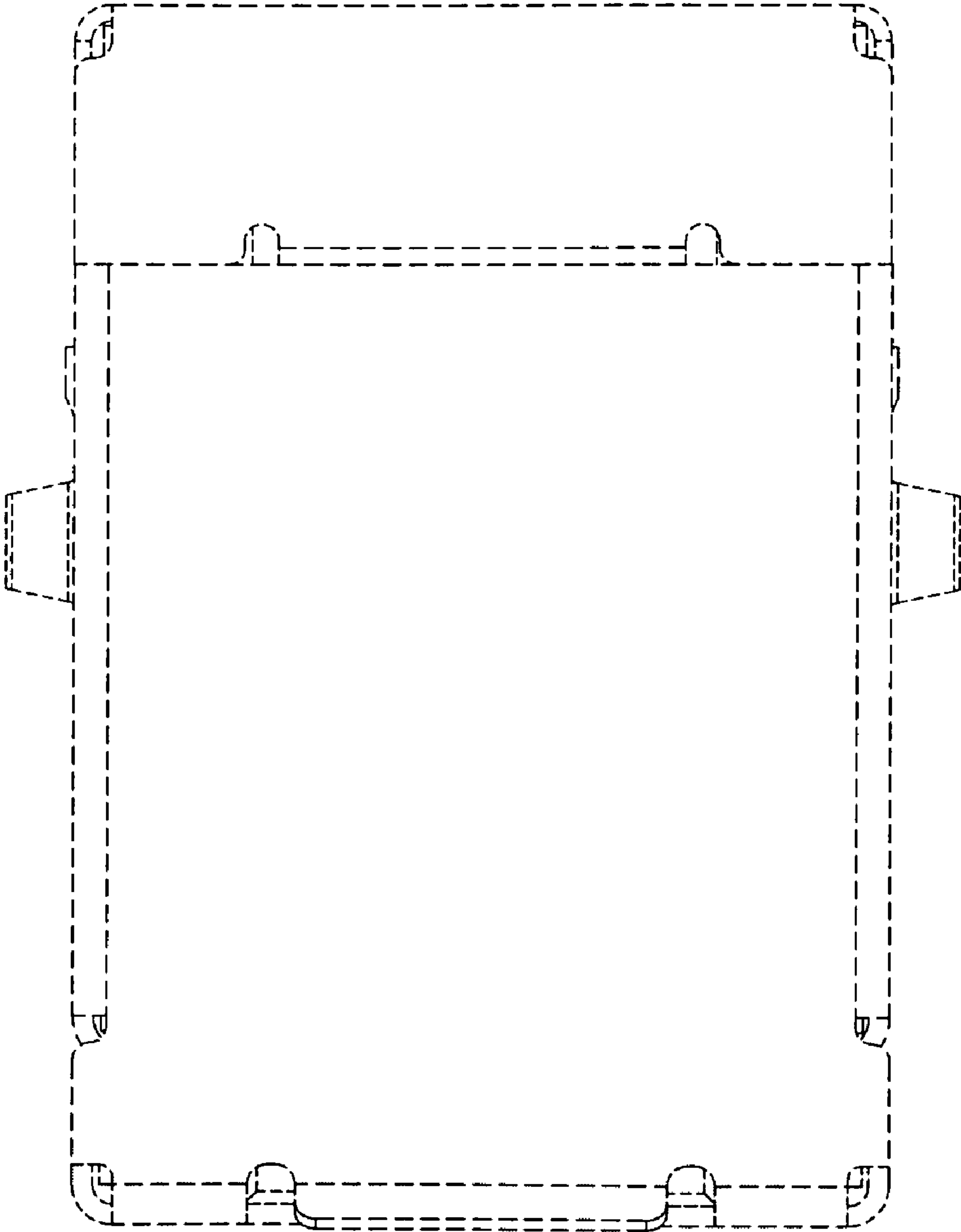


FIG. 6

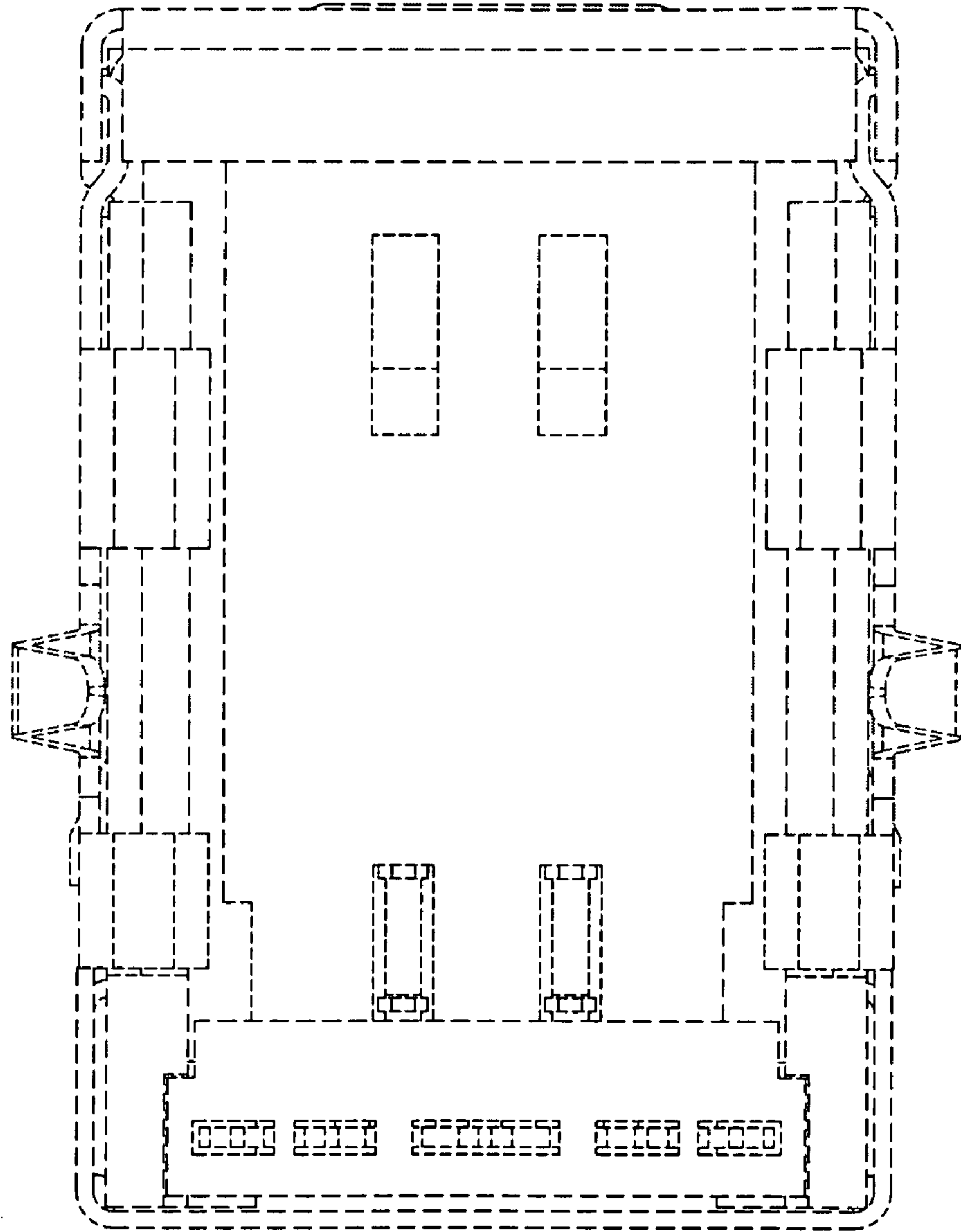


FIG. 7