



US00D606943S

(12) **United States Design Patent**  
**Ohshima et al.**

(10) **Patent No.:** **US D606,943 S**

(45) **Date of Patent:** **\*\* Dec. 29, 2009**

(54) **FEMALE TYPE ELECTRICAL CONNECTOR**

(75) Inventors: **Shinobu Ohshima**, Tokyo (JP); **Taku Kawano**, Tokyo (JP)

(73) Assignee: **Honda Tsushin Kogyo Co., Ltd.**, Tokyo (JP)

(\*\*) Term: **14 Years**

(21) Appl. No.: **29/340,014**

(22) Filed: **Jul. 13, 2009**

(30) **Foreign Application Priority Data**

Mar. 4, 2009 (JP) ..... D2009-004768

(51) **LOC (9) Cl.** ..... **13-03**

(52) **U.S. Cl.** ..... **D13/147**

(58) **Field of Classification Search** ..... D13/133,  
D13/146-147, 154, 184; 439/74, 78-79,  
439/83, 108, 181, 607-610, 637-638, 660  
See application file for complete search history.

(56) **References Cited**

**U.S. PATENT DOCUMENTS**

D540,263 S \* 4/2007 Kishi et al. .... D13/147

D570,289 S \* 6/2008 Obikane ..... D13/147  
D580,869 S \* 11/2008 Miyazaki ..... D13/147  
D598,863 S \* 8/2009 Hoshino et al. .... D13/147

\* cited by examiner

*Primary Examiner*—Daniel D Bui

(74) *Attorney, Agent, or Firm*—Wenderoth, Lind and Ponack, L.L.P.

(57) **CLAIM**

The ornamental design for a female type electrical connector, as shown and described.

**DESCRIPTION**

FIG. 1 is a top, front and right side perspective view of a female type electrical connector showing our new design;

FIG. 2 is a front elevational view thereof;

FIG. 3 is a rear elevational view thereof;

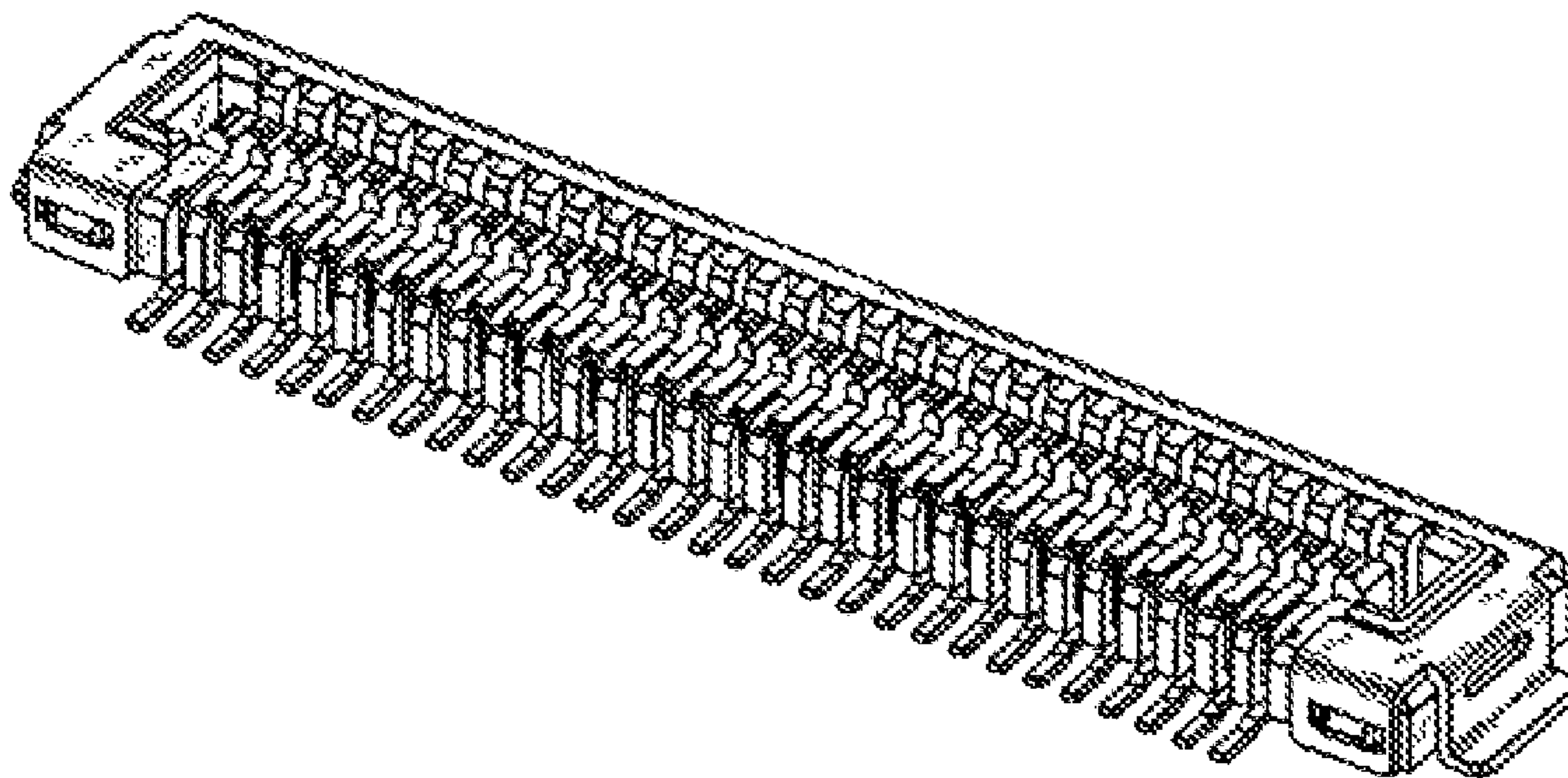
FIG. 4 is a top plan view thereof;

FIG. 5 is a bottom plan view thereof;

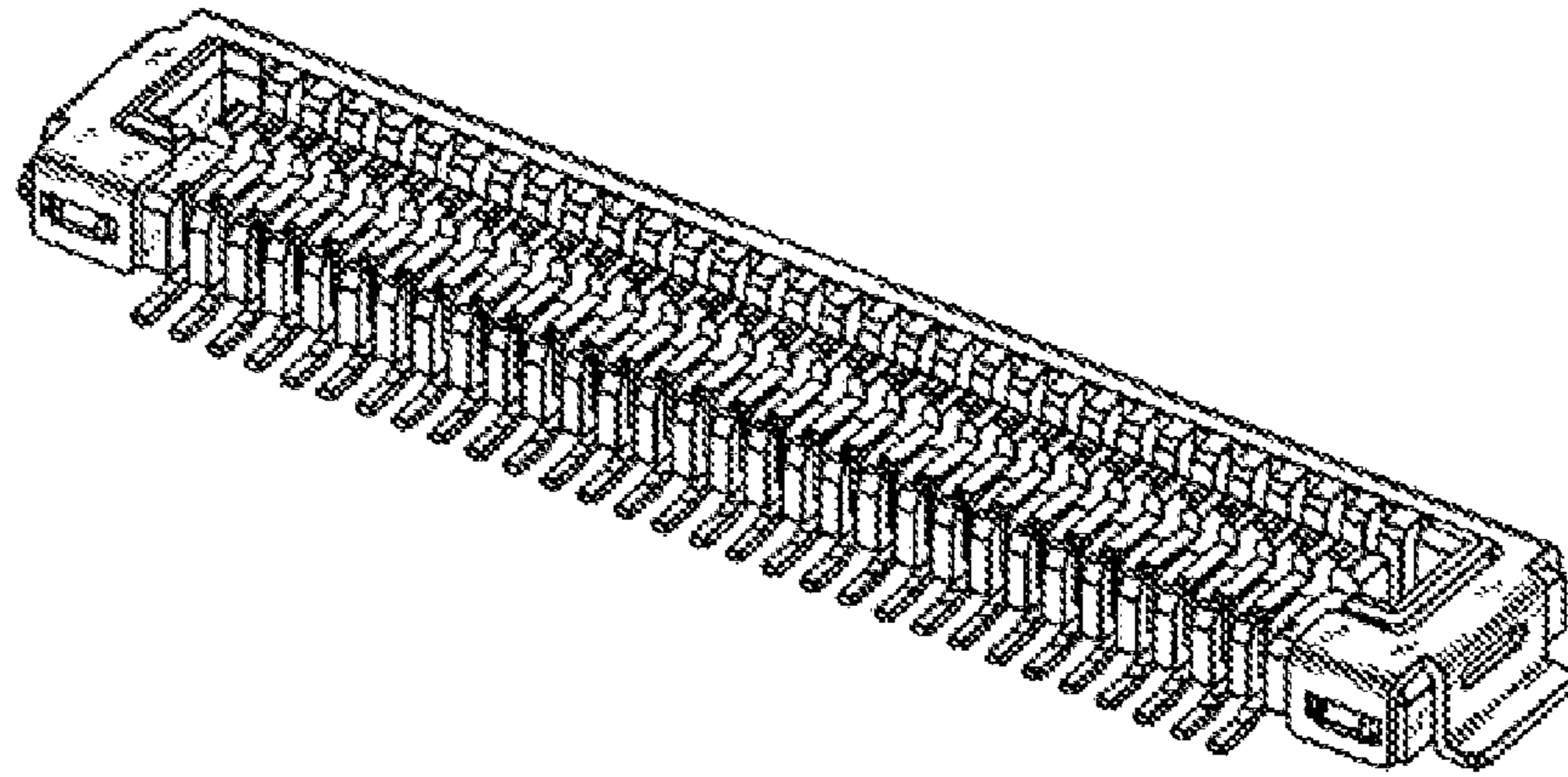
FIG. 6 is a right side elevational view thereof; and,

FIG. 7 is an enlarged cross-sectional view thereof, taken along line “7—7” in FIG. 4.

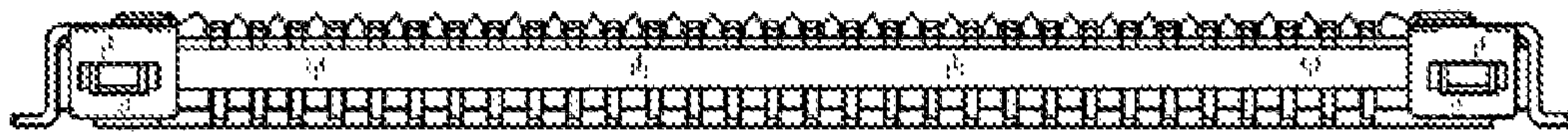
**1 Claim, 2 Drawing Sheets**



*Fig. 1*



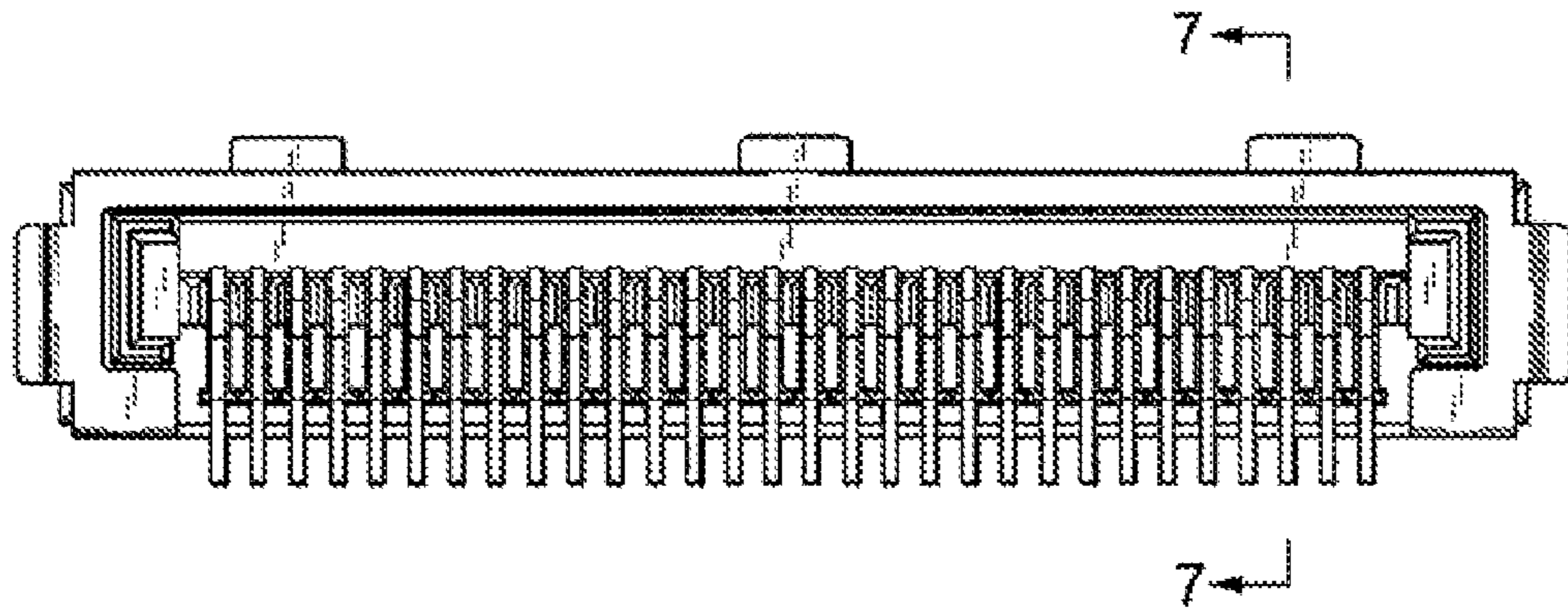
*Fig. 2*



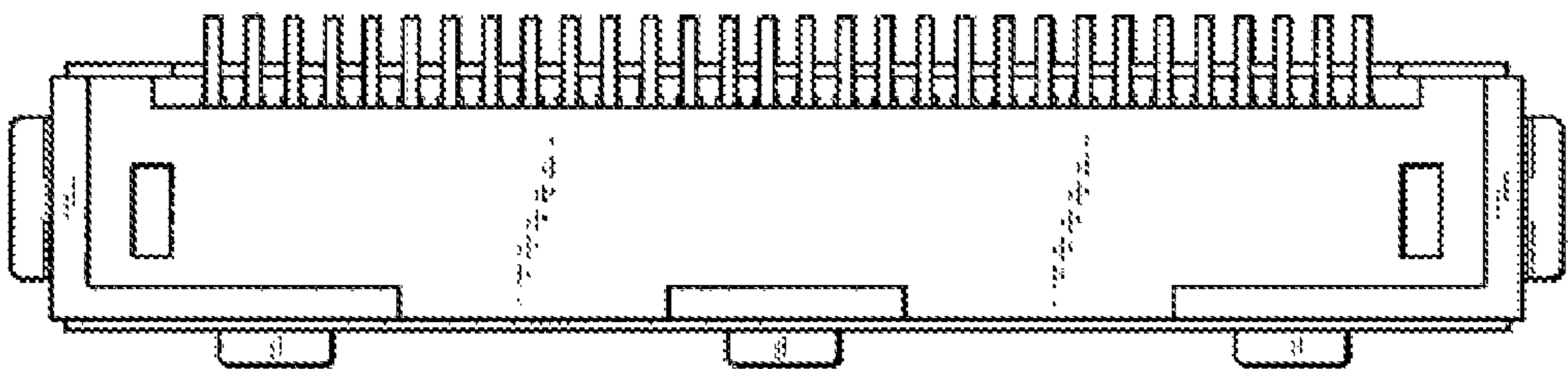
*Fig. 3*



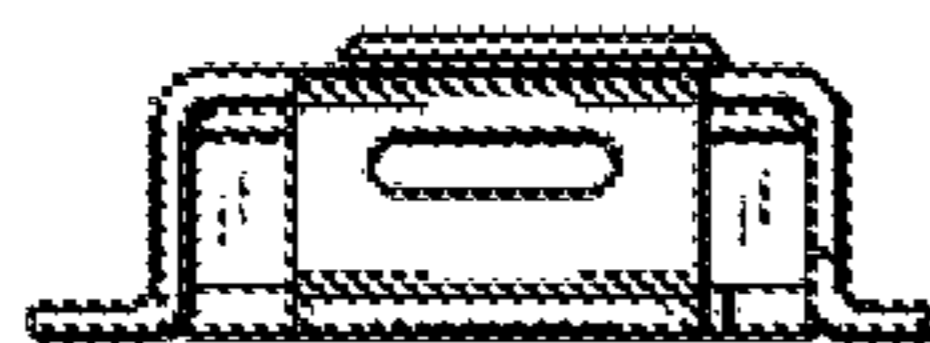
*Fig. 4*



*Fig. 5*



*Fig. 6*



*Fig. 7*

