



US00D606942S

(12) **United States Design Patent**
Ohshima et al.

(10) **Patent No.:** **US D606,942 S**
(45) **Date of Patent:** **** Dec. 29, 2009**

(54) **MALE TYPE ELECTRICAL CONNECTOR**

(75) Inventors: **Shinobu Ohshima**, Tokyo (JP); **Taku Kawano**, Tokyo (JP)

(73) Assignee: **Honda Tsushin Kogyo Co. Ltd.**, Tokyo (JP)

(**) Term: **14 Years**

(21) Appl. No.: **29/340,013**

(22) Filed: **Jul. 13, 2009**

(30) **Foreign Application Priority Data**

Mar. 4, 2009 (JP) D2009-004766

(51) **LOC (9) Cl.** **13-03**

(52) **U.S. Cl.** **D13/147**

(58) **Field of Classification Search** D13/133,
D13/146-147, 154, 184; 439/74, 78-79,
439/83, 108, 181, 607-610, 637-638, 660
See application file for complete search history.

(56) **References Cited**

U.S. PATENT DOCUMENTS

D451,884 S * 12/2001 Hisatomi et al. D13/147
D497,598 S * 10/2004 Kimura et al. D13/147

D506,442 S * 6/2005 Obikane et al. D13/147
D529,867 S * 10/2006 Fan D13/147
2004/0110398 A1 * 6/2004 Chen 439/79

* cited by examiner

Primary Examiner—Daniel D Bui

(74) *Attorney, Agent, or Firm*—Wenderoth, Lind & Ponack, L.L.P.

(57) **CLAIM**

The ornamental design for a male type electrical connector, as shown and described.

DESCRIPTION

FIG. 1 is a top, front and right side perspective view of a male type electrical connector showing our new design;
FIG. 2 is a front elevational view thereof;
FIG. 3 is a rear elevational view thereof;
FIG. 4 is a top plan view thereof;
FIG. 5 is a bottom plan view thereof;
FIG. 6 is a right side elevational view thereof; and,
FIG. 7 is a cross-sectional view thereof, taken along line "7-7" in FIG. 4.

1 Claim, 3 Drawing Sheets

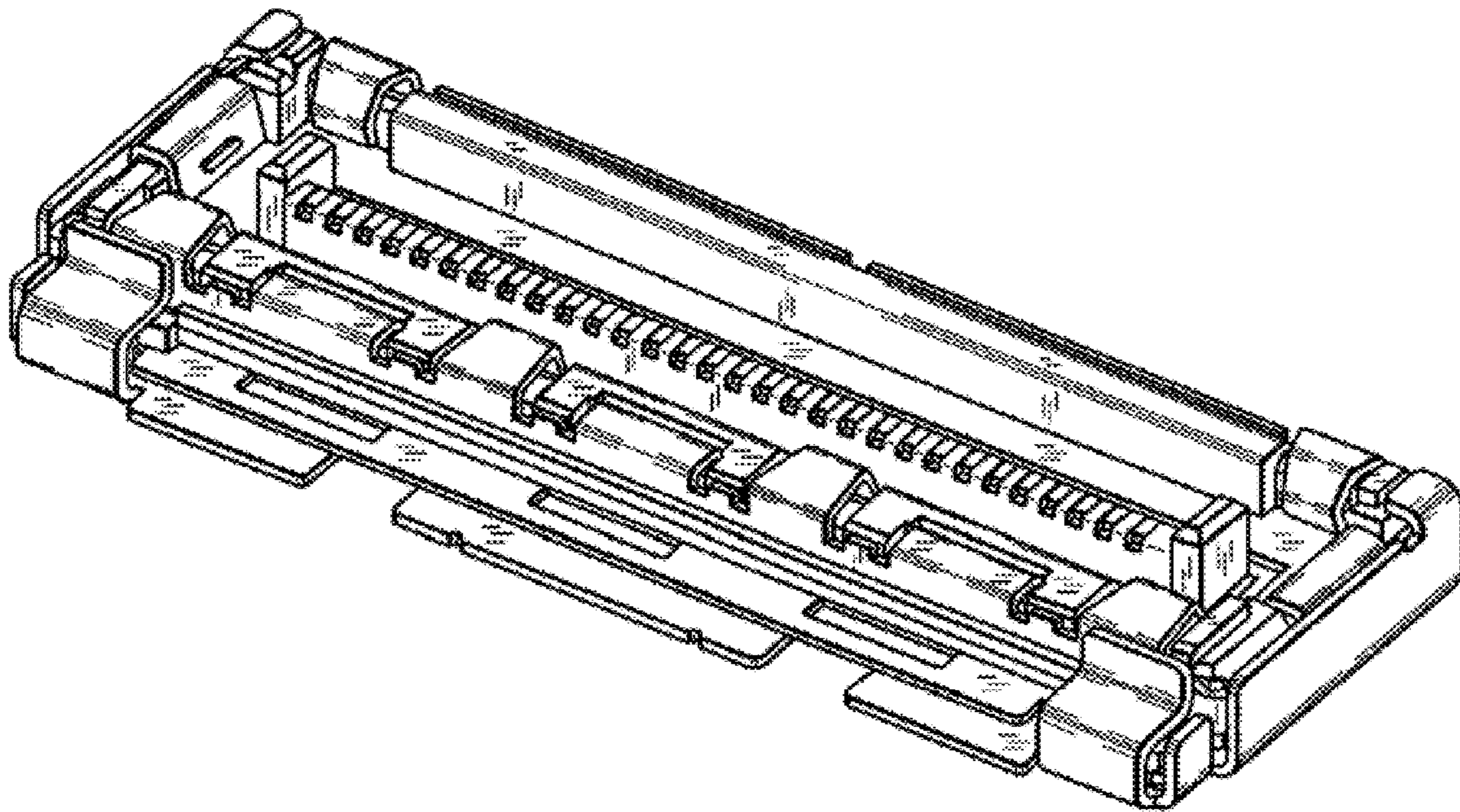


Fig. 1

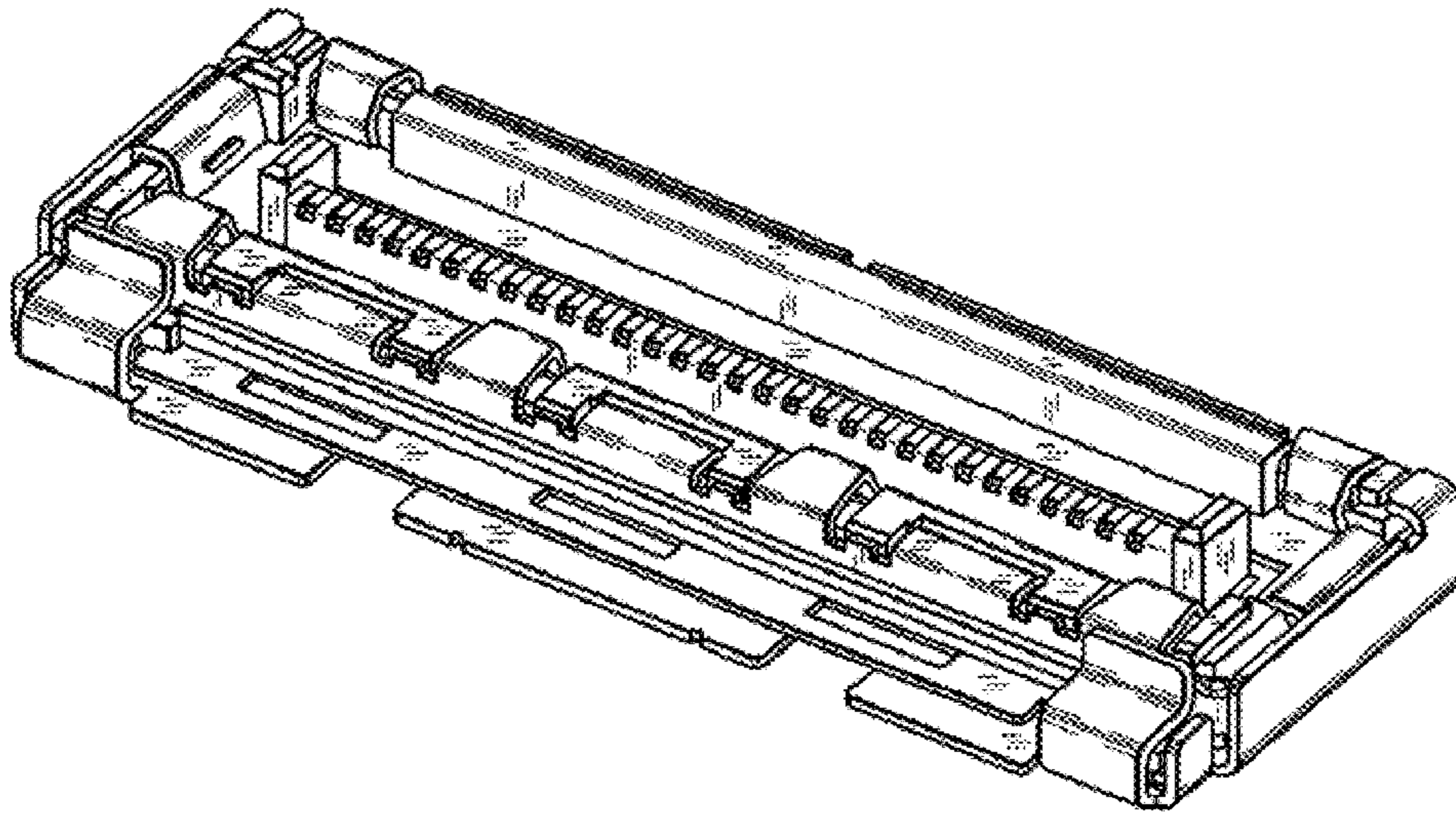


Fig. 2

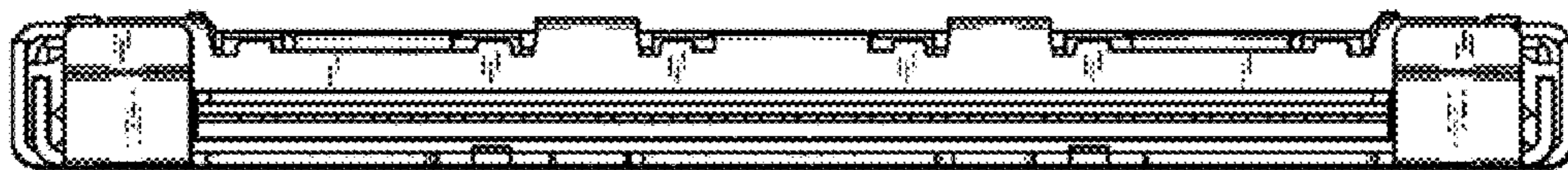


Fig. 3

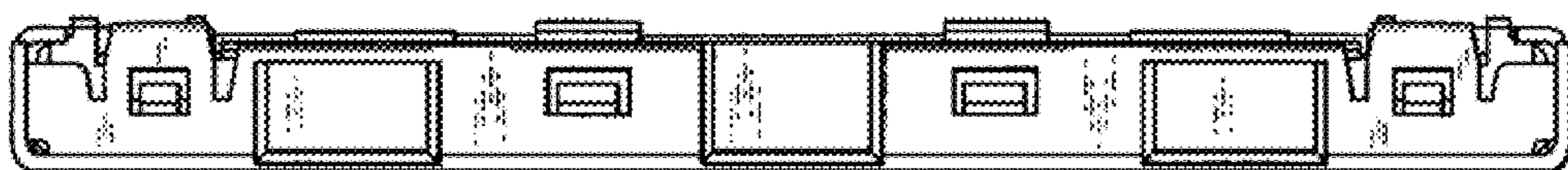


Fig. 4

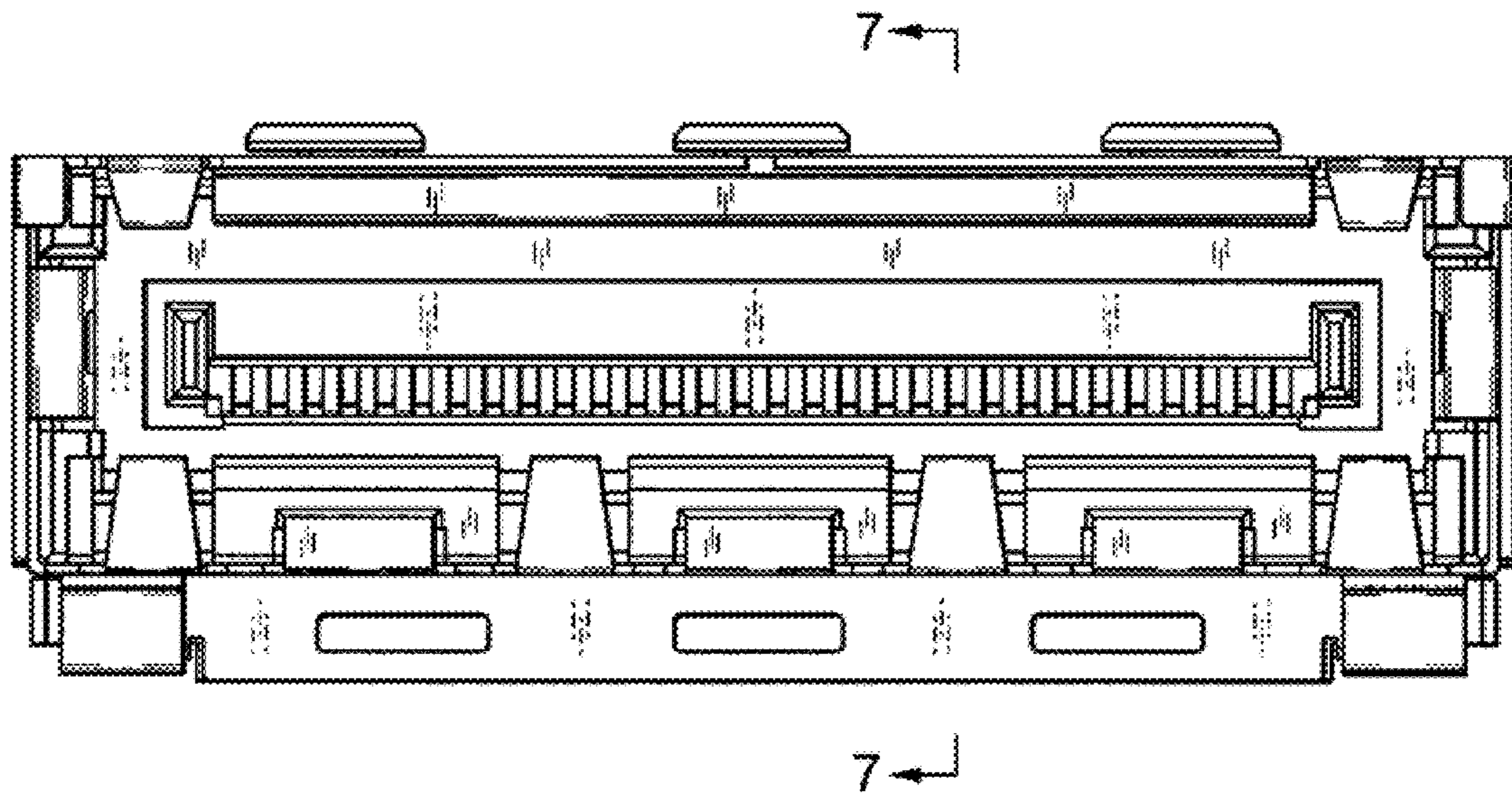


Fig. 5

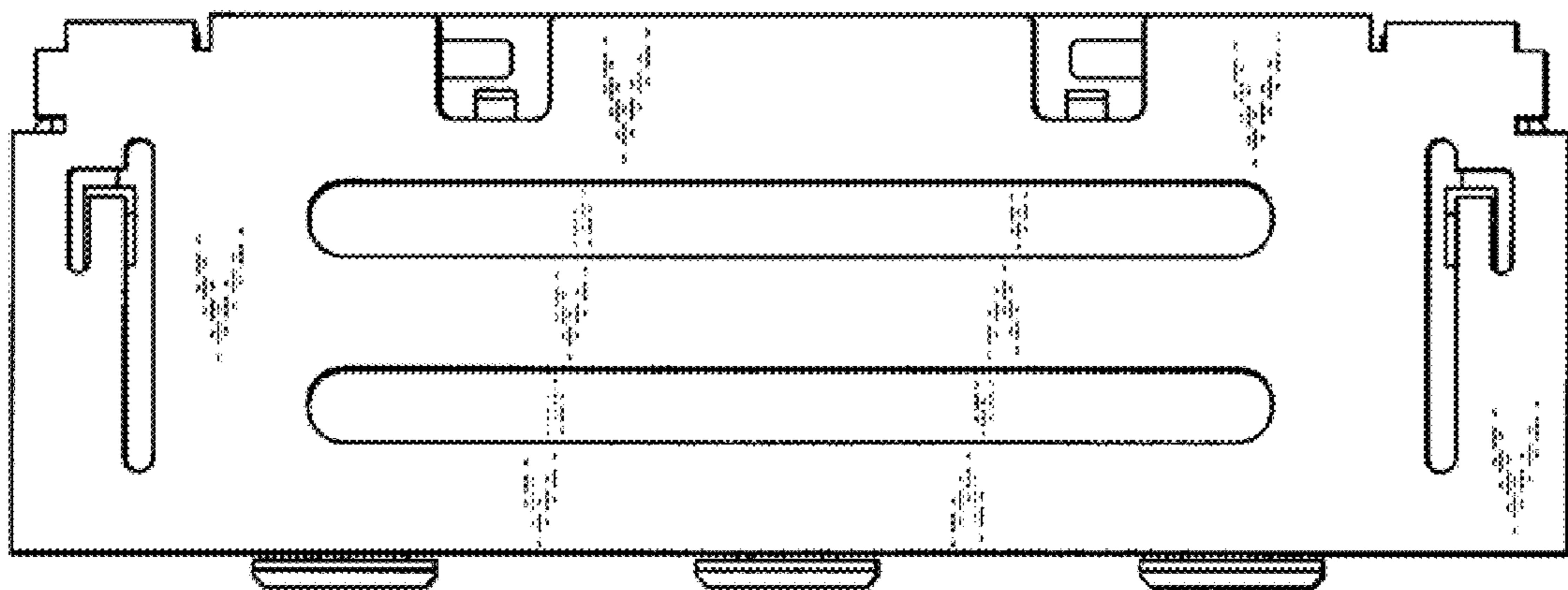


Fig. 6

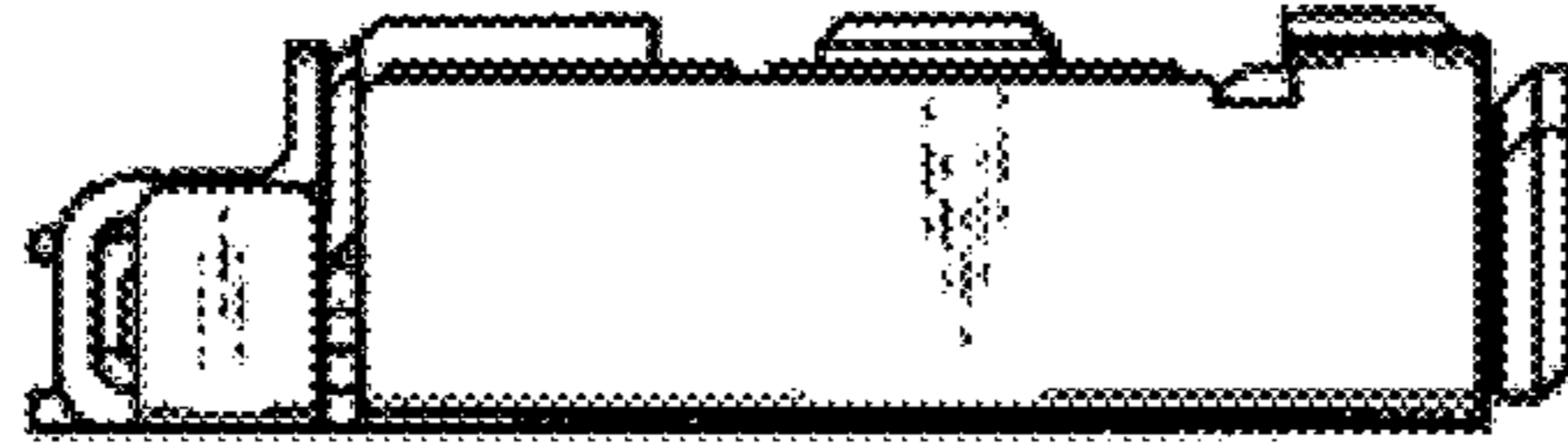


Fig. 7

