



US00D606937S

(12) **United States Design Patent**
Brookshire et al.

(10) **Patent No.:** **US D606,937 S**

(45) **Date of Patent:** **** Dec. 29, 2009**

(54) **UNINTERRUPTIBLE POWER SUPPLY**

D562,232 S * 2/2008 Sawatani et al. D13/110

(75) Inventors: **Kyle Brookshire**, Belmont, MA (US);
Meng-Chang Liu, Puli Township,
Nantou County (TW)

* cited by examiner

Primary Examiner—Prabhakar Deshmukh

Assistant Examiner—Derrick Holland

(74) *Attorney, Agent, or Firm*—Lando & Anastasi, LLP

(73) Assignee: **American Power Conversion Corporation**, West Kingdom, RI (US)

(57) **CLAIM**

(**) Term: **14 Years**

The ornamental design for an uninterruptible power supply, as shown and described.

(21) Appl. No.: **29/334,541**

(22) Filed: **Mar. 27, 2009**

DESCRIPTION

(51) **LOC (9) Cl.** **13-02**

(52) **U.S. Cl.** **D13/110**

(58) **Field of Classification Search** D13/110,
D13/112, 118, 123, 184, 199; D14/188,
D14/265, 354, 355; 174/50, 53; 361/600,
361/601, 622, 679, 683

FIG. 1 is a perspective view of an uninterruptible power supply design;

FIG. 2 is a front elevational view thereof;

FIG. 3 is a rear elevational view thereof;

FIG. 4 is a left side elevational view thereof;

FIG. 5 is a right side elevational view thereof;

FIG. 6 is a top plan view thereof; and,

FIG. 7 is a bottom plan view thereof.

See application file for complete search history.

The broken lines showing portions of the uninterruptible power supply designs in FIGS. 1–7 are for illustrative purposes only and form no part of the claimed design.

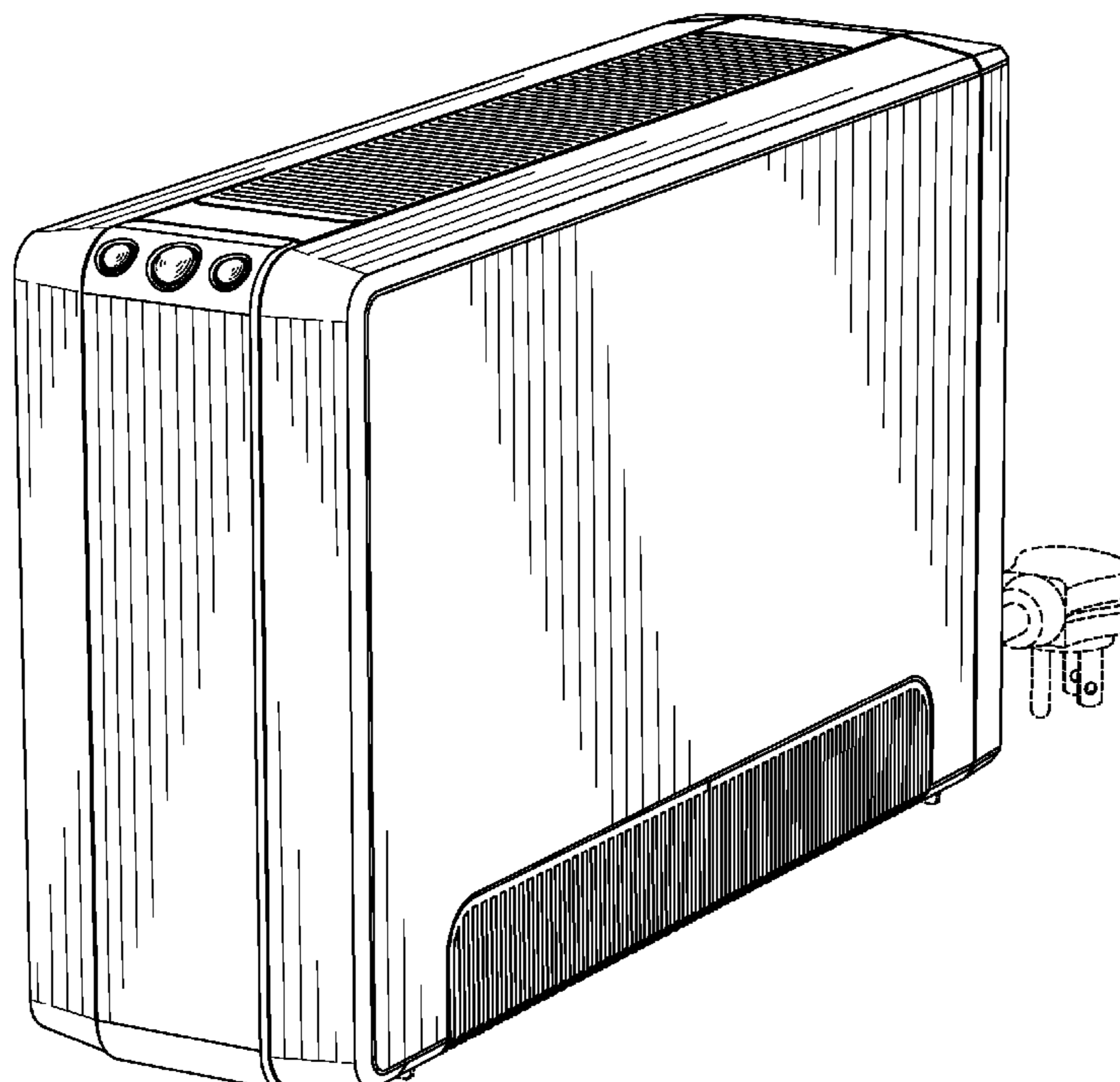
The broken lines forming a rectangle in FIG. 7 from one end of the bottom to the other end in the inner region represents an internal boundary of the design with the lines and the area within forming no part of the claim.

(56) **References Cited**

U.S. PATENT DOCUMENTS

- D314,174 S * 1/1991 Wong D13/123
- D376,347 S * 12/1996 Mousa D13/110
- D396,688 S * 8/1998 Lin D13/110
- D406,100 S * 2/1999 Murphy D13/110
- D541,216 S * 4/2007 Albano et al. D13/110
- D551,620 S * 9/2007 McClelland, II D13/110

1 Claim, 7 Drawing Sheets



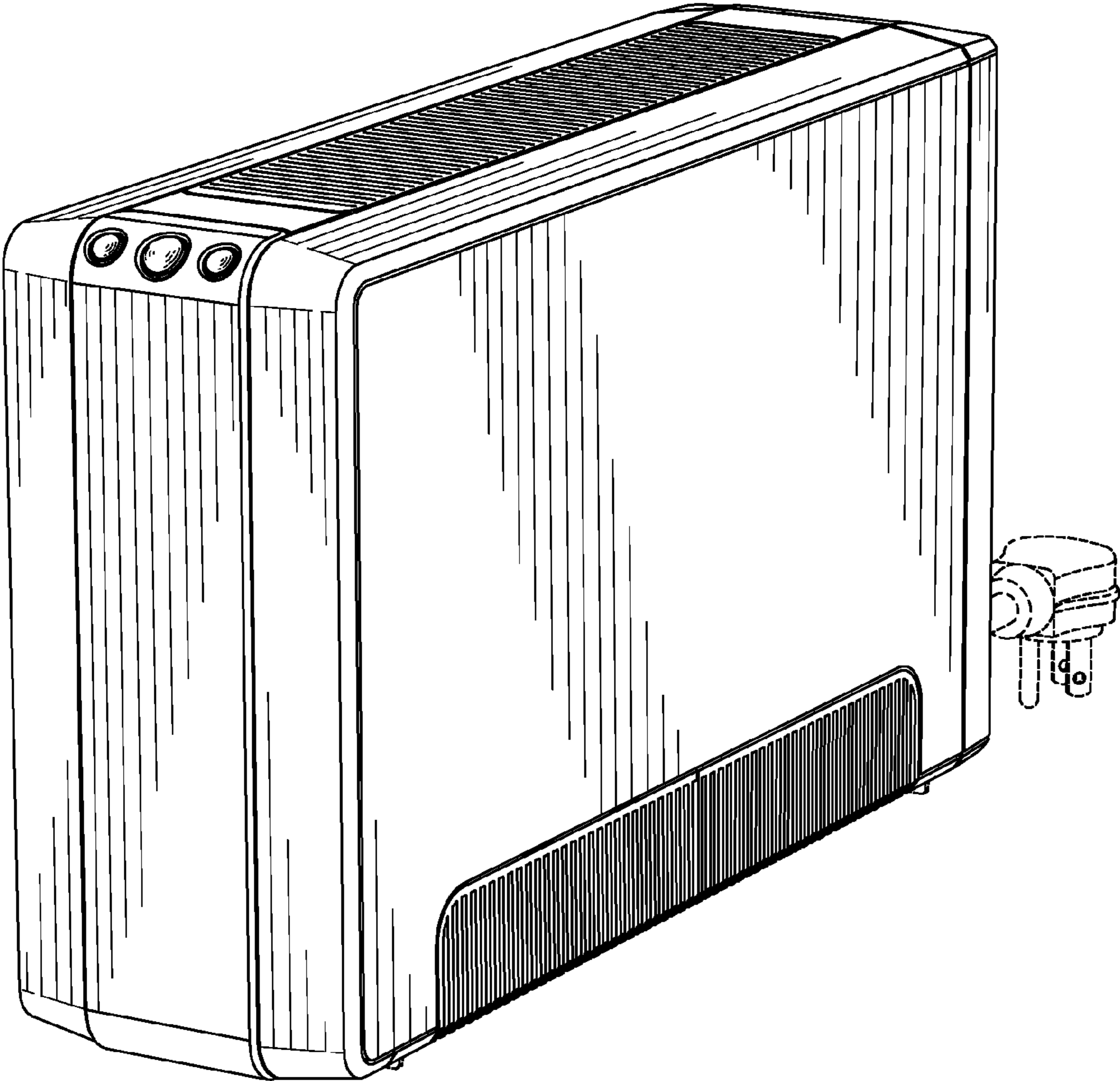


FIG. 1

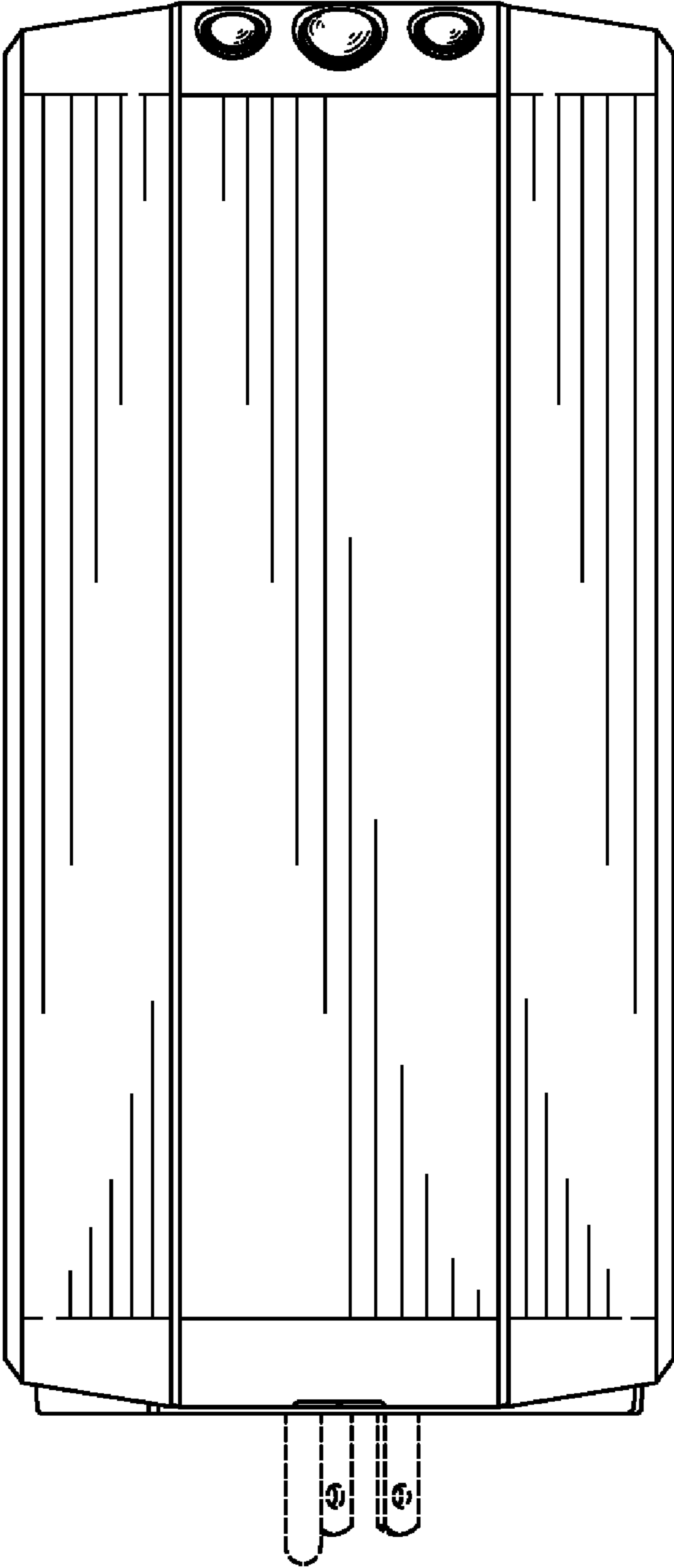


FIG. 2

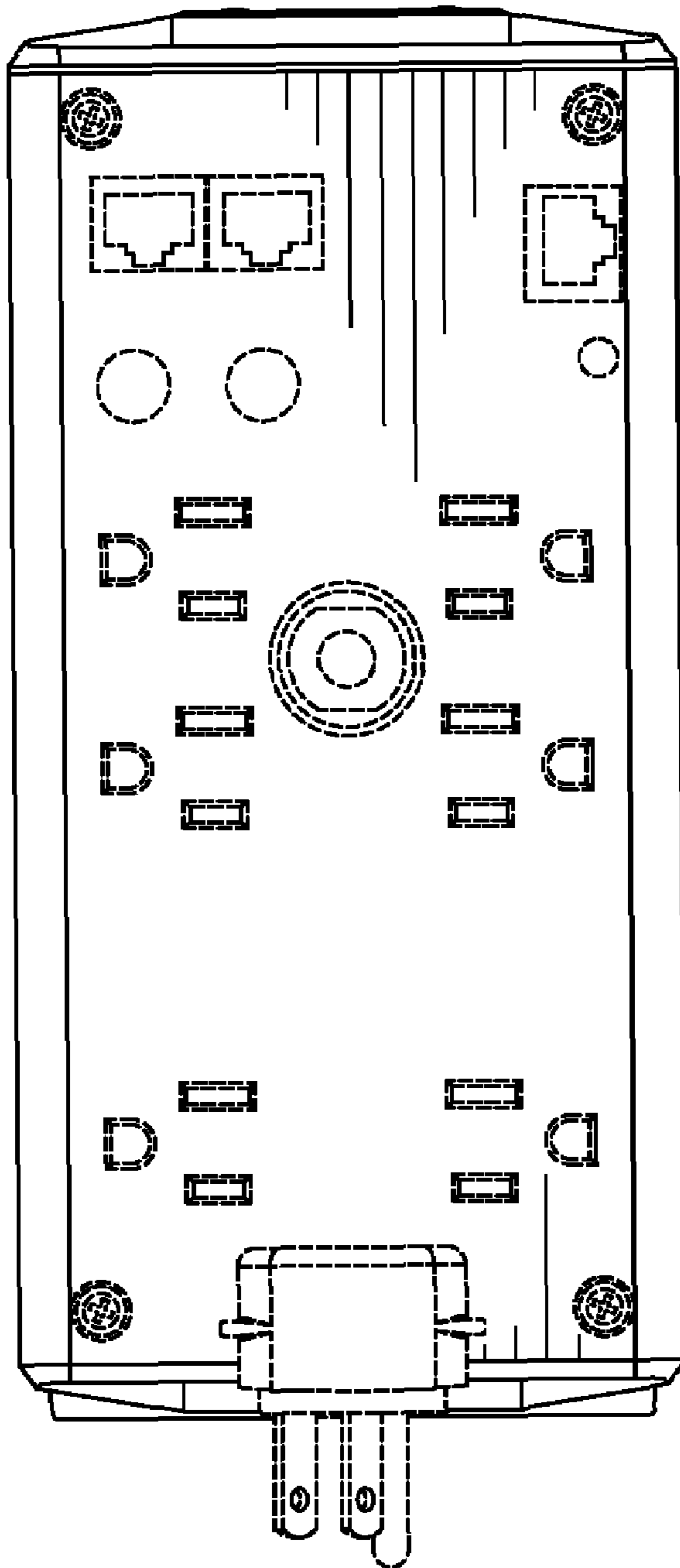


FIG. 3

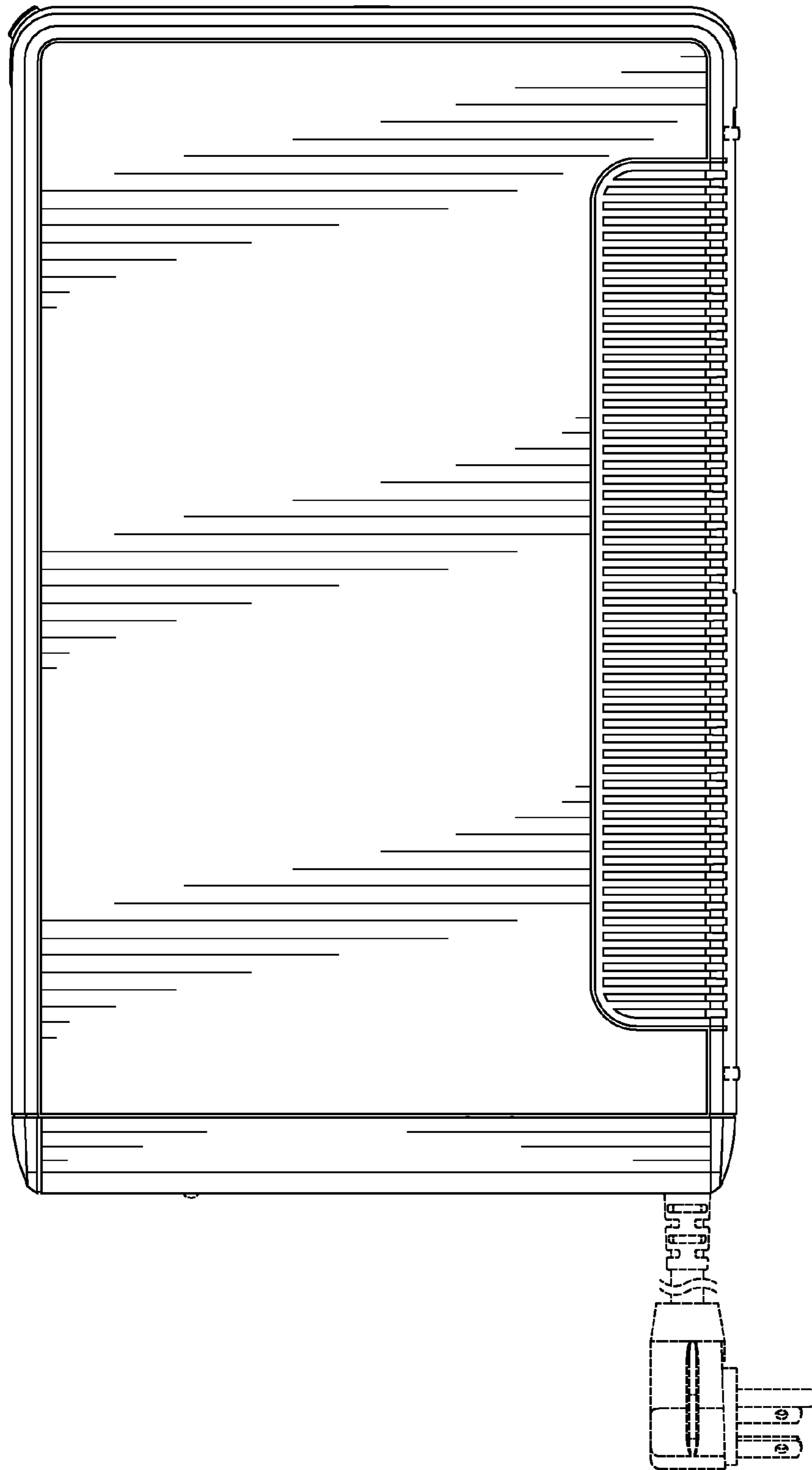


FIG. 4

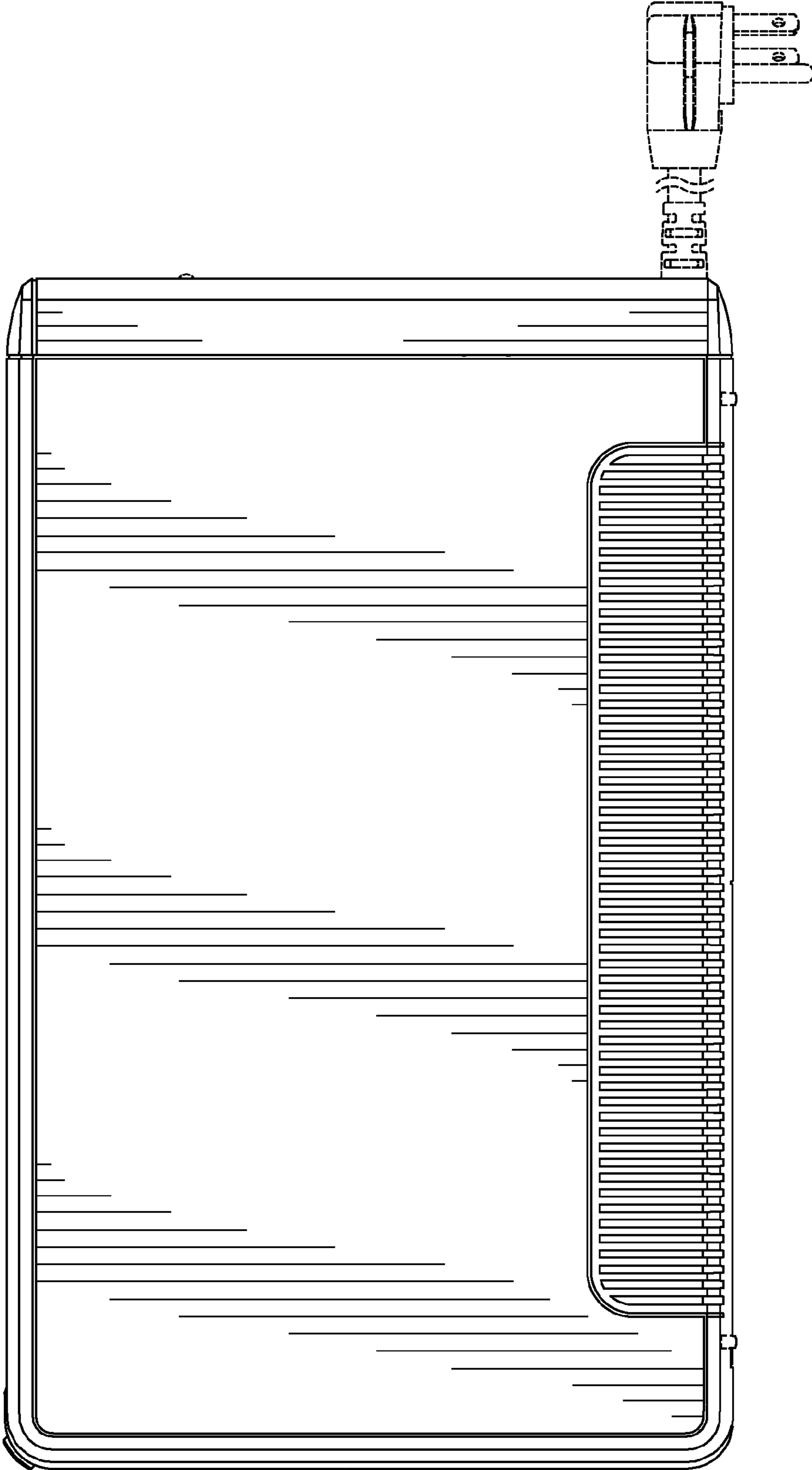


FIG. 5

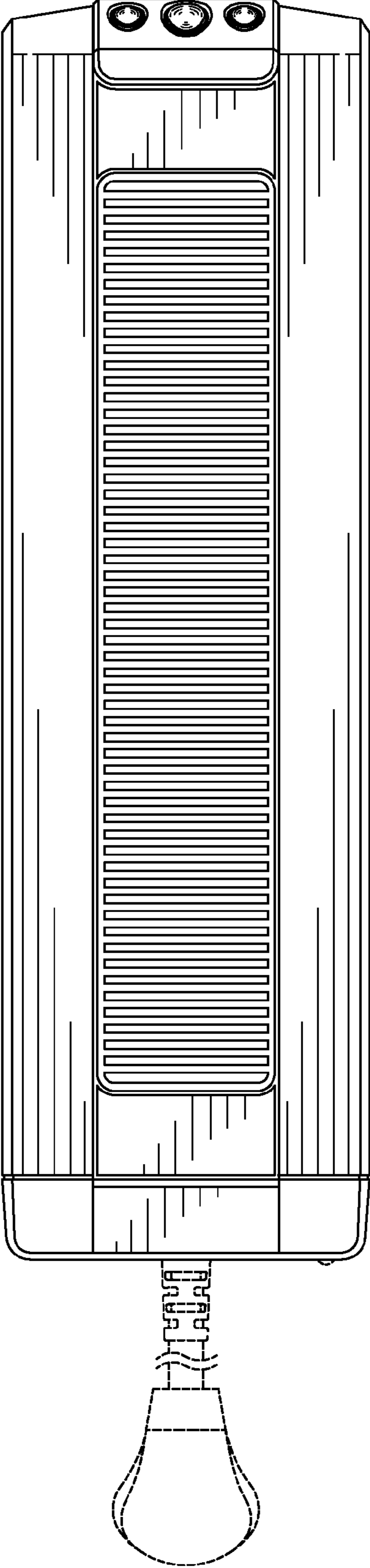


FIG. 6

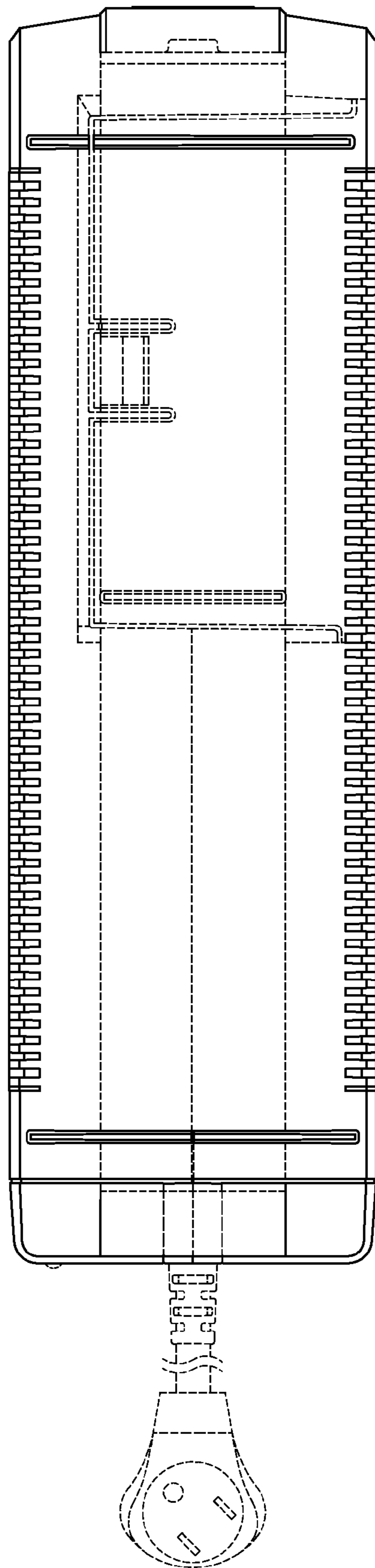


FIG. 7