



US00D606935S

(12) **United States Design Patent**
Murayama et al.

(10) **Patent No.:** **US D606,935 S**

(45) **Date of Patent:** **** Dec. 29, 2009**

(54) **BATTERY PACK**

(75) Inventors: **Tsuyoshi Murayama**, Anjo (JP);
Kiyozumi Kokawa, Anjo (JP)

(73) Assignee: **Makita Corporation**, Anjo (JP)

(**) Term: **14 Years**

(21) Appl. No.: **29/311,268**

(22) Filed: **Feb. 5, 2009**

(30) **Foreign Application Priority Data**

Aug. 20, 2008 (JP) D2008-21254

(51) **LOC (9) Cl.** **13-02**

(52) **U.S. Cl.** **D13/103**

(58) **Field of Classification Search** D13/102-108,
D13/110, 118-119, 184; 429/96-100, 163,
429/176

See application file for complete search history.

(56) **References Cited**

U.S. PATENT DOCUMENTS

- D456,002 S * 4/2002 Kato et al. D13/103
- D477,811 S * 7/2003 Niwa et al. D13/103
- D481,672 S 11/2003 Niwa et al.
- D511,744 S * 11/2005 Hsu et al. D13/108
- D512,373 S * 12/2005 Tsai et al. D13/108
- D512,961 S 12/2005 Okuda et al.

- D516,504 S 3/2006 Okuda et al.
- D523,807 S * 6/2006 Murayama et al. D13/103
- D550,152 S * 9/2007 Okuda et al. D13/103
- D562,227 S * 2/2008 Yamada et al. D13/103
- D562,228 S * 2/2008 Okada et al. D13/103
- D568,239 S * 5/2008 Okada et al. D13/103
- D580,351 S * 11/2008 Elsmark et al. D13/103

* cited by examiner

Primary Examiner—Rosemary K Tarca

(74) *Attorney, Agent, or Firm*—Oliff & Berridge, PLC

(57) **CLAIM**

The ornamental design for a battery pack, as shown and described.

DESCRIPTION

FIG. 1 is a perspective view of a battery pack showing our new design;

FIG. 2 is a front elevation view thereof;

FIG. 3 is a rear elevation view thereof;

FIG. 4 is a left side elevation view thereof;

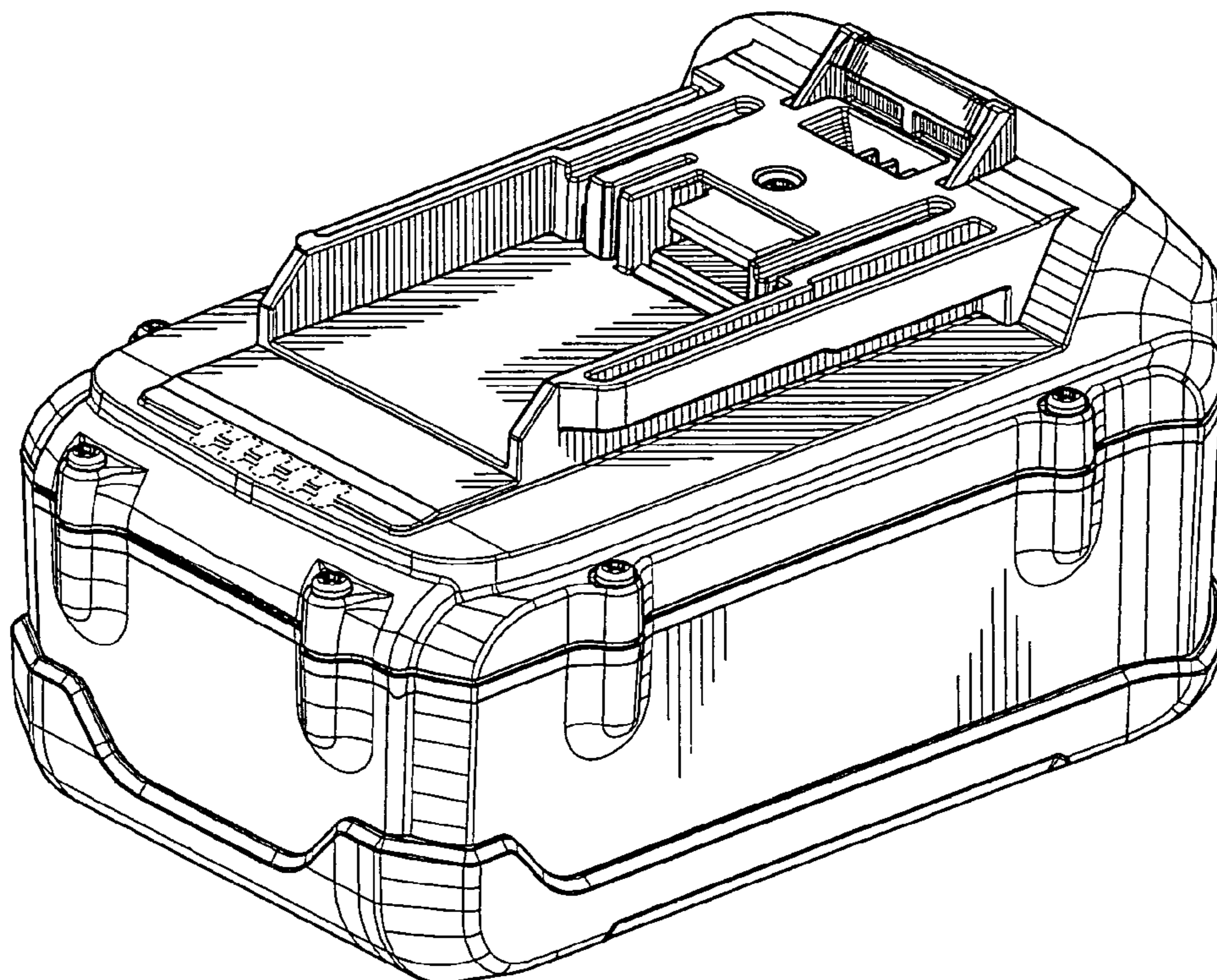
FIG. 5 is a right side elevation view thereof;

FIG. 6 is a top plan view thereof; and,

FIG. 7 is a bottom plan view thereof.

The broken lines depict environmental subject matter only and form no part of the claimed design.

1 Claim, 4 Drawing Sheets



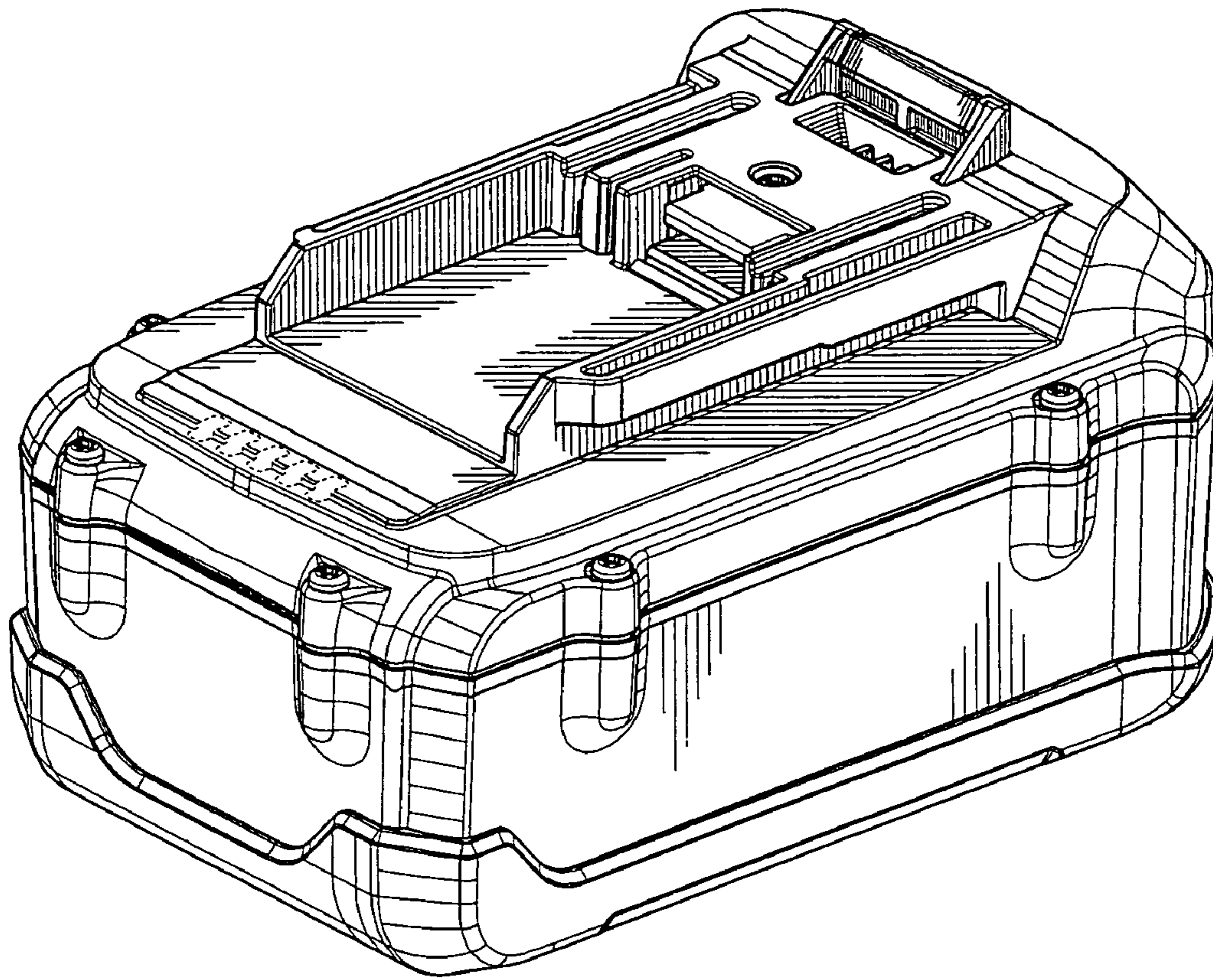


FIG. 1

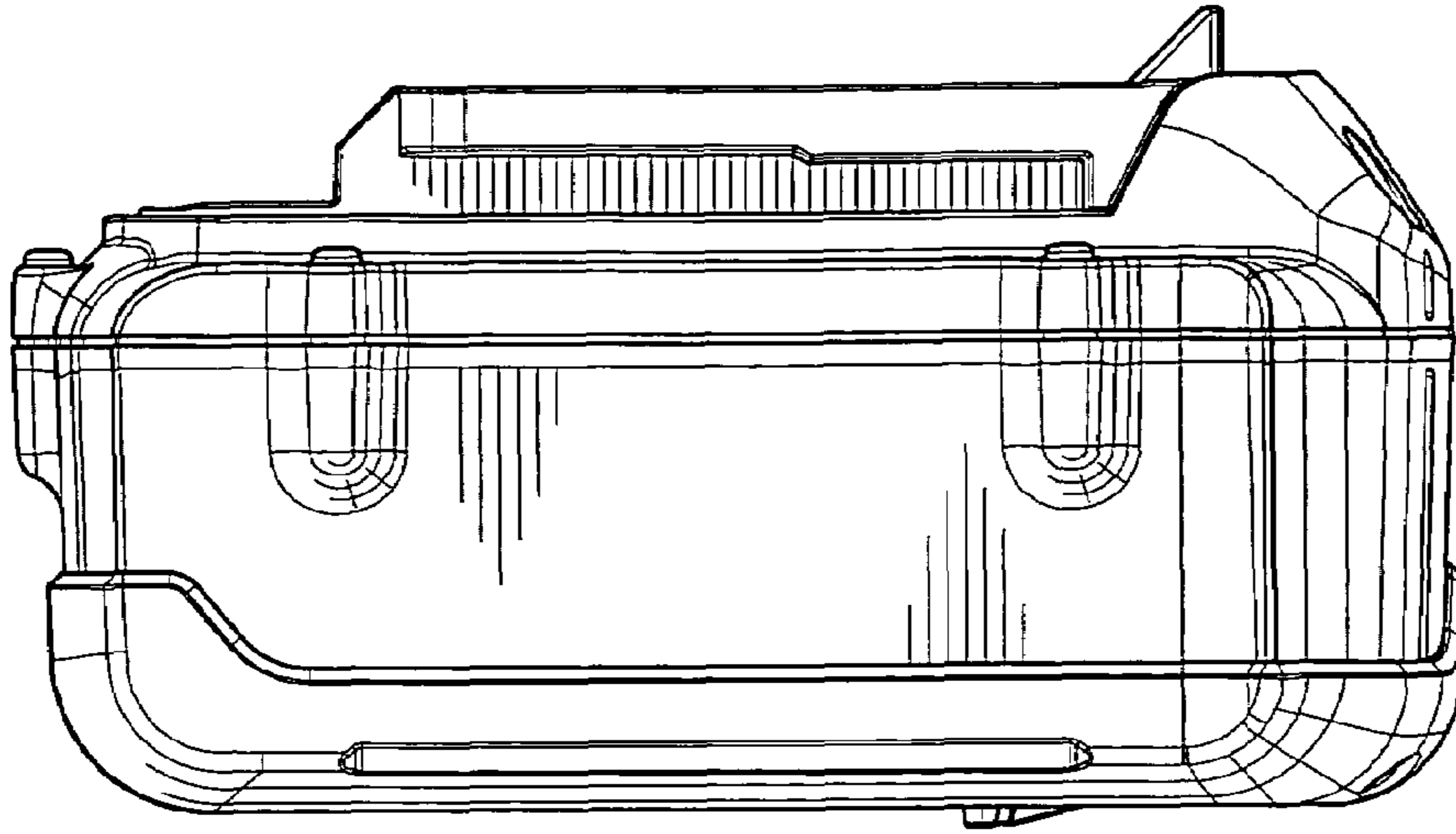


FIG. 2

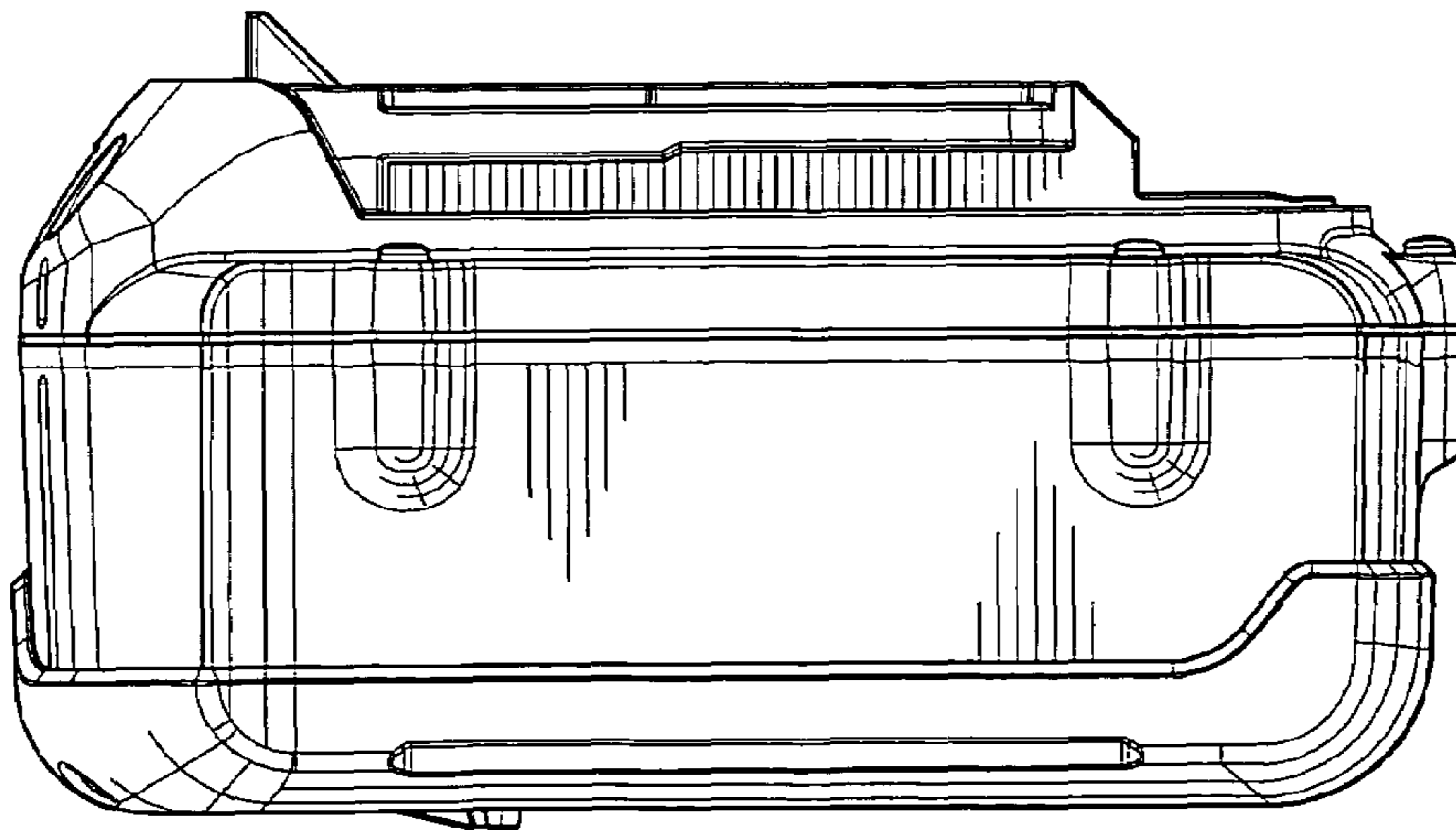


FIG. 3

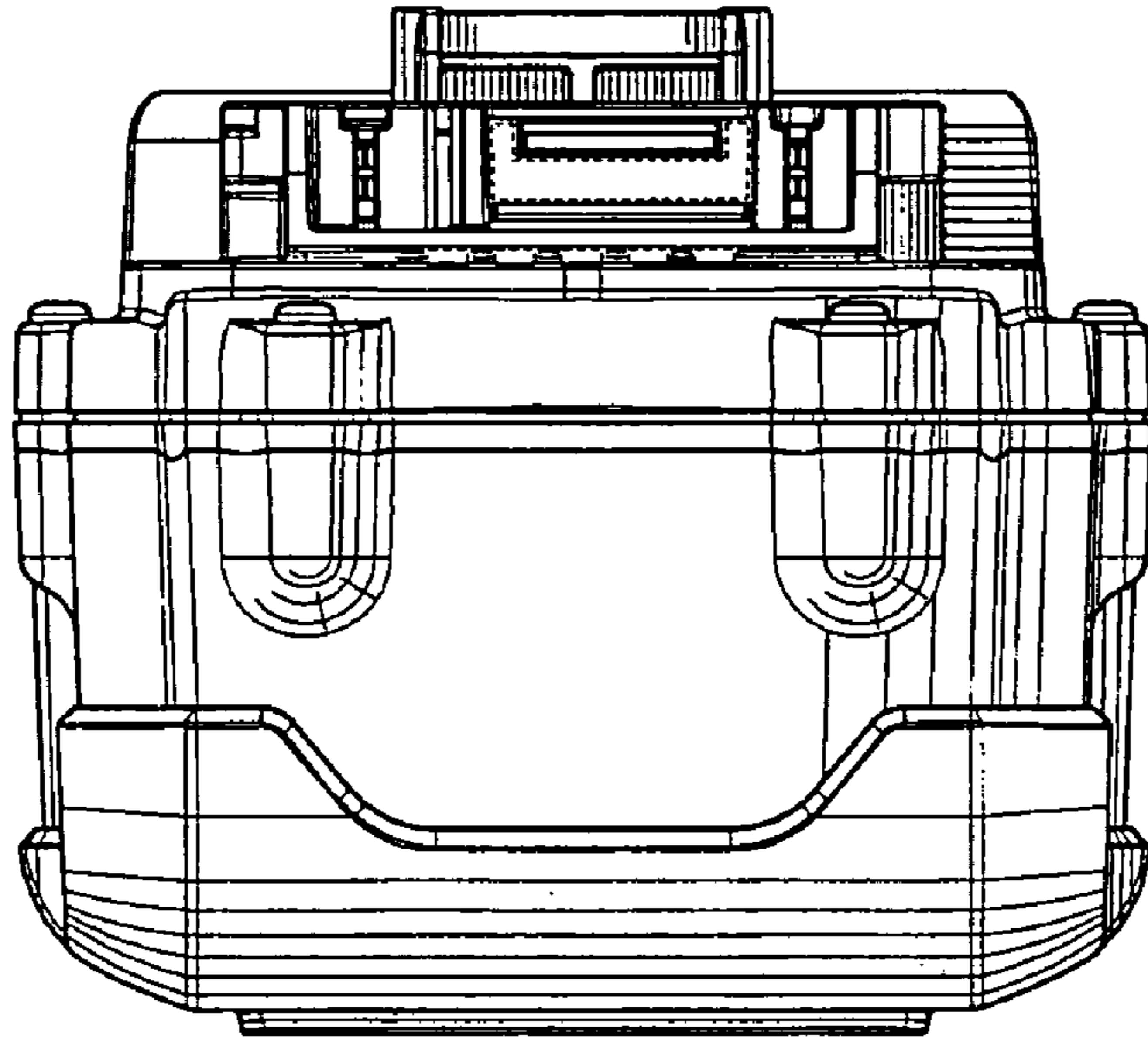


FIG. 4

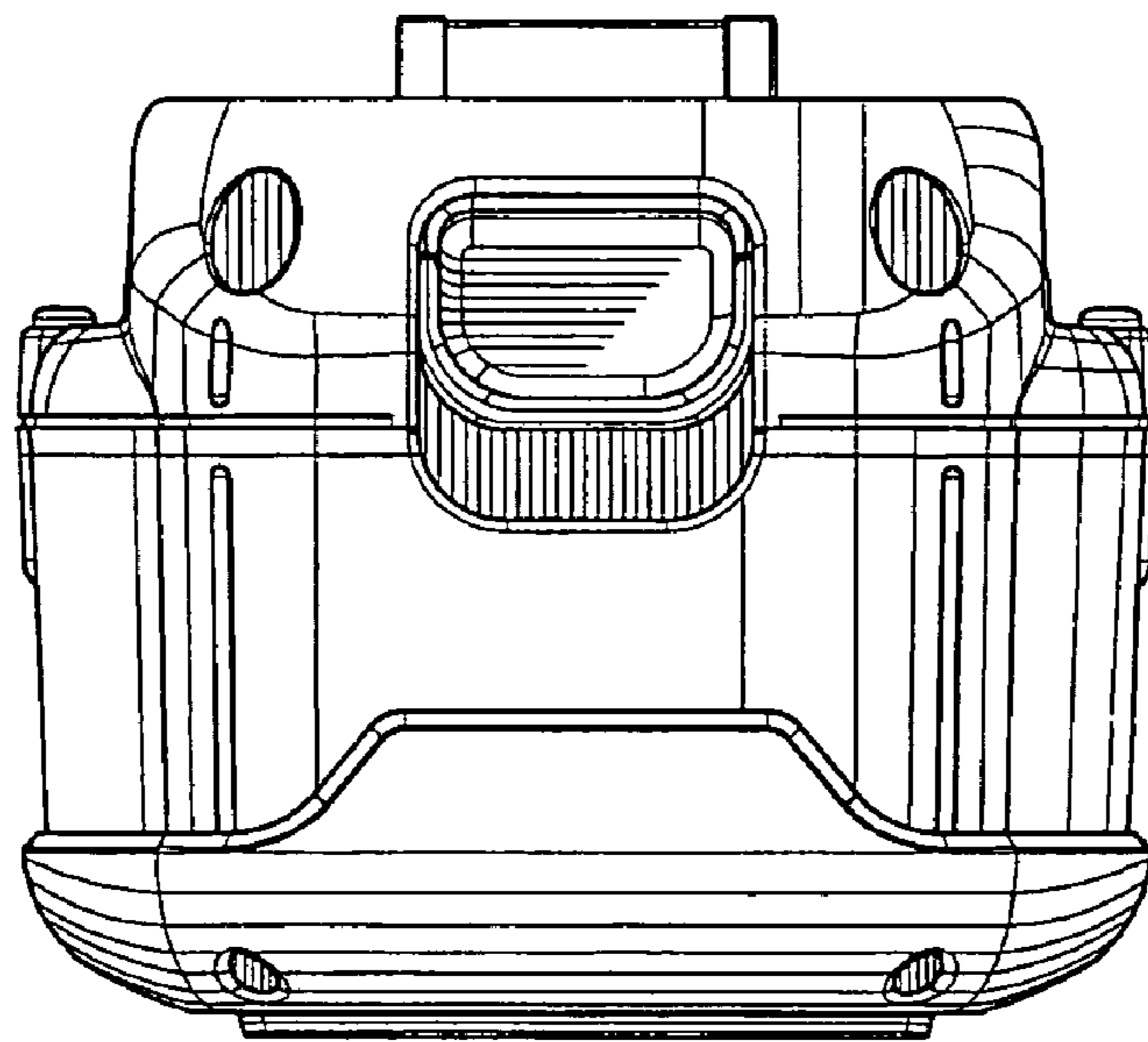


FIG. 5

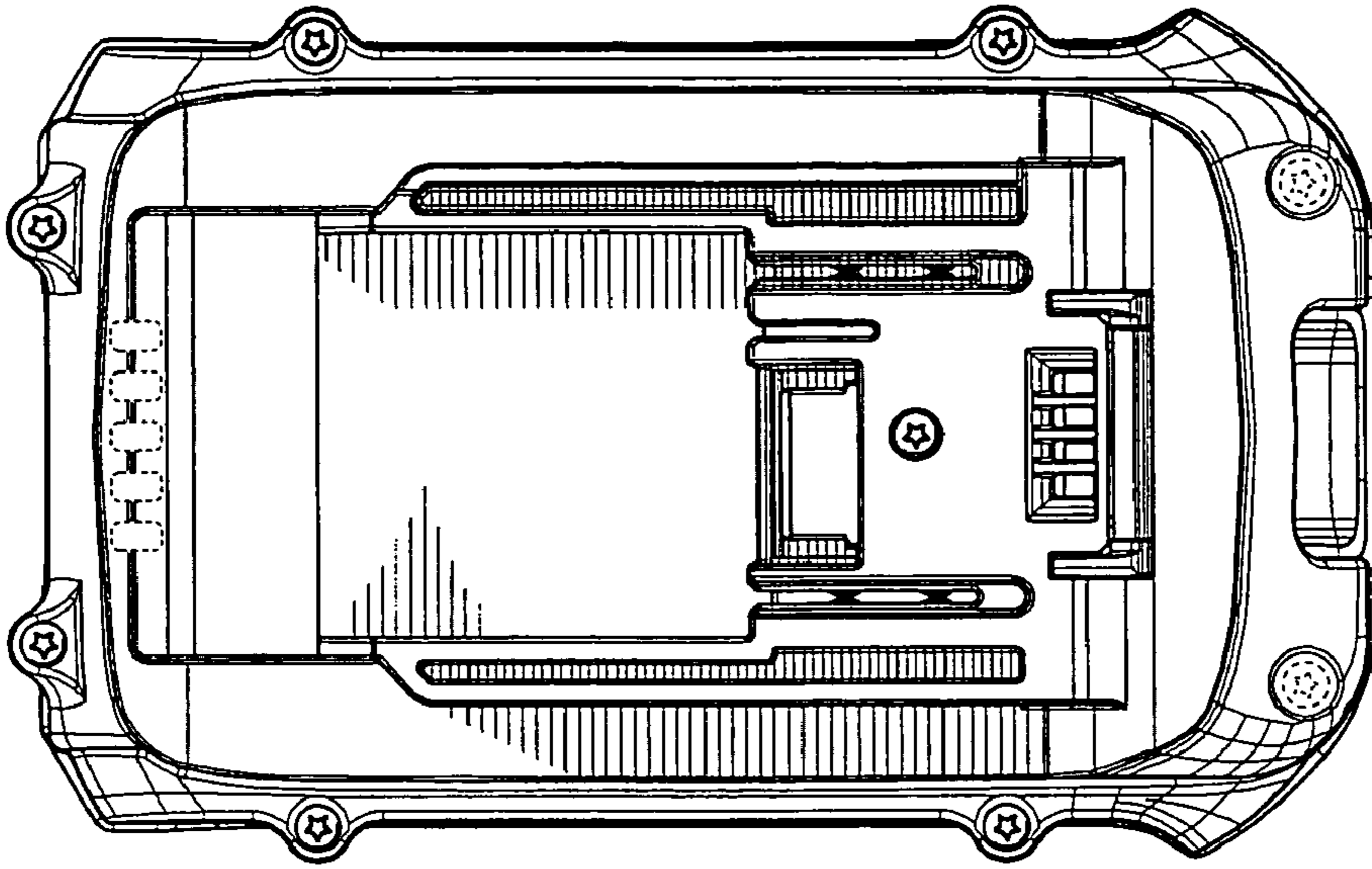


FIG. 6

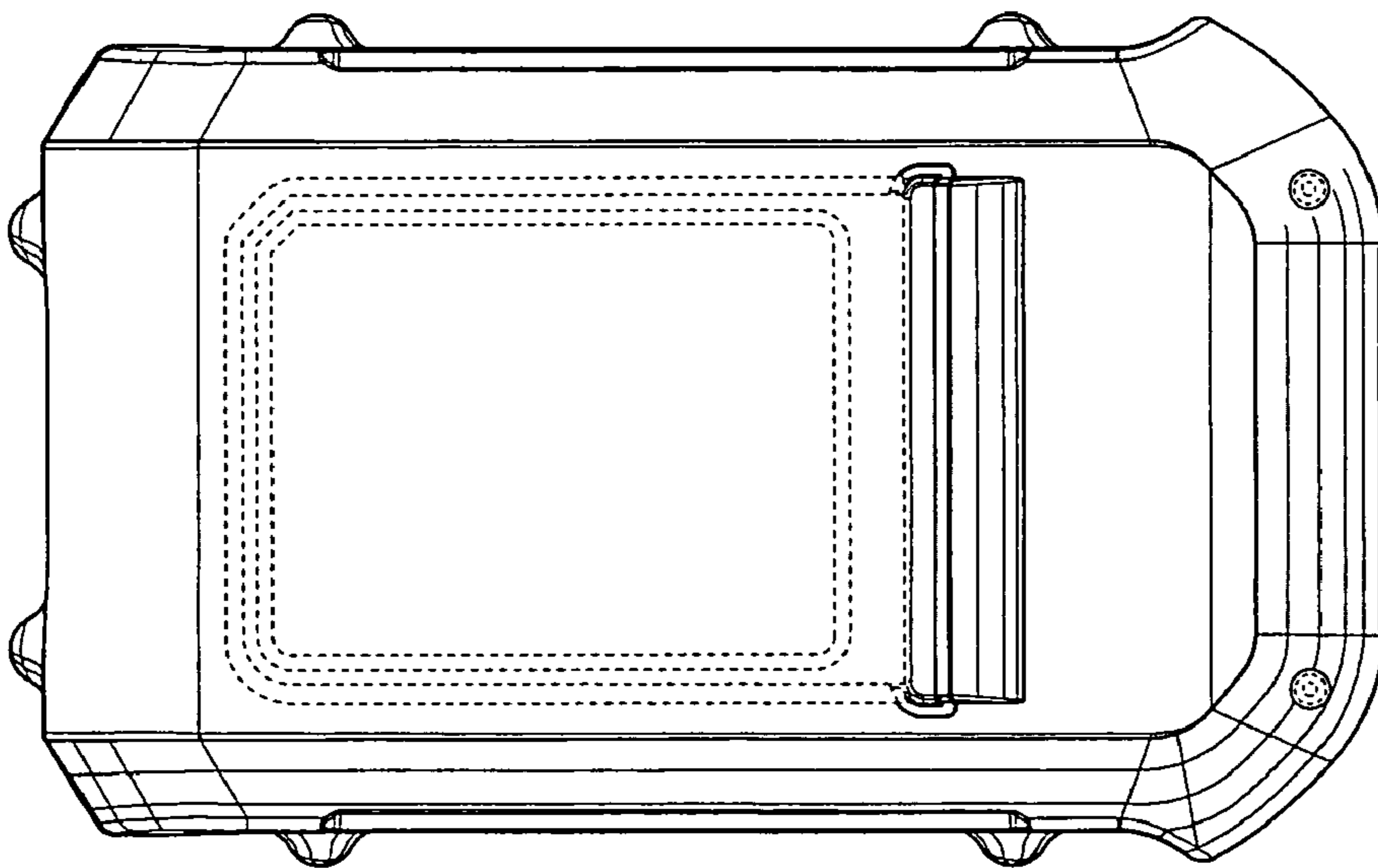


FIG. 7