

US00D606926S

(12) **United States Design Patent**
Heinen et al.

(10) **Patent No.:** **US D606,926 S**
(45) **Date of Patent:** **** Dec. 29, 2009**

(54) **TIRE**

D586,726 S * 2/2009 Baumard et al. D12/521
D593,931 S * 6/2009 Fontaine et al. D12/521
D597,020 S * 7/2009 Oh D12/521

(75) Inventors: **Richard Heinen**, Habay-La-Neuve (BE); **Alexander Ossipov**, Leuven (BE); **Nicolas Claude Jean-Claude Froger**, Arlon (BE)

* cited by examiner

Primary Examiner—Stacia Cadmus

(74) *Attorney, Agent, or Firm*—Richard B. O’Planick

(73) Assignee: **The Goodyear Tire & Rubber Company**, Akron, OH (US)

(57) **CLAIM**

(**) Term: **14 Years**

The ornamental design for a tire, as shown and described.

(21) Appl. No.: **29/341,058**

DESCRIPTION

(22) Filed: **Jul. 30, 2009**

FIG. 1 is a perspective view of a tire showing our new design, it being understood that the pattern repeats uniformly throughout the circumference of the tread;

(51) **LOC (9) Cl.** **12-15**

(52) **U.S. Cl.** **D12/521**

(58) **Field of Classification Search** D12/505–532,
D12/553, 555, 588, 590; 152/209.1, 209.8–209.19,
152/209.25–209.28

FIG. 2 is a front elevational view thereof;

FIG. 3 is a right side elevational view thereof;

FIG. 4 is a left side elevational view thereof;

See application file for complete search history.

FIG. 5 is an enlarged fragmentary front elevational view thereof;

(56) **References Cited**

U.S. PATENT DOCUMENTS

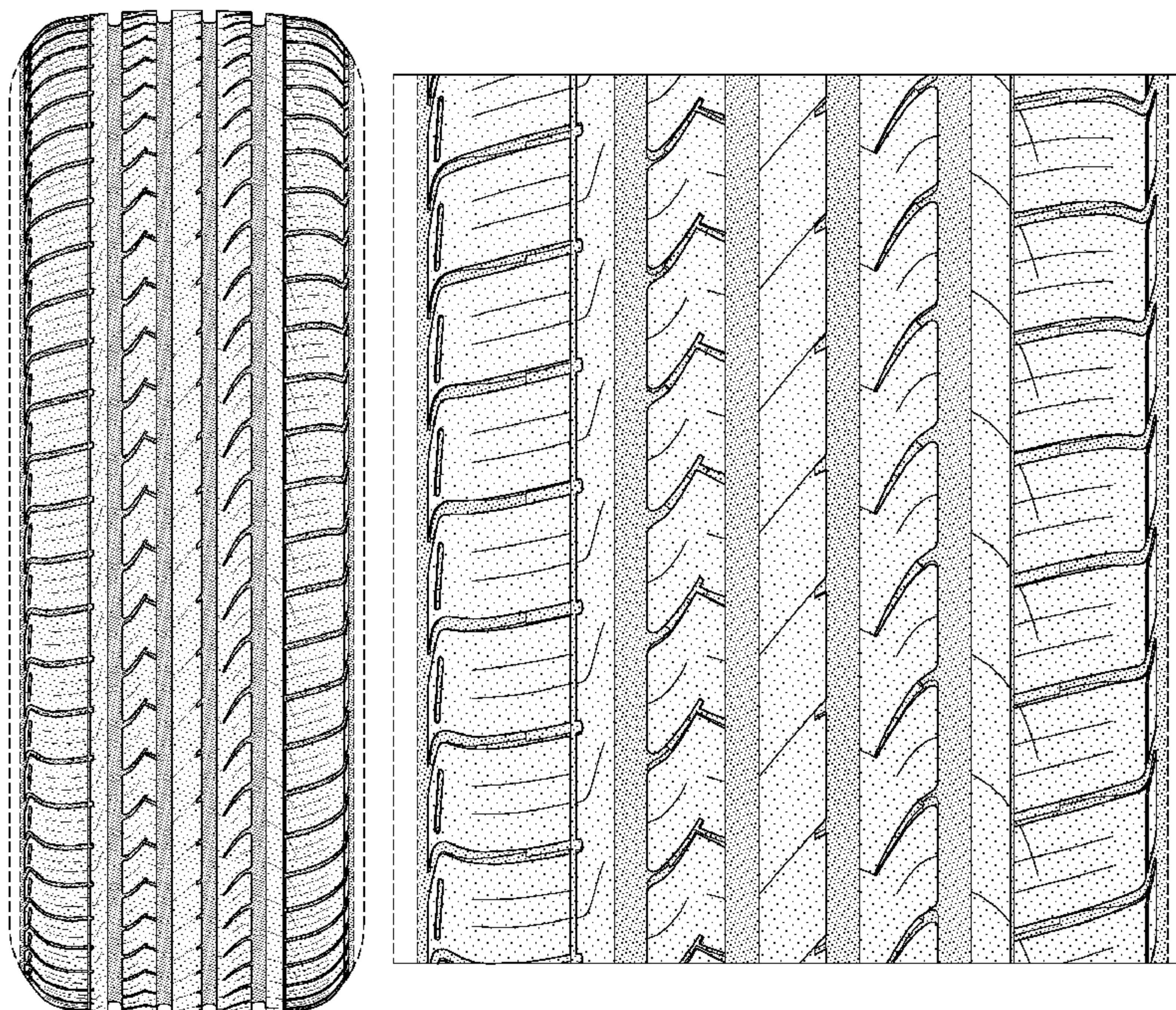
D368,687 S	4/1996	Hayashi	D12/147
D392,226 S	3/1998	Howald et al.	D12/141
D392,230 S	3/1998	Heinen	D12/147
D432,956 S *	10/2000	Ricquet	D12/521
D490,045 S	5/2004	Delu et al.	D12/519
D515,019 S	2/2006	Umstot et al.	D12/519
D525,186 S *	7/2006	Martin	D12/521
D531,116 S	10/2006	Heinen et al.	D12/590
D542,217 S	5/2007	Heinen et al.	D12/555
D548,680 S	8/2007	Heinen et al.	D12/603
D560,595 S *	1/2008	Bindner et al.	D12/521
D579,855 S *	11/2008	Fontaine et al.	D12/521
D585,361 S *	1/2009	Ho	D12/521

FIG. 6 is a perspective view of a second embodiment of a tire showing our new design, it being understood that the pattern repeats uniformly throughout the circumference of the tread; and,

FIG. 7 is a front elevational view of a second embodiment, it being understood that an enlarged fragmentary view thereof would be substantially identical to that shown in FIG. 5, with the exception of the inclusion of the sidewall in solid lines.

In the drawings, the broken lines showing of the sidewall, inner bead and the peripheral boundary between the tire tread and the sidewall in FIGS. 1 through 4 depict environmental subject matter and form no part of the claimed design.

1 Claim, 7 Drawing Sheets



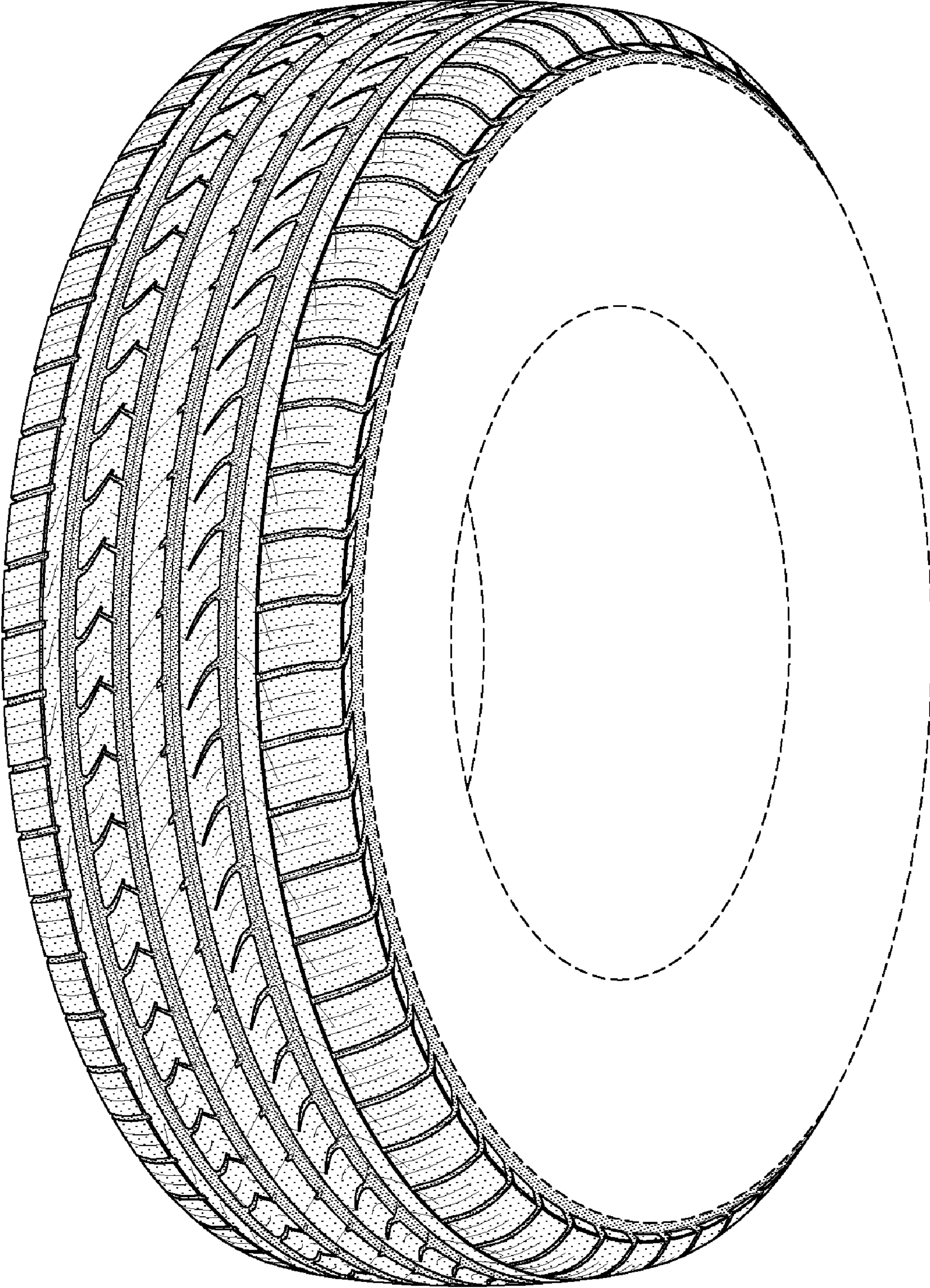


FIG-1

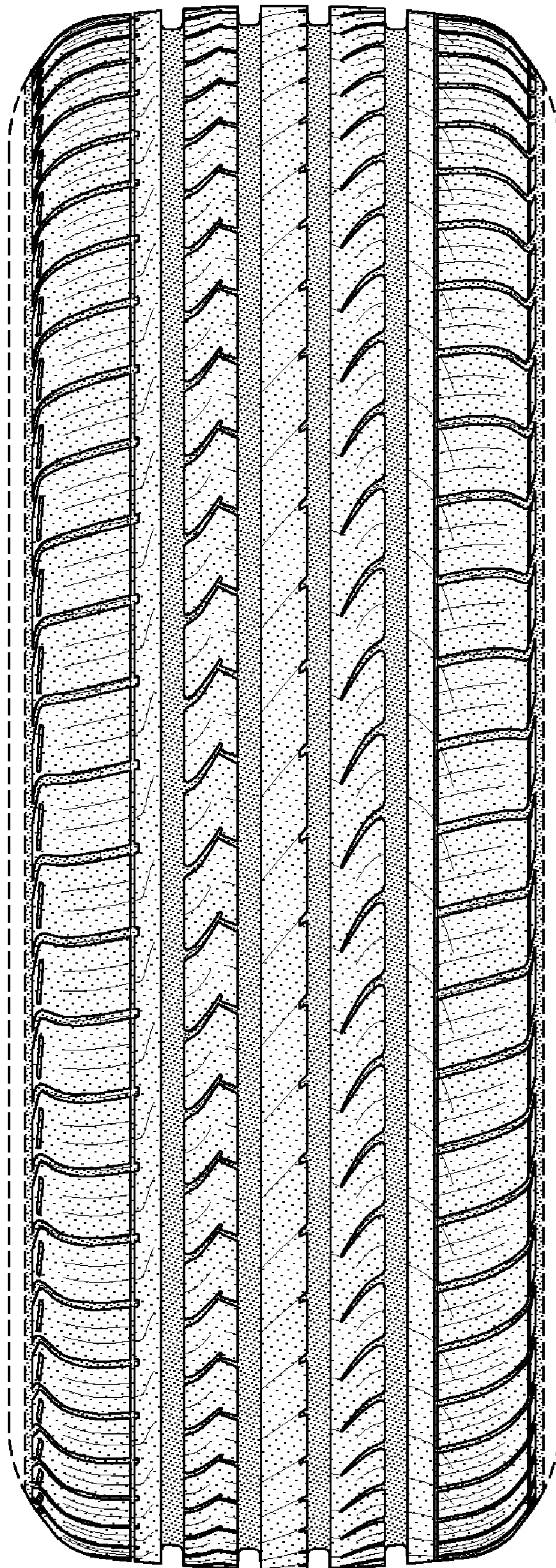


FIG-2

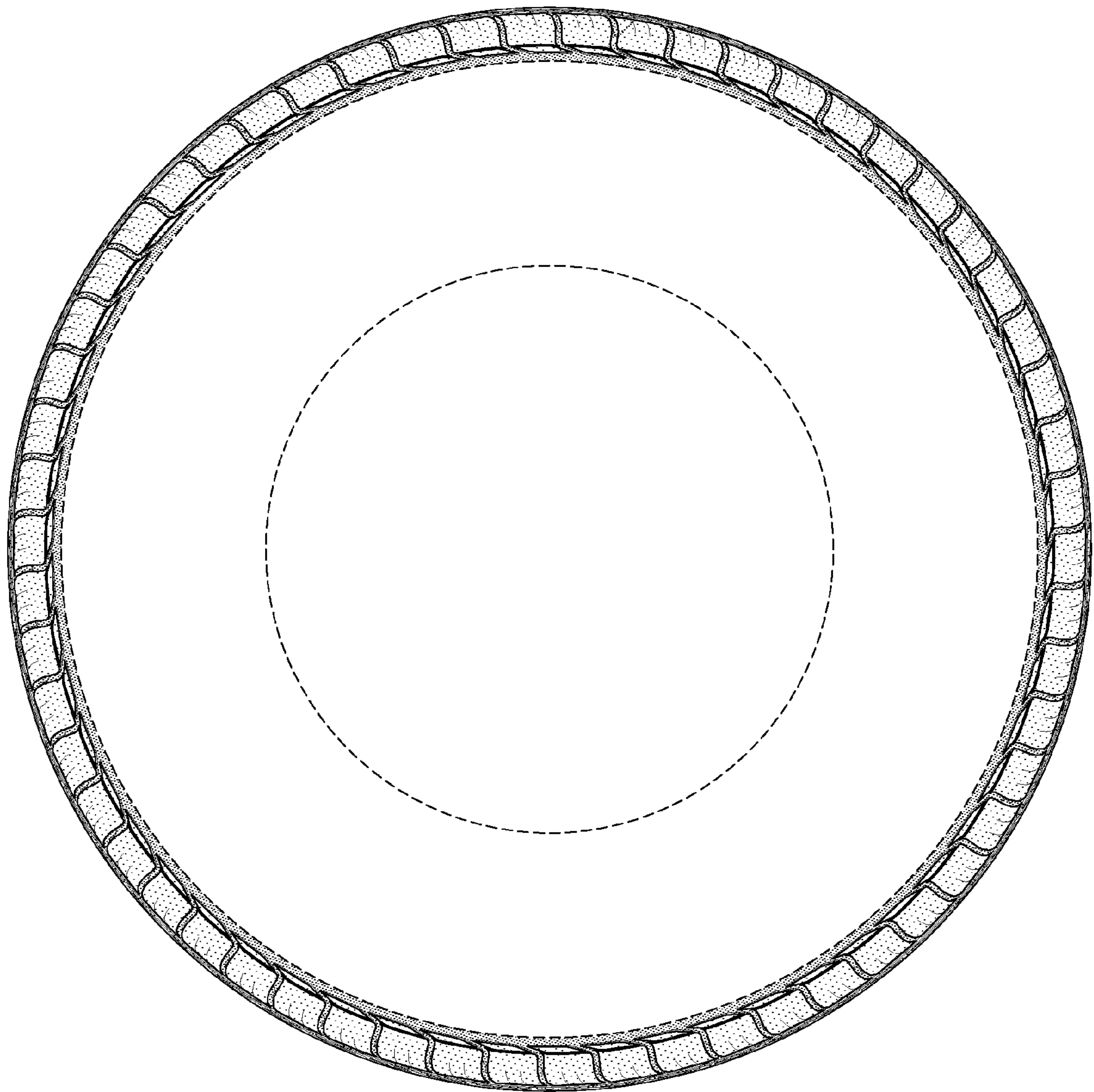


FIG-3

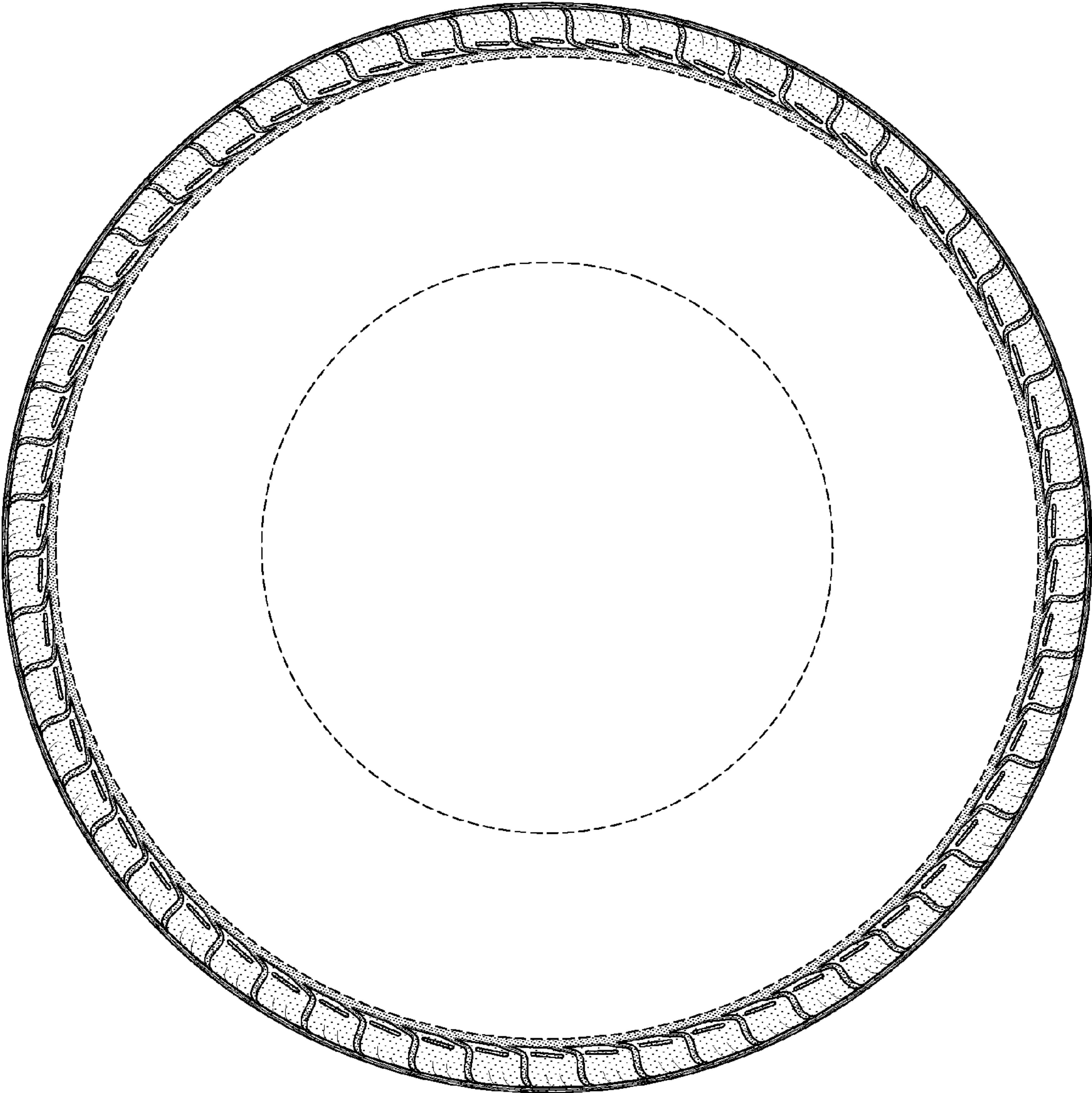


FIG-4

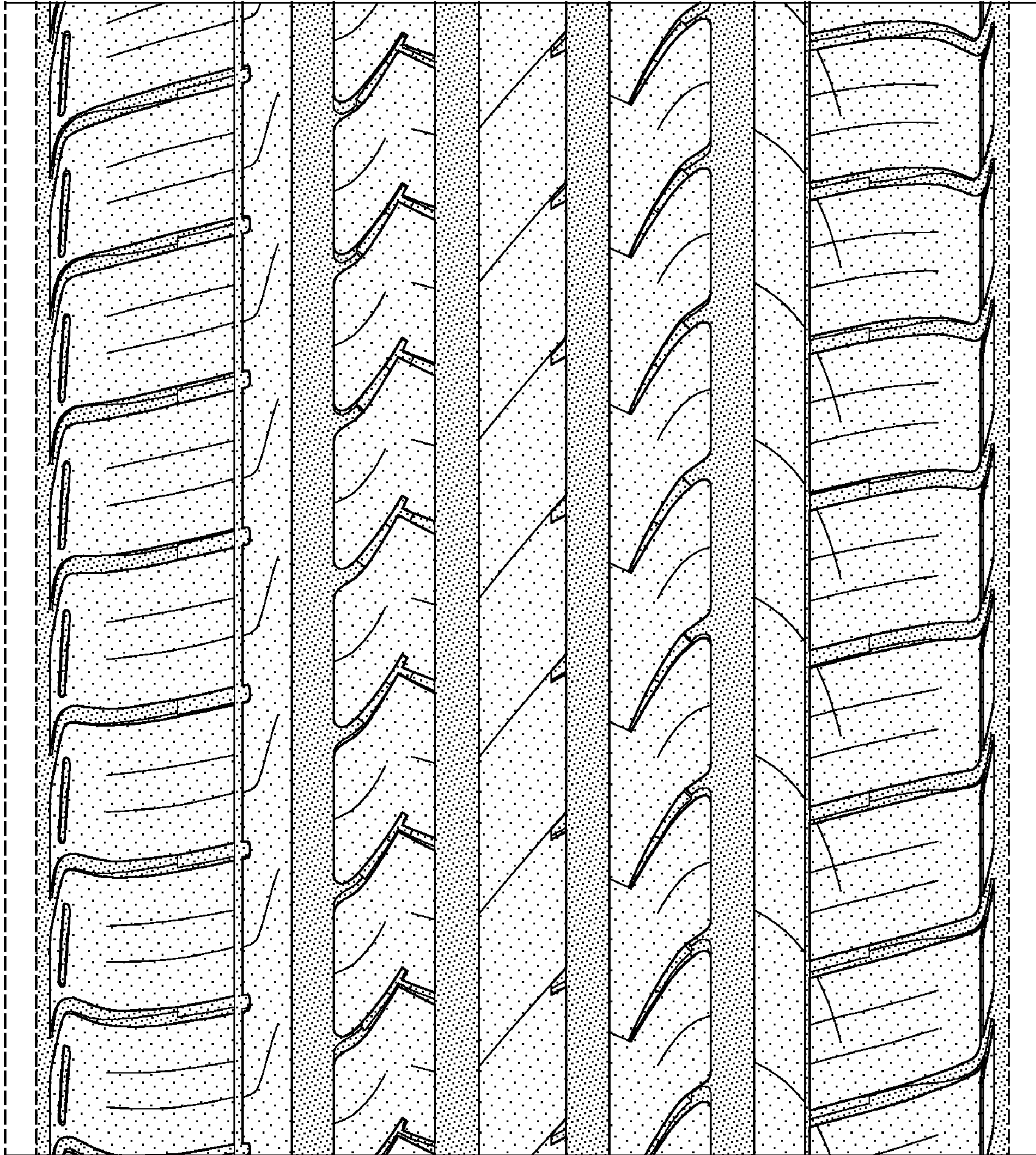


FIG-5

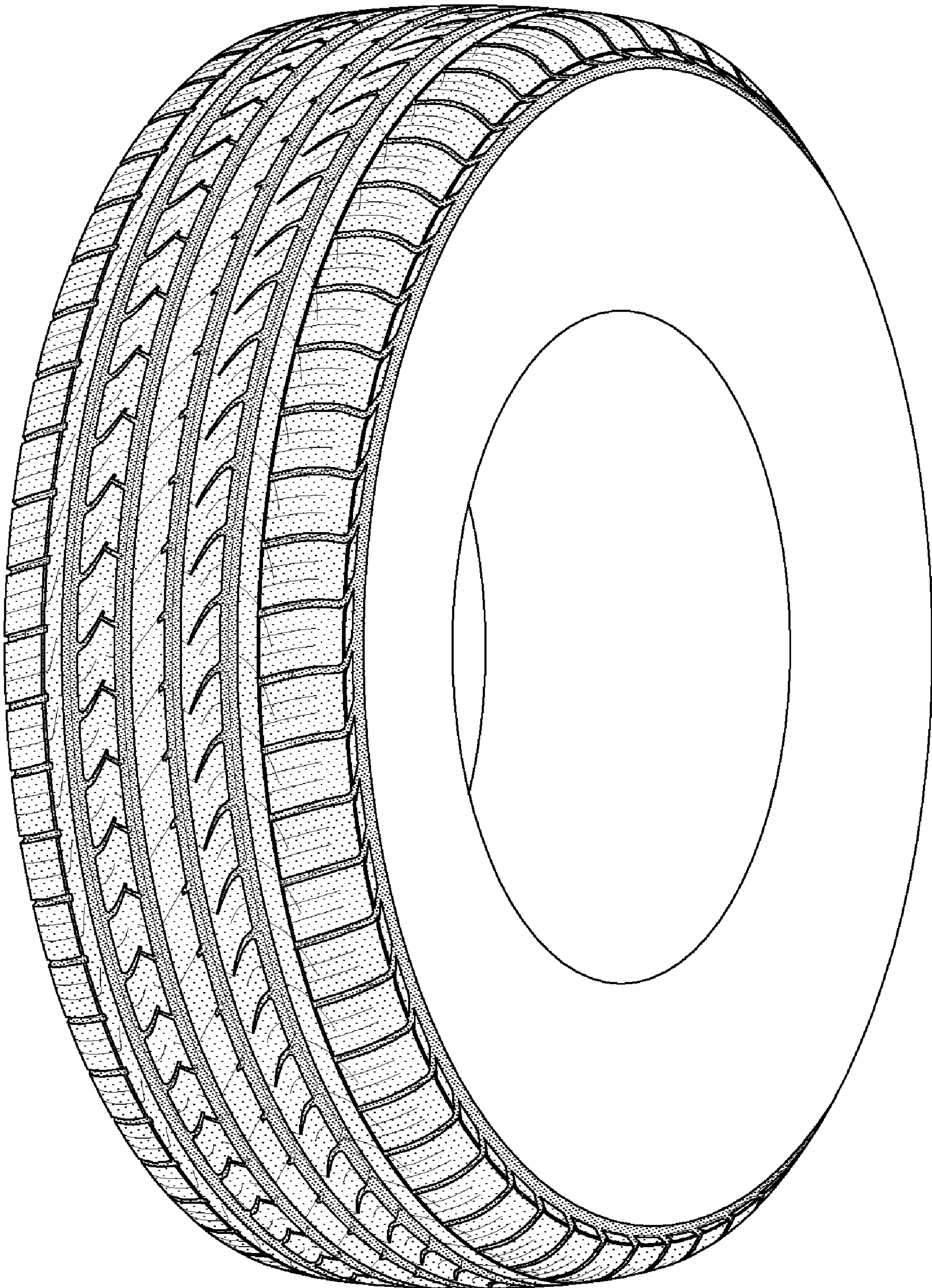


FIG-6

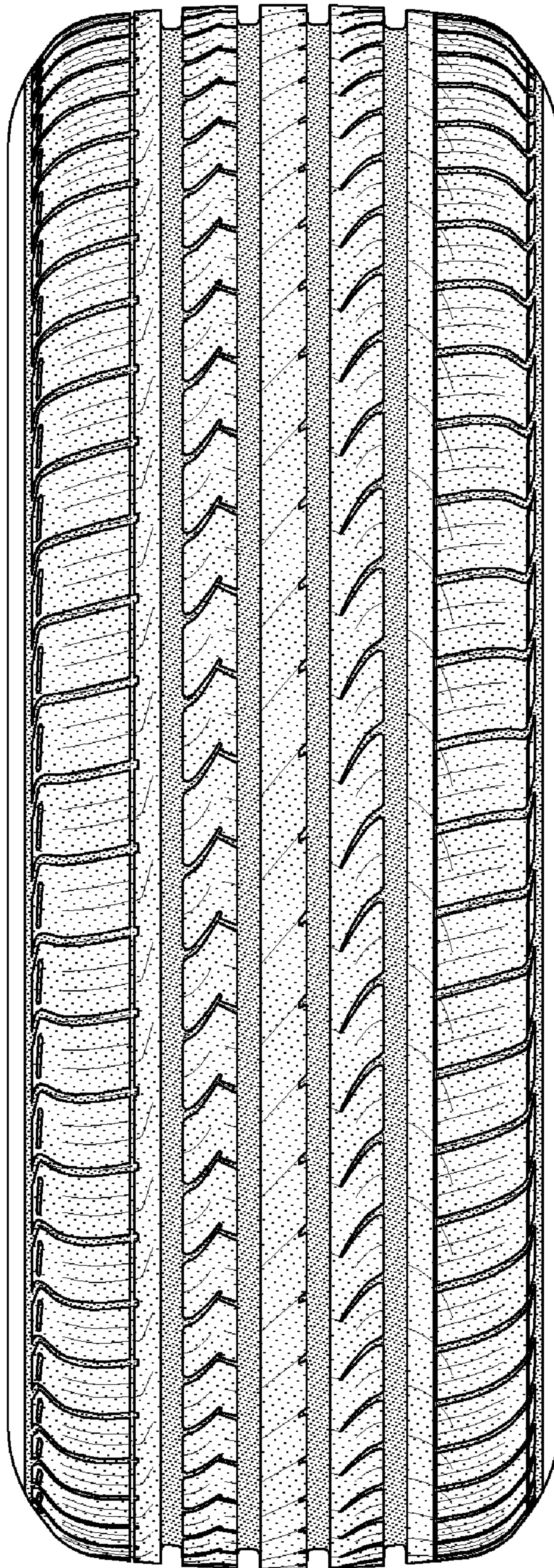


FIG-7