

US00D606923S

(12) **United States Design Patent**
Young et al.

(10) **Patent No.:** **US D606,923 S**
(45) **Date of Patent:** **** Dec. 29, 2009**

(54) **INTERIOR ARCHWAY FOR AN AIRCRAFT**
(75) Inventors: **David A. Young**, Seattle, WA (US);
Richard Fraker, Edmonds, WA (US);
R. Klaus Brauer, Seattle, WA (US);
Peter S. Guard, Sammamish, WA (US)
(73) Assignee: **The Boeing Company**, Chicago, IL
(US)

5,083,727 A 1/1992 Pompei et al.
5,129,597 A 7/1992 Manthey et al.
5,201,831 A 4/1993 Higgins et al.
5,245,802 A 9/1993 Davis
5,441,218 A 8/1995 Mueller et al.
5,707,028 A 1/1998 Roeper
D397,450 S * 8/1998 Cotton et al. D25/102
5,816,534 A 10/1998 Schumacher
5,820,076 A 10/1998 Schumacher et al.

(**) Term: **14 Years**
(21) Appl. No.: **29/192,055**
(22) Filed: **Oct. 17, 2003**

(Continued)

FOREIGN PATENT DOCUMENTS

DE 9406302 U1 5/1995

(Continued)

(51) **LOC (9) Cl.** **12-07**
(52) **U.S. Cl.** **D12/345**
(58) **Field of Classification Search** D12/319-345;
D6/332; D25/1, 102, 58, 18, 119, 164; 52/2.11,
52/2.13, 86, 542.3, 653.2, 724.4, 88, 89;
244/129.04, 118.5, 119; 105/329.1, 331
See application file for complete search history.

Primary Examiner—Cathron C. Brooks
Assistant Examiner—Maurice Stevens
(74) *Attorney, Agent, or Firm*—Ostrager Chong Flaherty &
Broitman P.C.

(57) **CLAIM**

The ornamental design for an interior archway for an aircraft,
as shown and described.

(56) **References Cited**

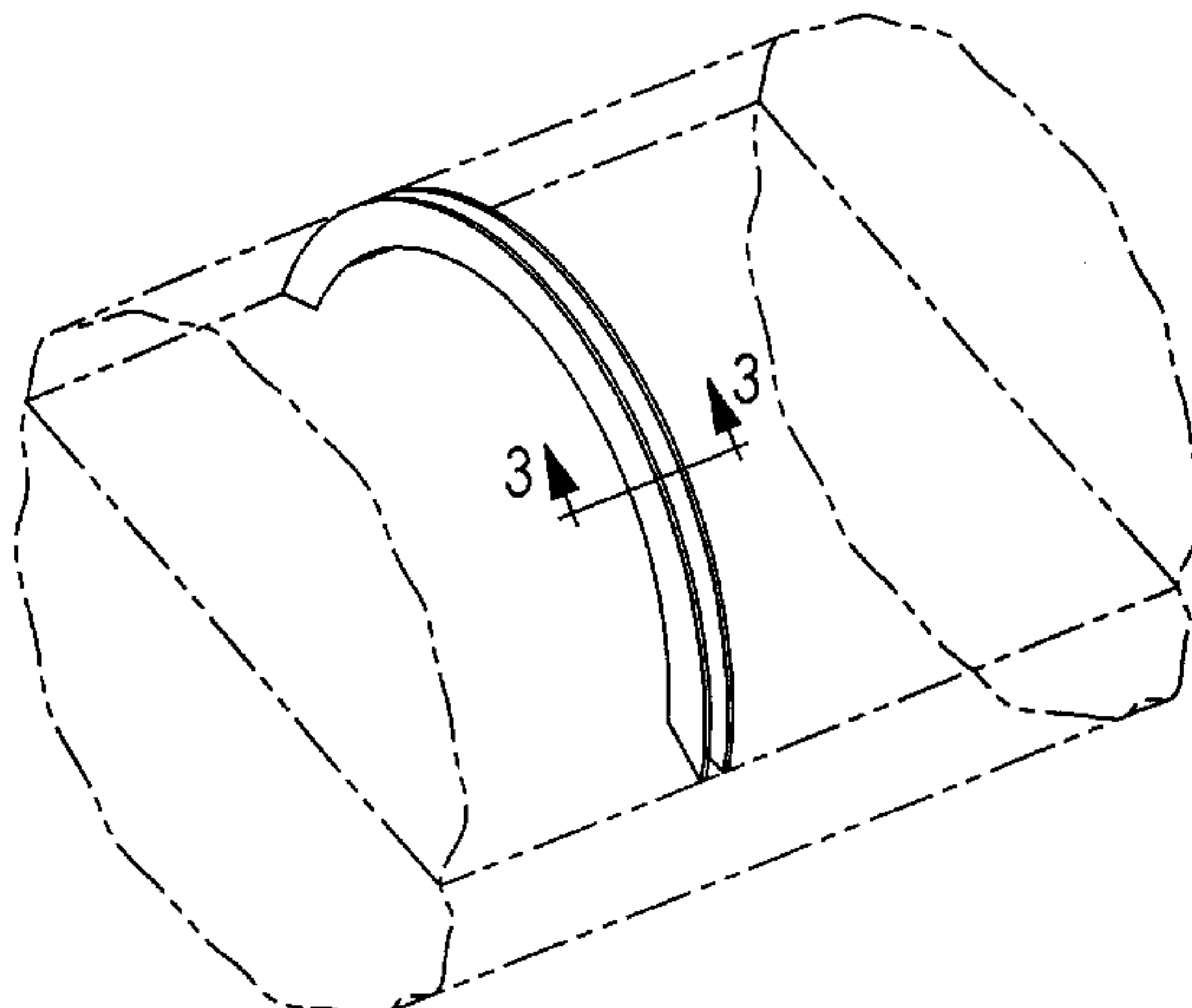
U.S. PATENT DOCUMENTS

909,715 A * 1/1909 Troegeler 220/8
2,111,325 A 3/1938 Forbush
2,111,326 A 3/1938 Norris
2,160,066 A 5/1939 Frische
2,287,970 A 6/1942 Albertine et al.
2,415,240 A 2/1947 Fouhy
2,519,109 A 8/1950 Callender
2,877,970 A 3/1959 Miller et al.
3,154,888 A 11/1964 Graham
3,330,506 A 7/1967 Robillard et al.
3,404,268 A 10/1968 Fowler
3,405,893 A 10/1968 Fernand et al.
3,445,286 A 5/1969 Knight et al.
4,055,317 A 10/1977 Greiss
4,487,034 A 12/1984 Cronin et al.
4,645,145 A 2/1987 Alie
4,876,828 A 10/1989 Brill
4,911,219 A 3/1990 Dalrymple
D315,024 S * 2/1991 Grey D25/58

DESCRIPTION

FIG. 1 is a perspective view of the interior archway for an aircraft;
FIG. 2 is a front plan view of the interior archway for an aircraft, with the back plan view being a mirror image thereof,
FIG. 3 is a cross-sectional view of the interior archway for an aircraft as shown in FIG. 2;
FIG. 4 is a top plan view of the interior archway for an aircraft;
FIG. 5 is a bottom plan view of the interior archway for an aircraft; and,
FIG. 6 is a first end view of the interior archway for an aircraft.
The broken lines shown in FIG. 1 illustrate unclaimed portions of an interior archway for an aircraft and form no part of the claimed design.

1 Claim, 2 Drawing Sheets



US D606,923 S

Page 2

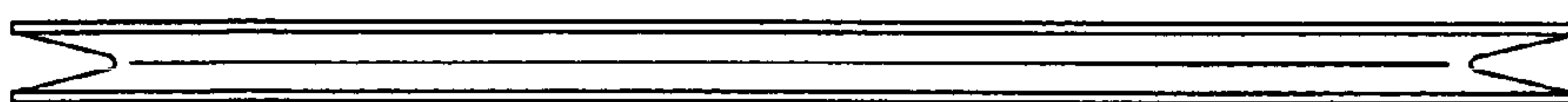
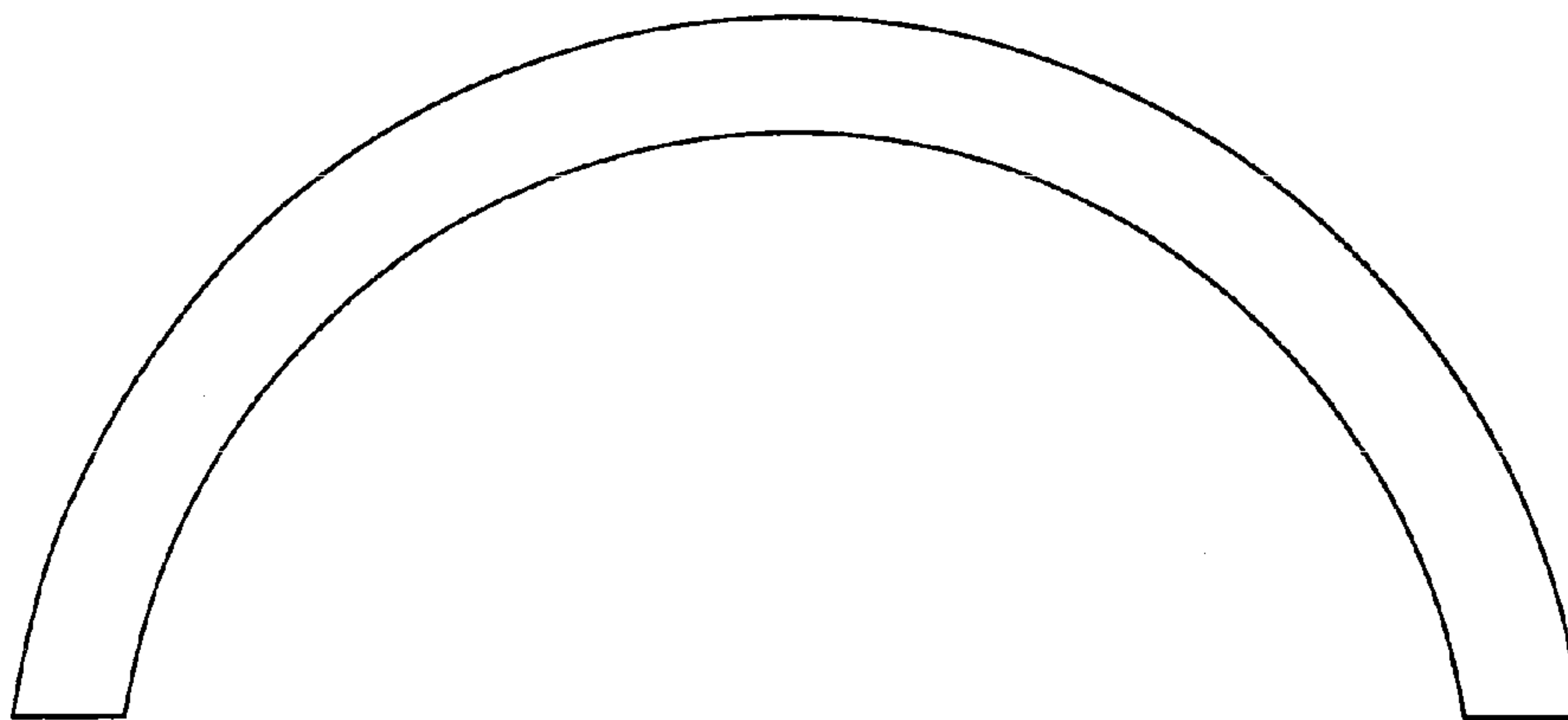
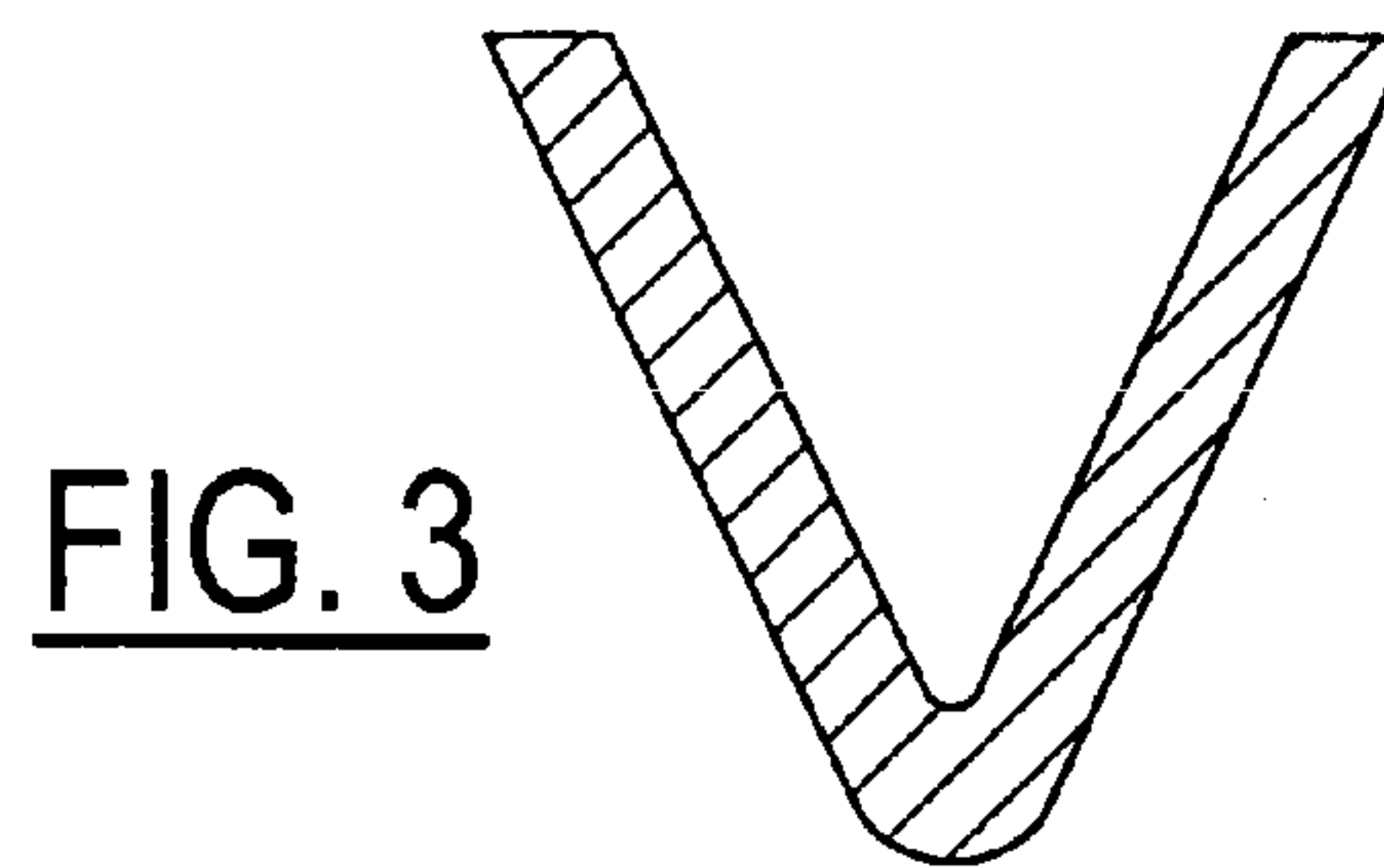
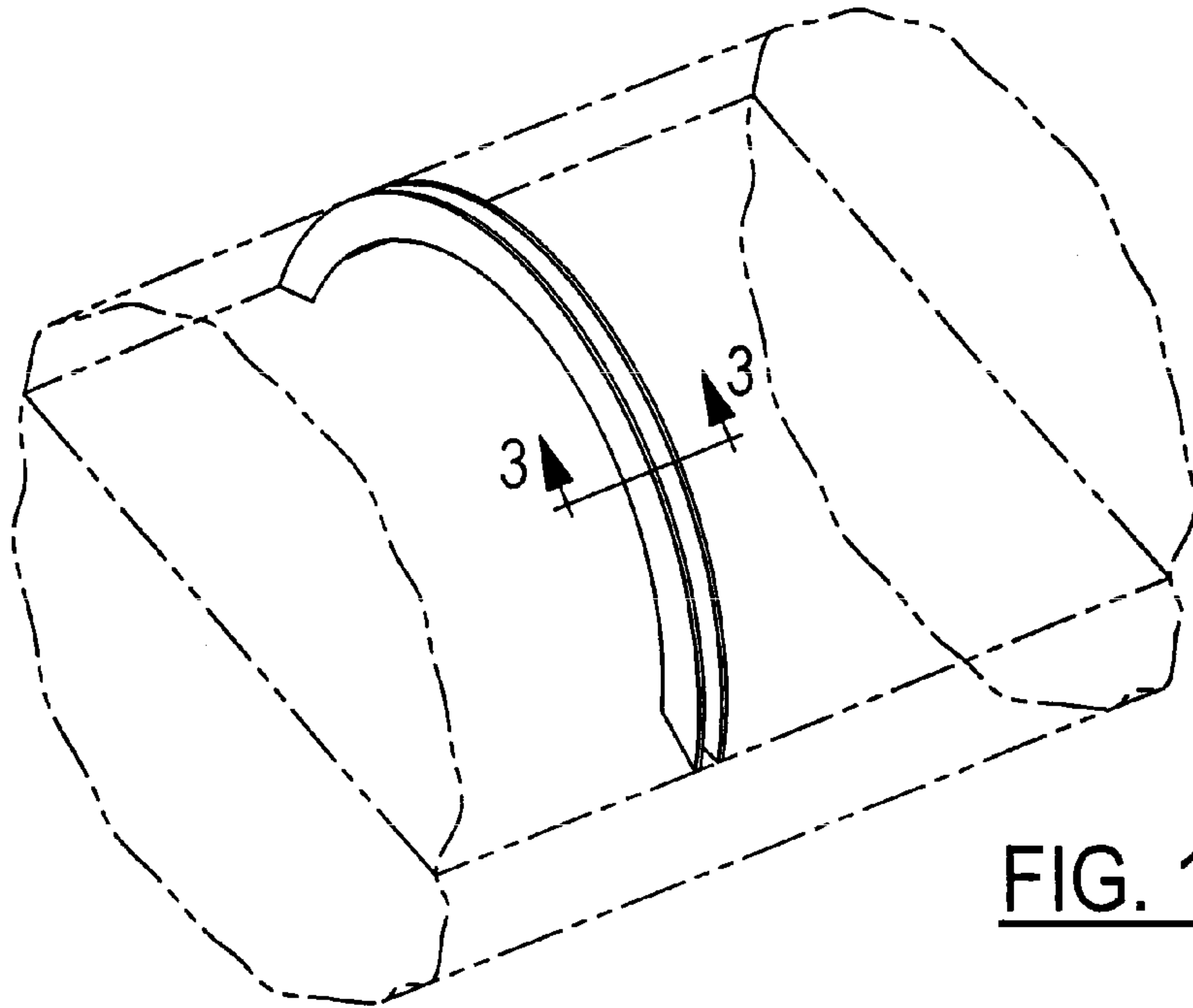
U.S. PATENT DOCUMENTS

D411,020 S * 6/1999 Cotton et al. D25/102
6,007,025 A 12/1999 Coughren et al.
6,082,075 A 7/2000 Rysgaard
6,158,690 A 12/2000 Wadey et al.
6,205,605 B1 * 3/2001 Orsat 14/26
6,212,835 B1 4/2001 Schiedegger et al.
D455,705 S * 4/2002 Granzeier et al. D12/345
D463,357 S * 9/2002 Granzeier et al. D12/345
6,491,254 B1 12/2002 Walkinshaw et al.
D506,265 S * 6/2005 Wang D25/56
D539,210 S * 3/2007 Guard et al. D12/345
7,516,919 B2 * 4/2009 Young et al. 244/118.5
2005/0183347 A1 * 8/2005 Barry et al. 52/86
2007/0241234 A1 * 10/2007 Young et al. 244/119
2008/0210815 A1 * 9/2008 Young et al. 244/118.5

FOREIGN PATENT DOCUMENTS

EP 0325756 8/1989
EP 0325756 U1 8/1989
EP 0774815 5/1997
EP 0774815 B1 5/1997
EP 0867365 9/1998
EP 1106502 6/2001
FR 876942 11/1942
FR 933414 4/1948
FR 2303711 8/1976
WO WO 92/18730 10/1992
WO WO 02/066324 A2 8/2002

* cited by examiner



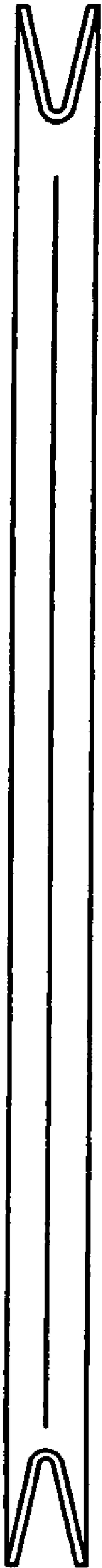


FIG. 5

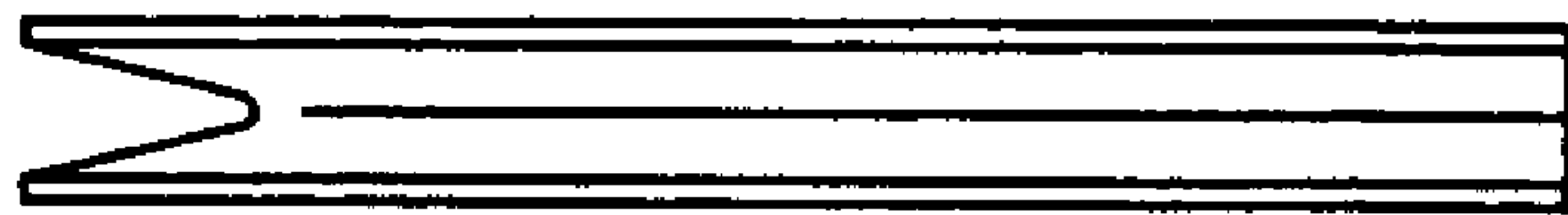


FIG. 6