



US00D606916S

(12) **United States Design Patent**
Settineri

(10) **Patent No.:** **US D606,916 S**
(45) **Date of Patent:** **** Dec. 29, 2009**

(54) **CLUTCHING HOUSING**

(75) Inventor: **Samuel E. Settineri**, Marshall, MI (US)

(73) Assignee: **BorgWarner Inc.**, Auburn Hills, MI (US)

(**) Term: **14 Years**

(21) Appl. No.: **29/299,271**

(22) Filed: **Dec. 21, 2007**

(51) **LOC (9) Cl.** **12-16**

(52) **U.S. Cl.** **D12/180**

(58) **Field of Classification Search** D12/174,
D12/400, 180, 206; 188/73.3, 71.1, 73.31-73.39,
188/72.4, 72.2, 73.41, 73.42-73.46, 370,
188/218 XL, 1.11 W, 24.11-24.22, 250 B,
188/73.1, 250 R, 264 R, 264 W; D8/333,
D8/334; 192/12 R, 13 R; 310/92, 93
See application file for complete search history.

(56) **References Cited**

U.S. PATENT DOCUMENTS

D103,682 S *	3/1937	Kerr	D12/206
2,412,406 A *	12/1946	Kerezi et al.	244/103 S
D172,292 S *	5/1954	Lyon	D12/206
D184,573 S *	3/1959	Lyon	D12/204
D344,058 S *	2/1994	Jones	D12/180
D375,285 S *	11/1996	Honer	D12/206

D399,177 S *	10/1998	Perry	D12/198
D416,529 S *	11/1999	Schardt	D12/208
D433,369 S *	11/2000	Chung	D12/208
D438,499 S *	3/2001	Schardt	D12/208
6,758,532 B2 *	7/2004	Rhee	301/37.43
D513,486 S *	1/2006	Rivera	D12/208
D538,730 S *	3/2007	Thurner	D21/209
2006/0043782 A1 *	3/2006	Houten	301/37.43

* cited by examiner

Primary Examiner—Robert M Spear

Assistant Examiner—Cynthia Underwood

(57) **CLAIM**

The ornamental design for the clutch housing, as shown and described.

DESCRIPTION

FIG. 1 is a perspective view of the clutch housing;

FIG. 2 is a front view of the clutch housing;

FIG. 3 is a rear view of the clutch housing;

FIG. 4 is a side view of the clutch housing, all other side views being the same; and,

FIG. 5 is a cross-sectional view of the clutch housing taken along line 5—5 in FIG. 3.

The broken lines in the drawings show environment and form no part of the claimed design.

1 Claim, 2 Drawing Sheets

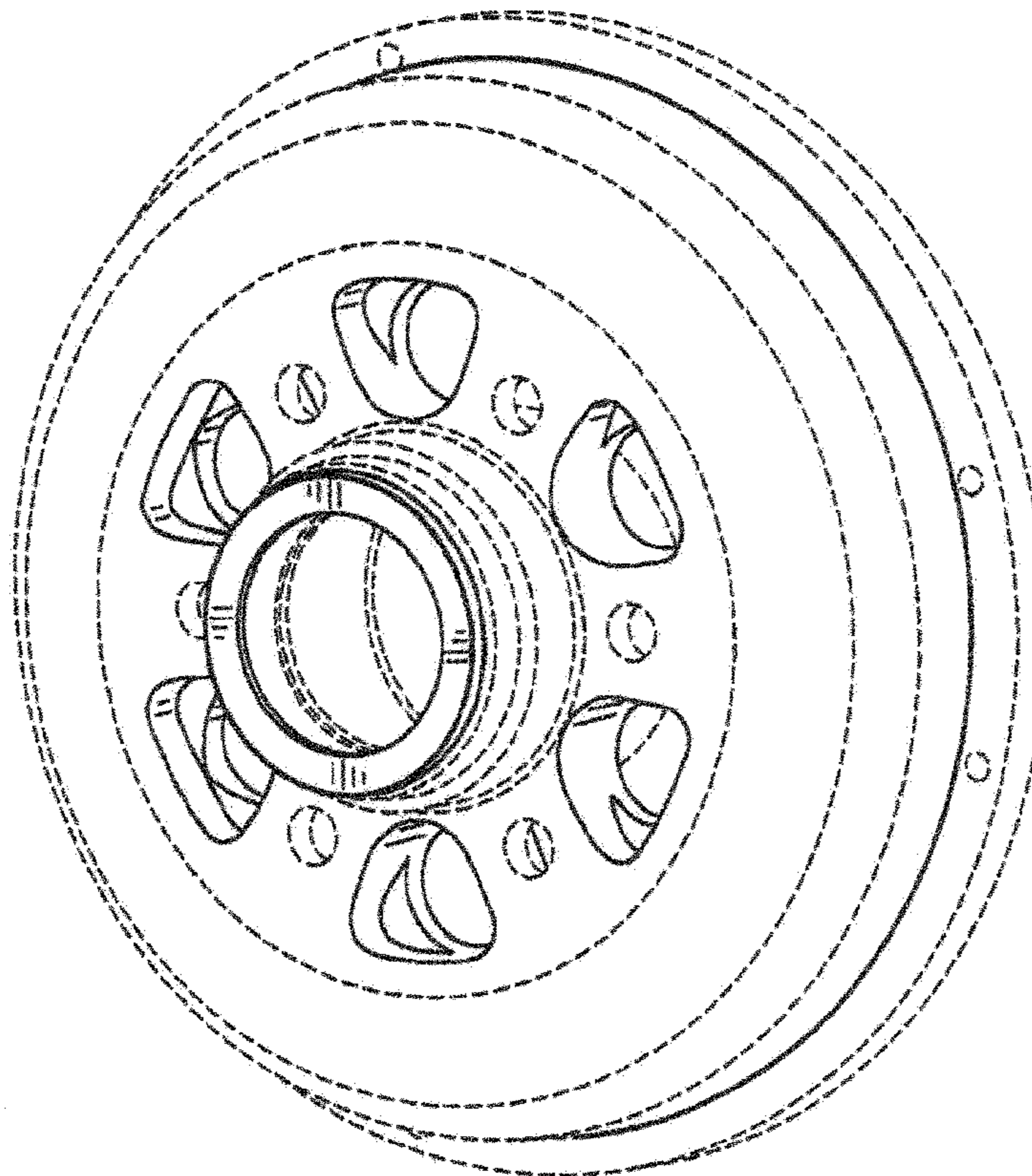


FIG. 1

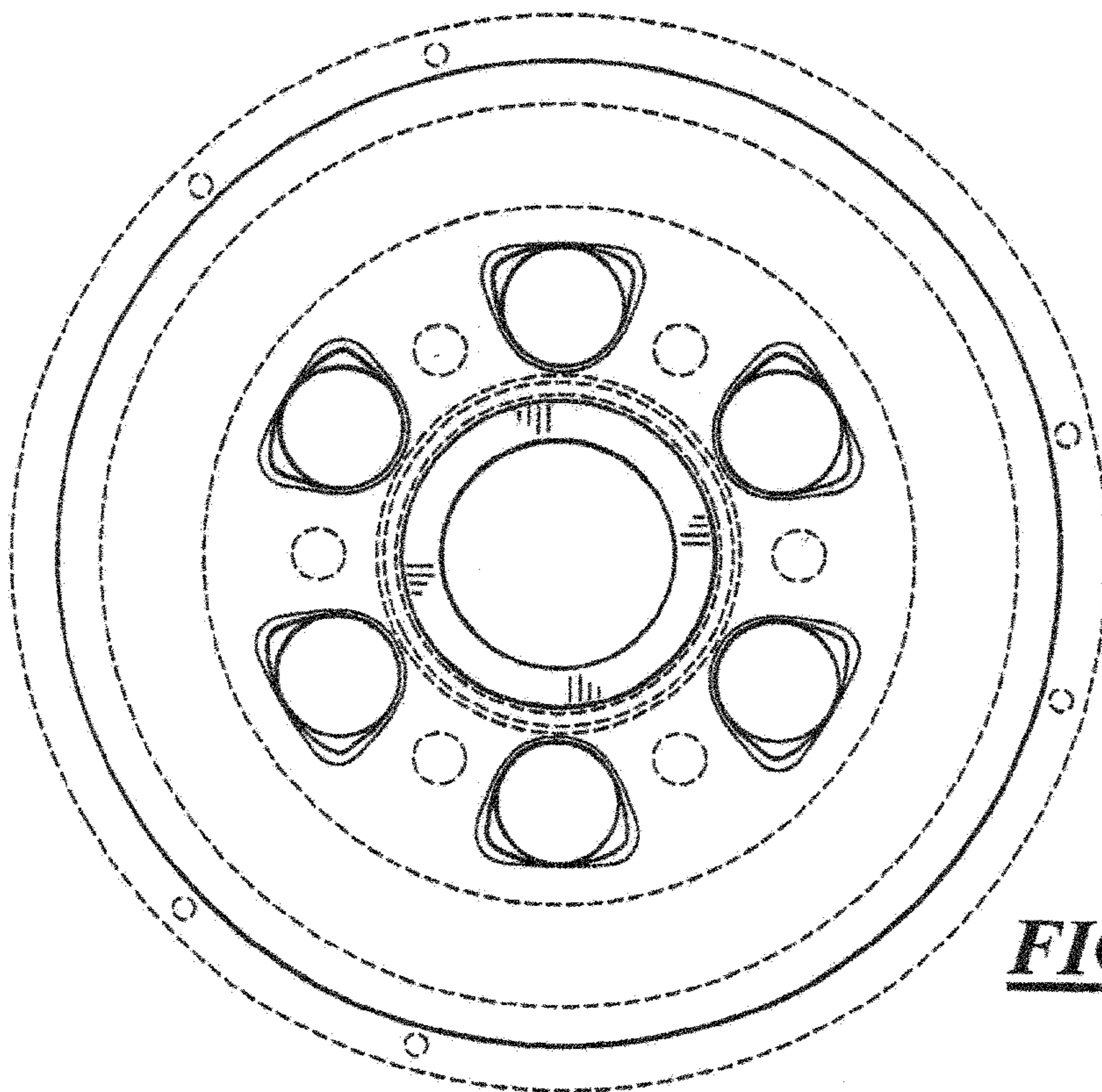
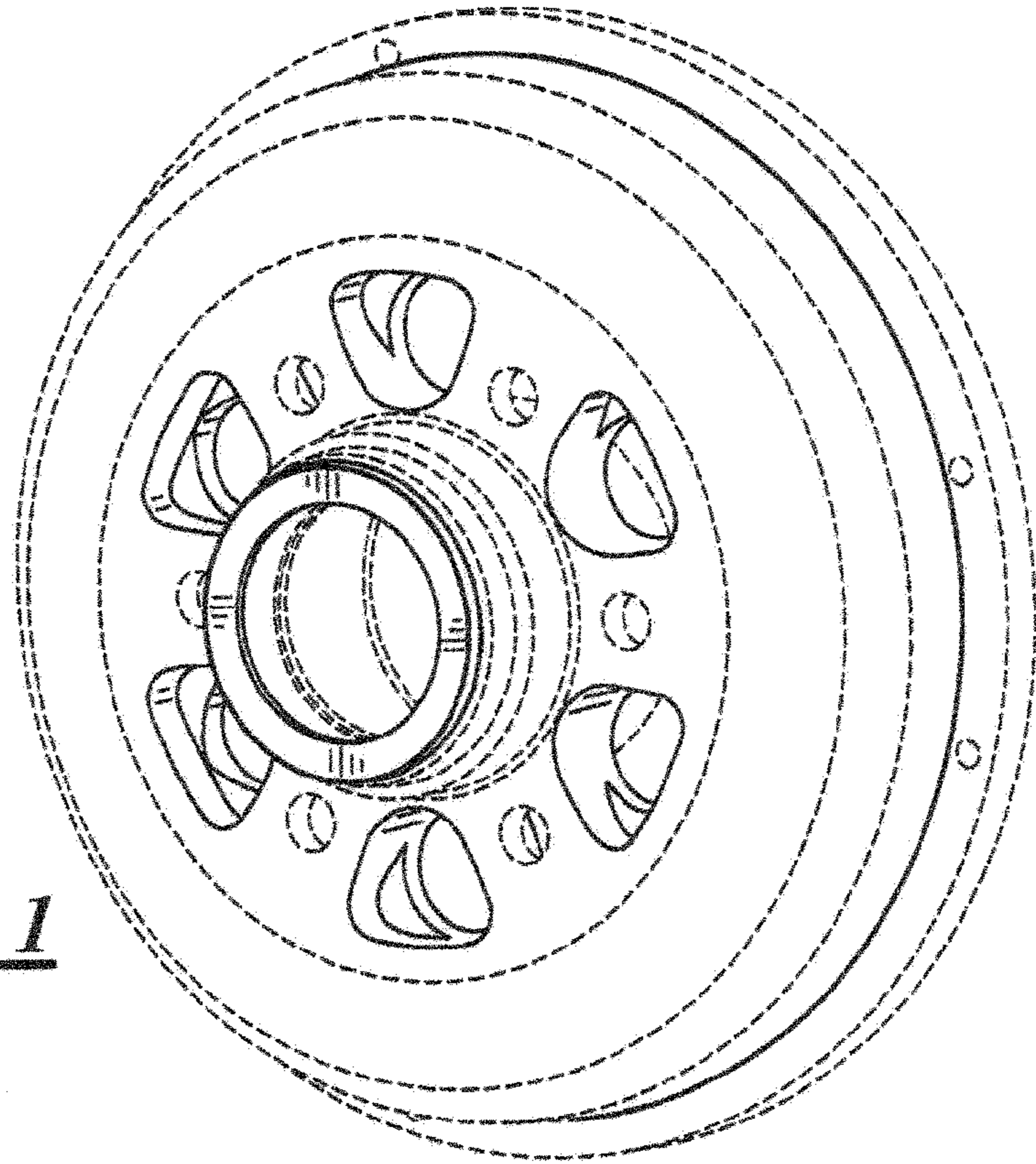


FIG. 2

