



US00D606914S

(12) **United States Design Patent**  
**Pohanka**

(10) **Patent No.:** **US D606,914 S**

(45) **Date of Patent:** **\*\* Dec. 29, 2009**

(54) **UNIT OF CONTROL ELEMENTS FOR A VEHICLE STEERING WHEEL**

D536,288 S \* 2/2007 Norman et al. .... D12/176  
D563,294 S \* 3/2008 Shimizu et al. .... D12/176  
D564,952 S \* 3/2008 Shinshima et al. .... D12/176

(75) Inventor: **Martin Pohanka**, Stuttgart (DE)

\* cited by examiner

(73) Assignee: **Dr. Ing. h.c. F. Porsche AG**, Weissach (DE)

*Primary Examiner*—Melody N Brown

(\*\*) Term: **14 Years**

(57) **CLAIM**

(21) Appl. No.: **29/281,540**

The ornamental design for a unit of control elements for a vehicle steering wheel, as shown and described.

(22) Filed: **Jun. 26, 2007**

**DESCRIPTION**

(30) **Foreign Application Priority Data**

Dec. 27, 2006 (DE) ..... 4 06 06 483

FIG. 1 is a top and front perspective view of a unit of control elements for a vehicle steering wheel showing my new design shown on the left side portion of a steering wheel shown in broken lines that forms no part of the claimed design;

(51) **LOC (9) Cl.** ..... **12-16**

(52) **U.S. Cl.** ..... **D12/176; D12/174**

(58) **Field of Classification Search** ..... D12/174, D12/175-177, 192; 74/552, 558, 558.5, 74/490.14; 280/259; 403/257

FIG. 2 is a top and front perspective view of the unit of control elements for a vehicle steering wheel on the right side portion of the steering wheel shown in broken lines that forms no part of the claimed design;

See application file for complete search history.

FIG. 3 is a left-side perspective view thereof;

(56) **References Cited**

**U.S. PATENT DOCUMENTS**

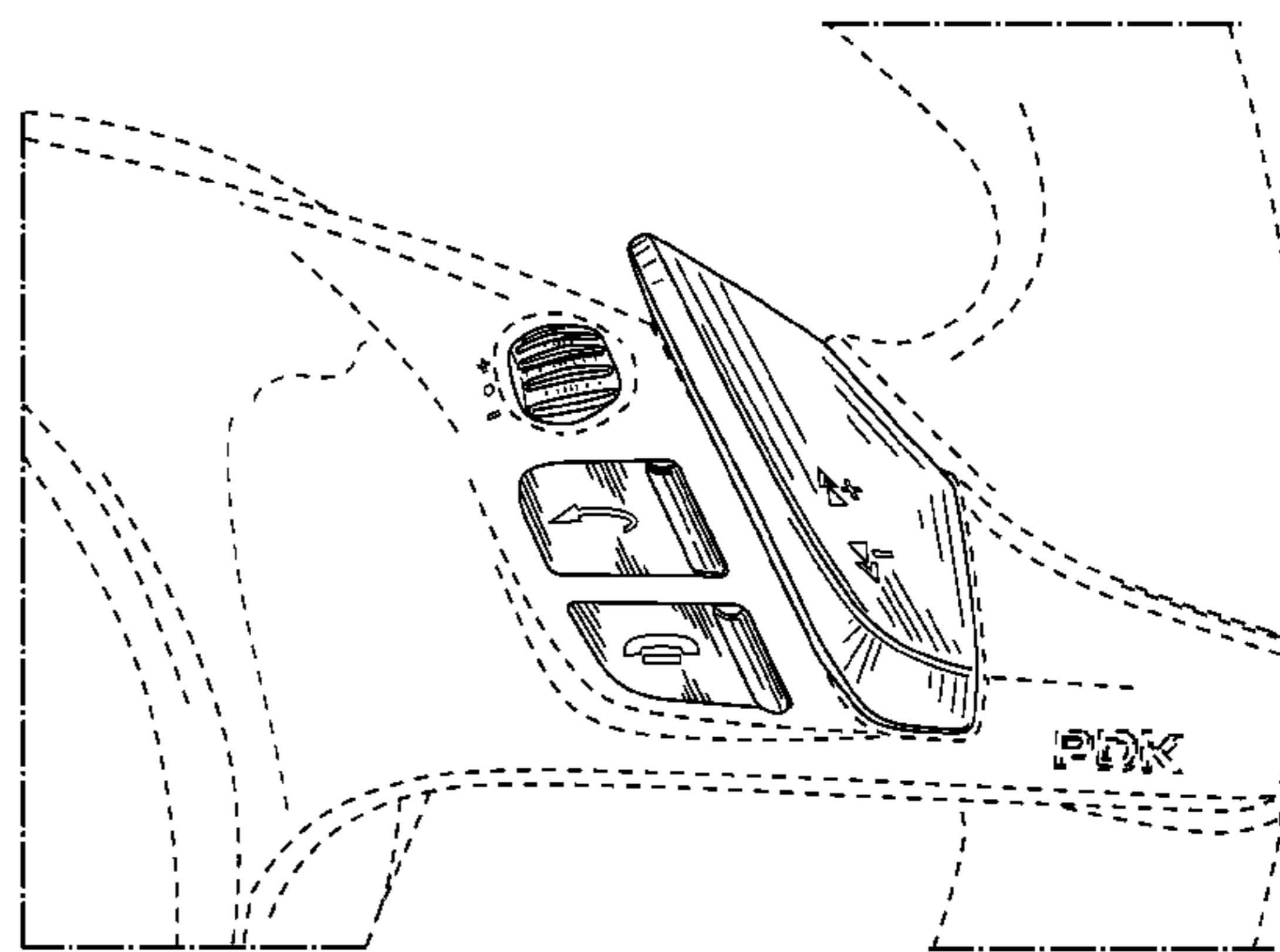
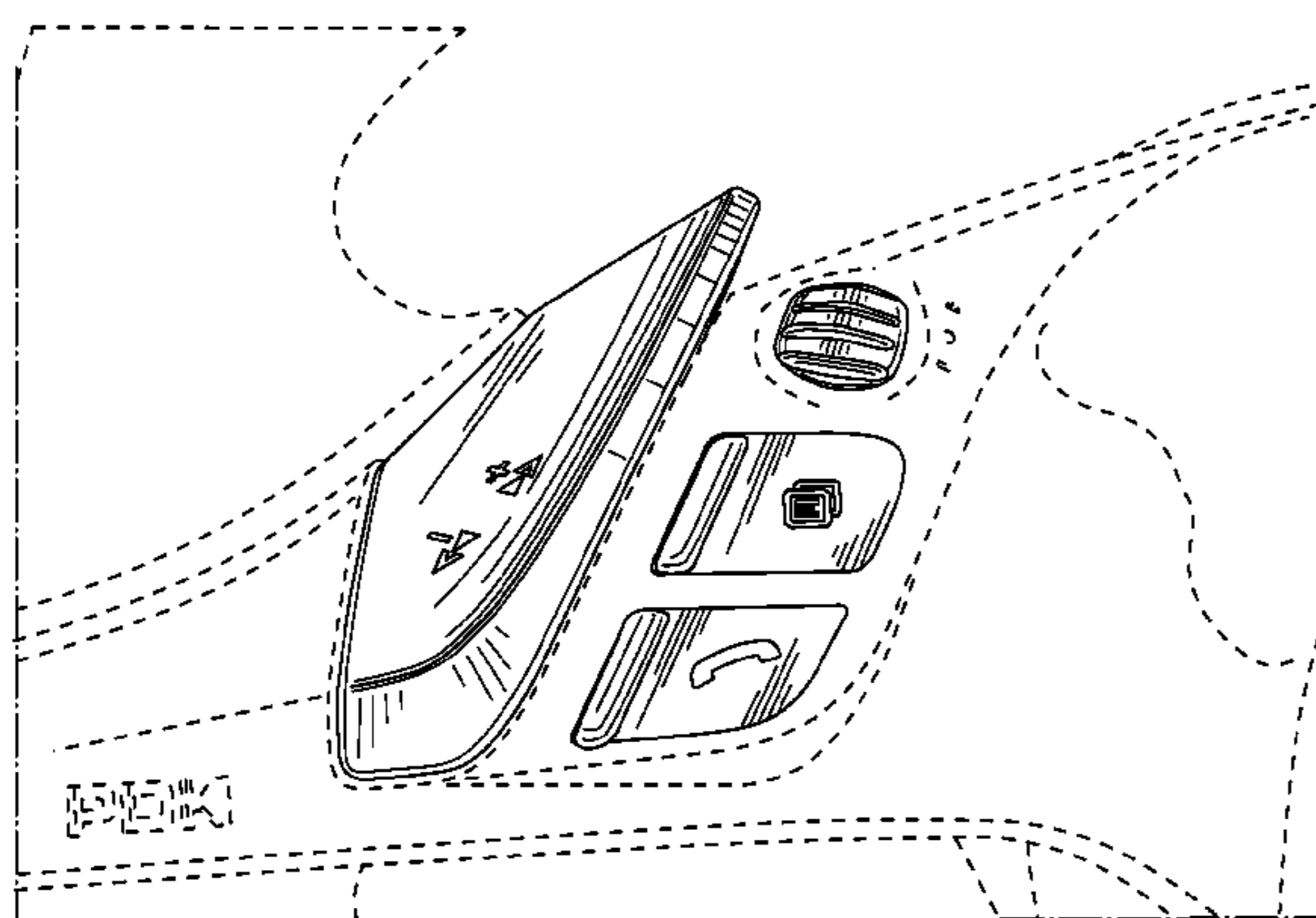
D511,485 S \* 11/2005 Juraschek et al. .... D12/176  
D514,485 S \* 2/2006 Juraschek et al. .... D12/176  
D525,573 S \* 7/2006 Young ..... D12/176  
D534,465 S \* 1/2007 Wiedeman et al. .... D12/176

FIG. 4 is a right-side perspective view thereof; and,

FIG. 5 is a front view thereof.

In the drawings, the broken lines show environmental subject matter which forms no part of the claim.

**1 Claim, 3 Drawing Sheets**



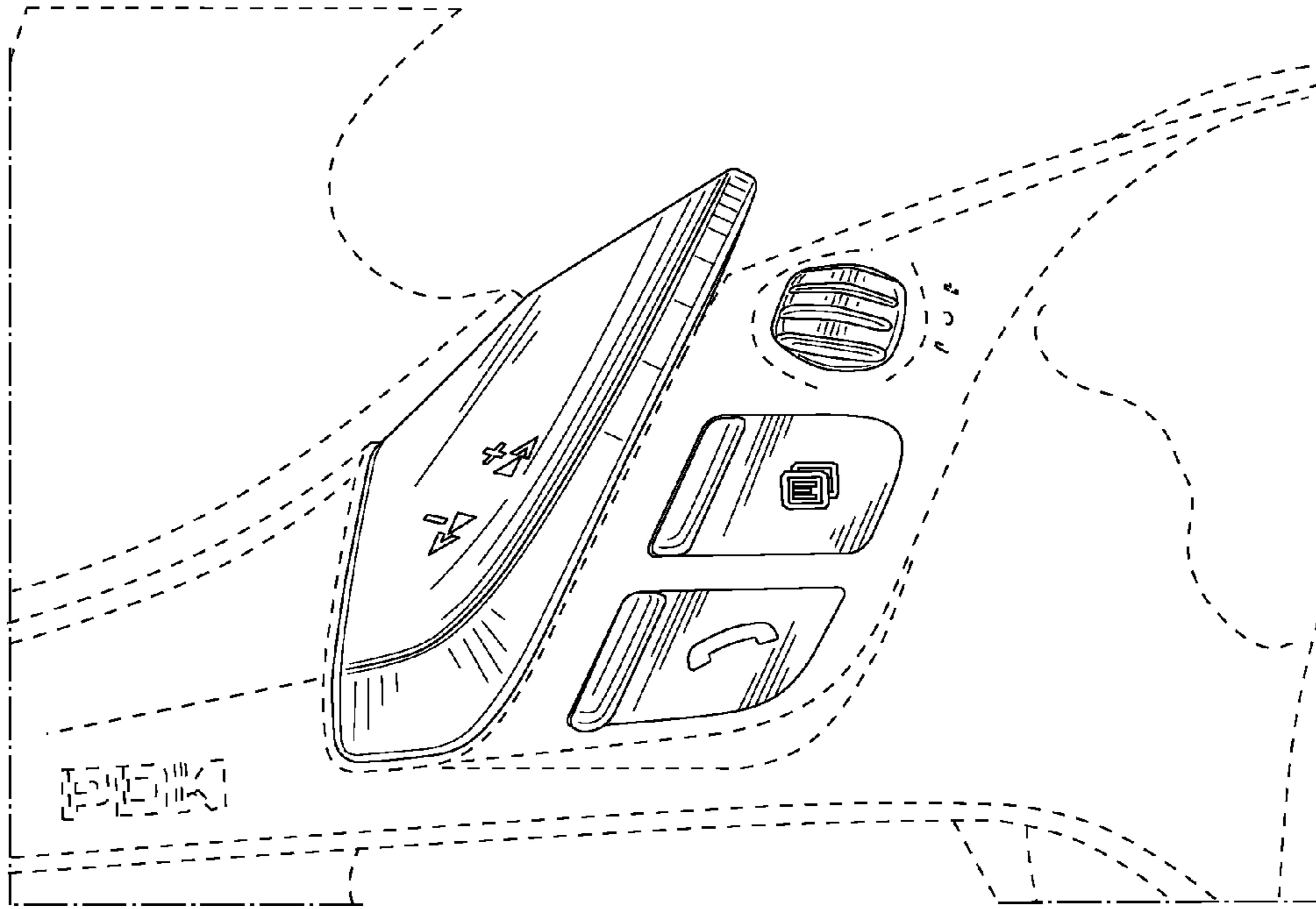


FIG. 1

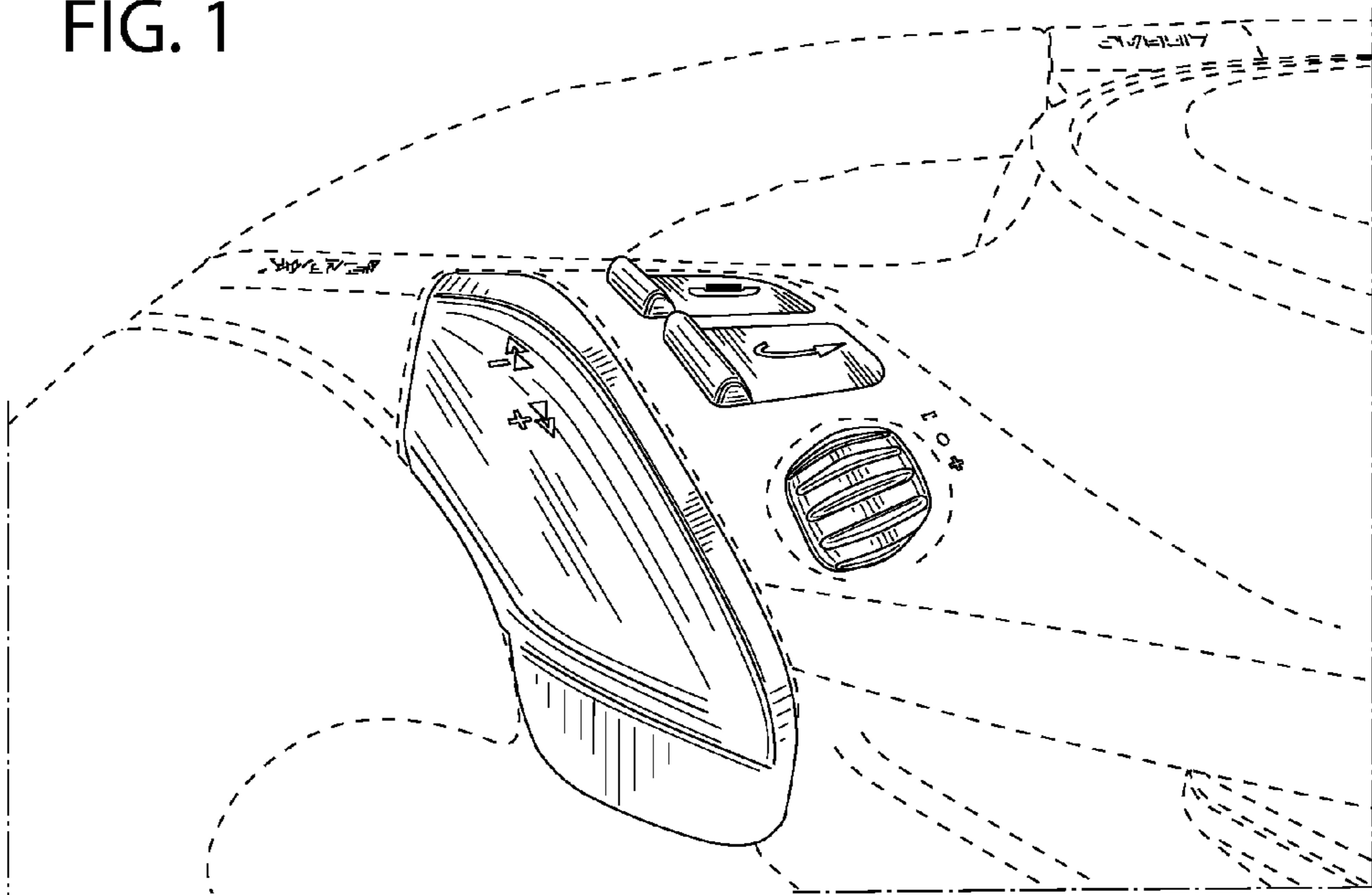


FIG. 2

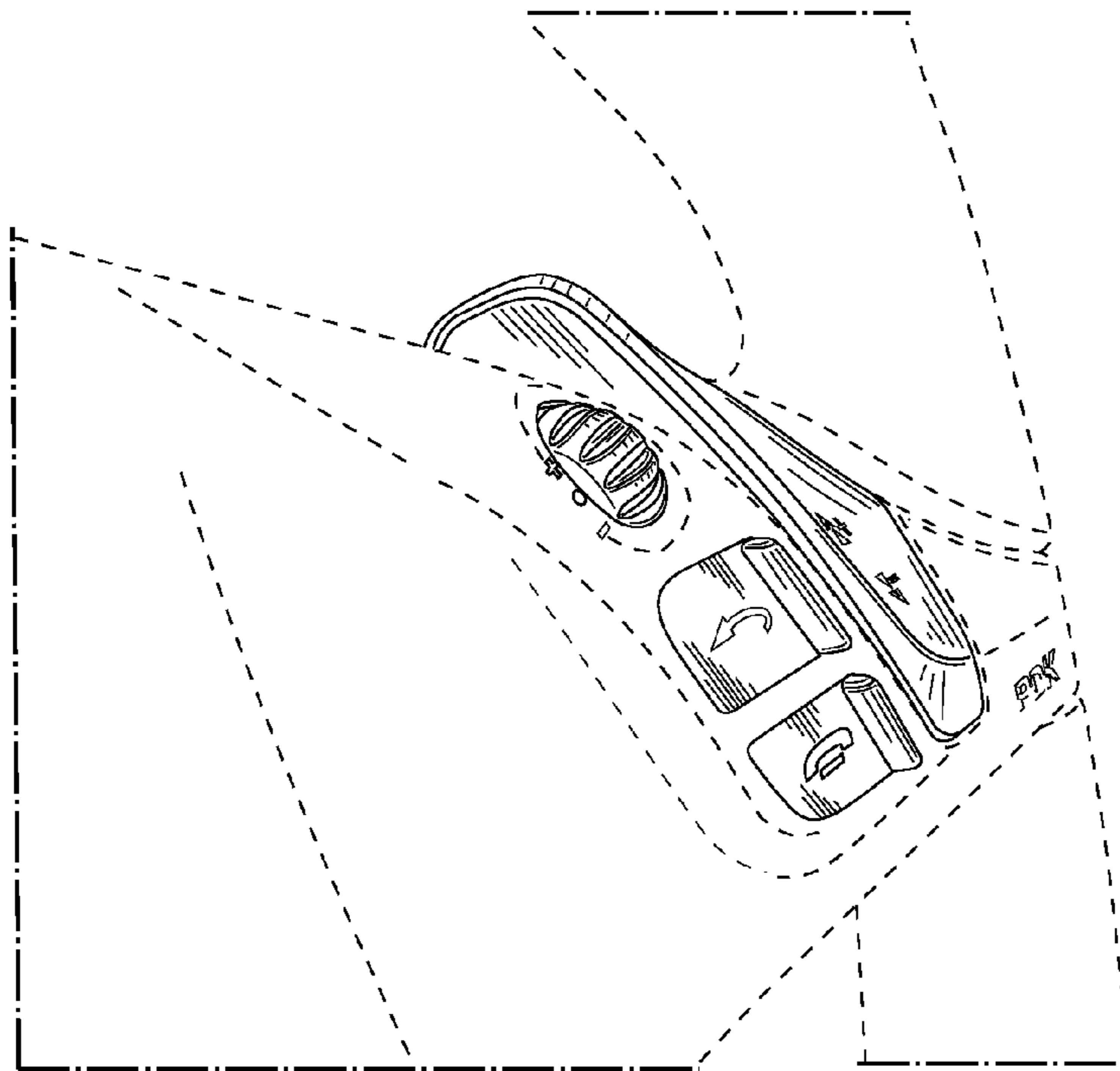
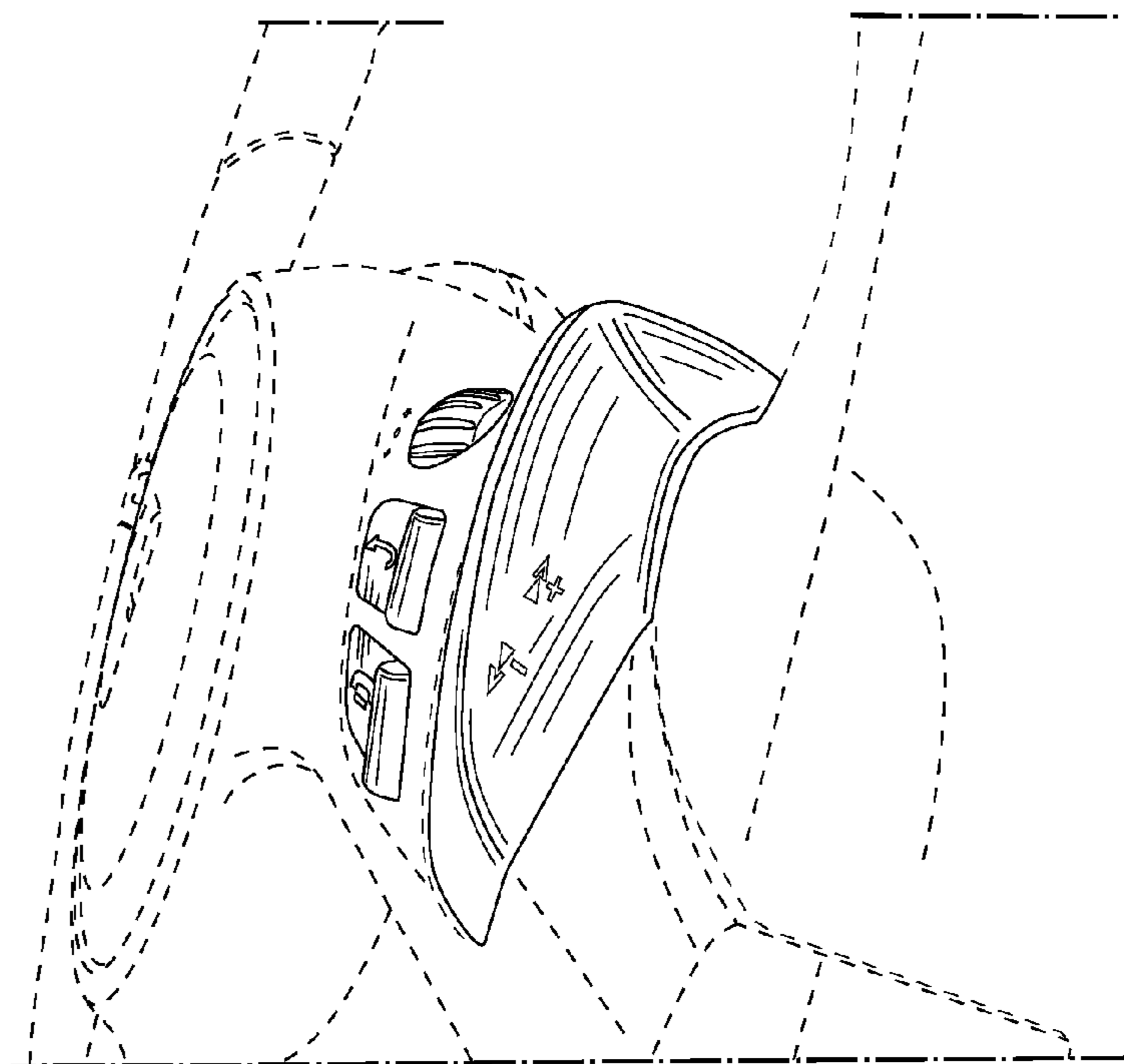


FIG. 3

FIG. 4



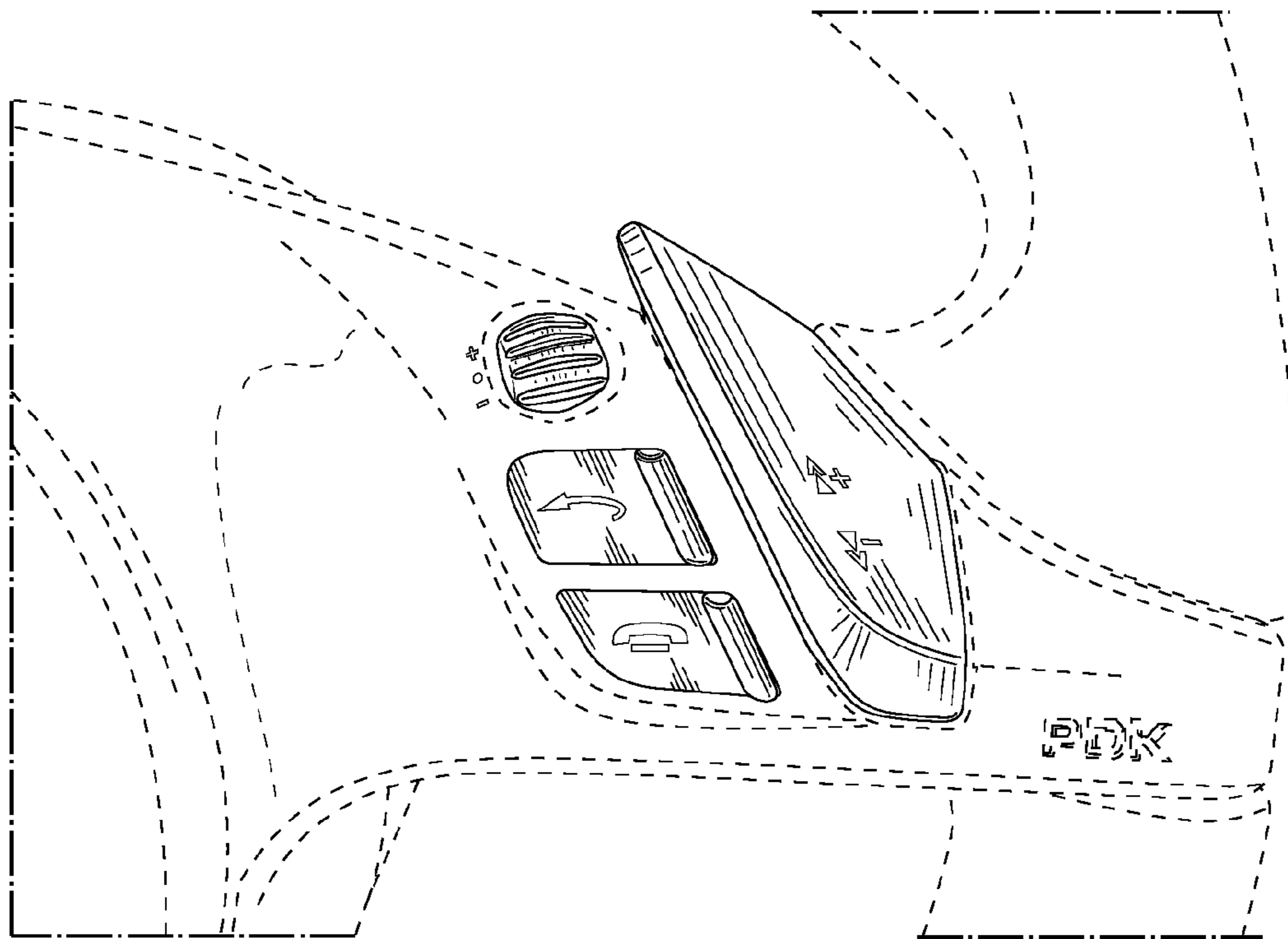


FIG. 5