



US00D606910S

(12) **United States Design Patent**
Malassigne et al.

(10) **Patent No.:** **US D606,910 S**

(45) **Date of Patent:** **** Dec. 29, 2009**

(54) **PRONE CART**

(75) Inventors: **Pascal Malassigne**, White Fish Bay, WI (US); **Jeffrey Harrow**, Lutz, FL (US); **Robert Jensen**, Milwaukee, WI (US); **John Erdman**, Sturtevant, WI (US)

(73) Assignees: **The United States of America as represented by the United States Department of Veterans Affairs**, Washington, DC (US); **Medical College of Wisconsin**, Milwaukee, WI (US); **University of South Florida**, Tampa, FL (US)

(**) Term: **14 Years**

(21) Appl. No.: **29/319,243**

(22) Filed: **Jun. 5, 2008**

(51) **LOC (9) Cl.** **12-12**

(52) **U.S. Cl.** **D12/132**

(58) **Field of Classification Search** D12/128-133;
296/65.03, 65.04; 224/409; 297/DIG. 4;
280/62, 647-650, 29, 200, 47.38, 250.1,
280/259, 642, 658; 5/428, 430, 617

See application file for complete search history.

(56) **References Cited**

U.S. PATENT DOCUMENTS

D289,992 S * 5/1987 Schragar D12/132

5,197,156 A * 3/1993 Stryker et al. 5/428
6,253,397 B1 * 7/2001 Bartow et al. 5/430
D454,319 S * 3/2002 Ito D12/131
7,100,222 B2 * 9/2006 Metz et al. 5/430
7,469,433 B2 * 12/2008 Ruehl et al. 5/617

* cited by examiner

Primary Examiner—Charles A Rademaker

Assistant Examiner—Charles D Hanson

(57) **CLAIM**

The ornamental design for a prone cart, as shown and described.

DESCRIPTION

This invention was made with the support of the Department of Veterans Affairs, Government of the United States under a merit review grant to the Milwaukee and Tampa Veterans Affairs Medical Centers. The Government retains certain rights in the invention.

FIG. 1 is a perspective view of a prone cart showing our new design.

FIG. 2 is a right side view of the prone cart of FIG. 1; the left side is a mirror image thereof

FIG. 3 is a plan view of the prone cart of FIG. 1.

FIG. 4 is a front view of the prone cart of FIG. 1; and,

FIG. 5 is a rear view of the prone cart of FIG. 1.

1 Claim, 4 Drawing Sheets

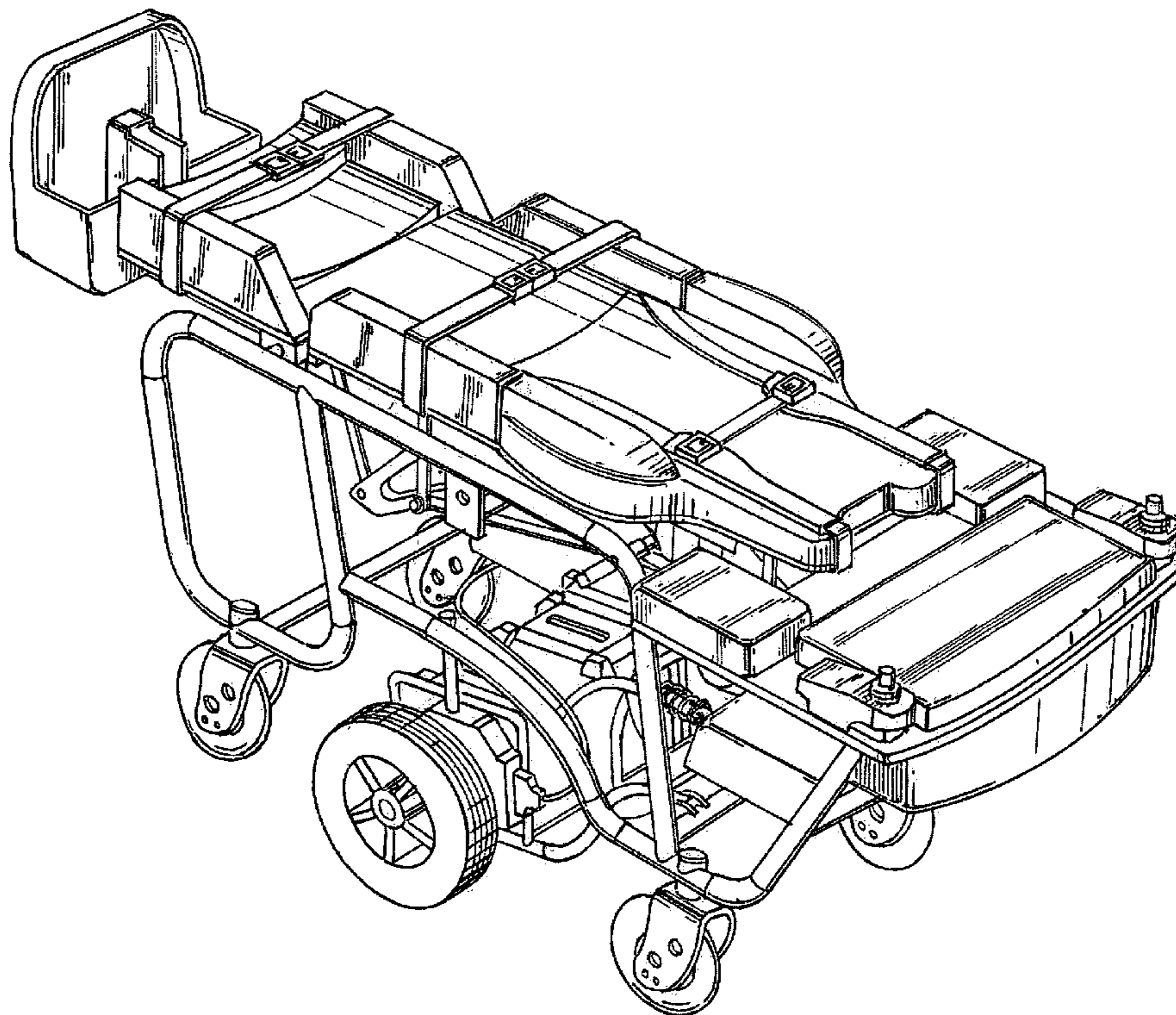


FIG. 1

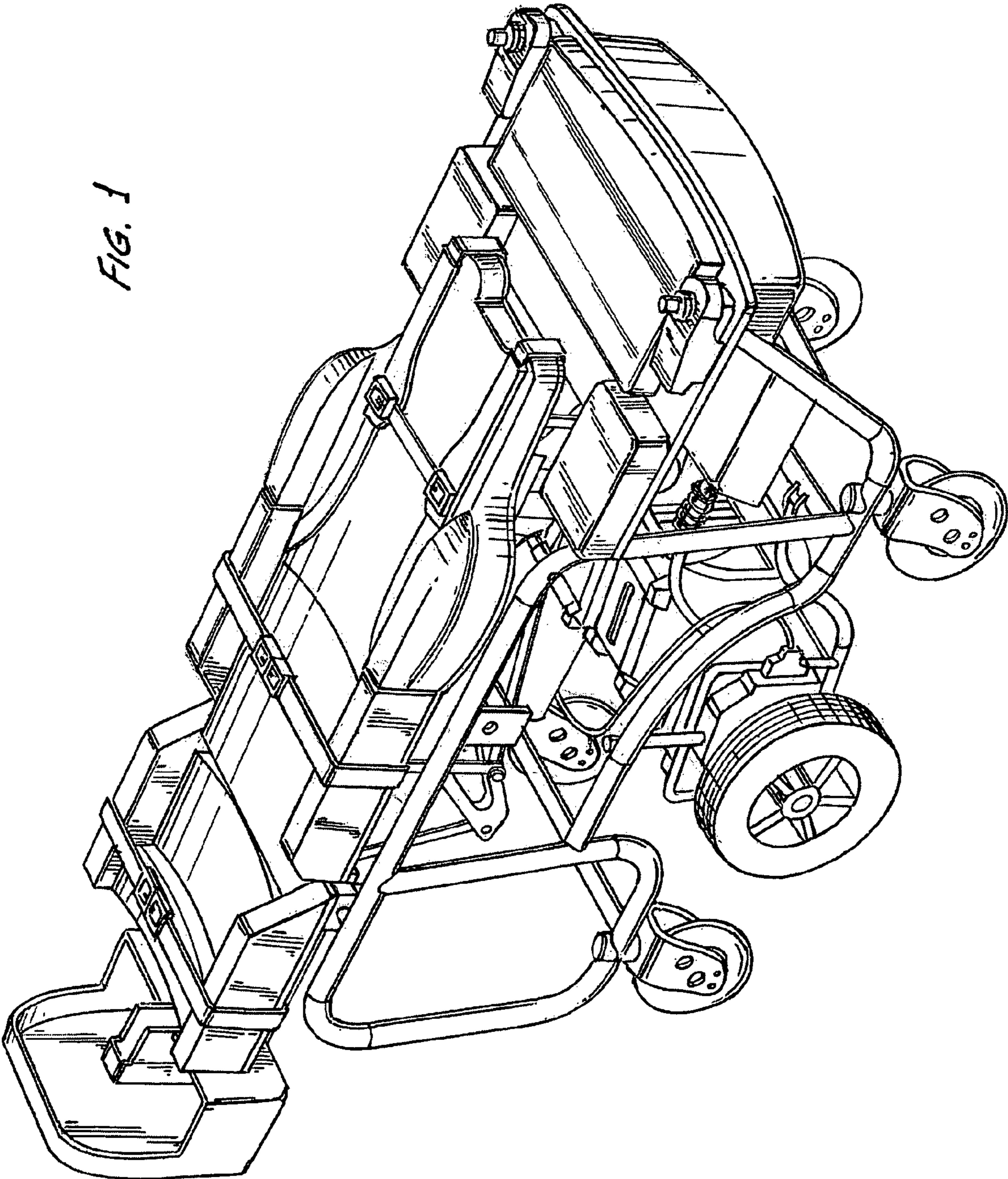


FIG. 2

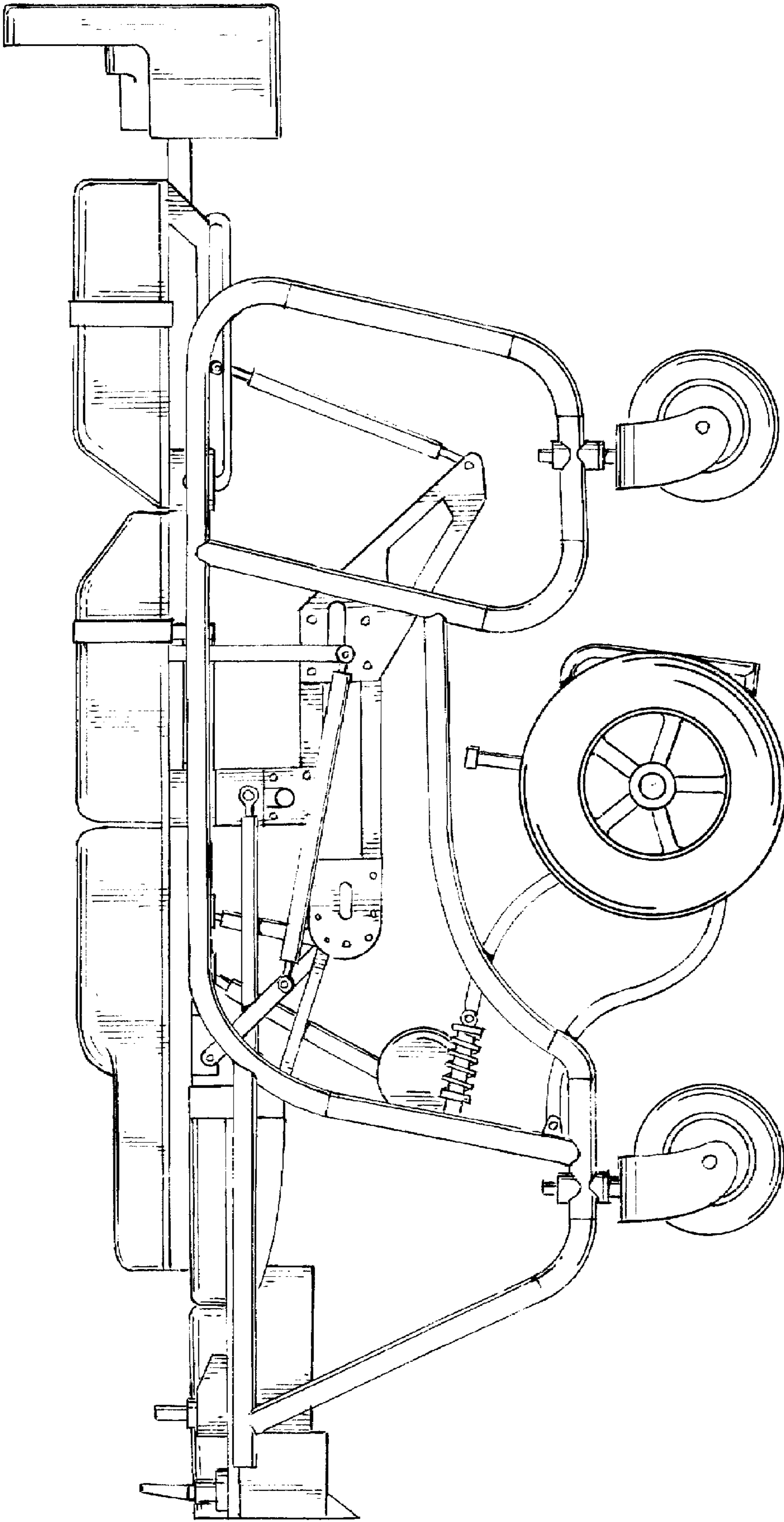


FIG. 3

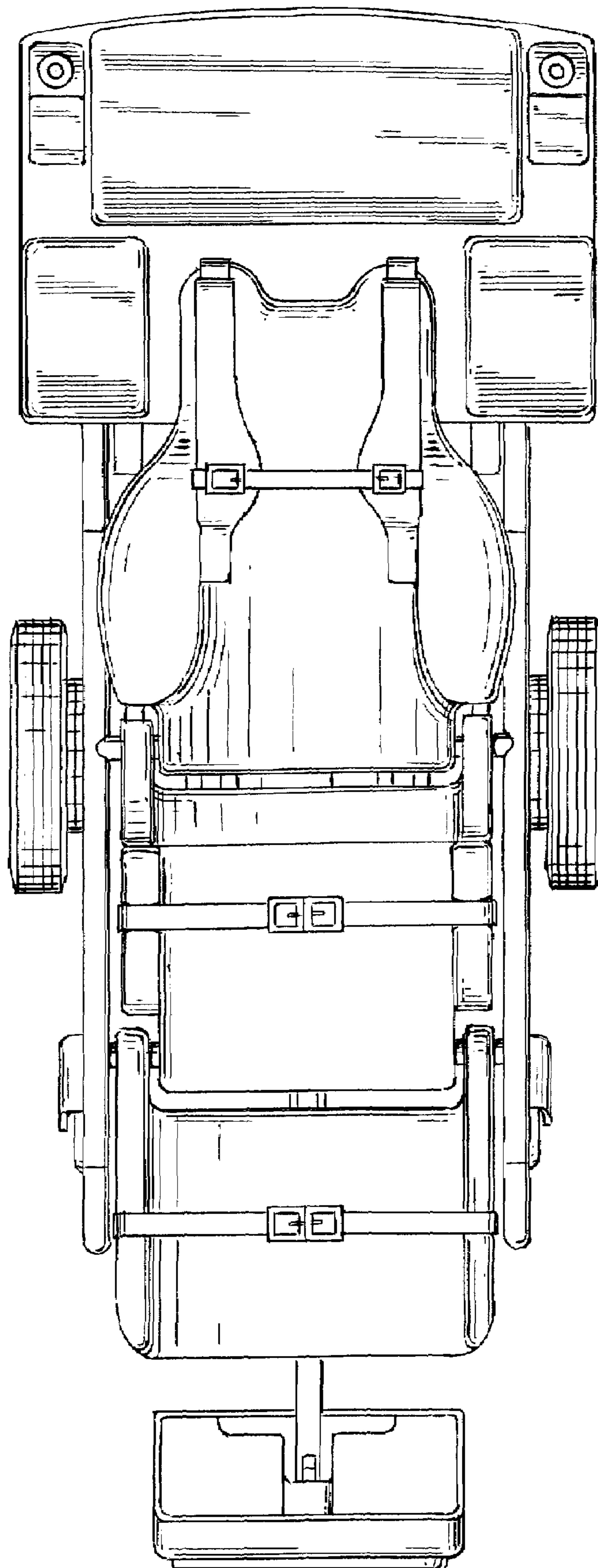


FIG. 5

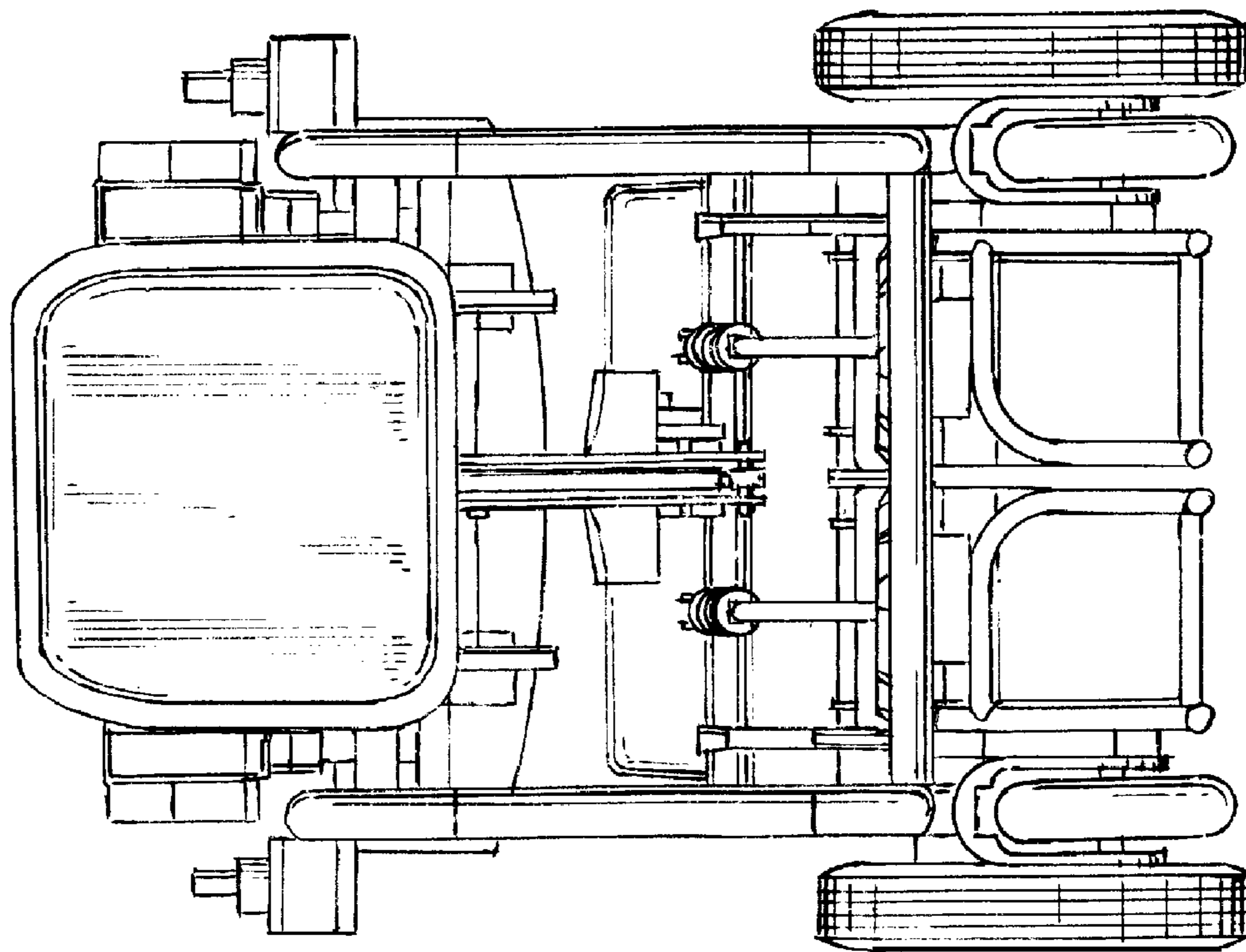


FIG. 4

