



US00D606904S

(12) **United States Design Patent**
Greer

(10) **Patent No.:** **US D606,904 S**

(45) **Date of Patent:** **** Dec. 29, 2009**

(54) **ATV TRAILER**

(75) Inventor: **David M. Greer**, Fairbanks, AK (US)

(73) Assignee: **Greer Tank, Inc.**, Fairbanks, AK (US)

(**) Term: **14 Years**

(21) Appl. No.: **29/342,289**

(22) Filed: **Aug. 21, 2009**

Related U.S. Application Data

(62) Division of application No. 29/296,141, filed on Oct. 15, 2007, now Pat. No. Des. 601,059.

(51) **LOC (9) Cl.** **12-10**

(52) **U.S. Cl.** **D12/102**

(58) **Field of Classification Search** D12/101-102,
D12/106; 280/202, 204, 475, 656, 163, 164.1-166,
280/169, 607; 296/37.6; 224/404; 220/200,
220/210, 1.5; 52/846, 630
See application file for complete search history.

(56) **References Cited**

U.S. PATENT DOCUMENTS

D240,213 S * 6/1976 Beckwith D12/102
D265,301 S * 7/1982 Zander D12/102
D268,101 S * 3/1983 Pope et al. D12/104

D272,996 S * 3/1984 Trabue et al. D12/102
D326,629 S * 6/1992 Holler et al. D12/102
D378,583 S * 3/1997 Aitken, III D12/102
D389,439 S * 1/1998 Friedrich D12/102
D391,526 S * 3/1998 Kass et al. D12/102
D464,916 S * 10/2002 Golenz et al. D12/102
D501,430 S * 2/2005 Cox et al. D12/102
D594,385 S * 6/2009 Cadotte D12/102

* cited by examiner

Primary Examiner—Stacia Cadmus

(74) *Attorney, Agent, or Firm*—Lock Lord Bissell & Liddell LLP

(57) **CLAIM**

The ornamental design for an ATV trailer, as shown and described.

DESCRIPTION

FIG. 1. is a perspective view of an ATV trailer, illustrating my new design.

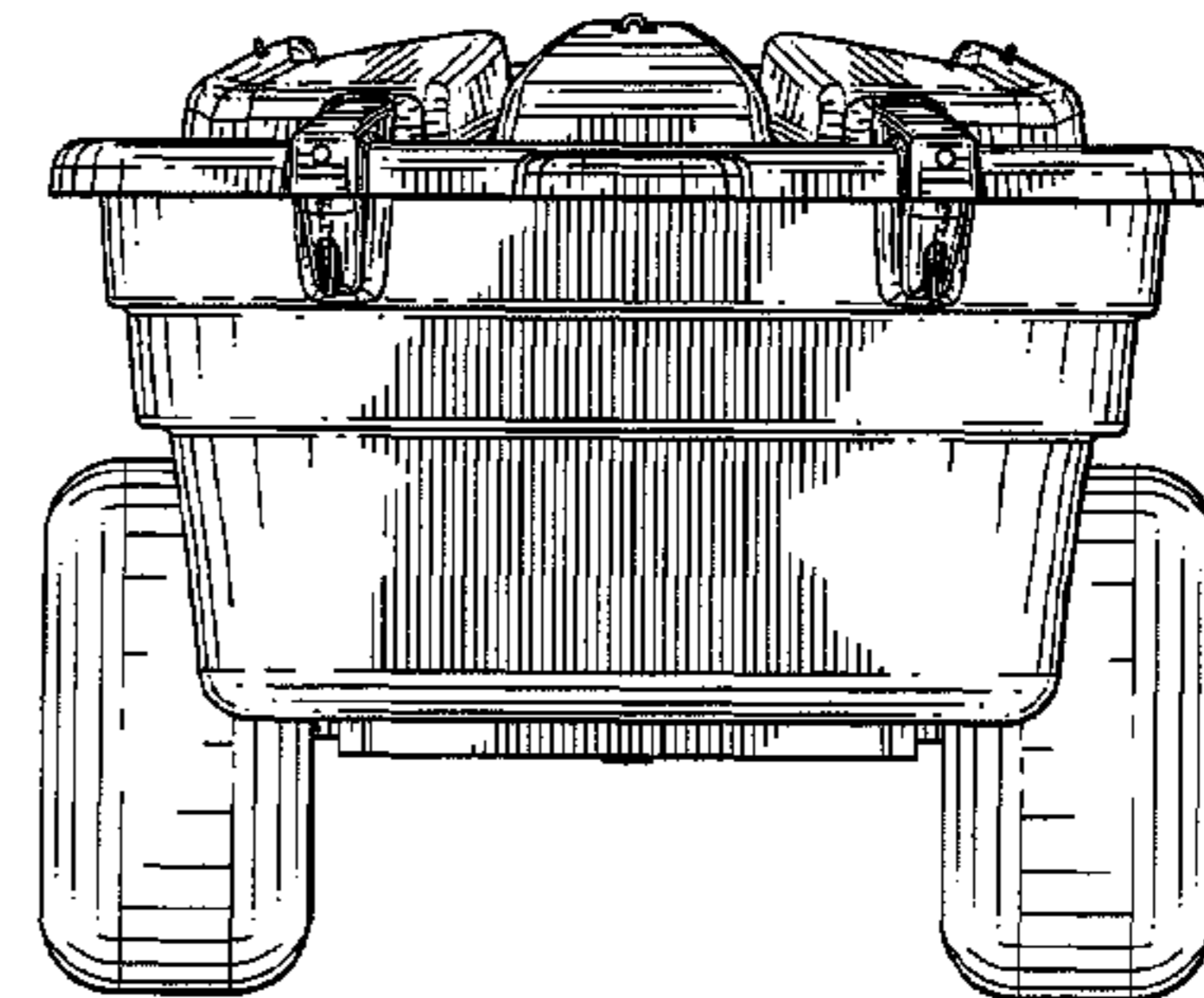
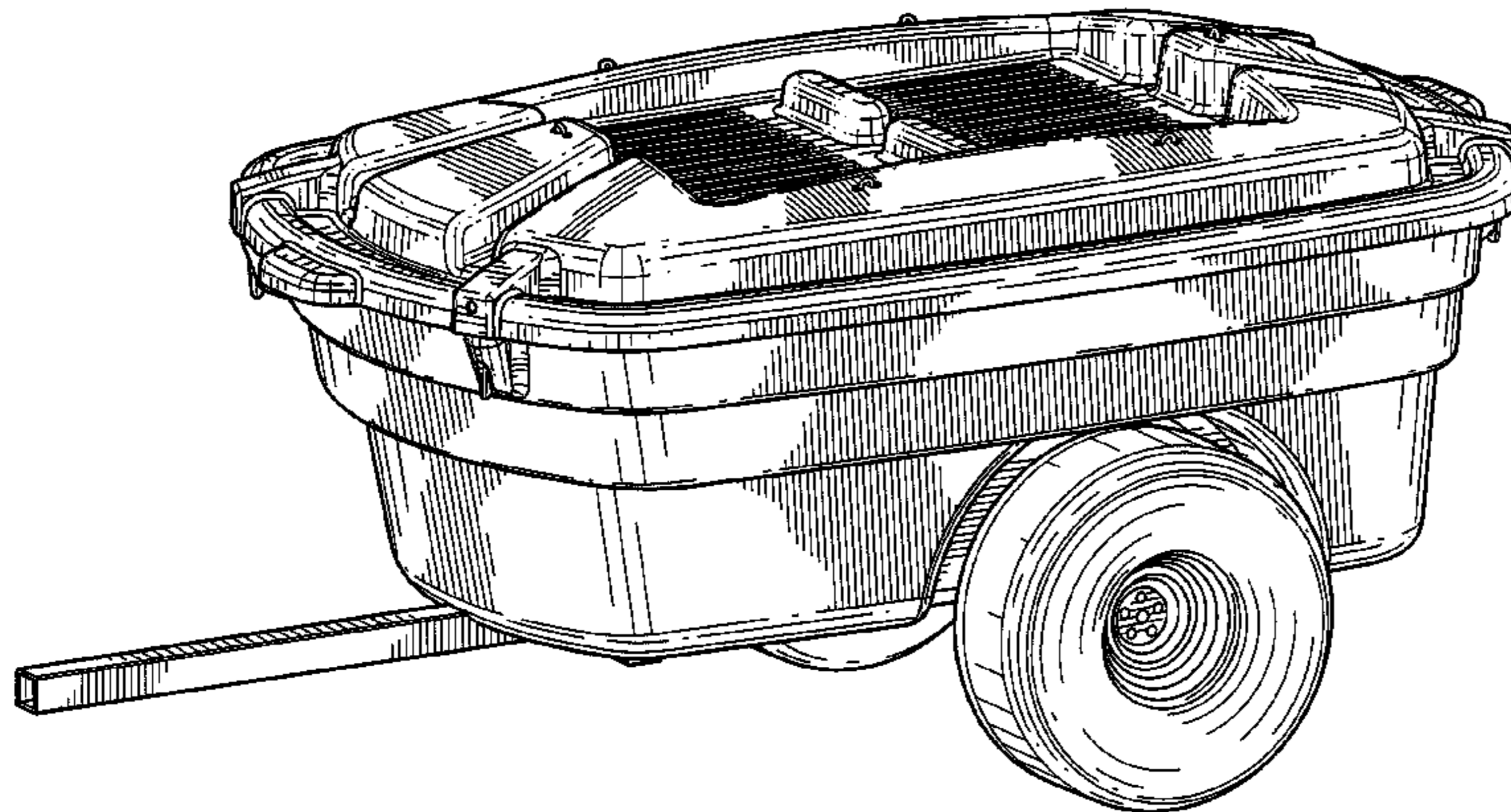
FIG. 2 is a left side view of FIG. 1.

FIG. 3 is a top view of FIG. 1.

FIG. 4 is the rear view of FIG. 1; and,

FIG. 5 is the front view of FIG. 1.

1 Claim, 5 Drawing Sheets



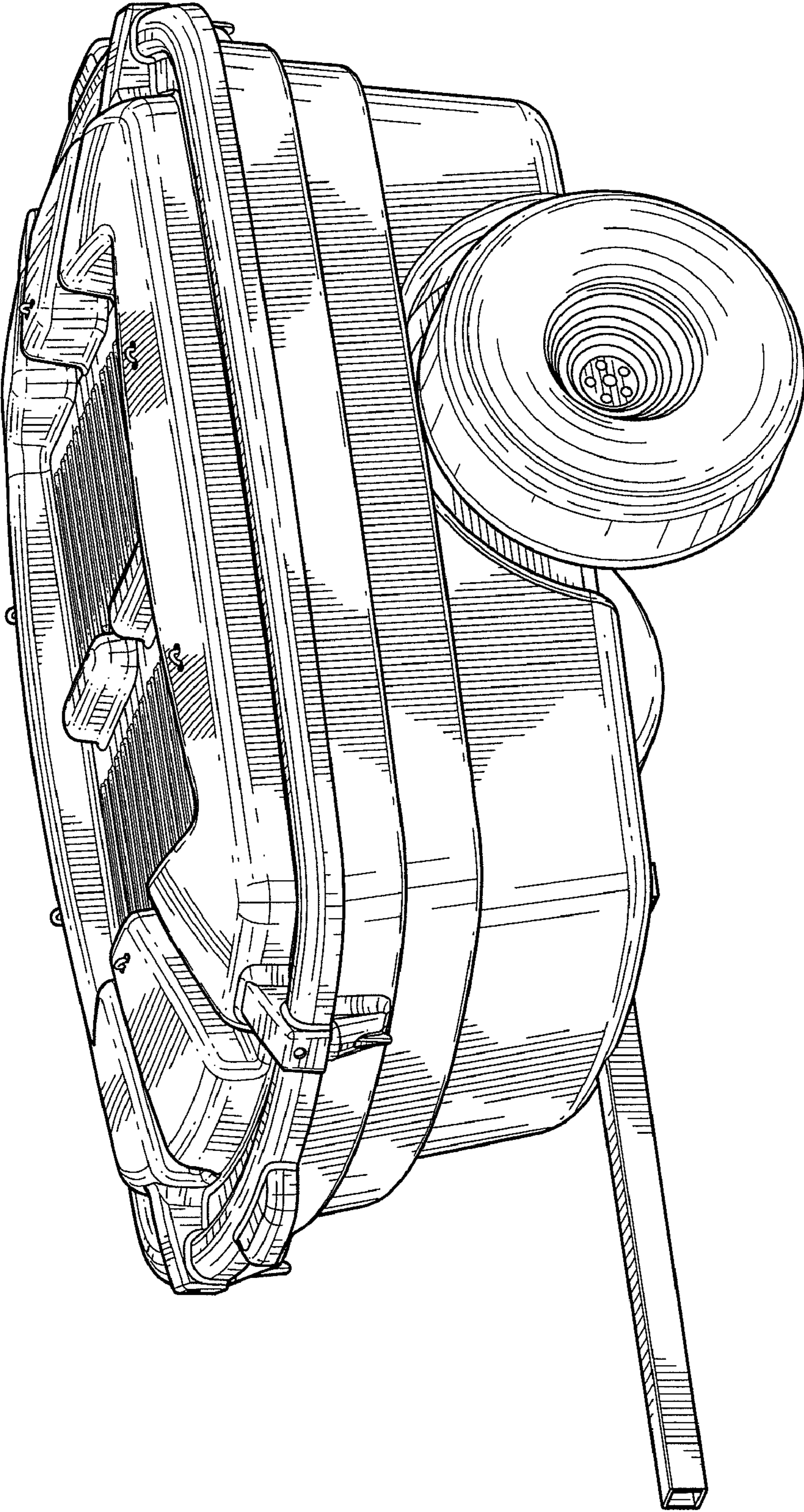


FIG. 1

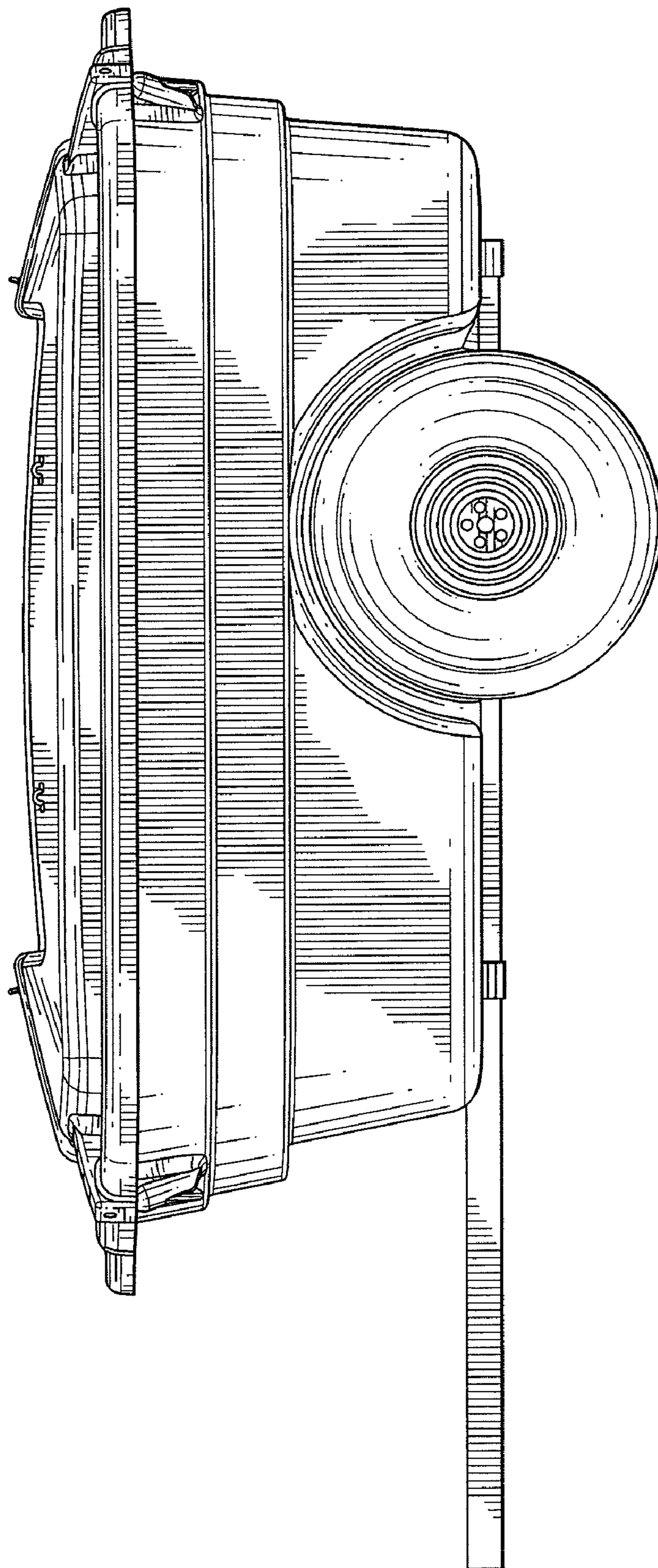


FIG. 2

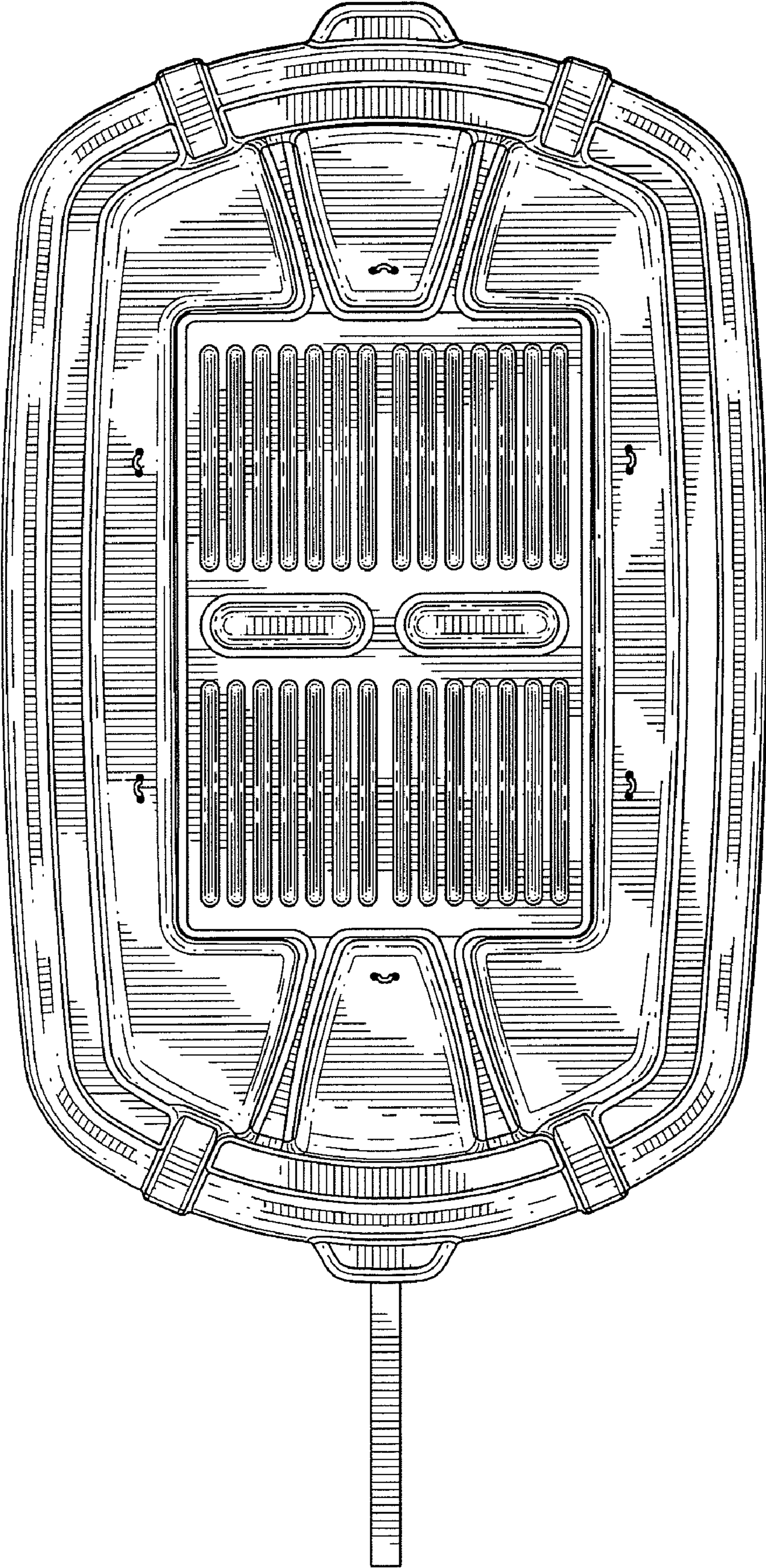


FIG.3

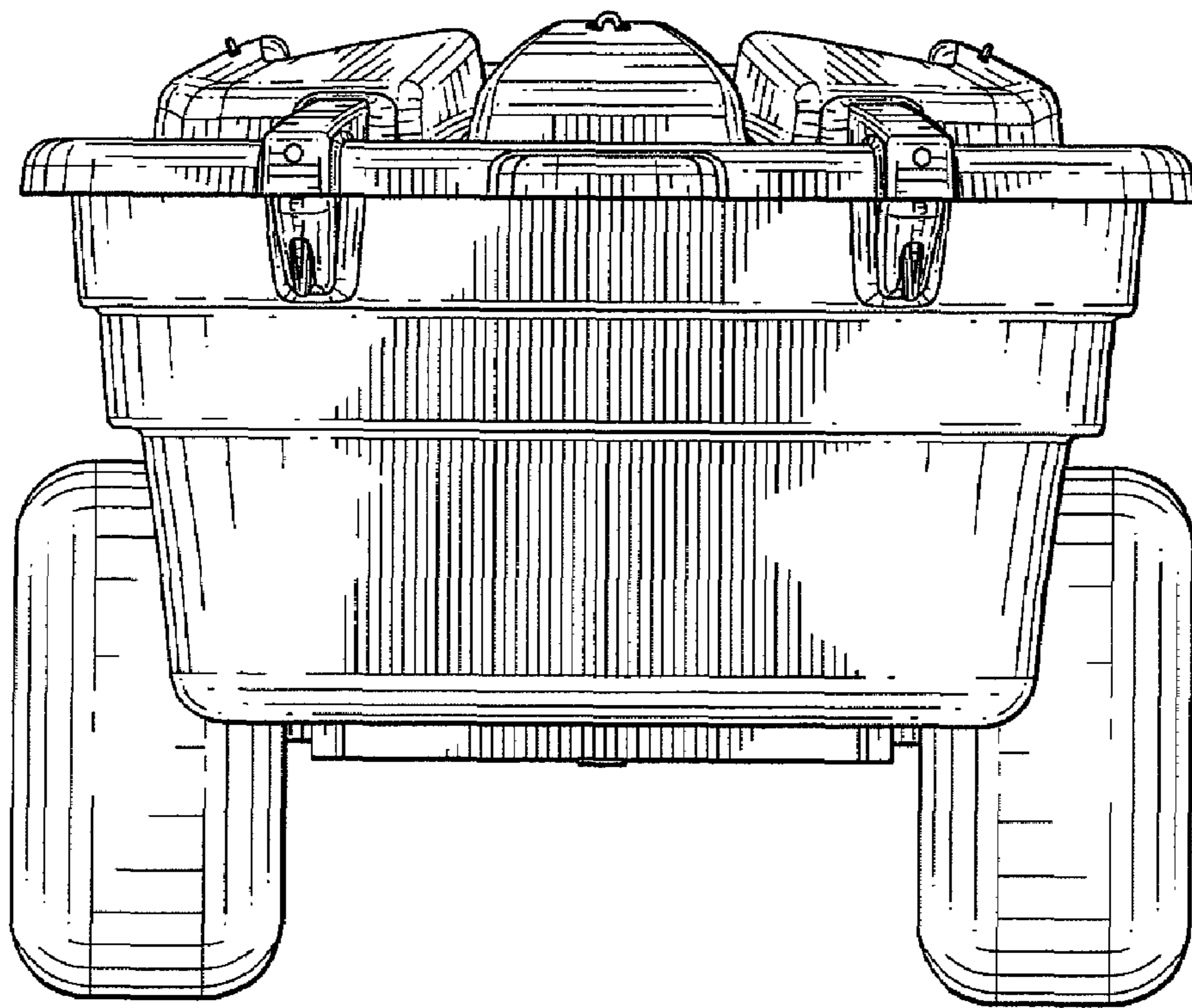


FIG. 4

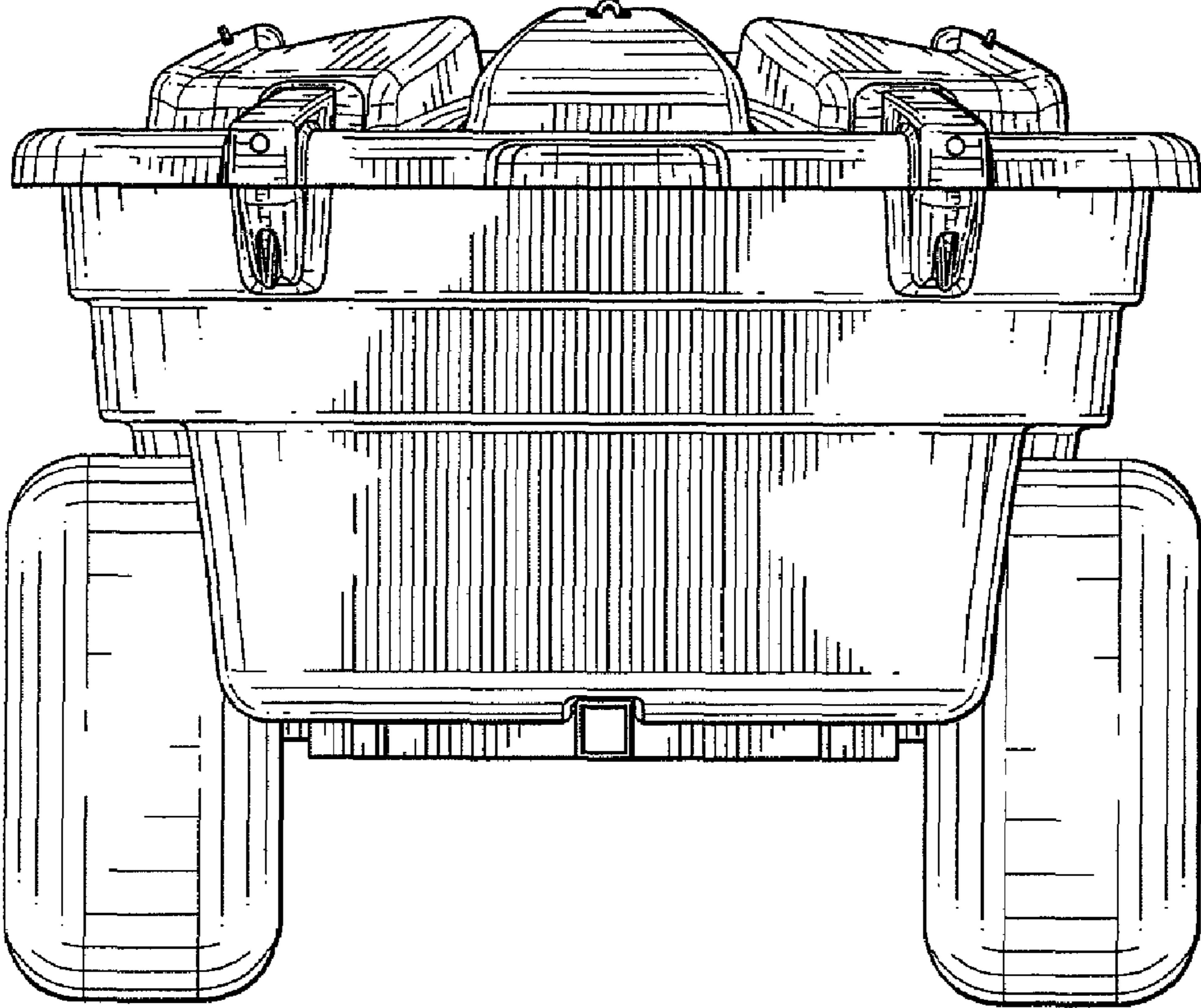


FIG.5