



US00D606900S

(12) **United States Design Patent**  
**Flores**

(10) **Patent No.:** **US D606,900 S**

(45) **Date of Patent:** **\*\* Dec. 29, 2009**

(54) **FOUR WHEELED VEHICLE**

D549,133 S \* 8/2007 LePage ..... D12/87  
D555,036 S \* 11/2007 Eck ..... D12/87  
D563,274 S \* 3/2008 Ramos ..... D12/87

(75) Inventor: **Julio Flores**, Lakewood, CA (US)

\* cited by examiner

(73) Assignee: **Yamaha Hatsudoki Kabushiki Kaisha**  
(JP)

*Primary Examiner*—Melody N Brown

(74) *Attorney, Agent, or Firm*—Ostrolenk Faber LLP

(\*\*) Term: **14 Years**

(21) Appl. No.: **29/332,136**

(57) **CLAIM**

(22) Filed: **Feb. 10, 2009**

The ornamental design for a four wheeled vehicle, as shown and described.

(51) **LOC (9) Cl.** ..... **12-08**

(52) **U.S. Cl.** ..... **D12/87**

(58) **Field of Classification Search** ..... D12/86,  
D12/87, 1; D21/424, 433; 296/181.1, 181.5  
See application file for complete search history.

**DESCRIPTION**

FIG. 1 is a left side, front perspective view of a four wheeled vehicle showing my new design;

FIG. 2 is a left side view thereof;

FIG. 3 is a right side view thereof;

FIG. 4 is a front view thereof;

FIG. 5 is a rear view thereof; and,

FIG. 6 is a top view thereof.

(56) **References Cited**

**U.S. PATENT DOCUMENTS**

D497,324 S \* 10/2004 Chestnut et al. .... D12/87  
D503,658 S \* 4/2005 Lu ..... D12/87  
D535,215 S \* 1/2007 Turner et al. .... D12/87

**1 Claim, 6 Drawing Sheets**





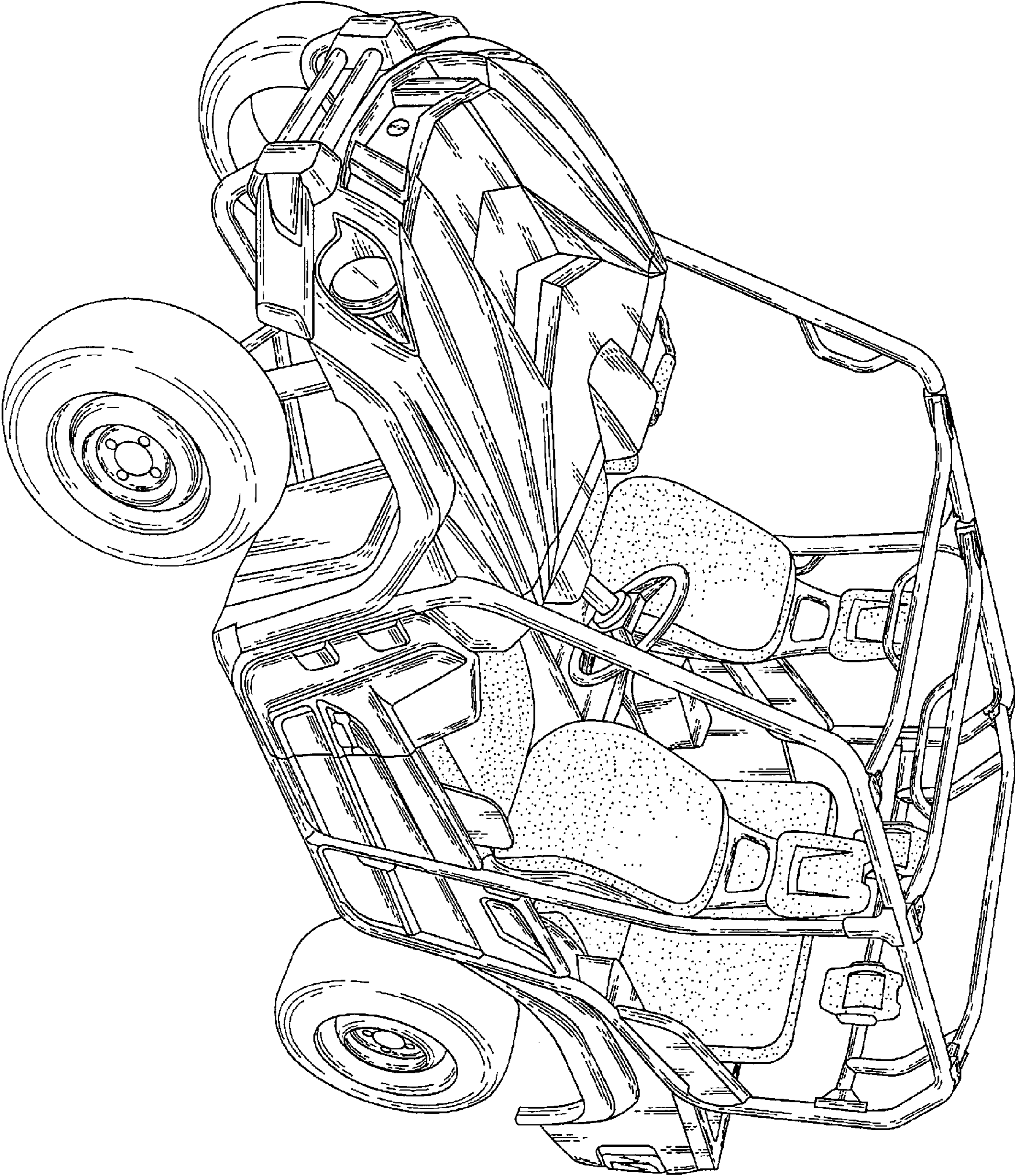


FIG. 1

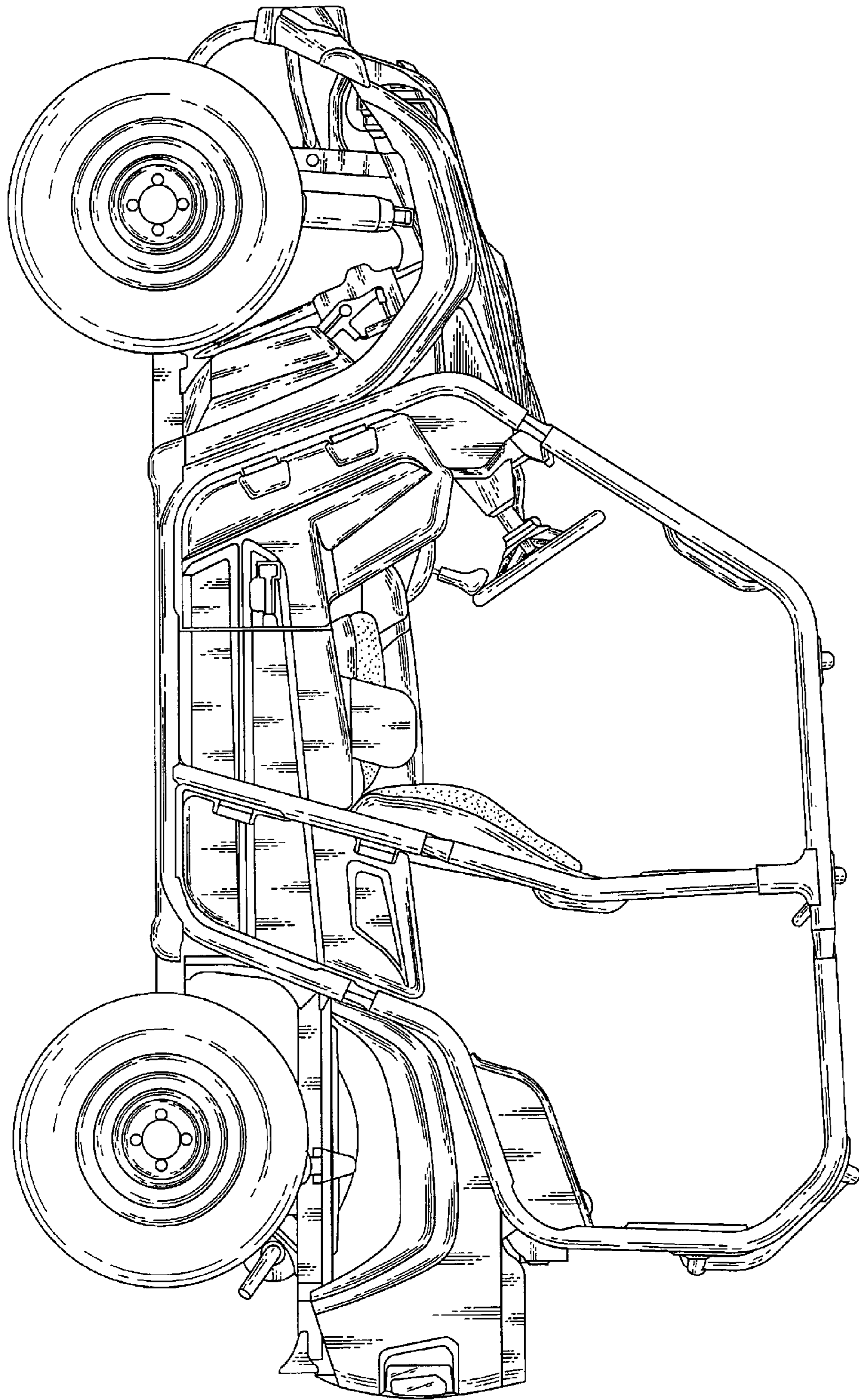


FIG. 2



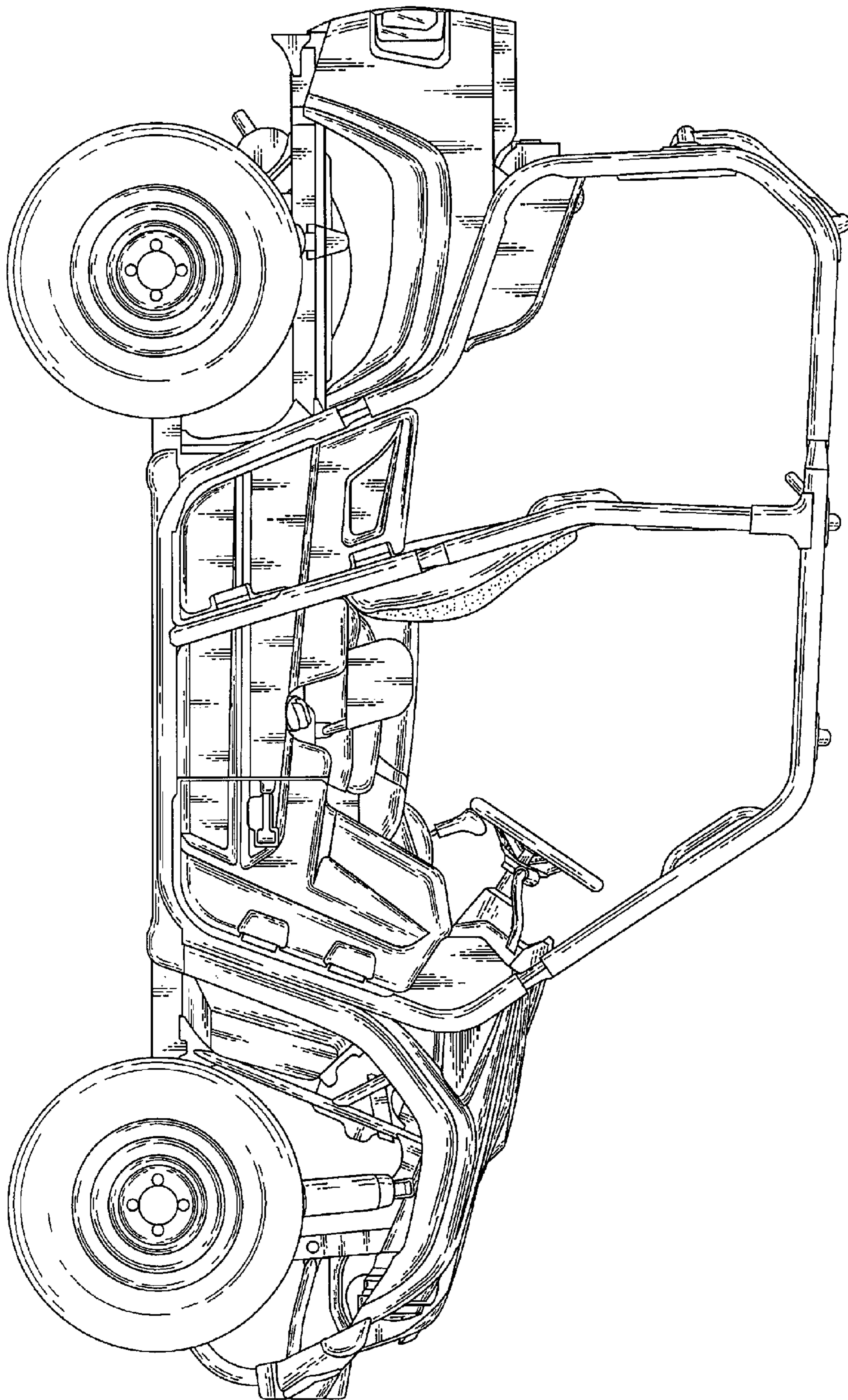


FIG. 3

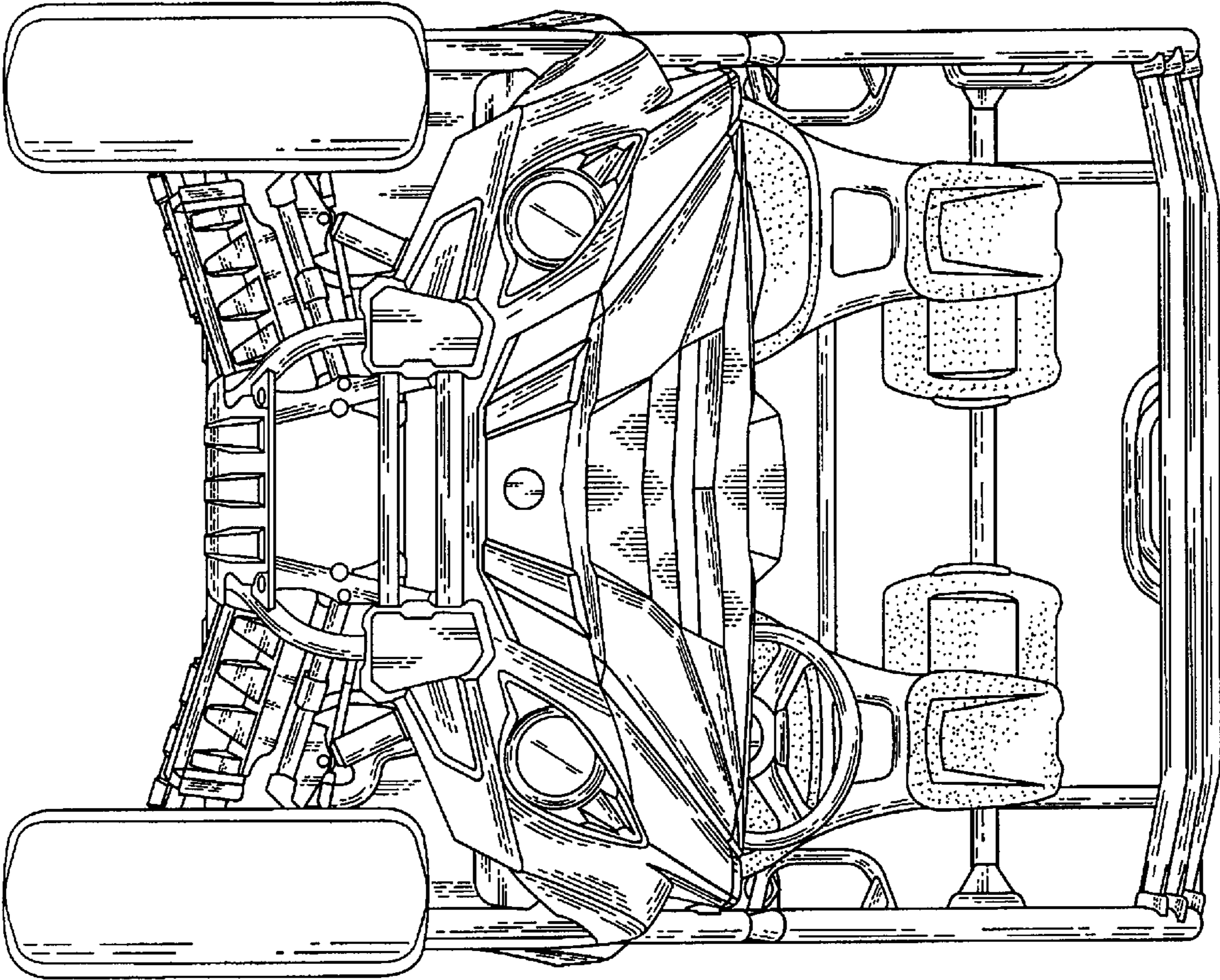


FIG. 4

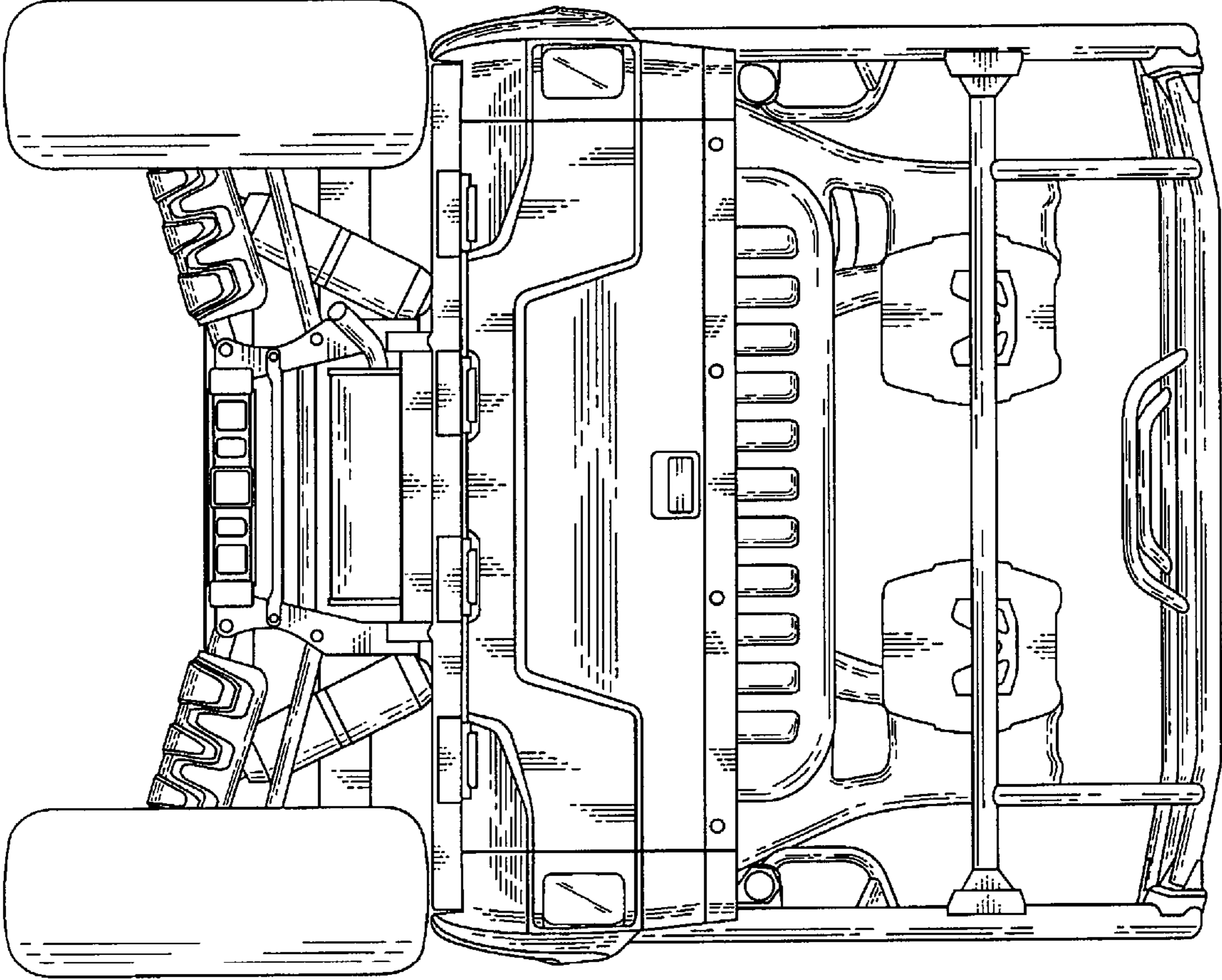


FIG. 5



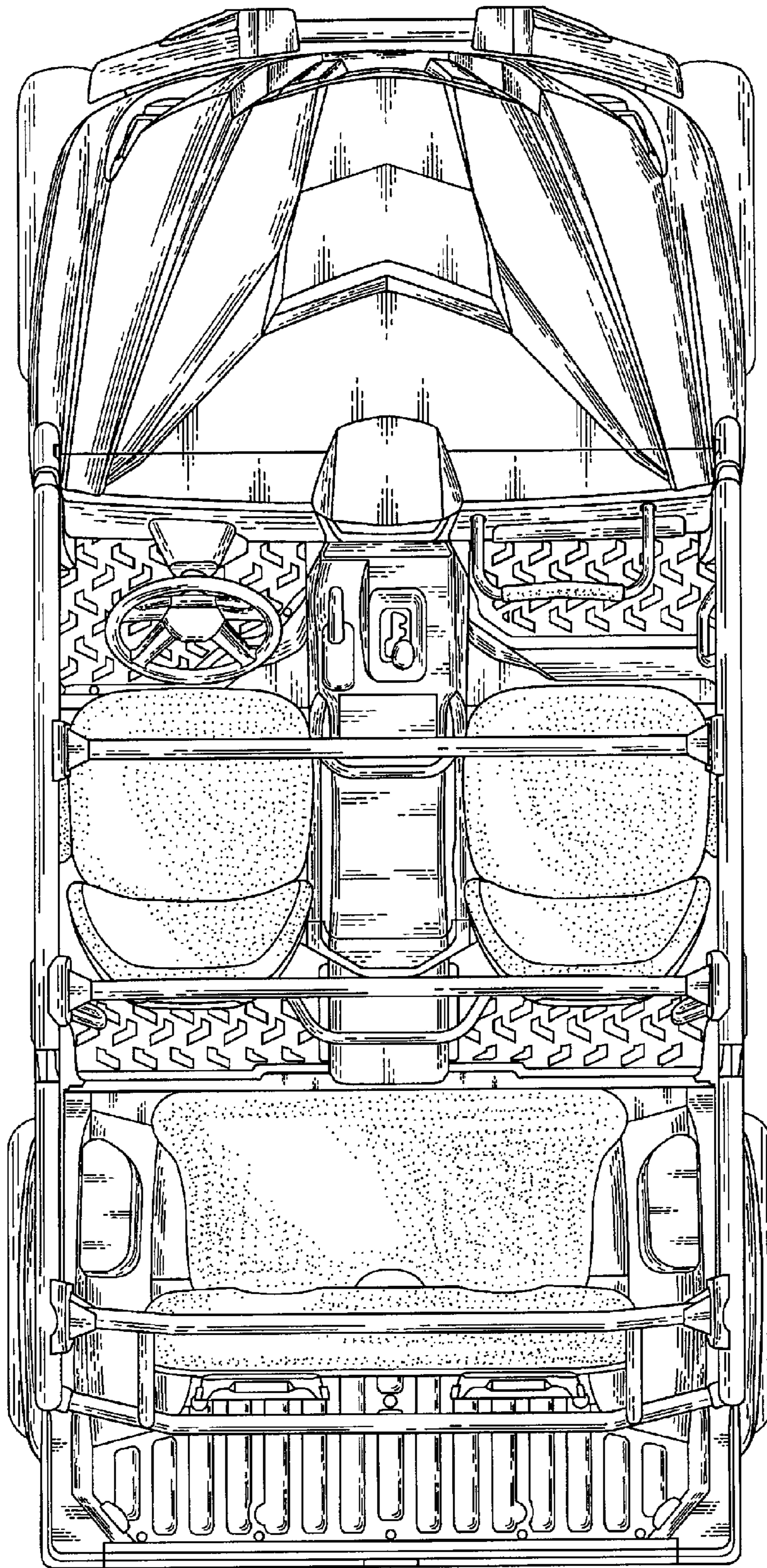


FIG. 6