



US00D606893S

(12) **United States Design Patent**  
**Arosio**

(10) **Patent No.:** **US D606,893 S**

(45) **Date of Patent:** **\*\* Dec. 29, 2009**

(54) **DETERRENT PILLAR WITH LIGHTING UNITS**

(75) Inventor: **Oliviero Arosio**, Lissone (IT)

(73) Assignee: **GLBI.DI. S.r.l.**, Poggio Rusco (IT)

(\*\*) Term: **14 Years**

(21) Appl. No.: **29/309,291**

(22) Filed: **Jul. 21, 2008**

(30) **Foreign Application Priority Data**

Feb. 5, 2008 (EM) ..... 000872726

(51) **LOC (9) Cl.** ..... **10-05**

(52) **U.S. Cl.** ..... **D10/114; D26/51**

(58) **Field of Classification Search** ..... D26/37,  
D26/38, 46, 40, 42, 43, 51, 62; 362/157,  
362/158, 184, 194–196, 200–208, 253; D10/113–115,  
D10/70, 73

See application file for complete search history.

(56) **References Cited**

**U.S. PATENT DOCUMENTS**

D196,690 S \* 10/1963 Atkins ..... D10/114  
D312,319 S \* 11/1990 Kunz ..... D26/72  
D390,985 S \* 2/1998 Shiau ..... D26/43  
D403,090 S \* 12/1998 King et al. .... D26/37  
D432,689 S \* 10/2000 Yuen ..... D26/38

D437,433 S \* 2/2001 Kim ..... D26/38  
D445,054 S \* 7/2001 Despino et al. .... D10/113  
D473,332 S \* 4/2003 Lam ..... D26/49  
D532,135 S \* 11/2006 Mills ..... D26/43  
D562,715 S \* 2/2008 Treloar ..... D10/114  
D574,741 S \* 8/2008 Gadsden ..... D10/114  
D575,430 S \* 8/2008 Jiang ..... D26/42  
D592,536 S \* 5/2009 Chan Chen ..... D10/114

\* cited by examiner

*Primary Examiner*—Charles A Rademaker

*Assistant Examiner*—Carissa C Fitts

(74) *Attorney, Agent, or Firm*—Modiano & Associati; Albert Josif; Daniel J. O’Byrne

(57) **CLAIM**

The ornamental design for a “deterrent pillar with lighting units,” as shown and described.

**DESCRIPTION**

FIG. 1 is a perspective view of a deterrent pillar with lighting units, showing my new design;

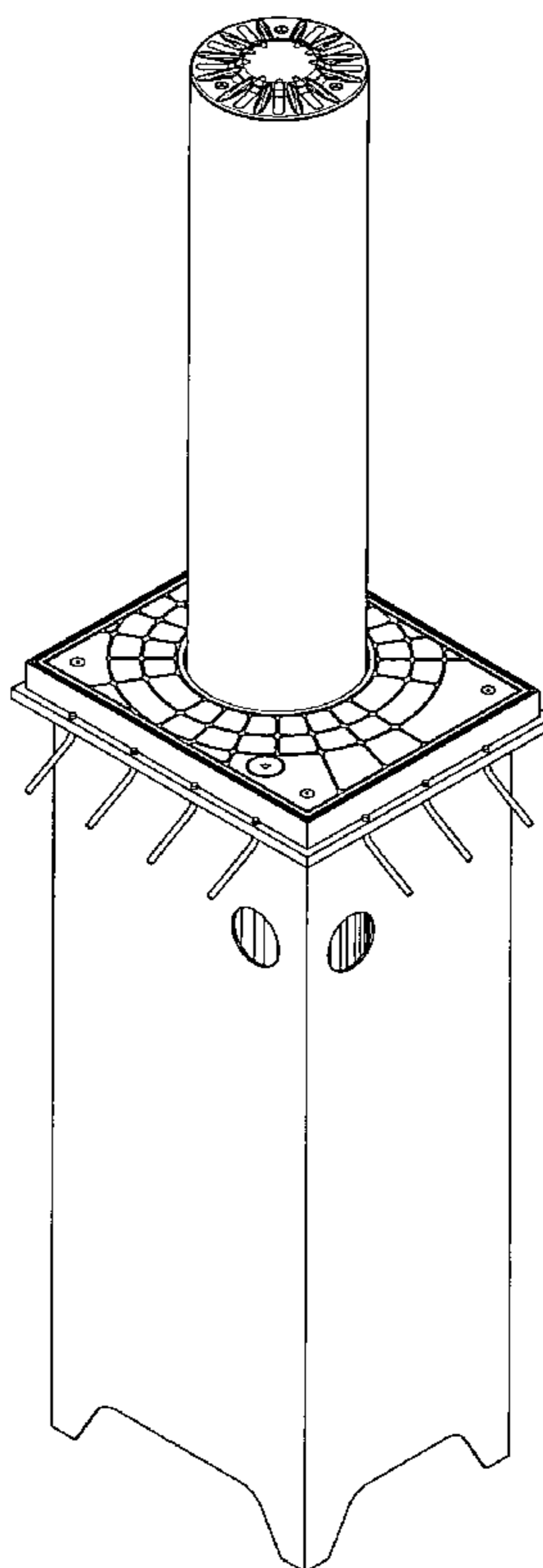
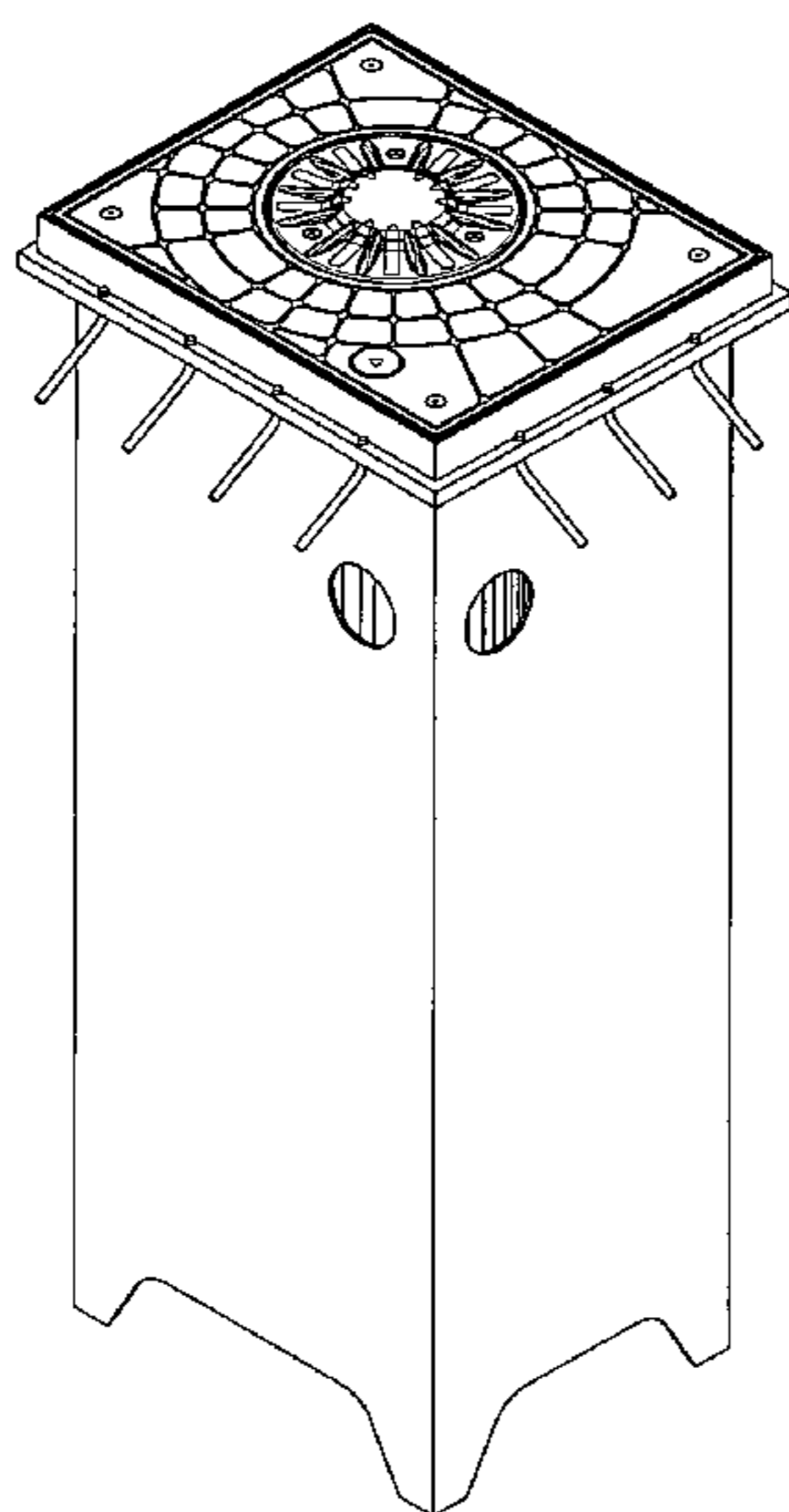
FIG. 2 is a side view thereof;

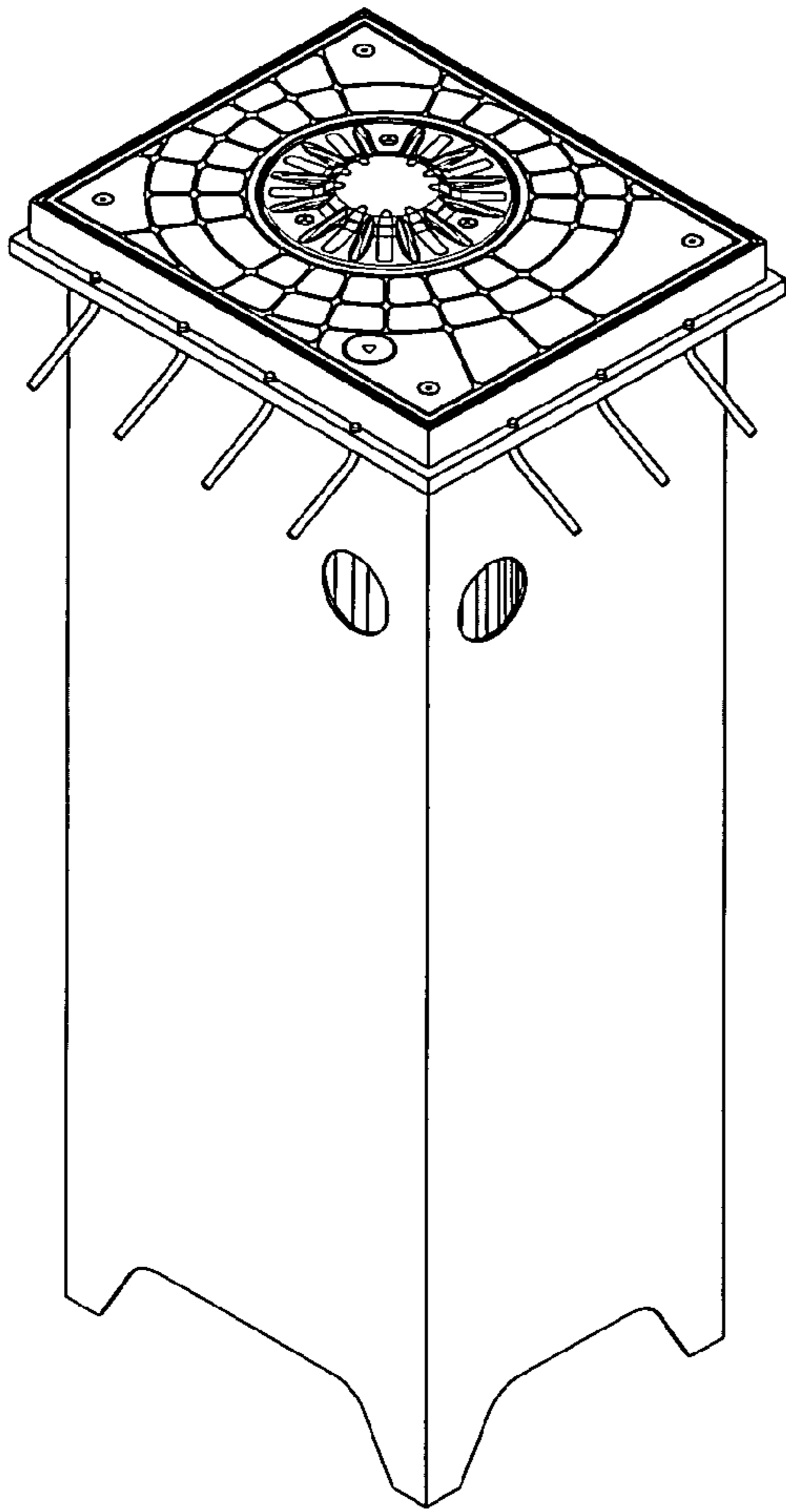
FIG. 3 is a top view thereof;

FIG. 4 is a perspective view thereof in the operating configuration; and,

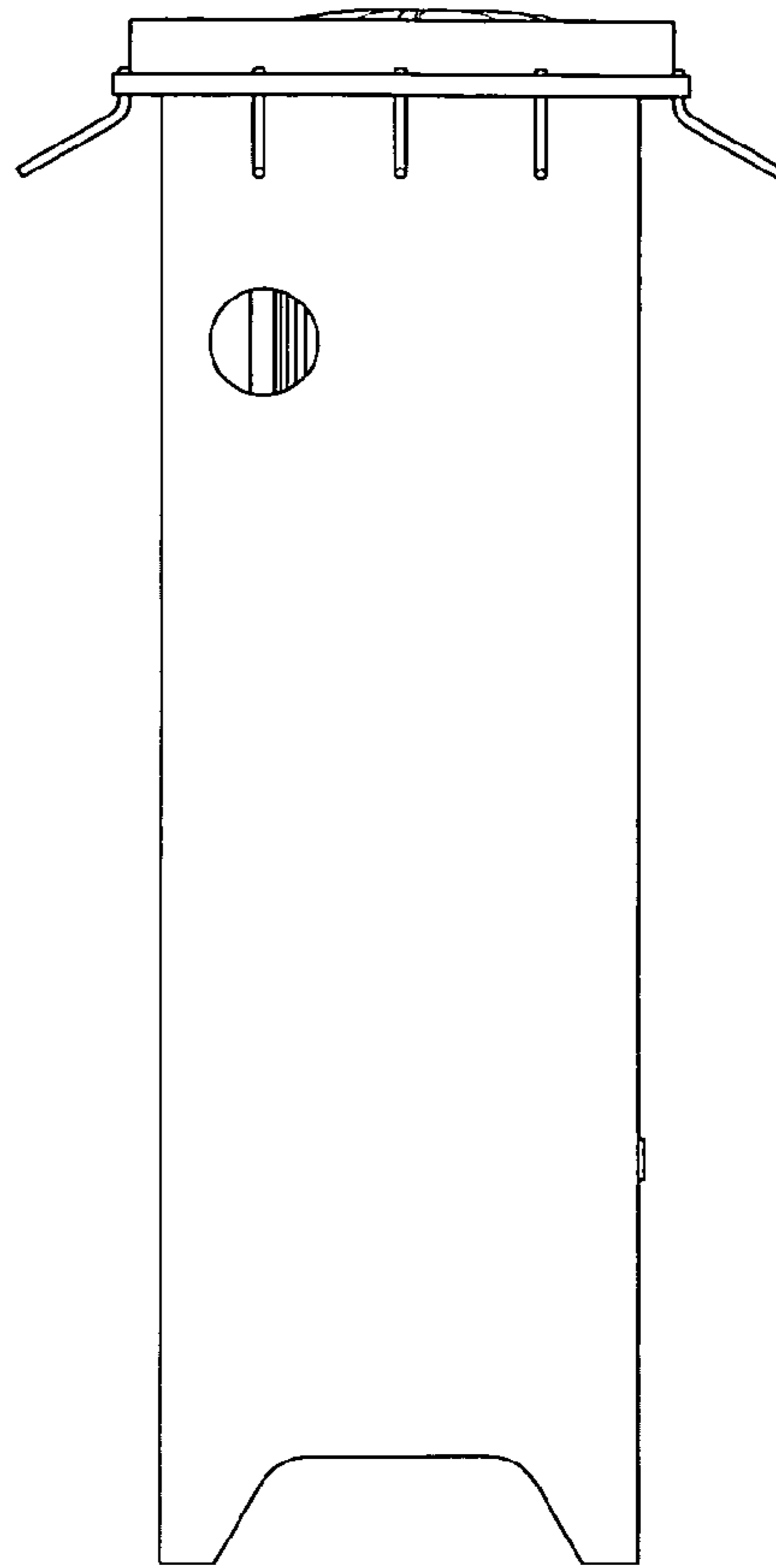
FIG. 5 is a side view thereof in the operating configuration.

**1 Claim, 2 Drawing Sheets**

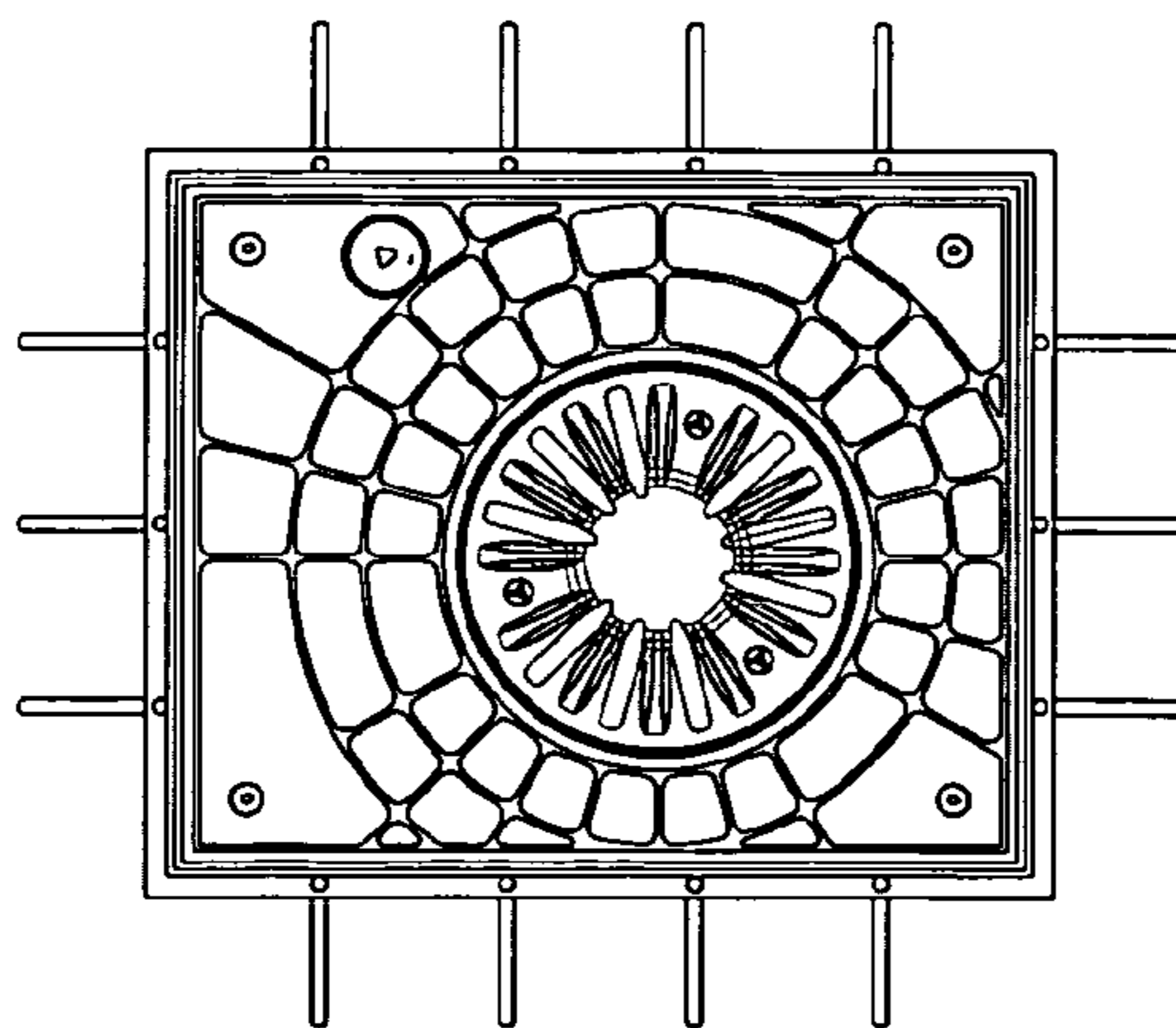




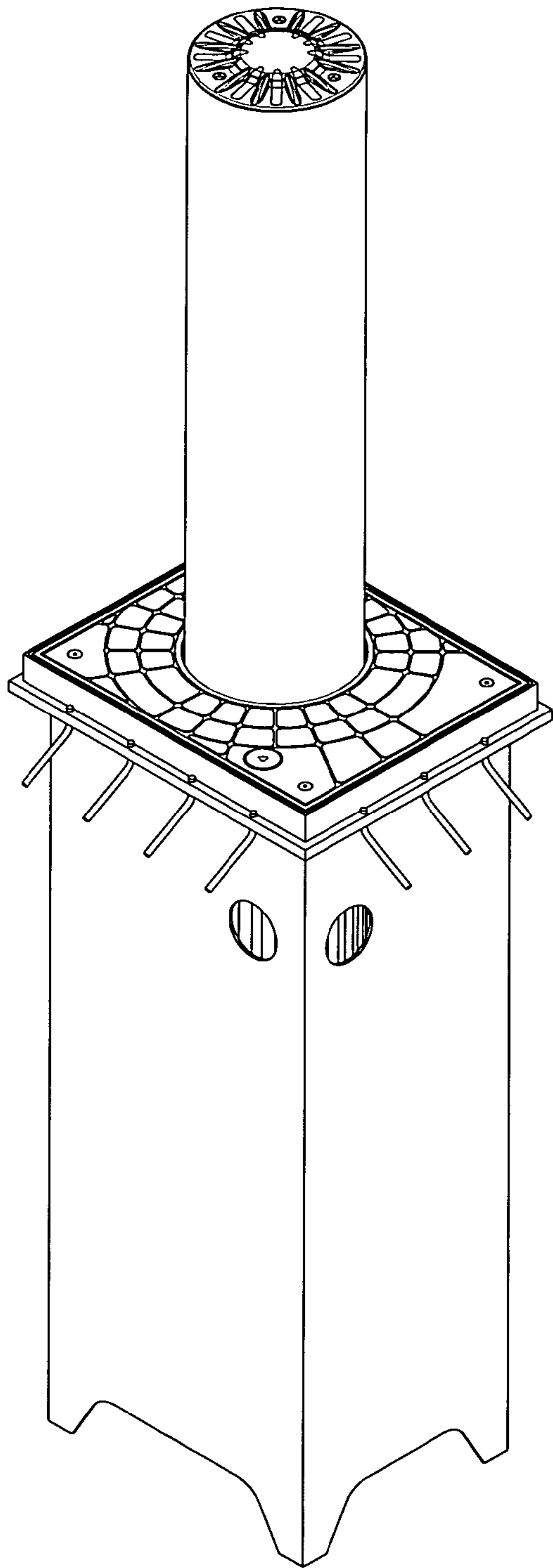
*Fig. 1*



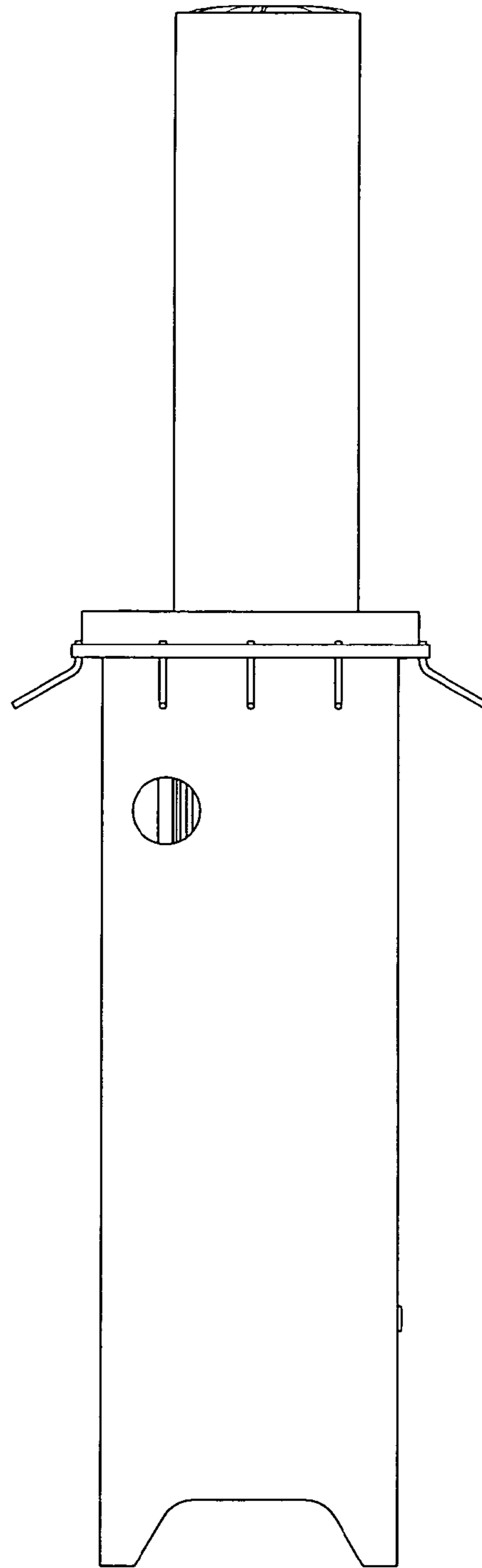
*Fig. 2*



*Fig. 3*



*Fig. 4*



*Fig. 5*