



US00D606892S

(12) **United States Design Patent**
Zheng

(10) **Patent No.:** **US D606,892 S**

(45) **Date of Patent:** **** Dec. 29, 2009**

(54) **SENSOR OF TIRE PRESSURE MONITORING SYSTEM**

D567,126 S * 4/2008 Zheng D10/86
D588,483 S * 3/2009 Chu D10/85

(75) Inventor: **Yong Zheng**, Shanghai (CN)

* cited by examiner

(73) Assignee: **Suzhou Sate Auto Electronic Co., Ltd.**,
Shanghai (CN)

Primary Examiner—Antoine D Davis
(74) *Attorney, Agent, or Firm*—Steven M. Koehler; Westman,
Champlin & Kelly, P.A.

(**) Term: **14 Years**

(57) **CLAIM**

(21) Appl. No.: **29/318,318**

The ornamental design for a sensor of the tire pressure monitoring system, as shown and described.

(22) Filed: **May 16, 2008**

(30) **Foreign Application Priority Data**

DESCRIPTION

Nov. 16, 2007 (CN) 2007 3 0082890
Nov. 30, 2007 (CN) 2007 3 0083783

FIG. 1 is a front elevational view of the claimed design, where the left side elevational view, right side elevational view and rear view are the same as the front view;

(51) **LOC (9) Cl.** **10-04**

FIG. 2 is a top plan view of the design;

(52) **U.S. Cl.** **D10/86; D10/85**

FIG. 3 is a bottom plan view of the design; and,

(58) **Field of Classification Search** D10/83,
D10/85, 86; 73/145–146.8; 116/34 R; 200/61.22,
200/61.25; 340/442–447

FIG. 4 is a perspective view of the design.

See application file for complete search history.

The bottom plan view of item 2 does not form part of the claim design.

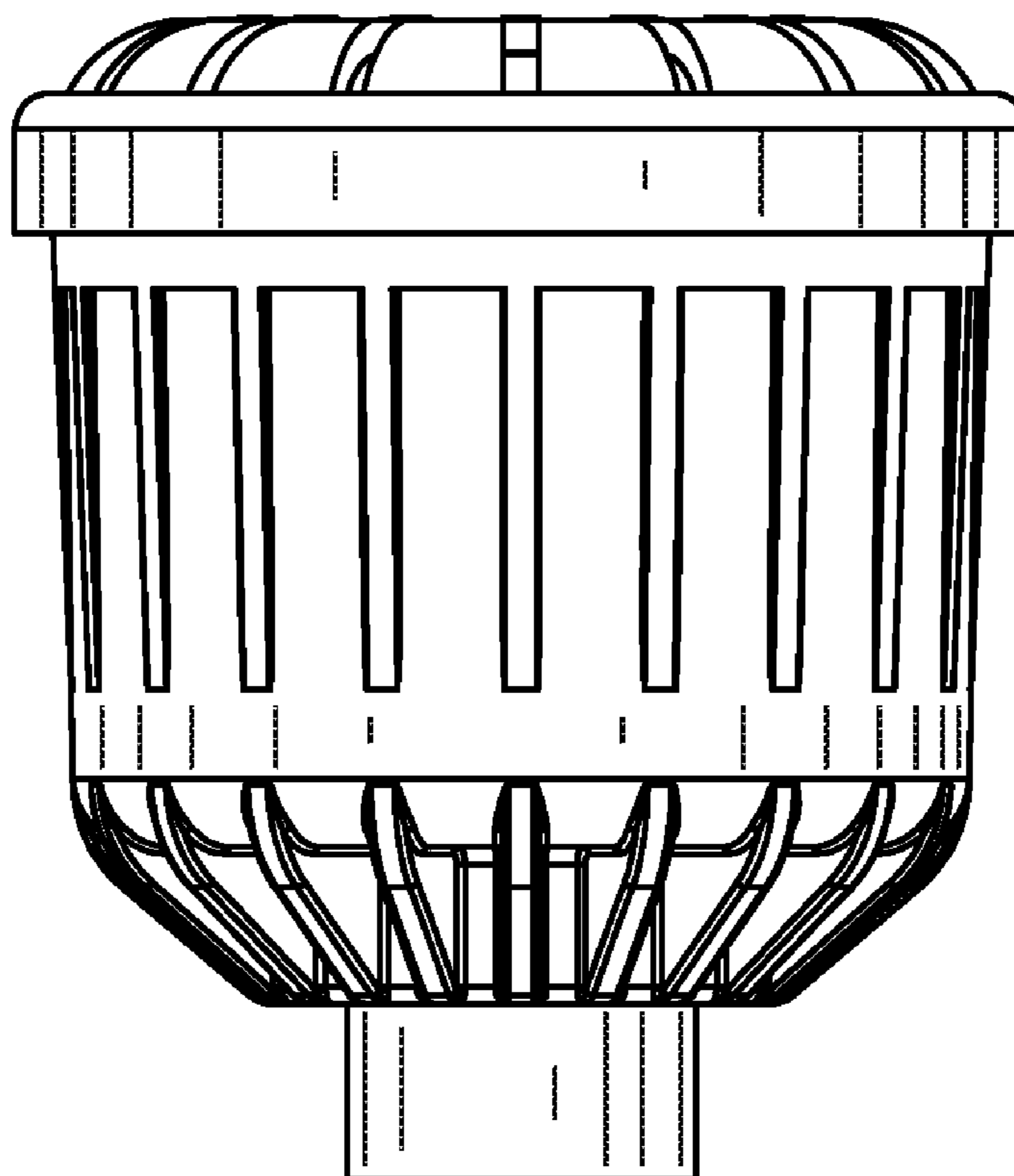
(56) **References Cited**

Features illustrated with dashed lines are not considered features of the invention being claimed, but rather illustrate an exemplary environment for the claimed features illustrated with solid lines.

U.S. PATENT DOCUMENTS

D361,043 S * 8/1995 Grilk D10/85
D366,845 S * 2/1996 Handfield et al. D10/86
D562,167 S * 2/2008 Petrucelli D10/86

1 Claim, 3 Drawing Sheets



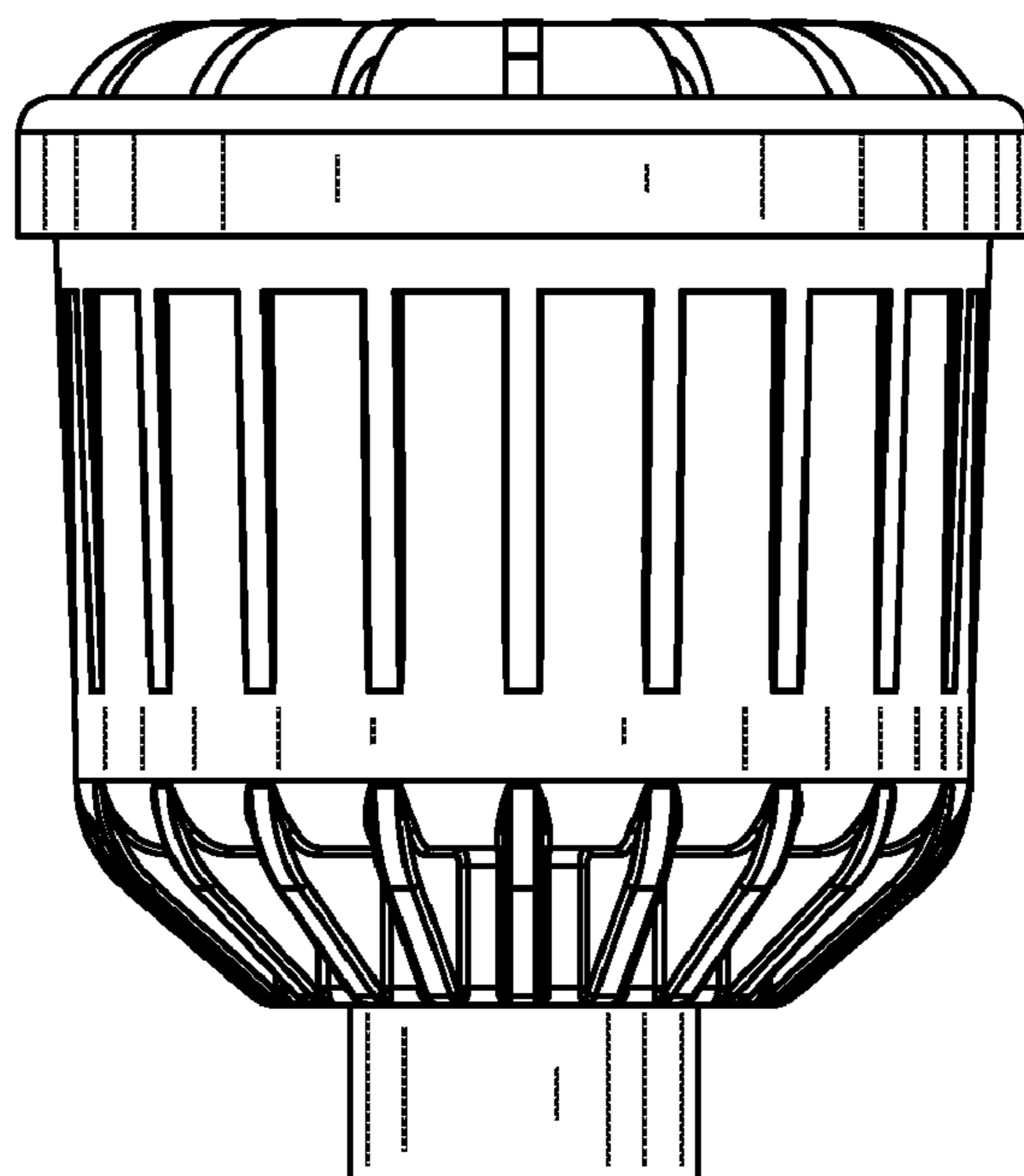


FIG. 1

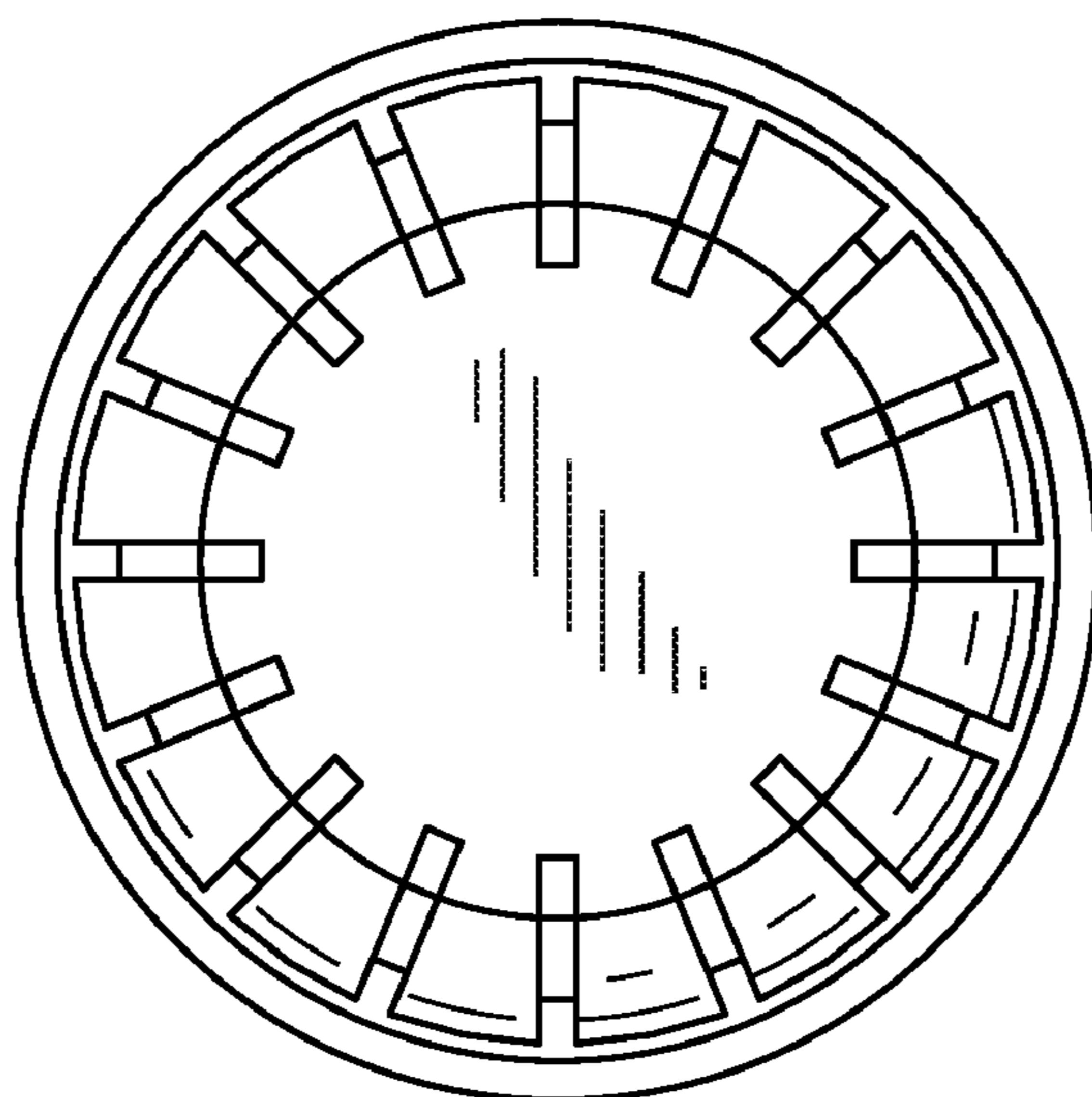


FIG. 2

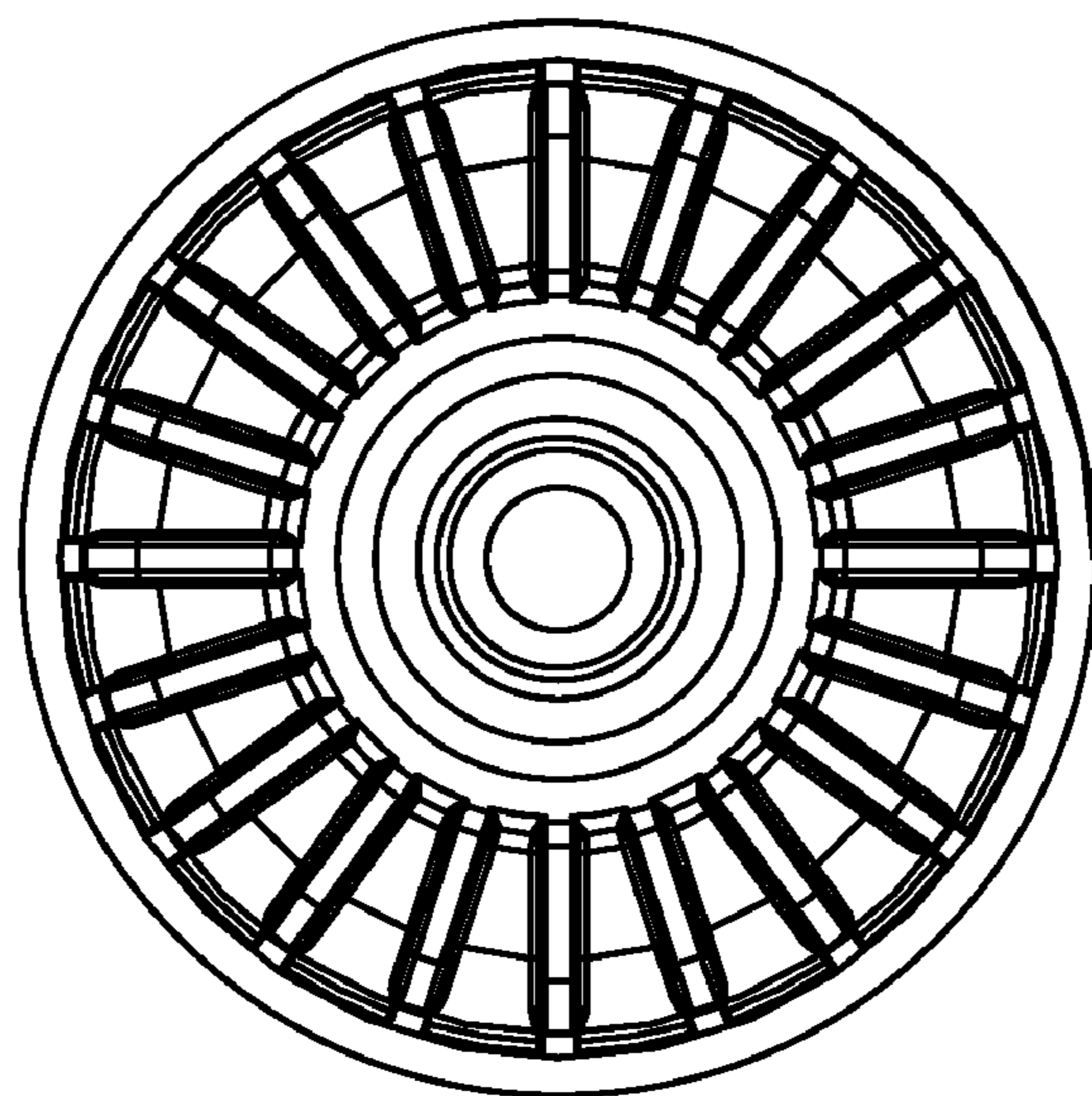


FIG. 3

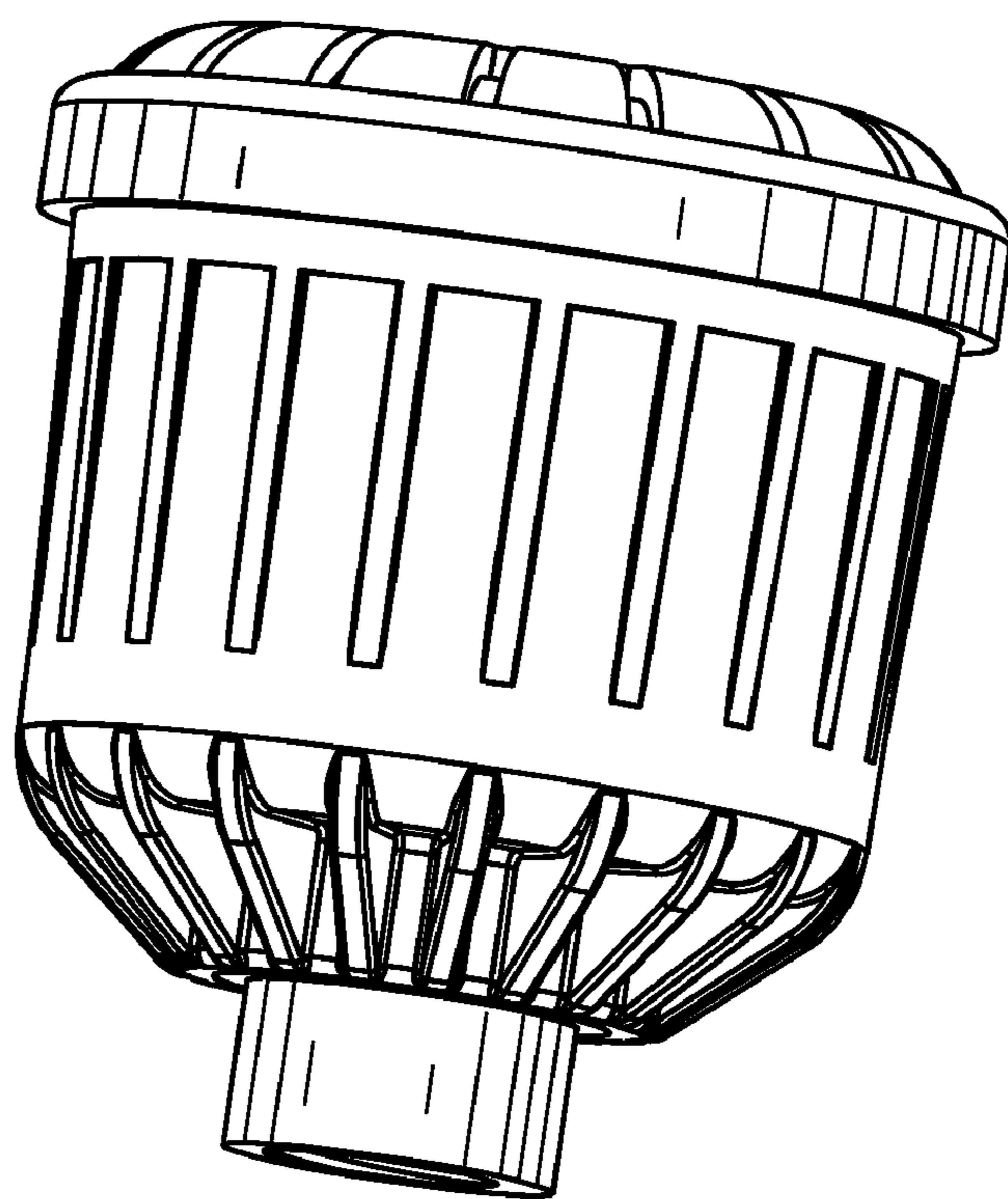


FIG. 4

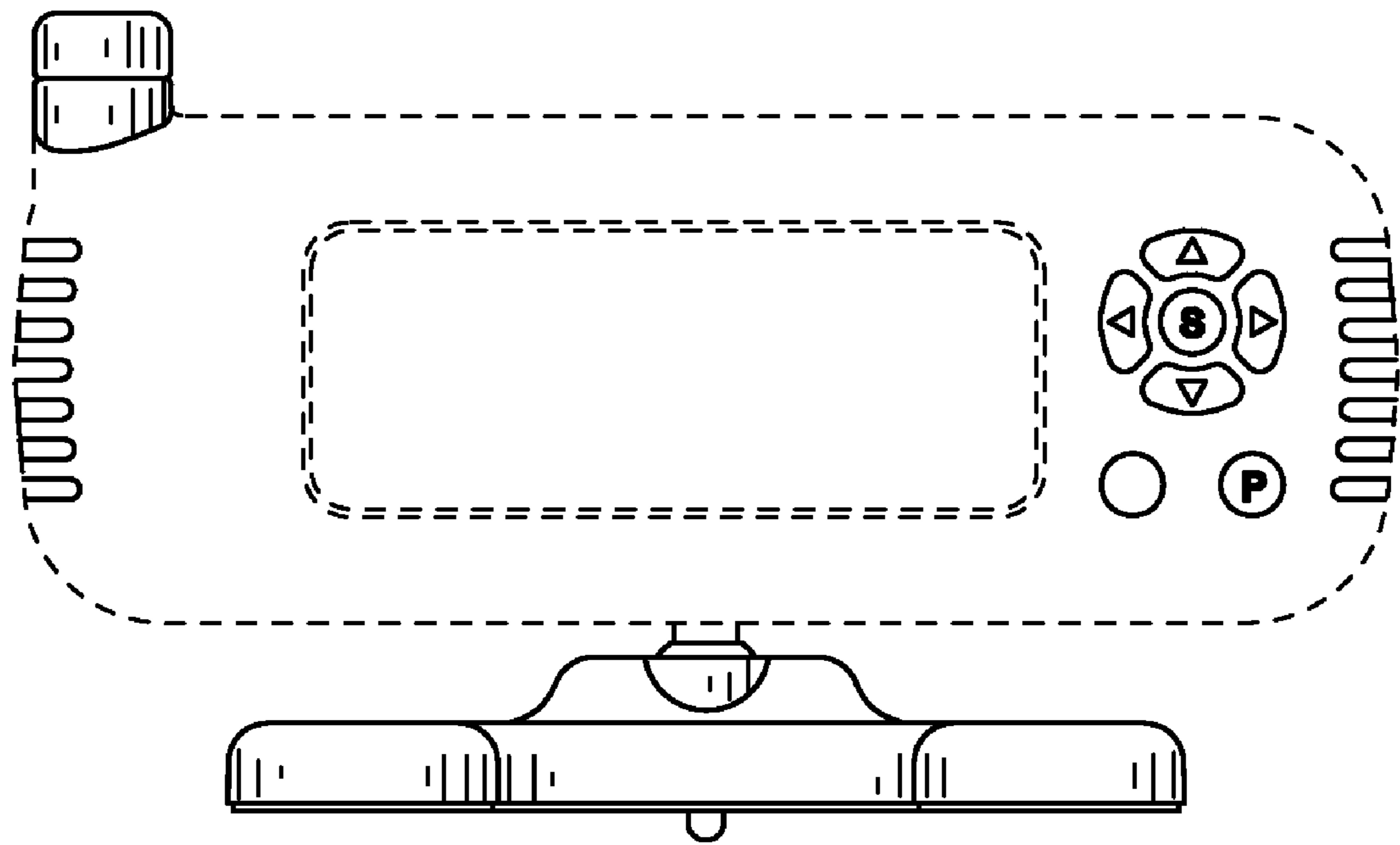


FIG. 5