

US00D606885S

(12) **United States Design Patent**
Olsson

(10) **Patent No.:** **US D606,885 S**

(45) **Date of Patent:** **** Dec. 29, 2009**

(54) **TRAY FOR PACKING FOODS**

(56)

References Cited

(75) Inventor: **Kenth Olsson**, Halmstad (SE)

U.S. PATENT DOCUMENTS

(73) Assignee: **Duni AB** (SE)

(**) Term: **14 Years**

(21) Appl. No.: **29/320,471**

(22) Filed: **Jun. 27, 2008**

202,939	A *	4/1878	Frost et al.	220/574
D285,514	S *	9/1986	Ritman	D7/354
D505,082	S *	5/2005	Bruce et al.	D9/737
D562,078	S *	2/2008	Herssein	D7/555
D584,108	S *	1/2009	Olsson	D7/553.1
D587,971	S *	3/2009	Peabody et al.	D7/555
D596,903	S *	7/2009	Willis et al.	D7/553.2
2009/0184025	A1 *	7/2009	Roberts et al.	206/568
2009/0186132	A1 *	7/2009	Mangino et al.	426/120

Related U.S. Application Data

(62) Division of application No. 29/275,069, filed on Dec. 12, 2006, now Pat. No. Des. 582,726.

(30) **Foreign Application Priority Data**

Jun. 13, 2006	(EM)	000543913-0001
Jun. 13, 2006	(EM)	000543913-0002
Jun. 13, 2006	(EM)	000543913-0003

* cited by examiner

Primary Examiner—Stella M Reid

Assistant Examiner—Charles D Hanson

(74) *Attorney, Agent, or Firm*—Ostrolenk Faber LLP

(51) **LOC (9) Cl.** **07-01**

(52) **U.S. Cl.** **D9/761; D9/424; D9/737; D7/555**

(57)

CLAIM

(58) **Field of Classification Search** D7/542, D7/545, 550.1, 552.1, 553.1, 553.6, 554.2, D7/555, 669, 682, 688, 683, 686, 354, 356, D7/360, 376, 380, 553.4, 553.7, 642, 566, D7/570, 501; D9/431, 500, 502, 737, 761, D9/420, 422–426, 428, 429, 414–418; 220/904, 220/23.83, 574, 212, 657, 659, 755, 771, 220/555–557, 500, 506, 528, 529; 206/821, 206/822, 223, 541, 557, 564; 426/106, 119, 426/120, 127

The ornamental design for a tray for packing foods, as shown.

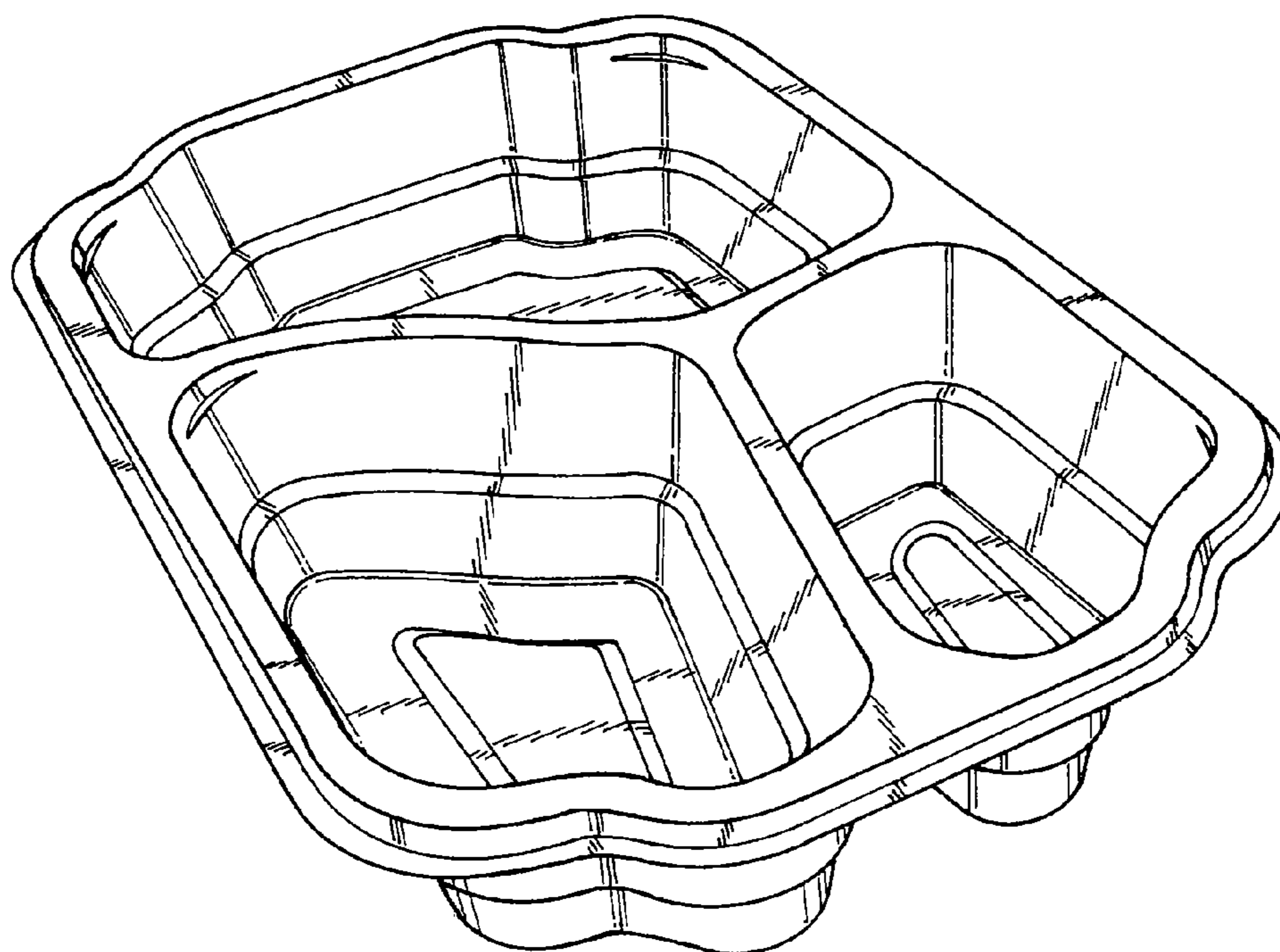
DESCRIPTION

FIG. 1 is a top perspective view of a tray for packing foods according to my new design; and,

FIG. 2 is a bottom perspective view thereof.

See application file for complete search history.

1 Claim, 1 Drawing Sheet



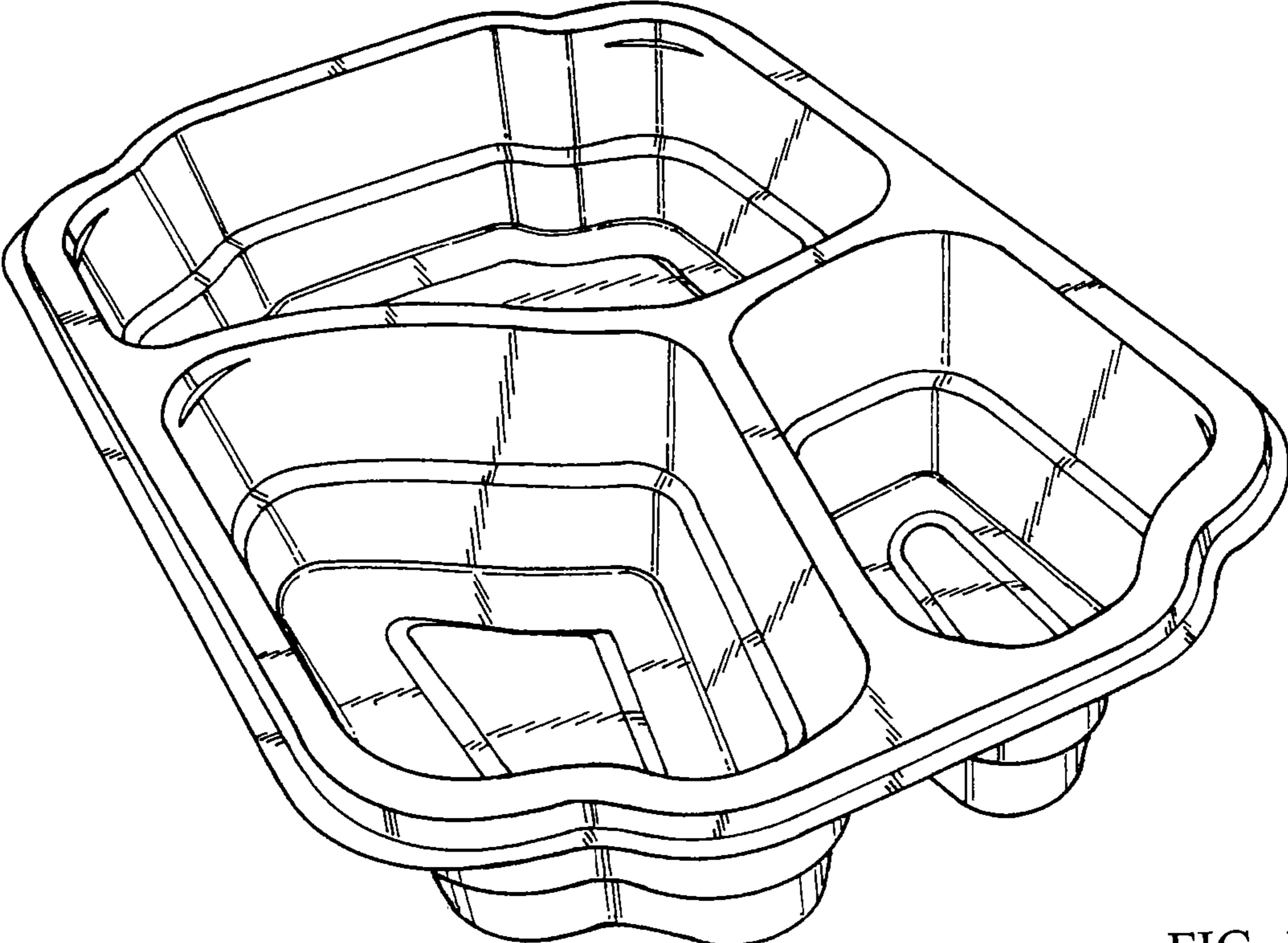


FIG. 1

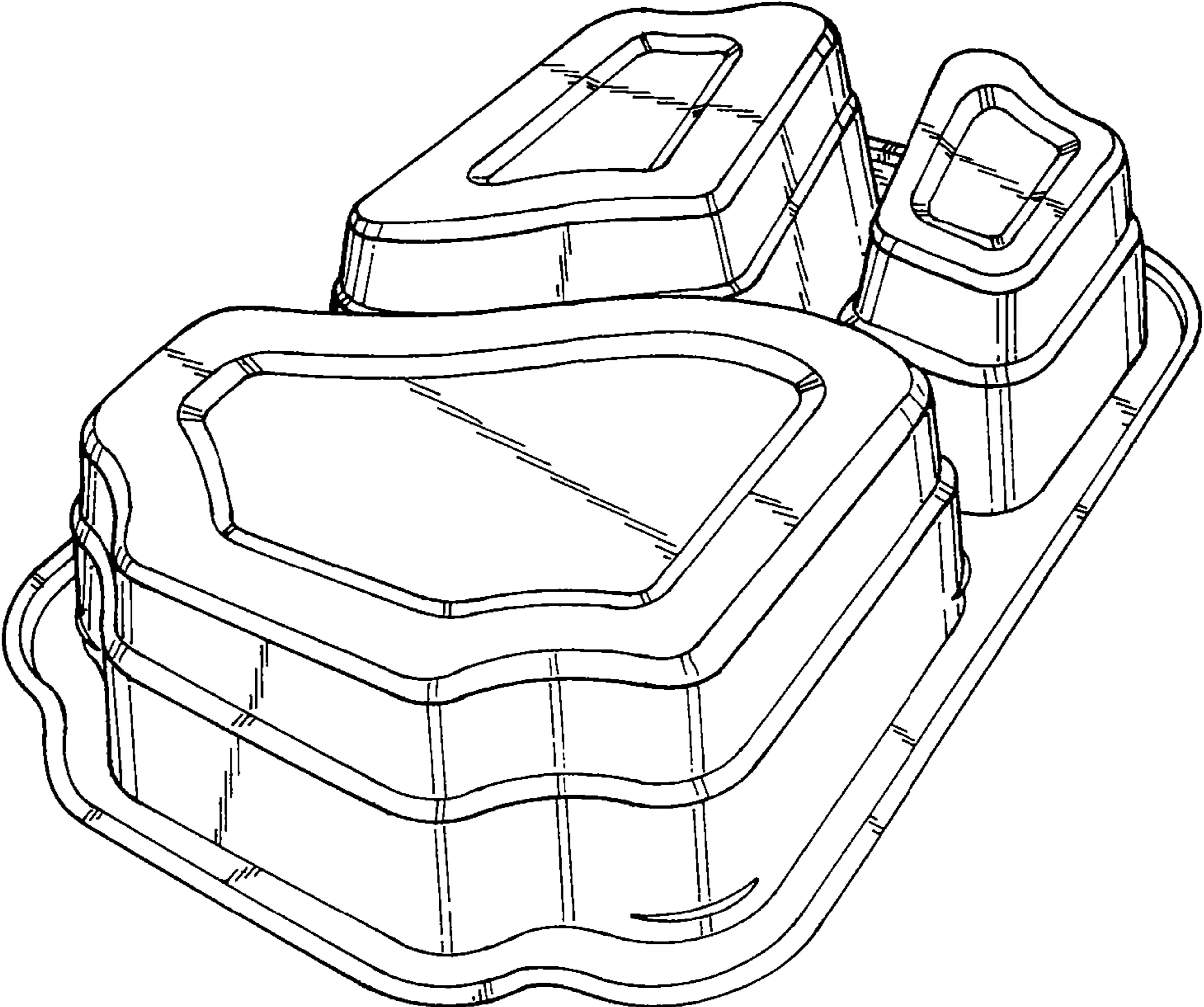


FIG. 2