



US00D606881S

(12) **United States Design Patent**  
**Künz**

(10) **Patent No.:** **US D606,881 S**

(45) **Date of Patent:** **\*\* \*Dec. 29, 2009**

(54) **TUBE**

(75) Inventor: **Johann Künz**, Hard (AT)

(73) Assignee: **Alpla Werke Alwin Lehner GmbH & Co. KG**, Hard (AT)

(\*) Notice: This patent is subject to a terminal disclaimer.

(\*\*) Term: **14 Years**

(21) Appl. No.: **29/301,686**

(22) Filed: **Mar. 12, 2008**

(51) **LOC (9) Cl.** ..... **09-03**

(52) **U.S. Cl.** ..... **D9/697**

(58) **Field of Classification Search** ..... D9/698-699,  
D9/711, 521, 544, 435, 440, 454, 723-724,  
D9/727-728, 442, 447, 504; 222/92, 107,  
222/215, 491, 527-529; 206/822-823; D28/7,  
D28/76, 82; 220/DIG. 7

See application file for complete search history.

(56) **References Cited**

**U.S. PATENT DOCUMENTS**

- D126,431 S \* 4/1941 Deskey ..... D9/697
- D212,412 S \* 10/1968 Hanlon ..... D9/697
- D281,055 S \* 10/1985 Dombroski ..... D9/697
- 4,598,839 A \* 7/1986 Dombroski et al. .... 222/92
- D319,178 S \* 8/1991 Katada et al. .... D9/617
- D338,397 S \* 8/1993 Sun et al. .... D9/697
- D383,383 S \* 9/1997 Prestia et al. .... D9/521

- 5,816,451 A \* 10/1998 Renault ..... 222/215
- D436,029 S \* 1/2001 Jones et al. .... D9/699
- D454,780 S \* 3/2002 Leboeuf et al. .... D9/697
- D532,701 S \* 11/2006 Spencer ..... D9/699
- D558,061 S \* 12/2007 Py et al. .... D9/695
- D568,171 S \* 5/2008 Kawashima ..... D9/699

\* cited by examiner

*Primary Examiner*—Caron Veynar

*Assistant Examiner*—Abraham Bahta

(74) *Attorney, Agent, or Firm*—Morriss O'Bryant Compagni, P.C.

(57) **CLAIM**

The ornamental design for a tube, as shown and described.

**DESCRIPTION**

FIG. 1 is a perspective front side view of a tube of the present invention;

FIG. 2 is front side view of the tube;

FIG. 3 is a back side view of the tube;

FIG. 4 is a right side view of the tube;

FIG. 5 is a left side view of the tube;

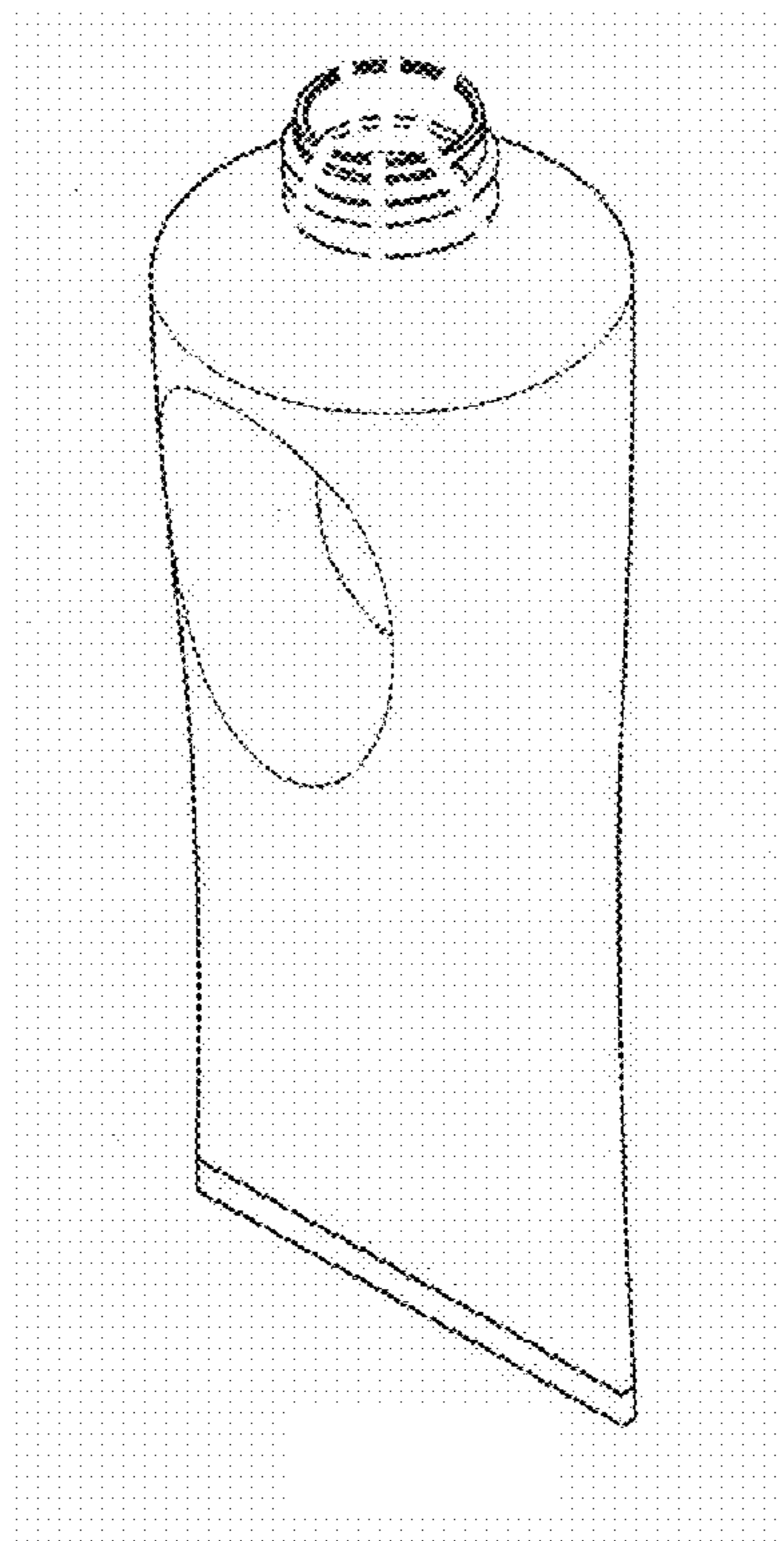
FIG. 6 is a top side view of the tube;

FIG. 7 is a bottom side view of the tube; and,

FIG. 8 is a cross-sectional top view of the tube through line 8—8 of FIG. 2.

The broken lines shown in the drawing are for illustrative purposes only and form no part of the claimed design.

**1 Claim, 8 Drawing Sheets**



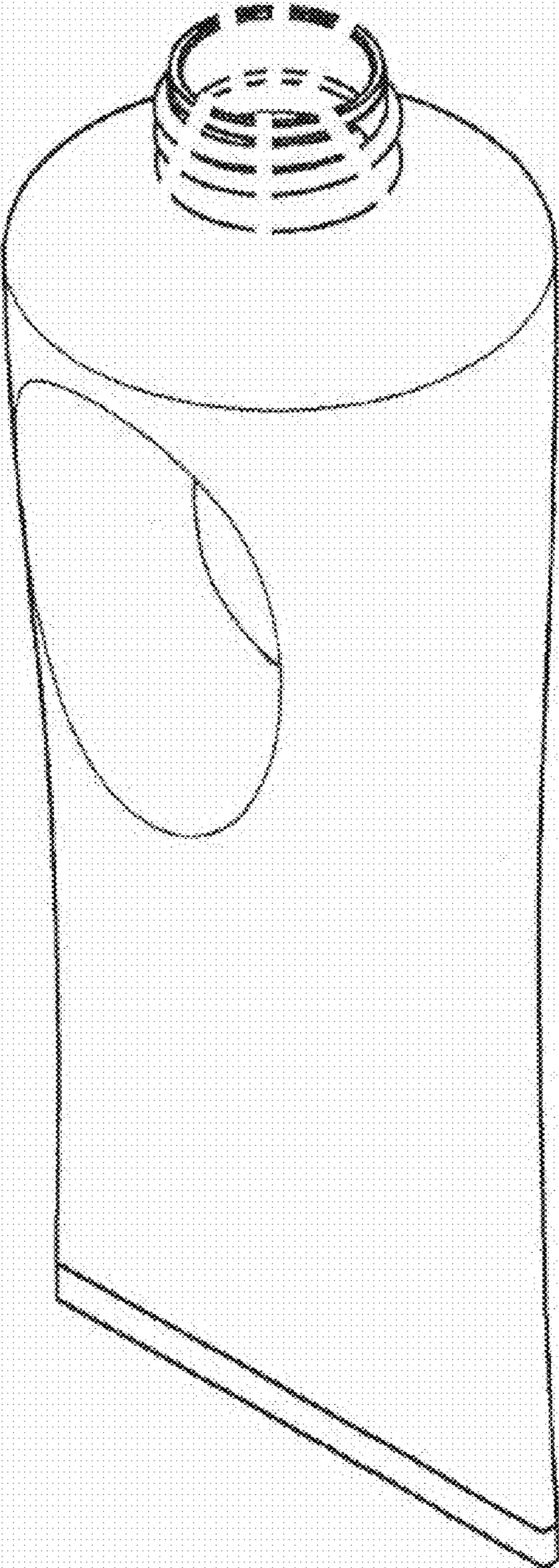


FIG. 1

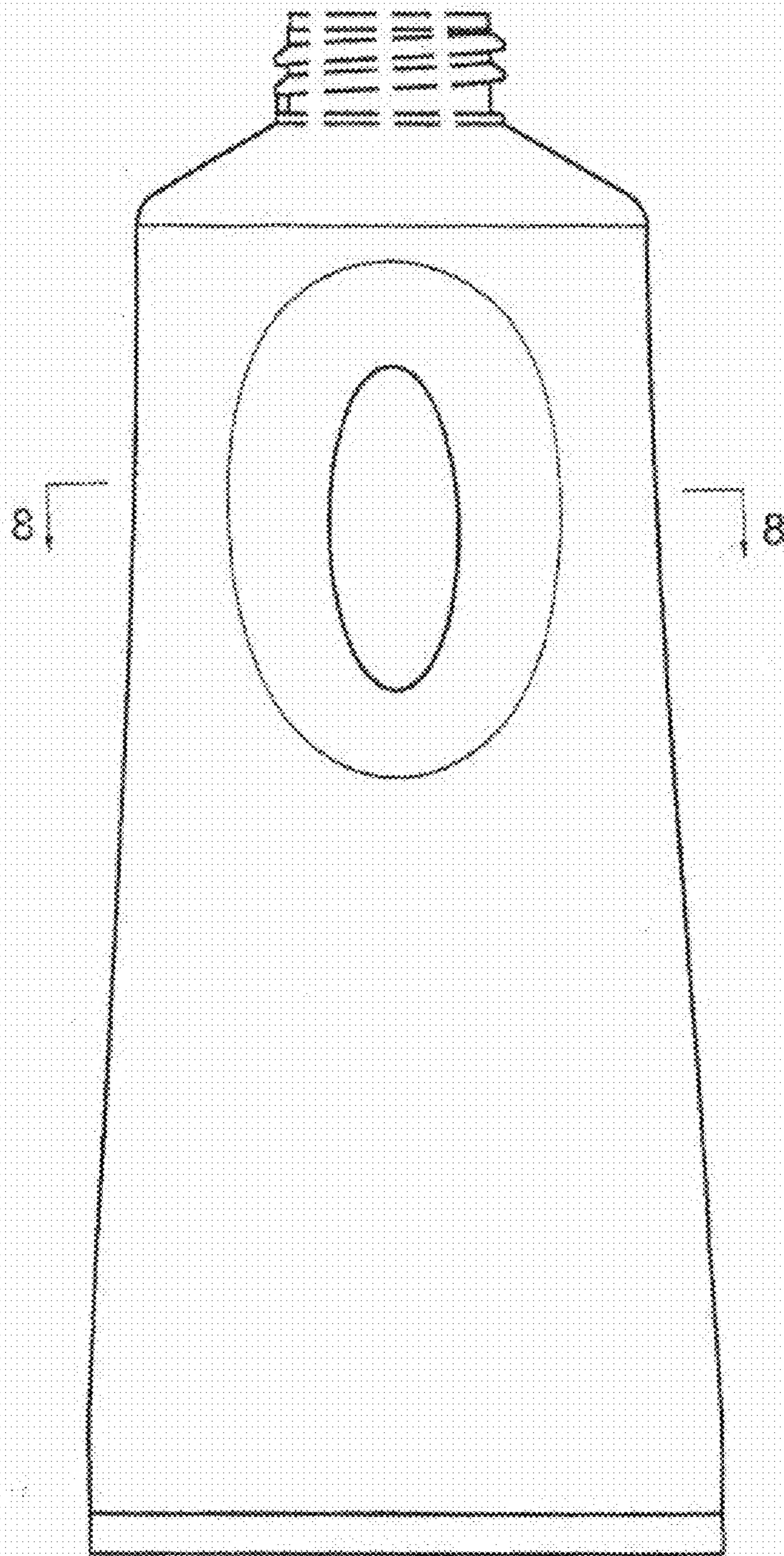


FIG. 2

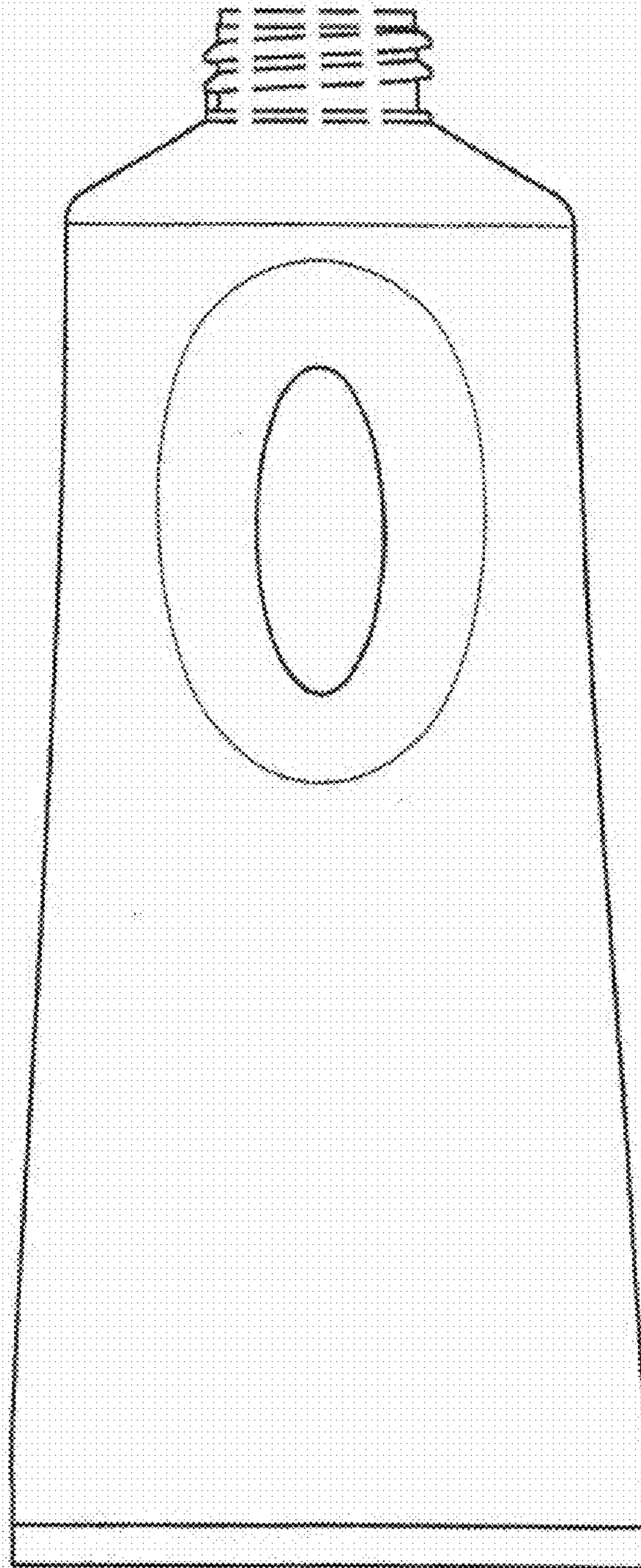


FIG. 3

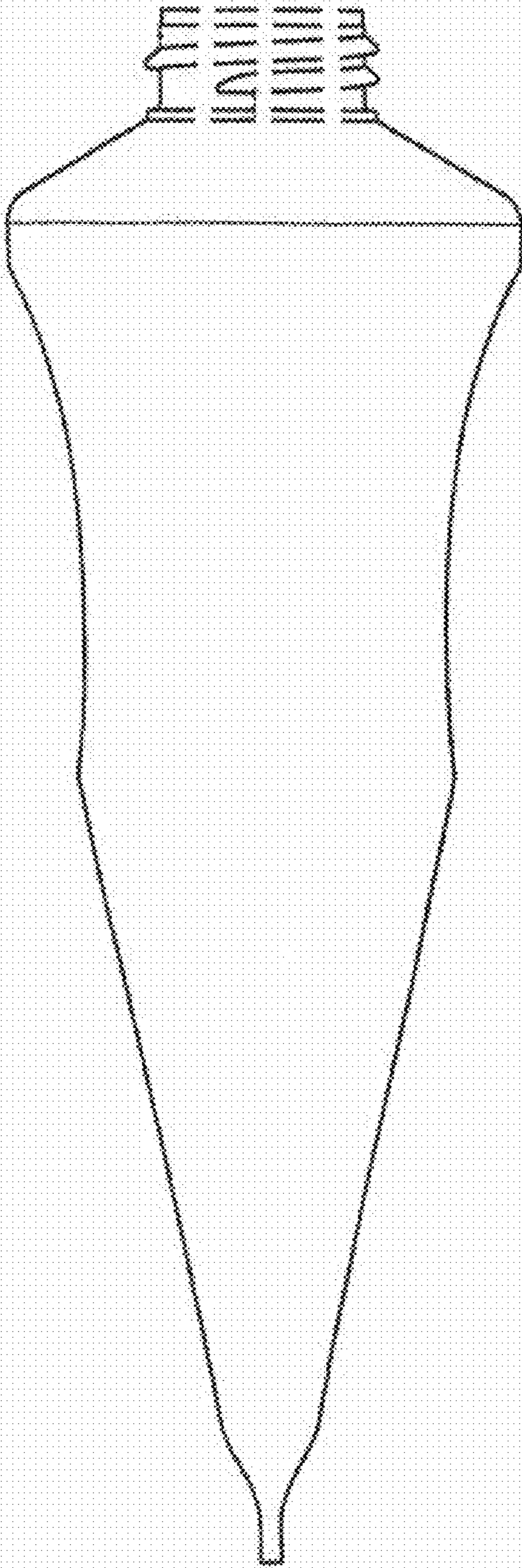


FIG. 4

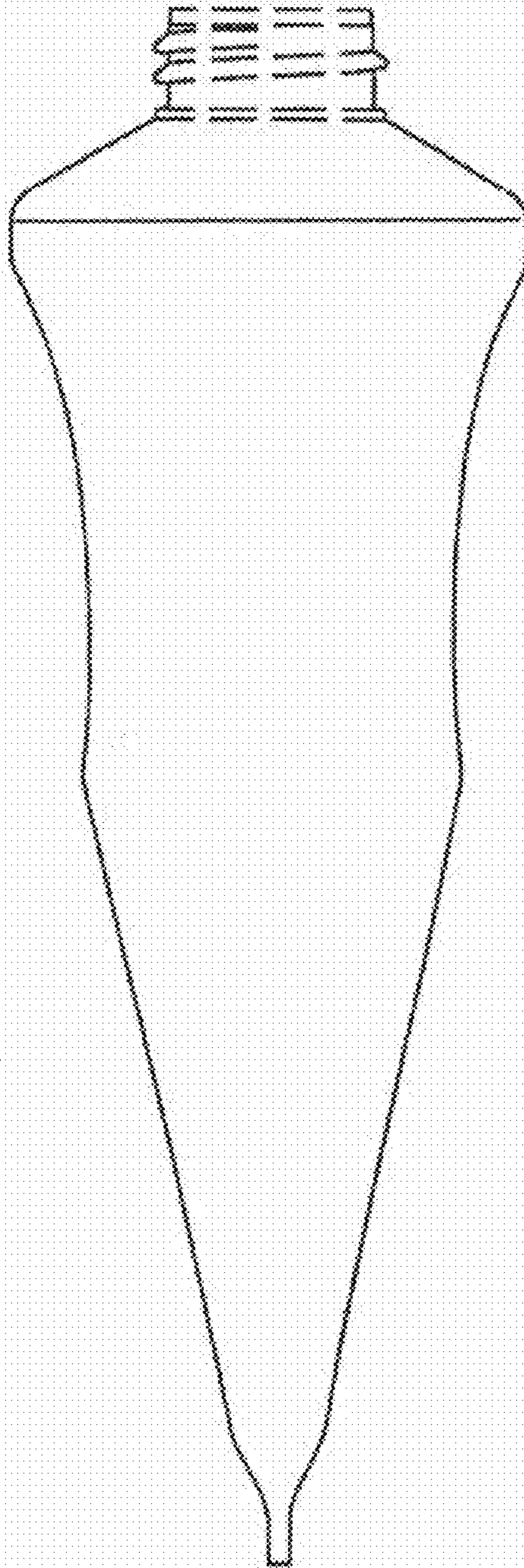


FIG. 5

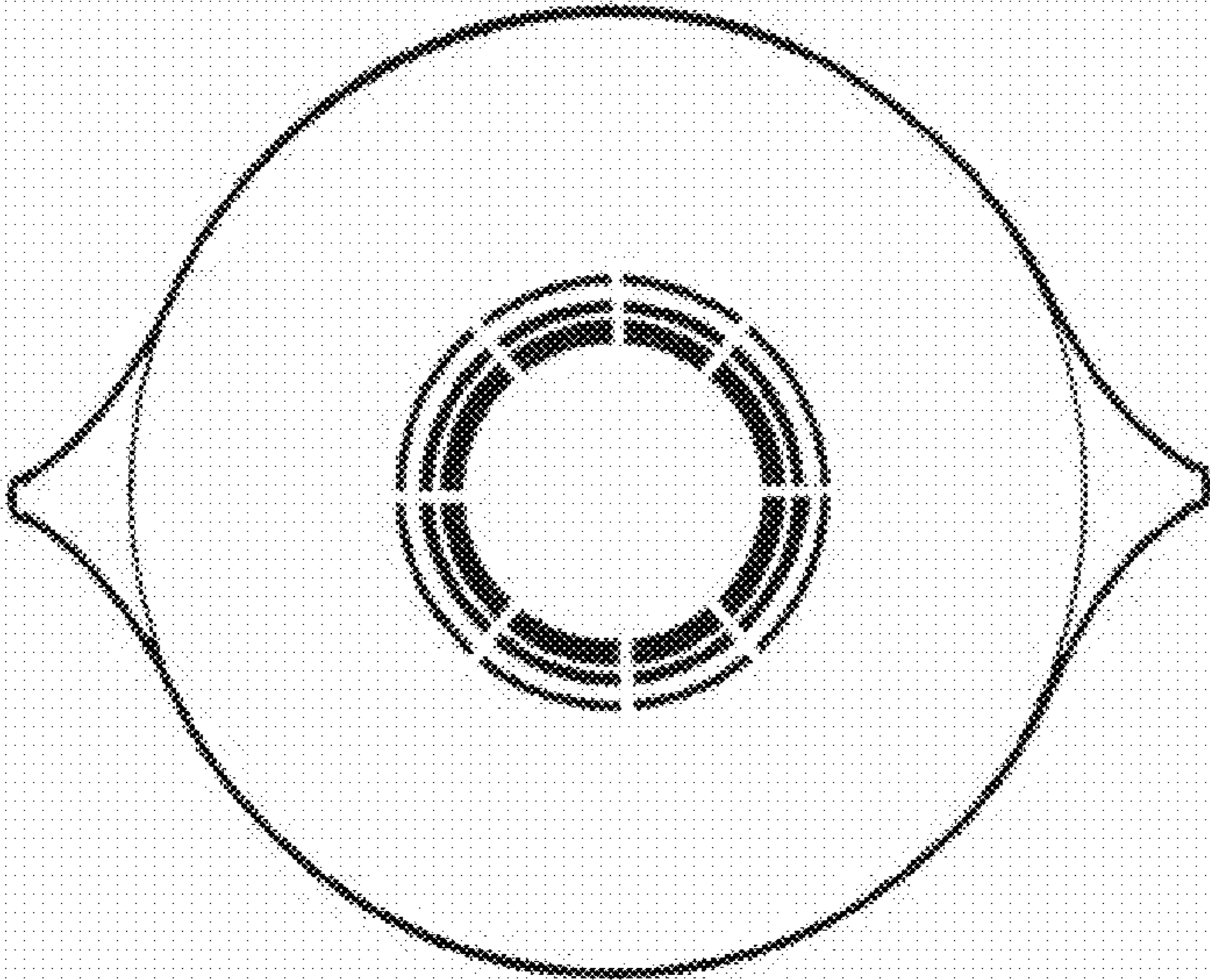


FIG. 6

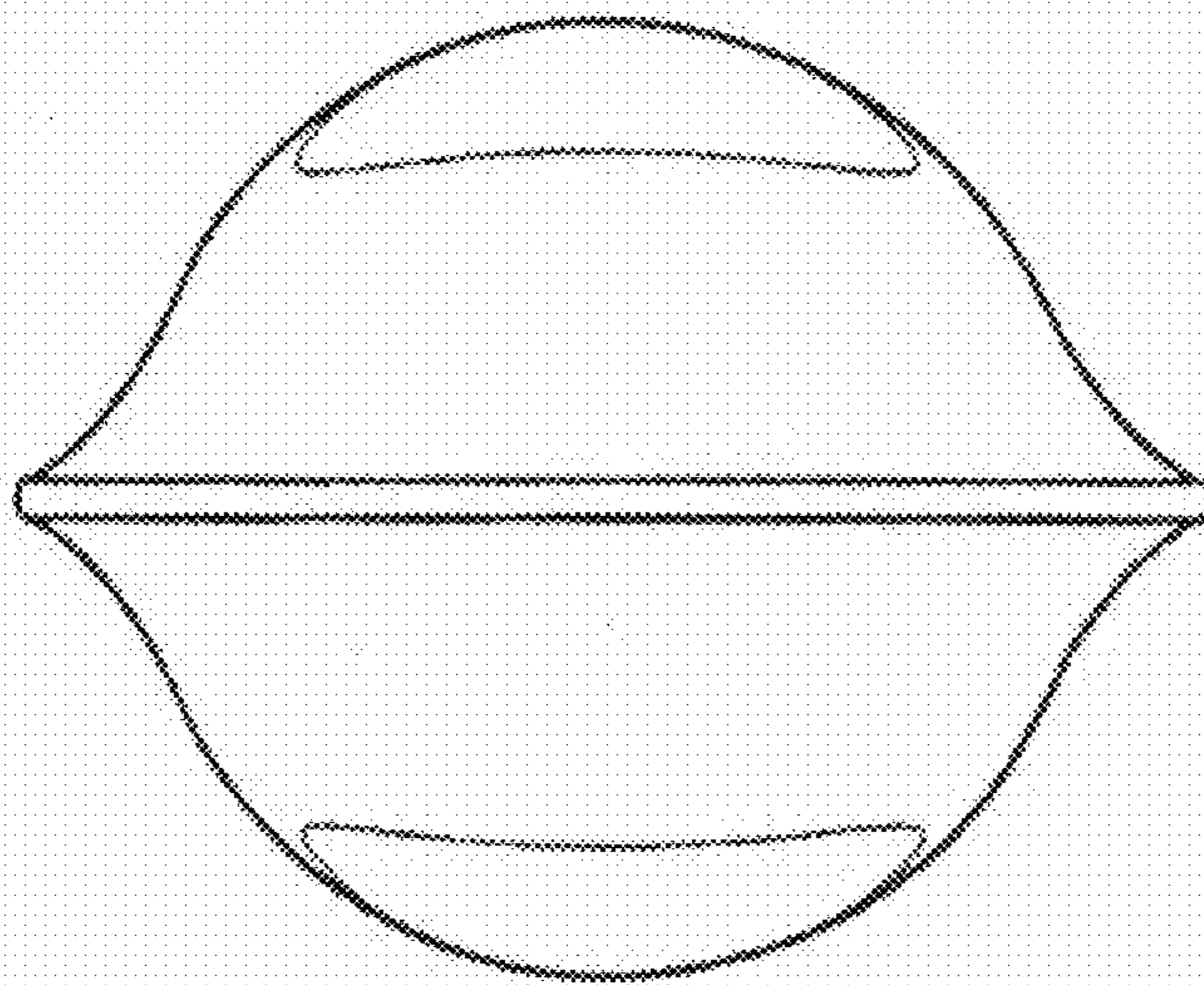


FIG. 7



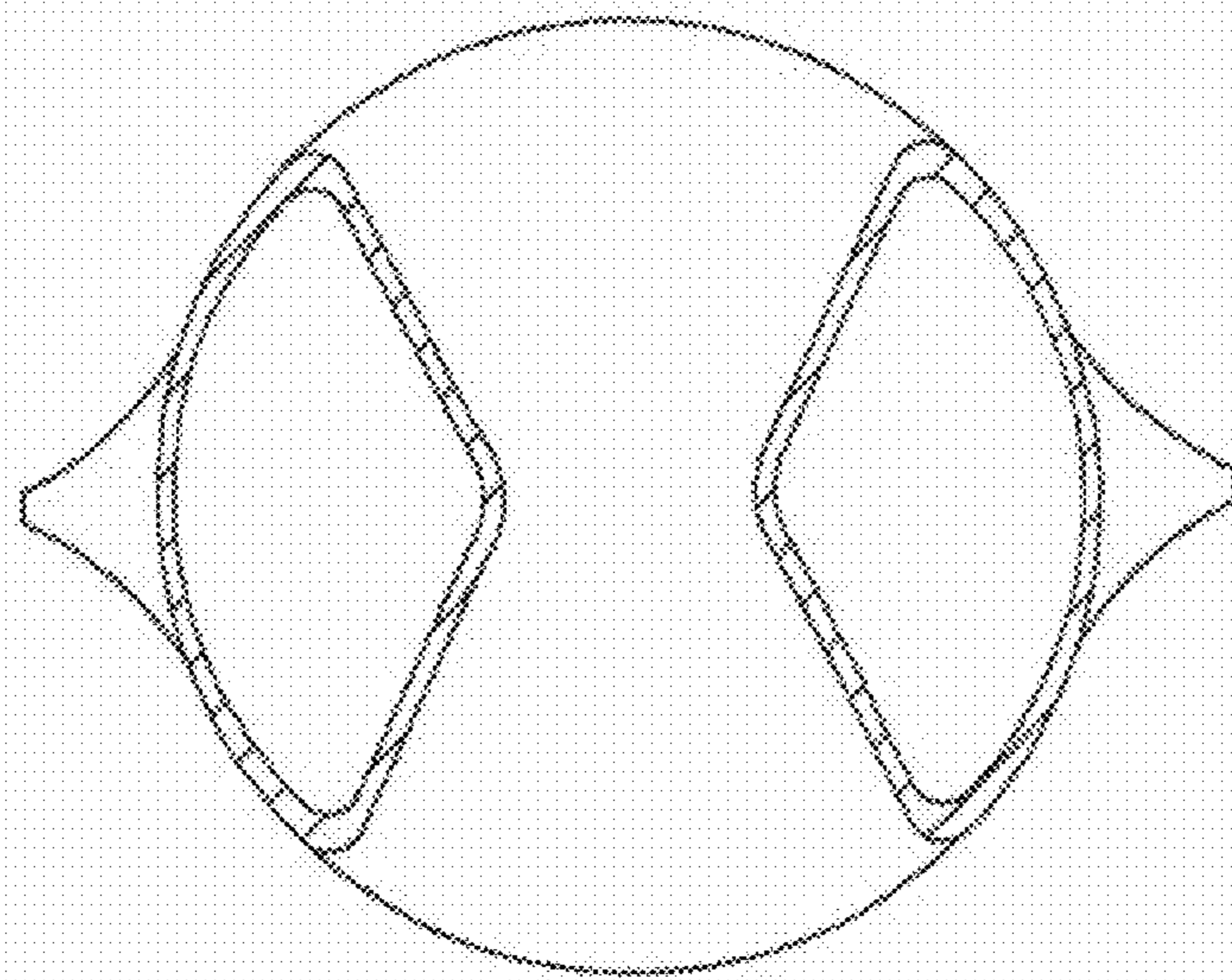


FIG. 8