



US00D606866S

(12) **United States Design Patent**
Maas et al.

(10) **Patent No.:** **US D606,866 S**
(45) **Date of Patent:** **** Dec. 29, 2009**

(54) **BOTTLE WITH HAND GRIP OPENING**

D552,476 S * 10/2007 Yelland D9/538

(75) Inventors: **David Maas**, Wheaton, IL (US); **Robert Kleckauskas**, St. Charles, IL (US); **John P. Coursey**, Chicago, IL (US); **Bruce Ronner**, Glencoe, IL (US); **Rita Sifuentes**, Melrose Park, IL (US); **Verner Fagerberg**, Bloomington, IL (US)

(Continued)

FOREIGN PATENT DOCUMENTS

GB DES. 3011380 * 3/2003

OTHER PUBLICATIONS

Image shown on webpage: http://web.archive.org/web/20070328190744/http://www.swansea.gov.uk/media/images/p/i/Reduce_reuse_recycle_200px.jpg display date: Mar. 28, 2007.*

Primary Examiner—Catherine Tuttle

(74) *Attorney, Agent, or Firm*—Wood, Phillips, Katz, Clark & Mortimer

(73) Assignee: **Arrow Plastic Manufacturing Co.**, Elk Grove, IL (US)

(**) Term: **14 Years**

(21) Appl. No.: **29/301,744**

(22) Filed: **Mar. 14, 2008**

(51) **LOC (9) Cl.** **09-01**

(52) **U.S. Cl.** **D9/520; D9/535**

(58) **Field of Classification Search** D9/600–681, D9/516–575, 434; D7/509–511, 514, 529, D7/536; D24/197; 215/11.1, 379–385; 220/669–676, 220/914, DIG. 12–DIG. 14; 206/459.5; 40/310
See application file for complete search history.

(57) **CLAIM**

The ornamental design for a bottle with hand grip opening, as shown and described.

DESCRIPTION

FIG. 1 is a front view showing our new design for a bottle with hand grip opening, the rear view being identical except for the absence of the surface emblem visible on the lower portion of the front surface;

FIG. 2 is a side elevational view thereof, the opposing side being identical except for the absence of the surface emblem visible on the lower front surface portion;

FIG. 3 is a top plan view thereof;

FIG. 4 is a top front perspective view thereof;

FIG. 5 is a bottom and front perspective view thereof;

FIG. 6 is a front elevational view of an alternate embodiment of our design, the rear elevational view being identical;

FIG. 7 is a side elevational view thereof, the opposing side view being identical;

FIG. 8 is a top plan view thereof;

FIG. 9 is a top front perspective view thereof; and,

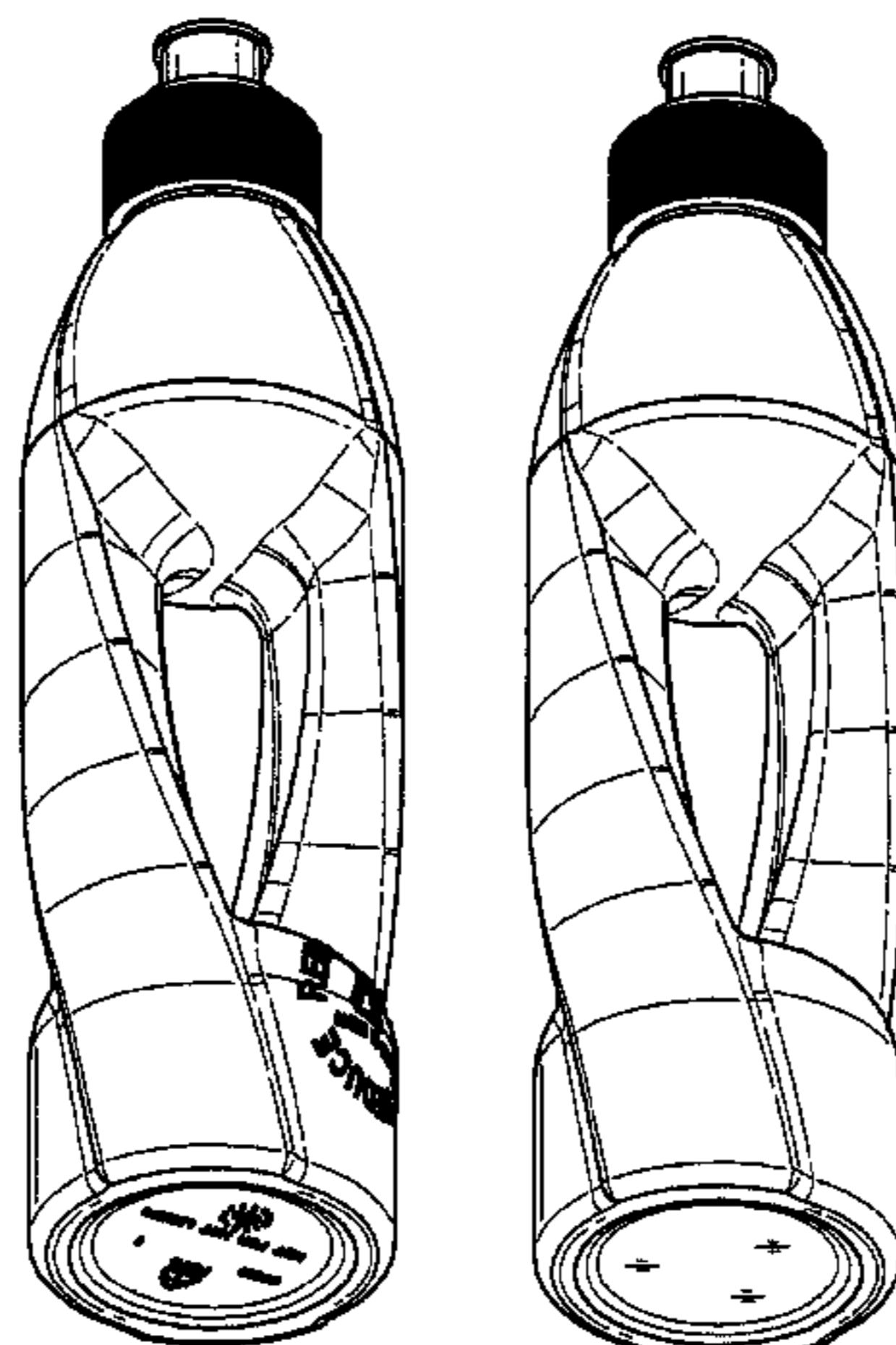
FIG. 10 is a bottom front perspective view thereof.

(56) **References Cited**

U.S. PATENT DOCUMENTS

D63,816 S	*	1/1924	Breeden	D9/520
1,797,868 A	*	3/1931	Kelchner	40/306
D286,911 S	*	11/1986	Campbell et al.	D24/197
D304,763 S	*	11/1989	Yuan et al.	D24/197
D337,921 S	*	8/1993	Iodice	D7/511
D347,763 S		6/1994	Kleckauskas et al.		
D373,050 S		8/1996	Brewer et al.		
D386,401 S	*	11/1997	Prestia et al.	D9/552
D407,946 S		4/1999	Brewer et al.		
D442,436 S		5/2001	Kleckauskas et al.		
D460,917 S	*	7/2002	Trabal	D9/551
D481,937 S	*	11/2003	McRae	D9/623
D482,620 S		11/2003	Kleckauskas et al.		
D490,653 S		6/2004	Kleckauskas et al.		
D496,222 S		9/2004	Kleckauskas et al.		
D516,864 S		3/2006	Kleckauskas et al.		

1 Claim, 10 Drawing Sheets



US D606,866 S

Page 2

U.S. PATENT DOCUMENTS

D555,502 S *	11/2007	Fouques Du Parc	D9/630	2007/0102316 A1*	5/2007	Van Der Krogt et al. .	206/459.5
D577,595 S *	9/2008	Lee	D9/549	2007/0125743 A1*	6/2007	Pritchett et al.	215/379
2007/0068894 A1*	3/2007	Iwashita et al.	215/382	* cited by examiner			

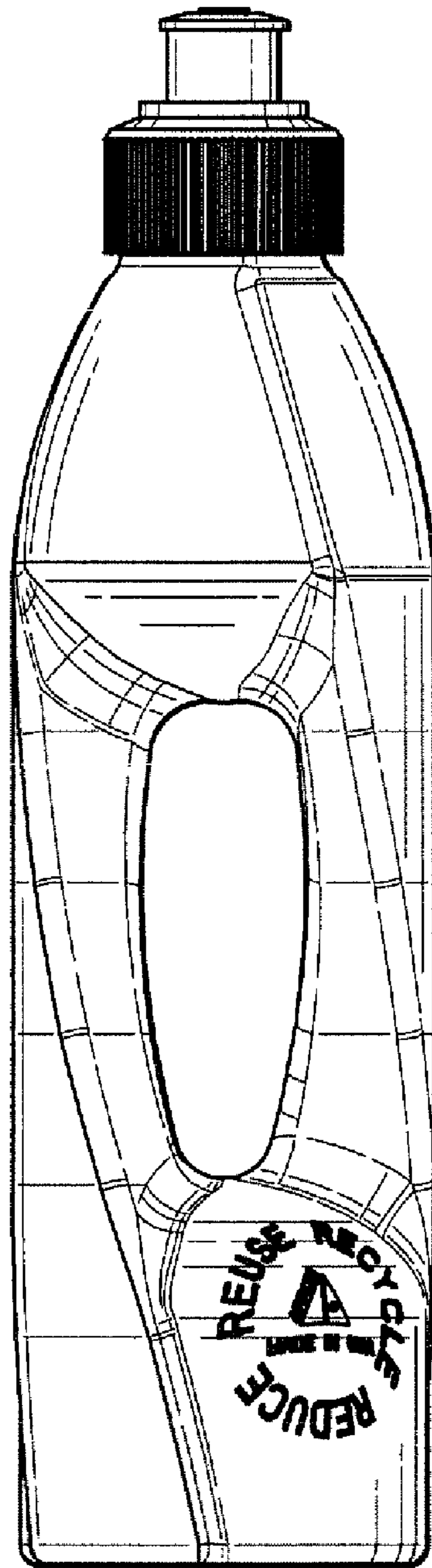


FIGURE 1

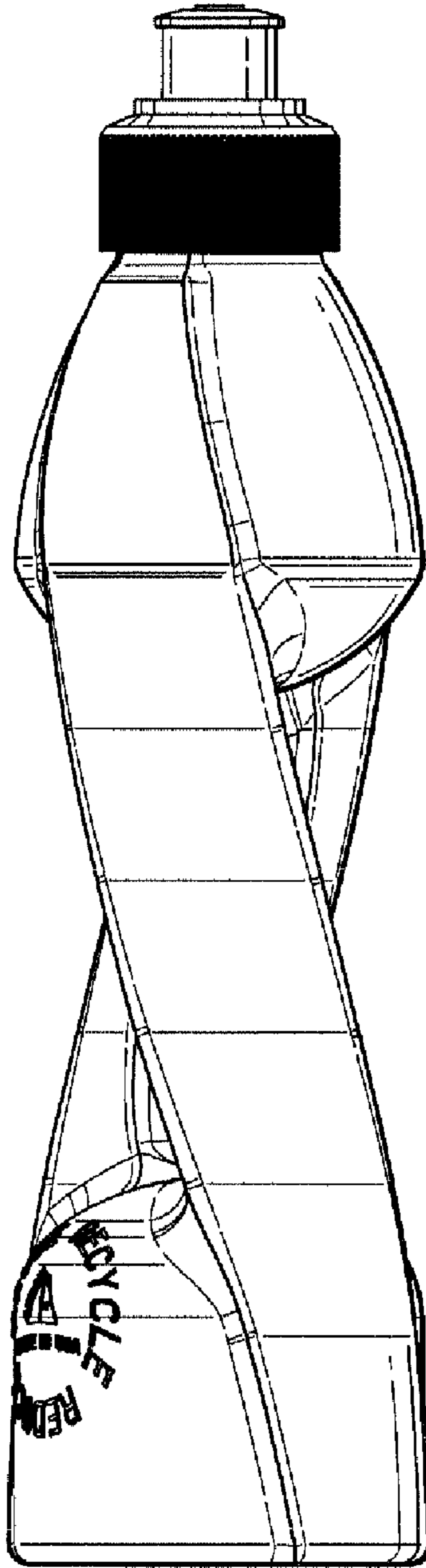


FIGURE 2

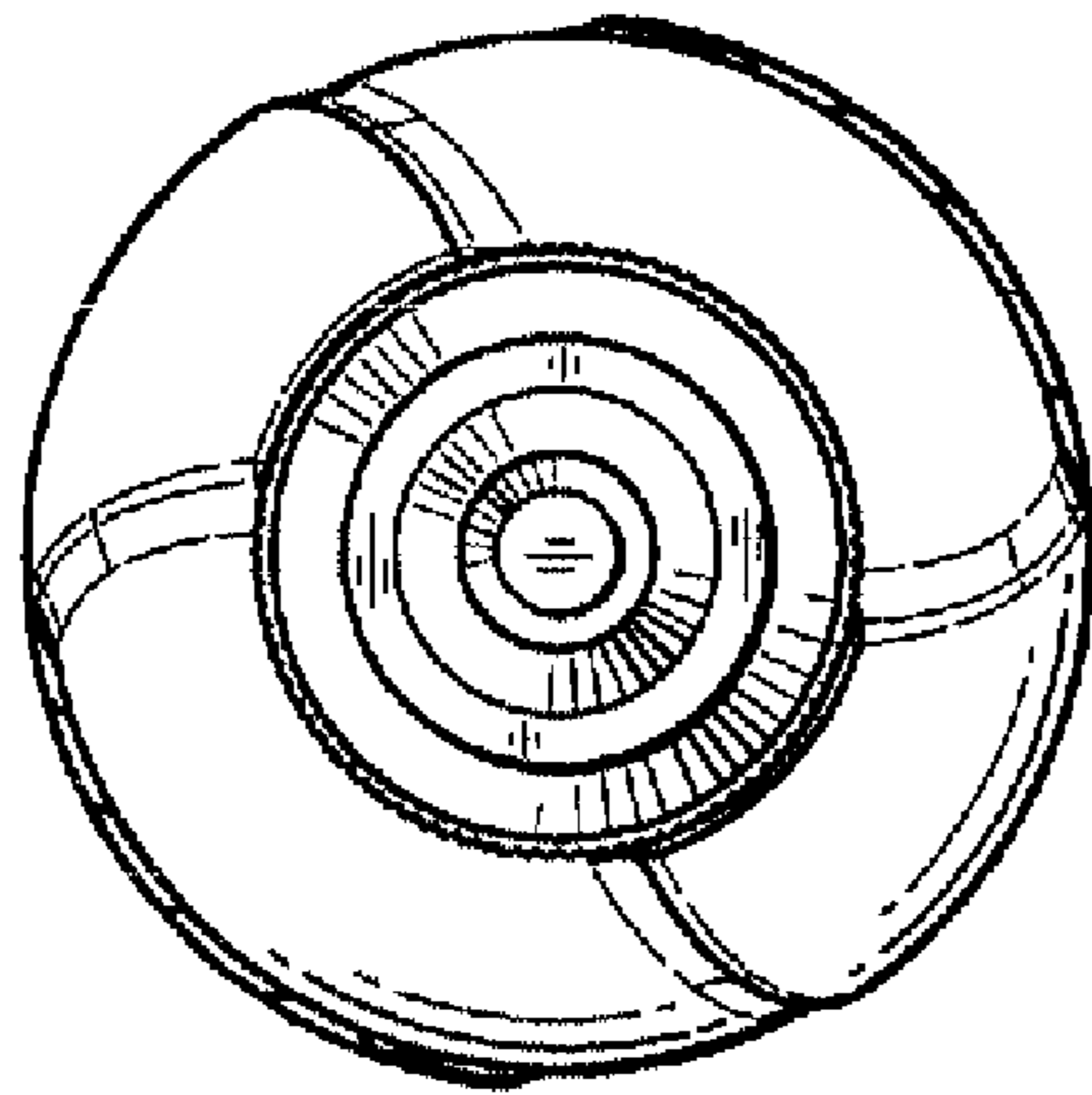


FIGURE 3

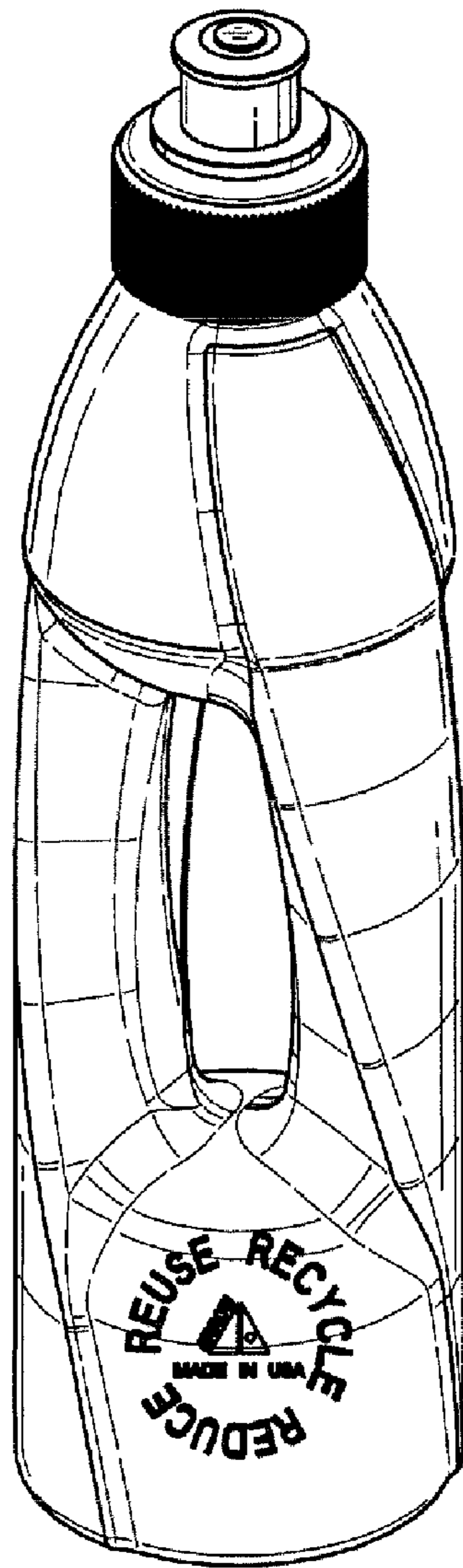


FIGURE 4

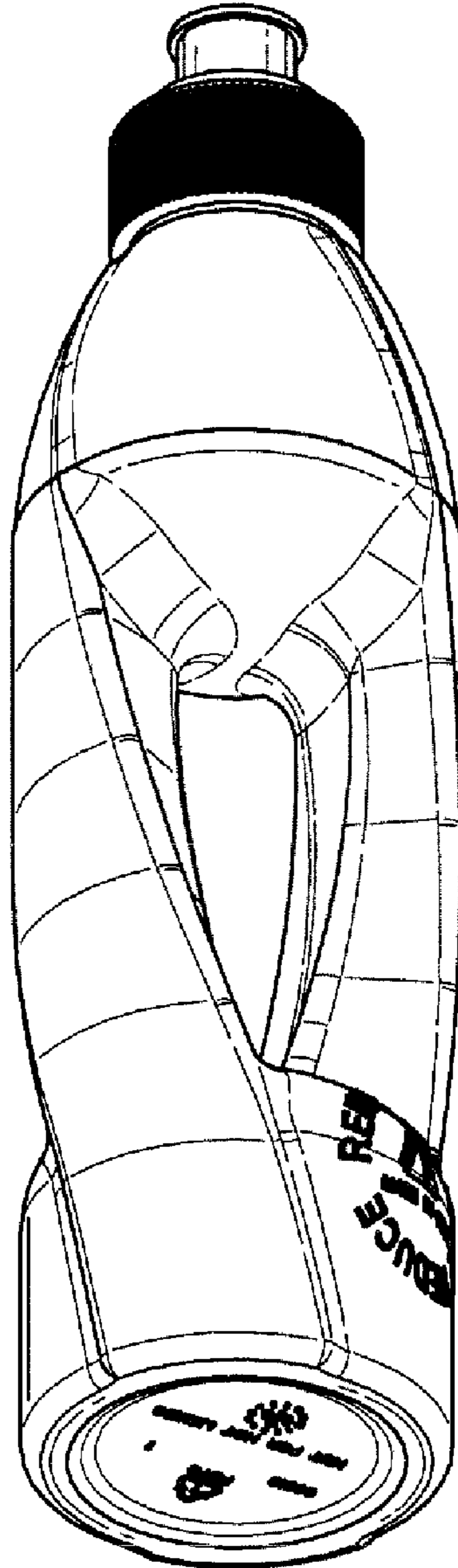


FIGURE 5

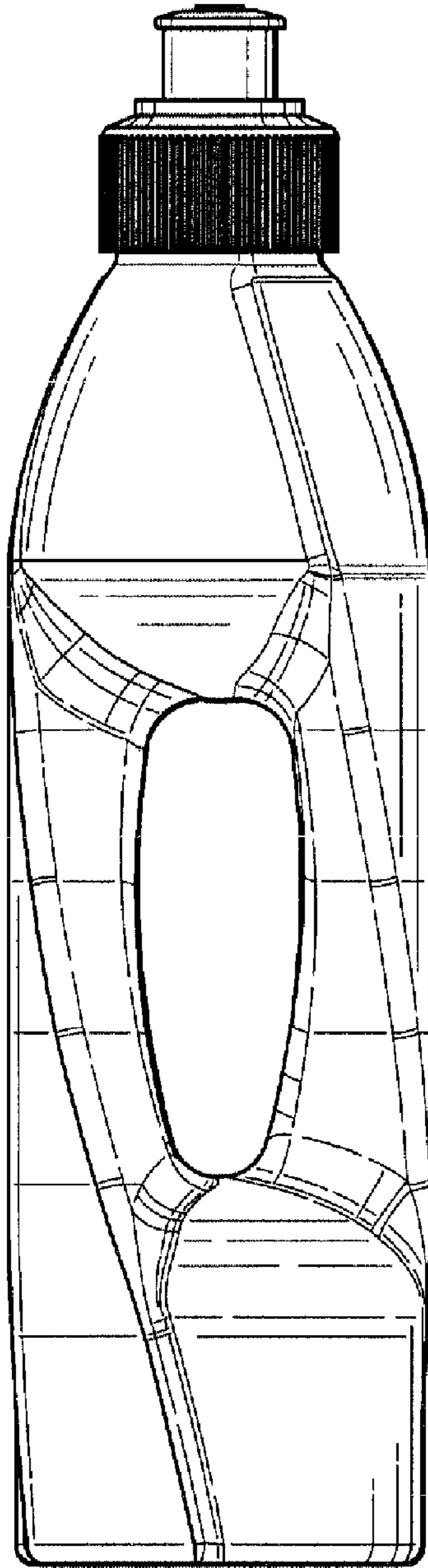


FIGURE 6

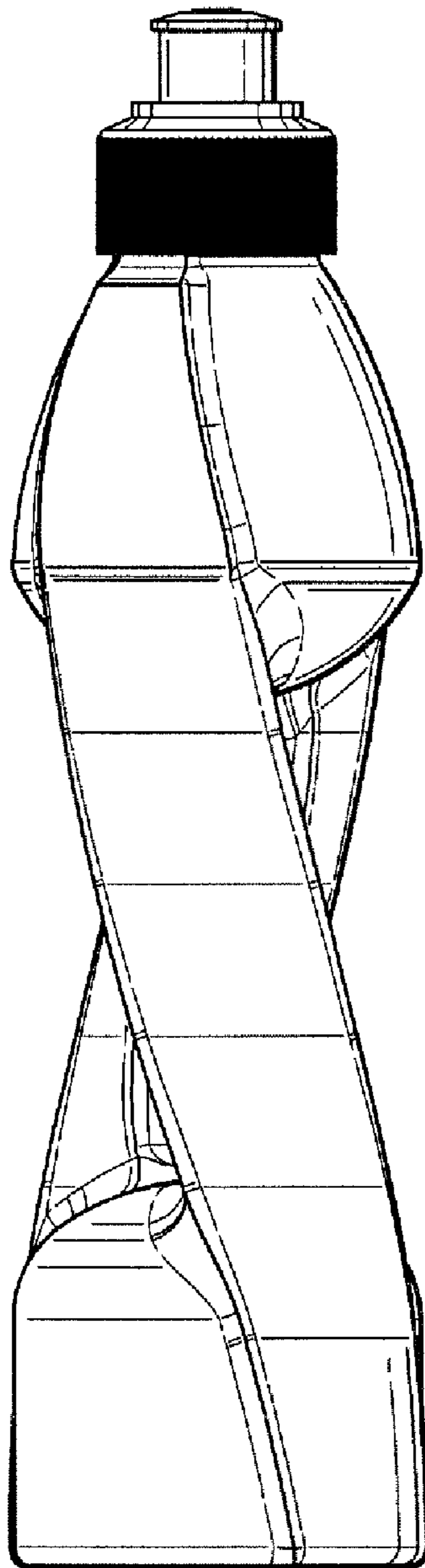


FIGURE 7

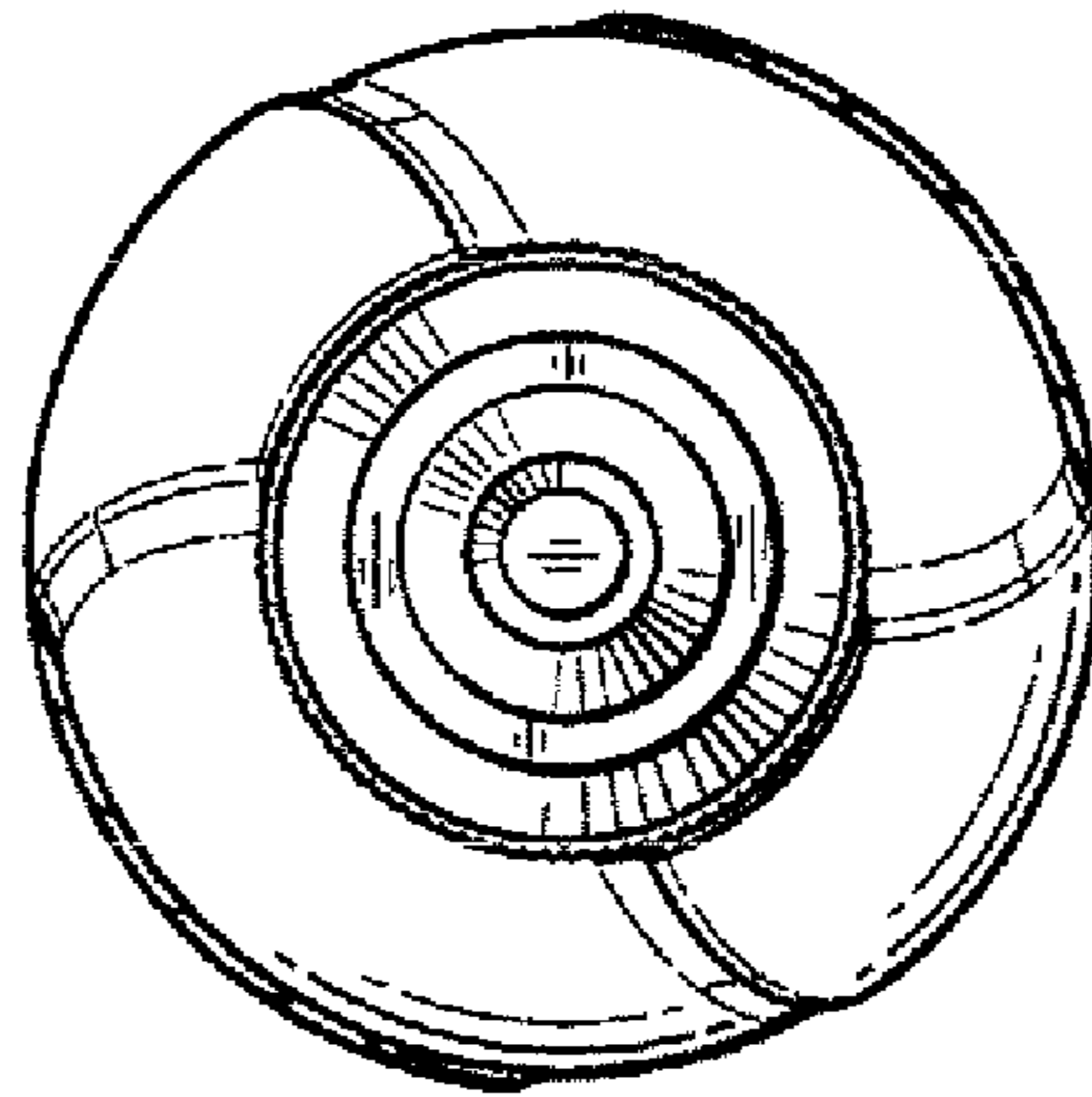


FIGURE 8

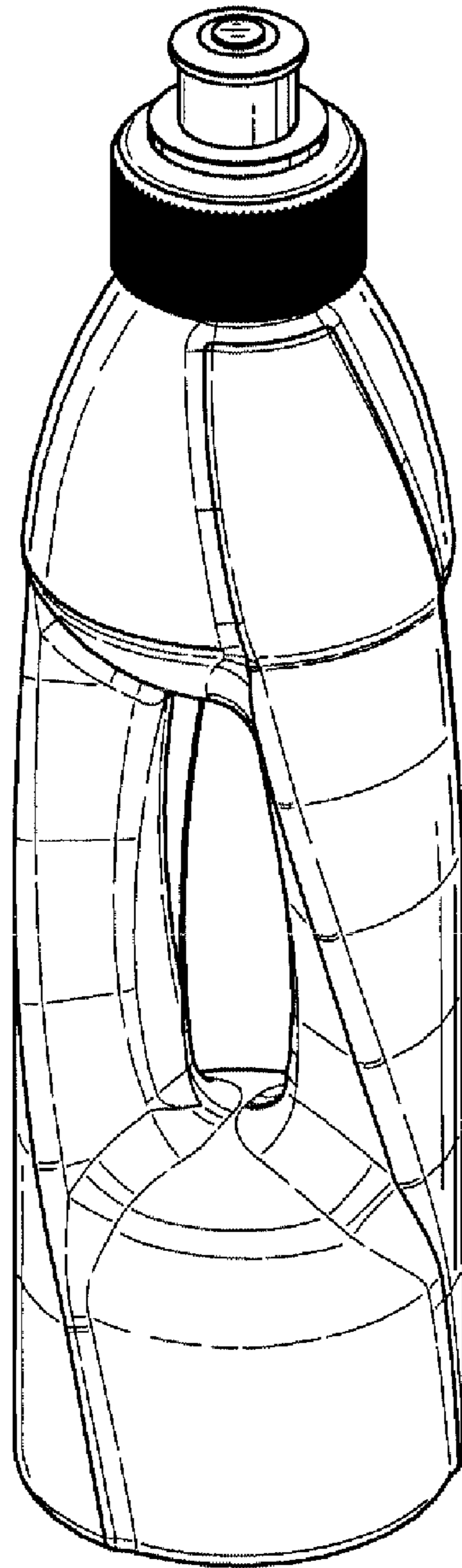


FIGURE 9

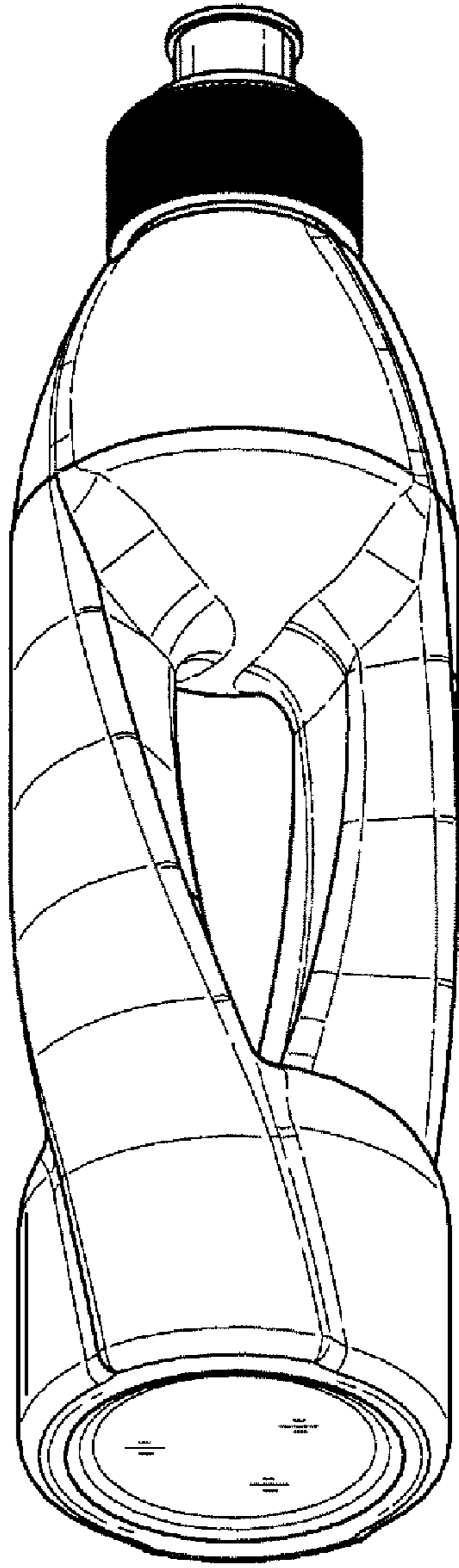


FIGURE 10