



US00D606862S

(12) **United States Design Patent**
Mora-Hernandez et al.

(10) **Patent No.:** **US D606,862 S**
(45) **Date of Patent:** **** Dec. 29, 2009**

(54) **CONTAINER CAP**

(76) Inventors: **Carlos Mora-Hernandez**, Pelicano No. 818, Col. Morelos, C.P. 44910 Guadalajara, Jalisco (MX); **Carlos Mora-Casillas**, Pelicano No. 818, Col. Morelos, C.P. 44910 Guadalajara, Jalisco (MX)

(**) Term: **14 Years**

(21) Appl. No.: **29/325,465**

(22) Filed: **Oct. 1, 2008**

(30) **Foreign Application Priority Data**

Apr. 2, 2008 (MX) MX/F/2008/000740

(51) **LOC (9) Cl.** **09-07**

(52) **U.S. Cl.** **D9/449; D9/454**

(58) **Field of Classification Search** D9/556, D9/529, 454, 453, 452, 449, 443, 439, 504, D9/450, 447, 446, 730-732, 435; D8/312; D7/392.1; D23/261; D14/217; D12/197; 229/123.1; 222/541.2, 575, 566, 556, 552, 222/519, 494, 480, 479, 212, 565; 220/288, 220/810, 781; 215/350, 344, 295, 270, 256, 215/252, 218, 216, 209, 206, 235, 236, 331, 215/220; 206/534; 116/308-315

See application file for complete search history.

(56) **References Cited**

U.S. PATENT DOCUMENTS

4,403,712 A * 9/1983 Wiesinger 220/839
4,852,770 A * 8/1989 Sledge et al. 222/153.14

5,145,080 A * 9/1992 Imbery, Jr. 215/331
5,271,531 A * 12/1993 Rohr et al. 222/212
5,437,383 A * 8/1995 Stull 215/235
D371,485 S * 7/1996 Hickey D7/392.1
6,050,441 A * 4/2000 Kuo 220/324
D455,077 S * 4/2002 Gaiser et al. D9/449
6,431,381 B1 * 8/2002 Randall 215/331
D530,203 S * 10/2006 Li D9/449

* cited by examiner

Primary Examiner—Susan Bennett Hattan

(74) *Attorney, Agent, or Firm*—Lackenbach Siegel, LLP

(57) **CLAIM**

The ornamental design for a container cap, as shown and described.

DESCRIPTION

FIG. 1 is a side and top perspective view of the container cap; FIG. 2 is a left side view thereof; right side view being a mirror image thereof;

FIG. 3 is a front view thereof;

FIG. 4 is a rear view thereof;

FIG. 5 is a top view thereof;

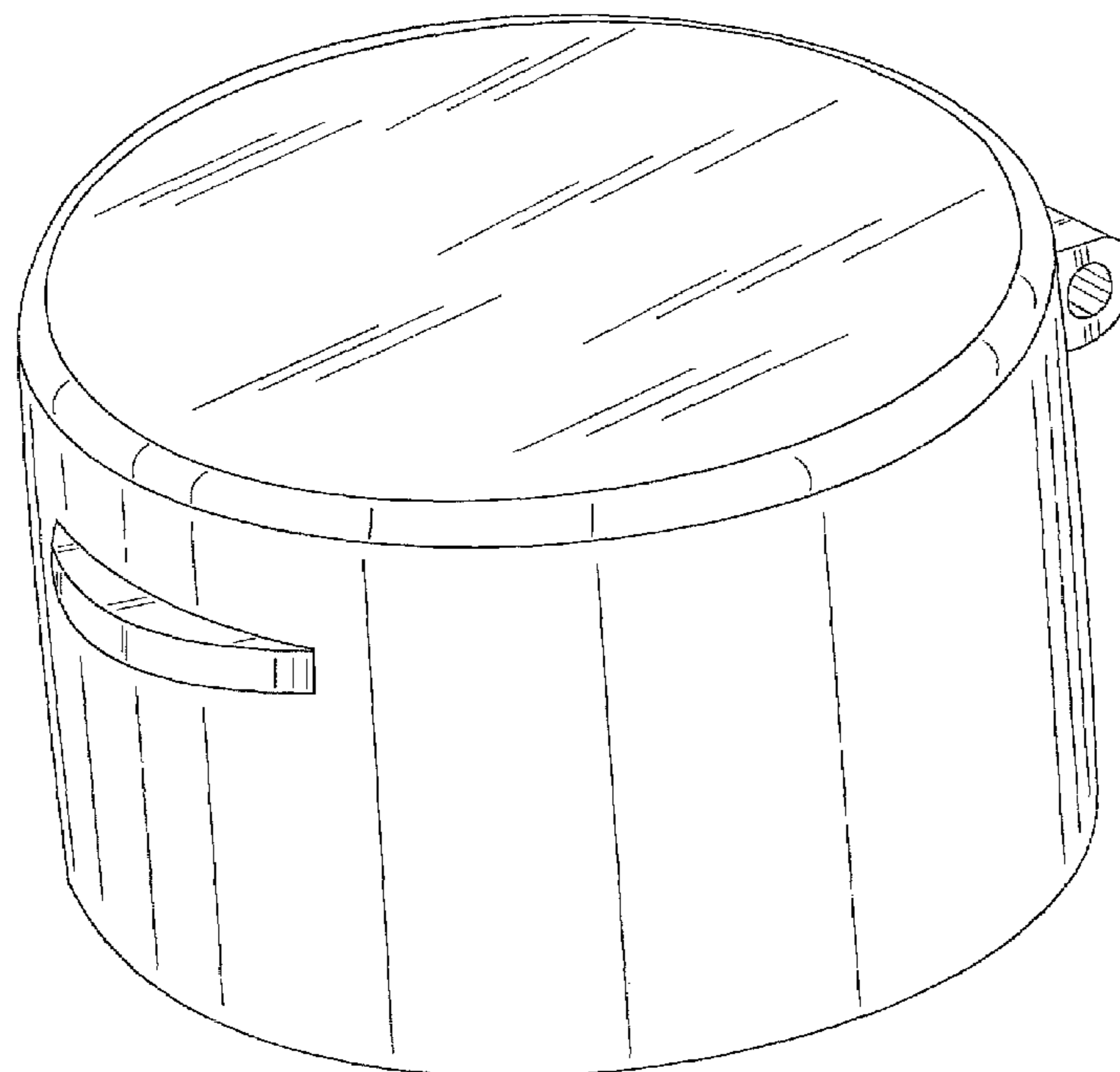
FIG. 6 is a bottom view thereof;

FIG. 7 is a top perspective view thereof with the container cap in an alternative position;

FIG. 8 is a side view thereof with the container cap in the alternative position; and,

FIG. 9 is a bottom perspective view thereof with the container cap in the alternative position.

1 Claim, 6 Drawing Sheets



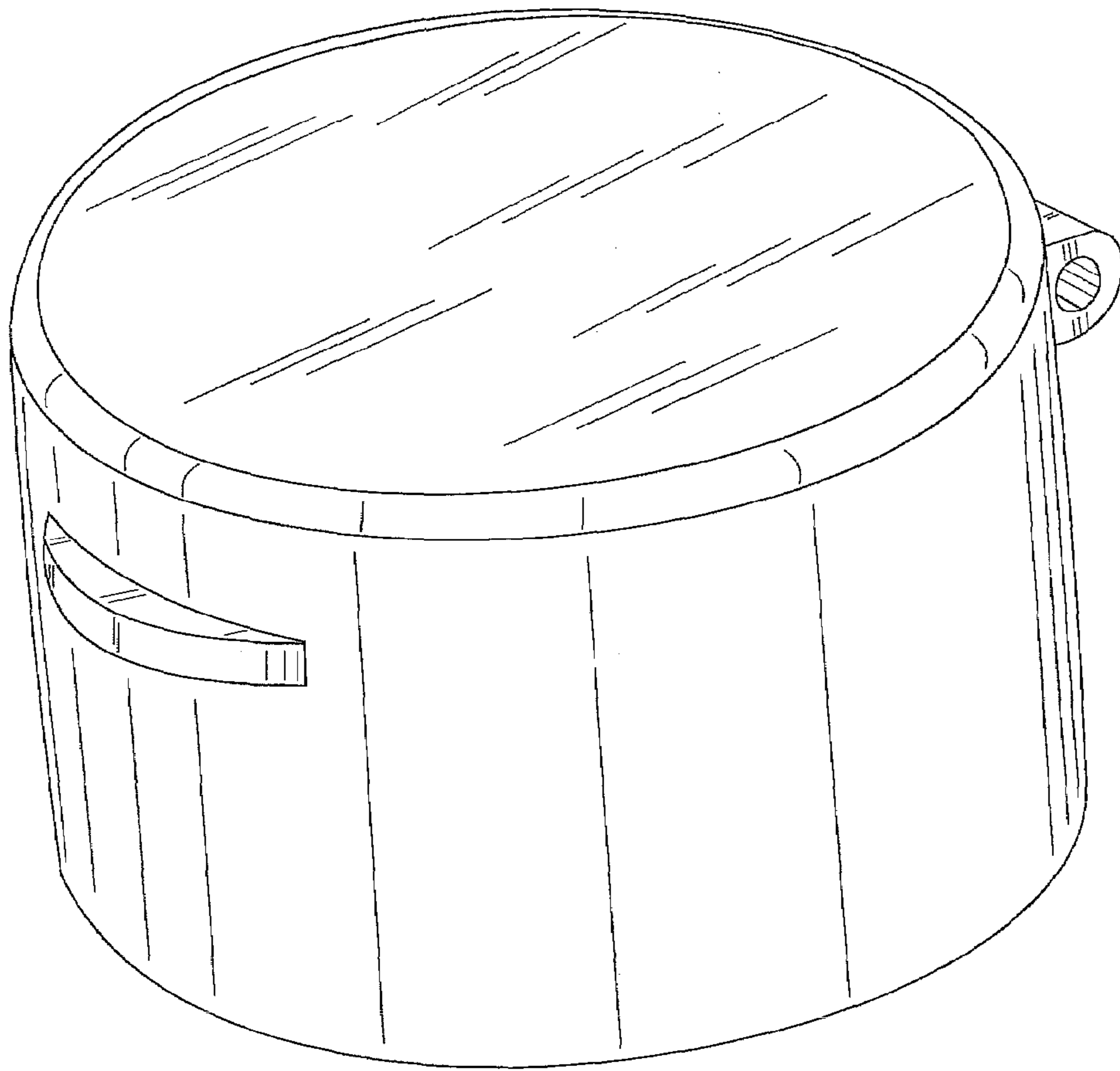


FIG. 1

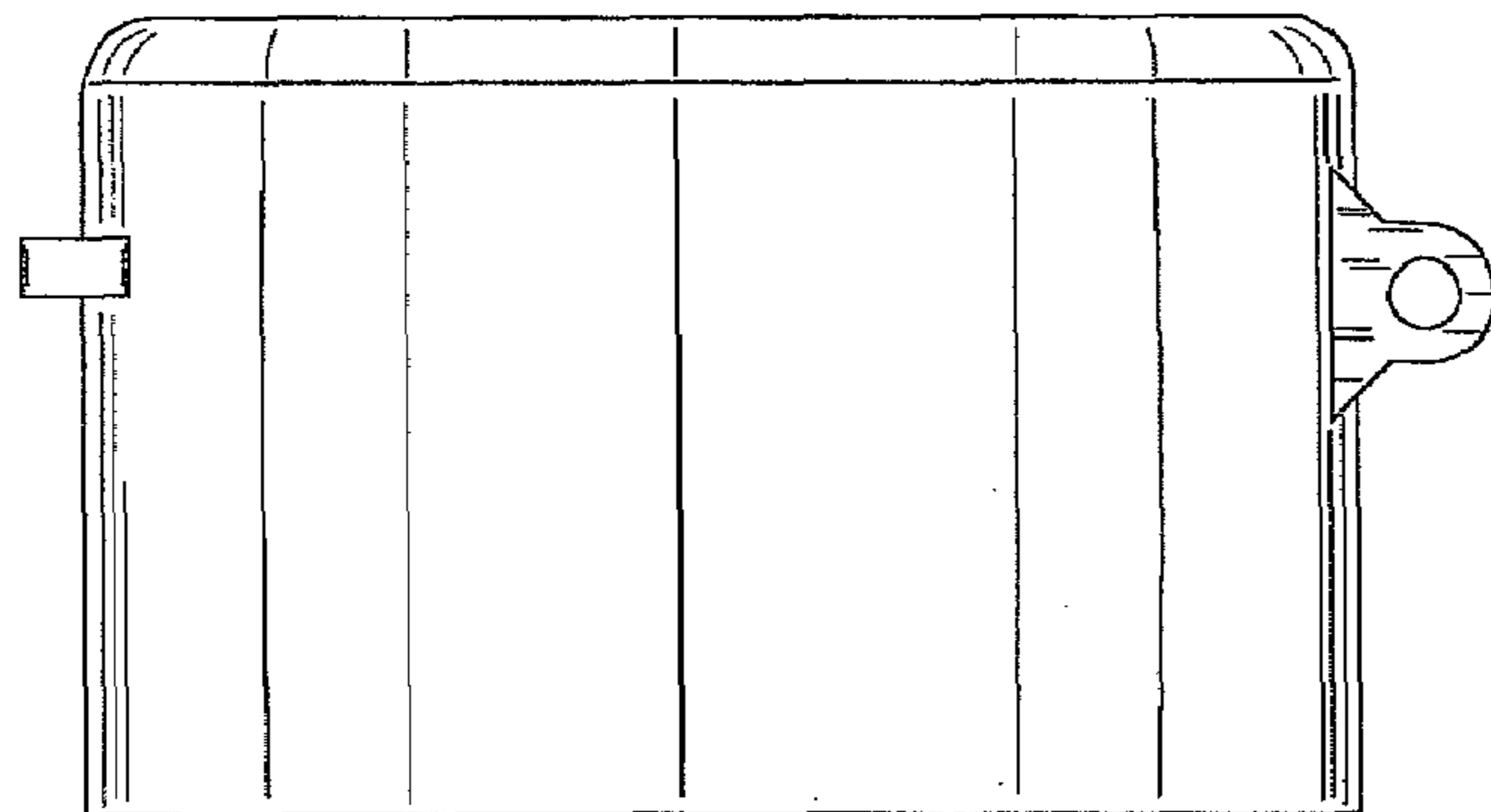


FIG. 2

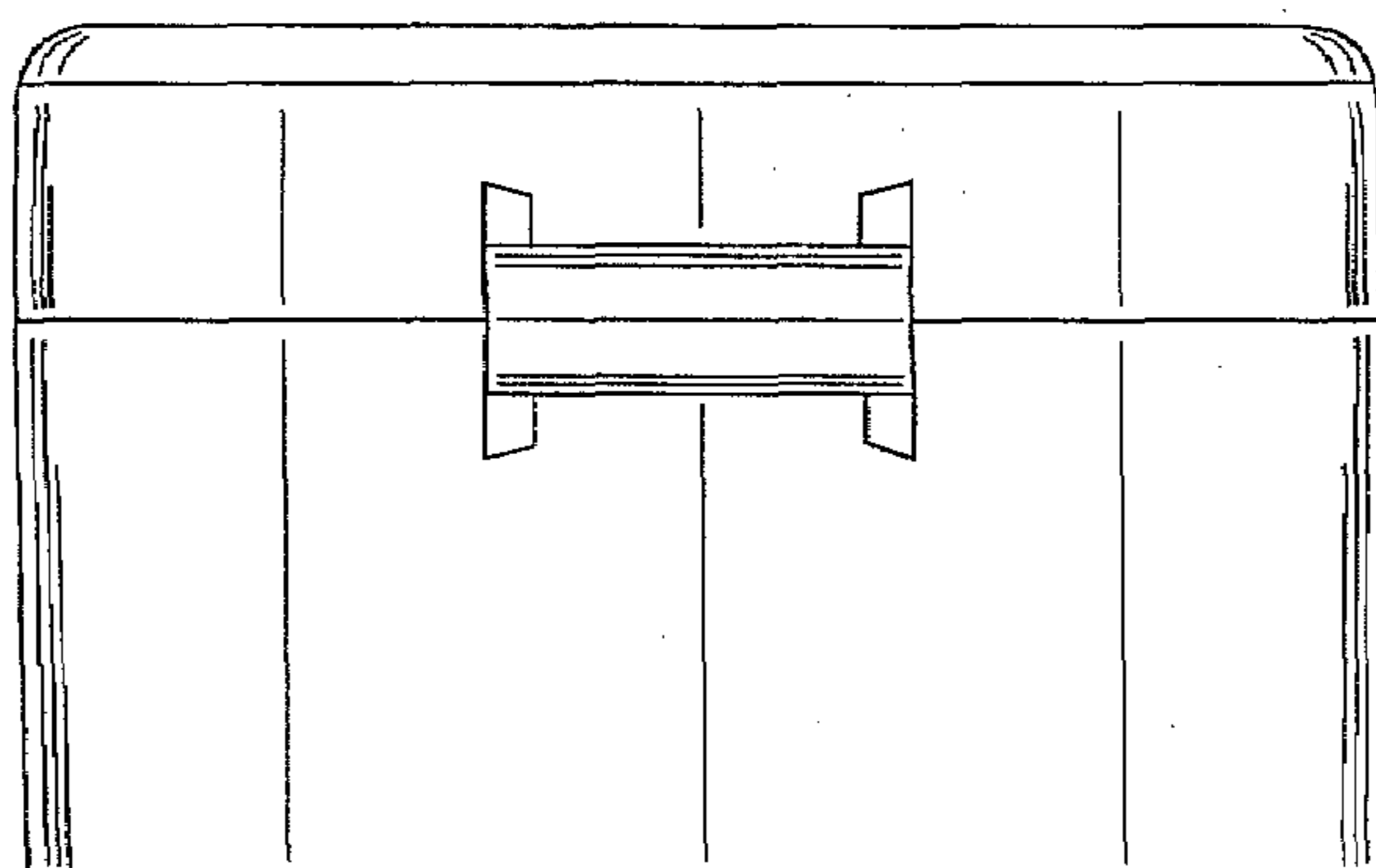


FIG. 3

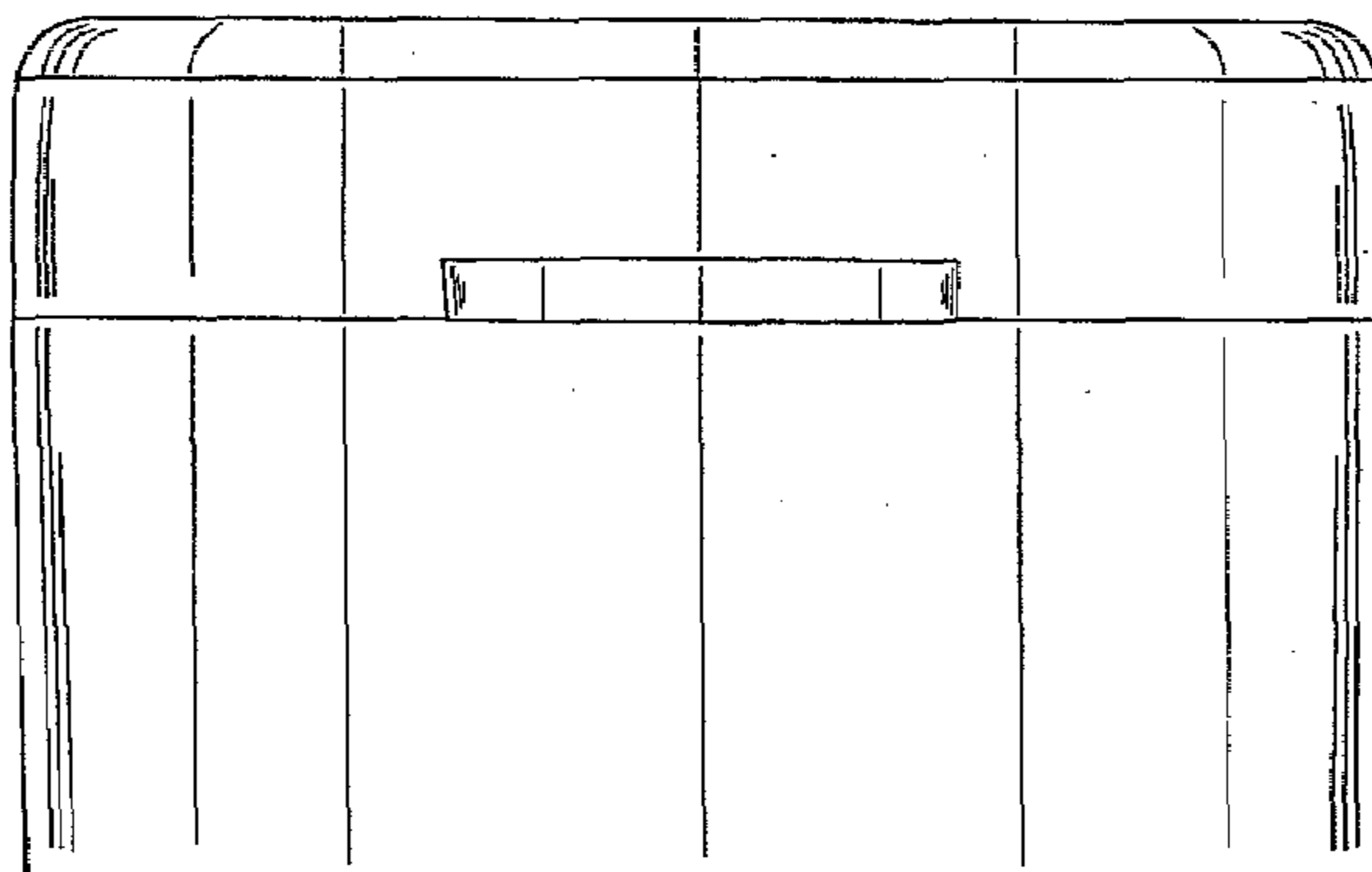


FIG. 4

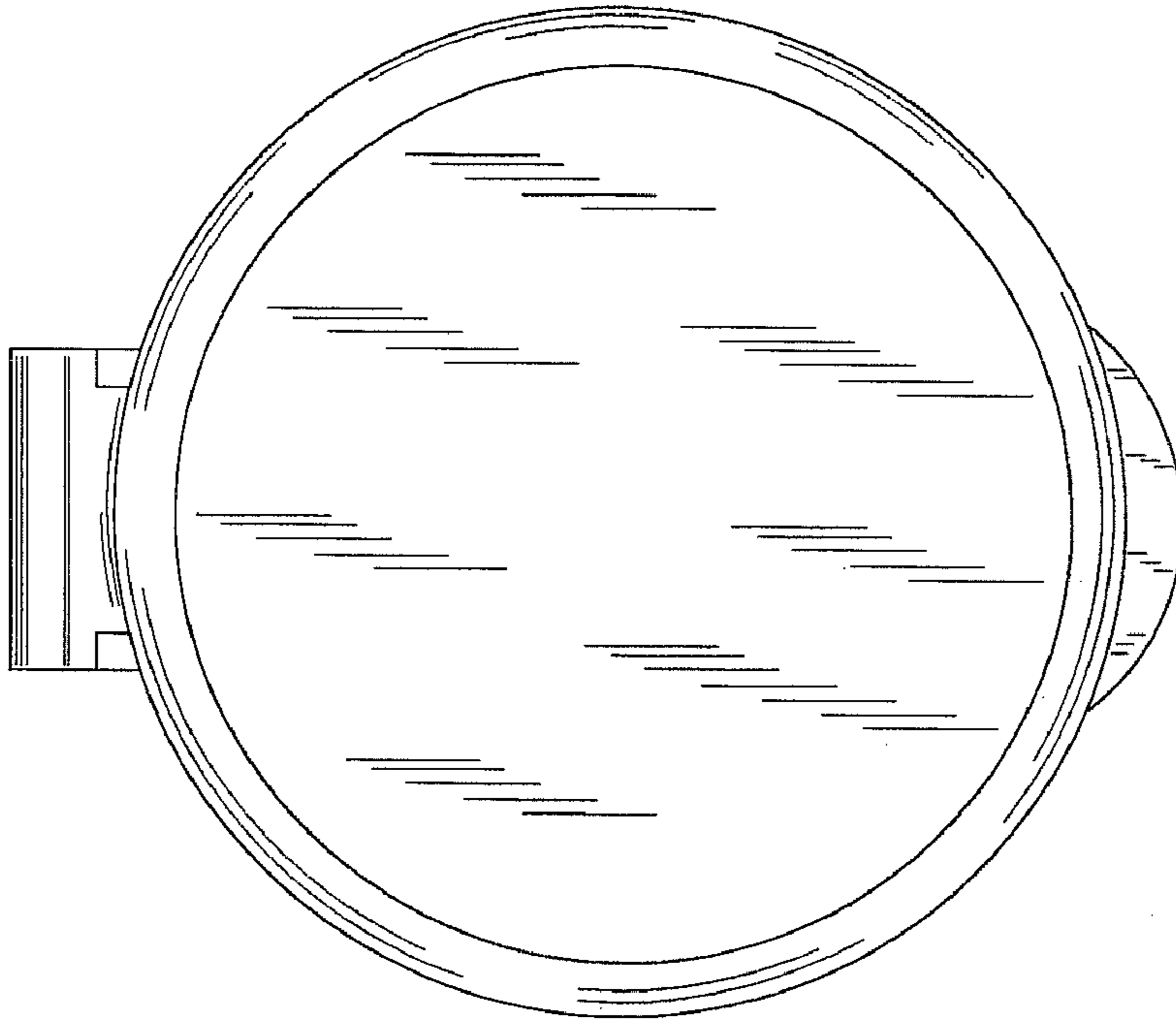


FIG. 5

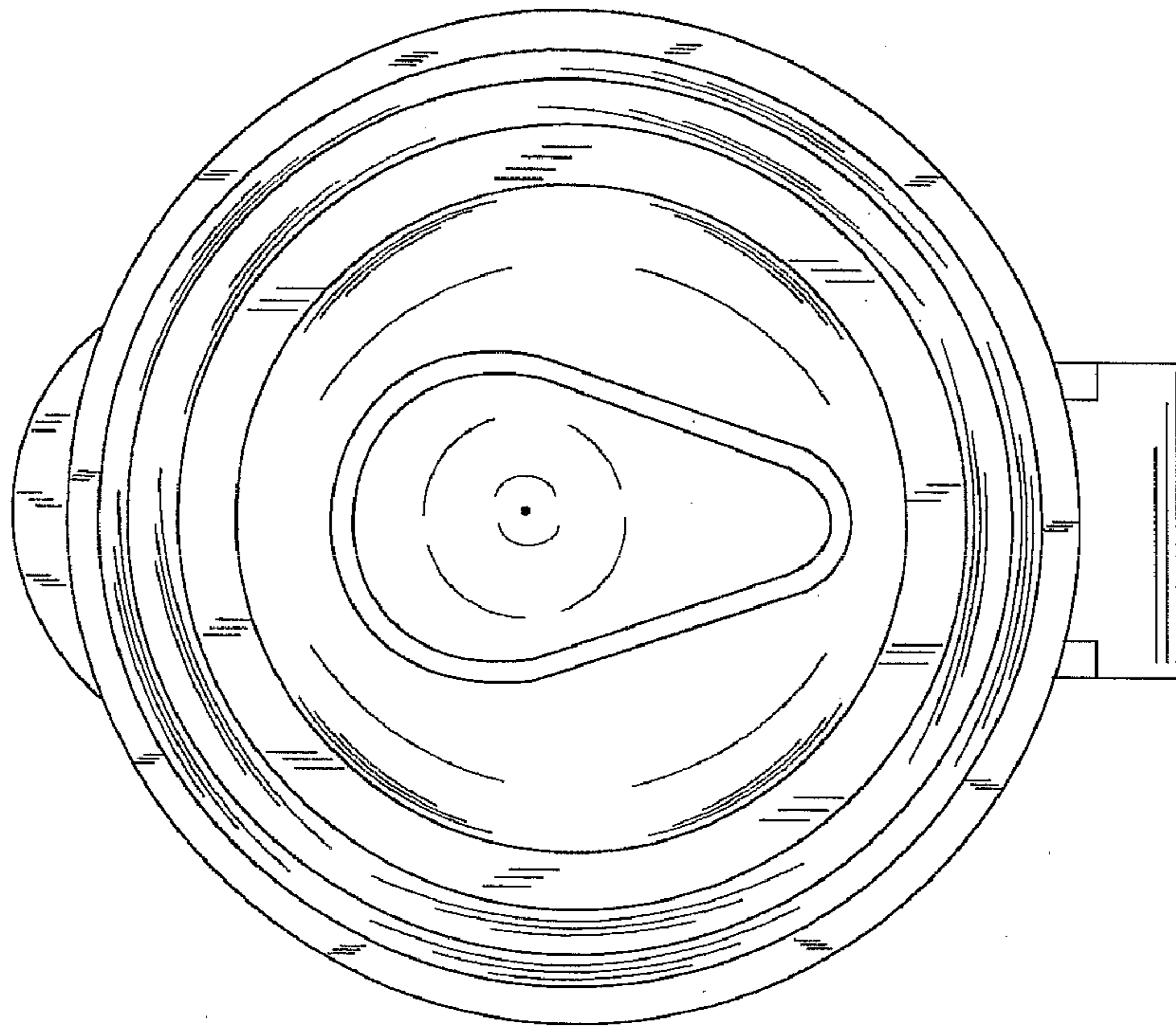


FIG. 6

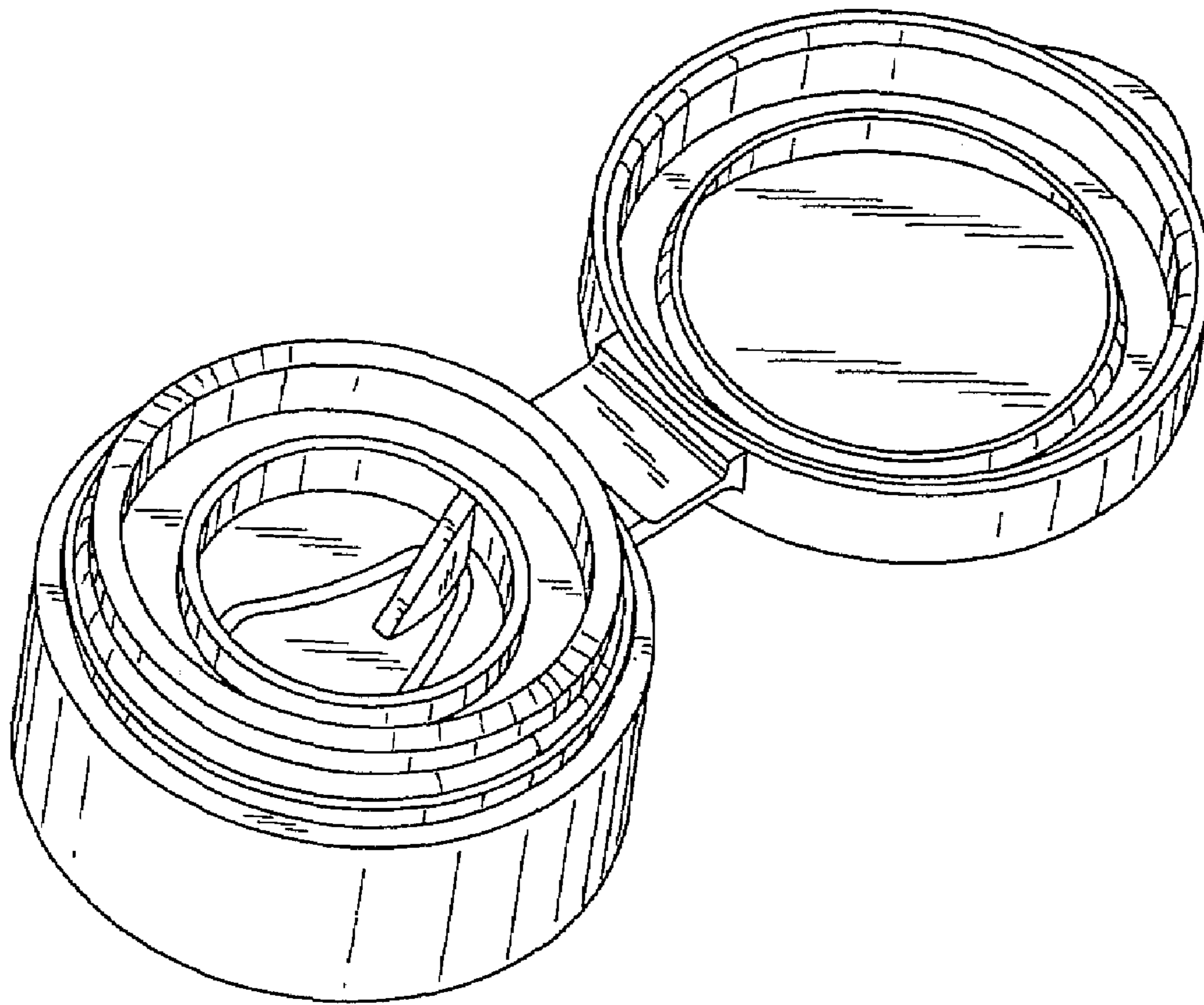


FIG. 7

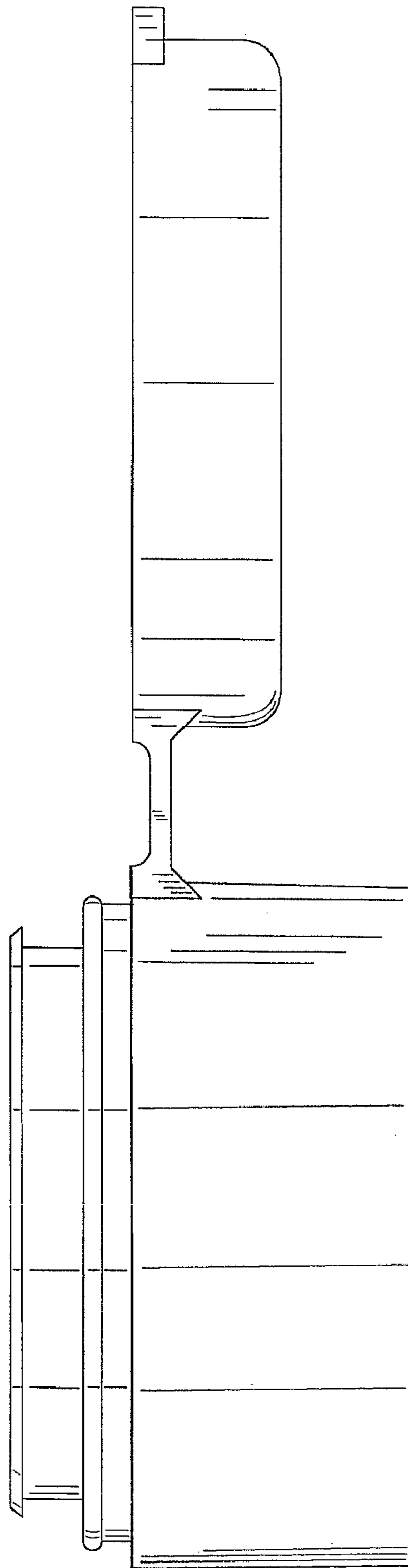


FIG. 8

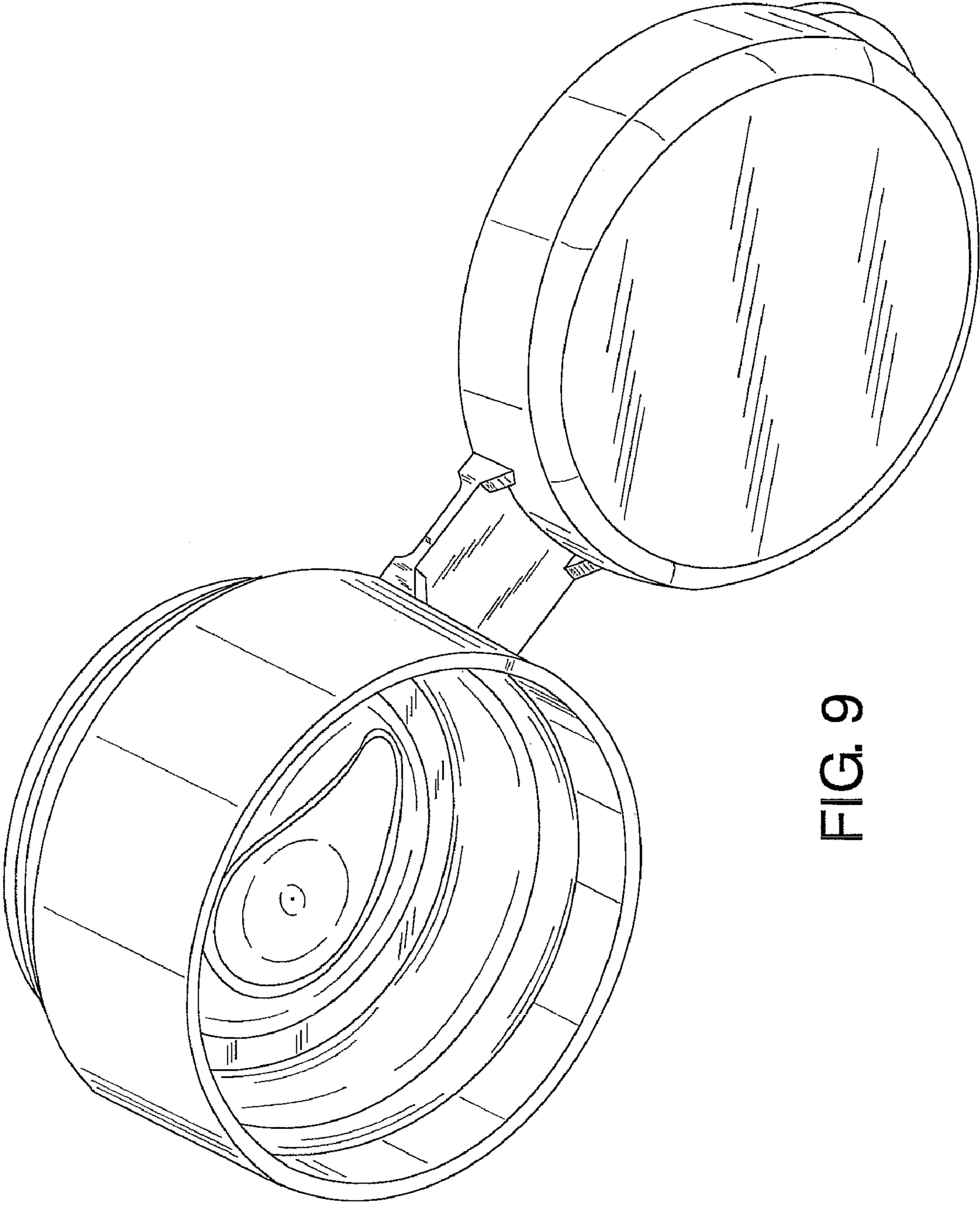


FIG. 9