



US00D606860S

(12) **United States Design Patent**
Hill

(10) **Patent No.:** **US D606,860 S**

(45) **Date of Patent:** **** Dec. 29, 2009**

(54) **CLASP FOR SURROUNDING AND SQUEEZING A FLEXIBLE TUBE**

D570,171 S * 6/2008 Benktzon et al. D8/51
D582,240 S * 12/2008 Benktzon et al. D8/98

(76) Inventor: **Barbara M. Hill**, P.O. Box 1459,
Huntington Beach, CA (US) 92647

* cited by examiner

Primary Examiner—Susan Bennett Hattan

(74) *Attorney, Agent, or Firm*—Morland C. Fischer

(**) Term: **14 Years**

(21) Appl. No.: **29/314,531**

(57) **CLAIM**

(22) Filed: **Apr. 9, 2009**

The ornamental design for a clasp for surrounding and squeezing a flexible tube, as shown and described.

(51) **LOC (9) Cl.** **09-07**

(52) **U.S. Cl.** **D9/434**

(58) **Field of Classification Search** D9/732,
D9/624, 455, 443, 434, 415; D8/394; D7/619.1,
D7/536, 396.2, 392.1, 387, 319, 317; D20/28,
D20/18; D19/20; 40/324, 310; 294/312.2,
294/27.1; 222/1; 220/759, 742, 737, 710.5
See application file for complete search history.

DESCRIPTION

FIG. 1 is a perspective view showing the front, top and left side of my new design for a clasp for surrounding and squeezing a flexible tube, shown in a closed and locked position;

FIG. 2 is a perspective view thereof in an open and unlocked position;

FIG. 3 is a perspective view showing the rear, bottom and left side thereof in the open and unlocked position;

FIG. 4 is a perspective view showing the front, top and left side thereof in the closed and locked position, the broken lines illustrating a flexible tube depicting environmental subject matter and forming no part of my design;

FIG. 5 is a bottom plan view thereof;

FIG. 6 is a top plan view thereof;

FIG. 7 is a front elevational view thereof;

FIG. 8 is a rear elevational view thereof;

FIG. 9 is a left side elevational view thereof; and,

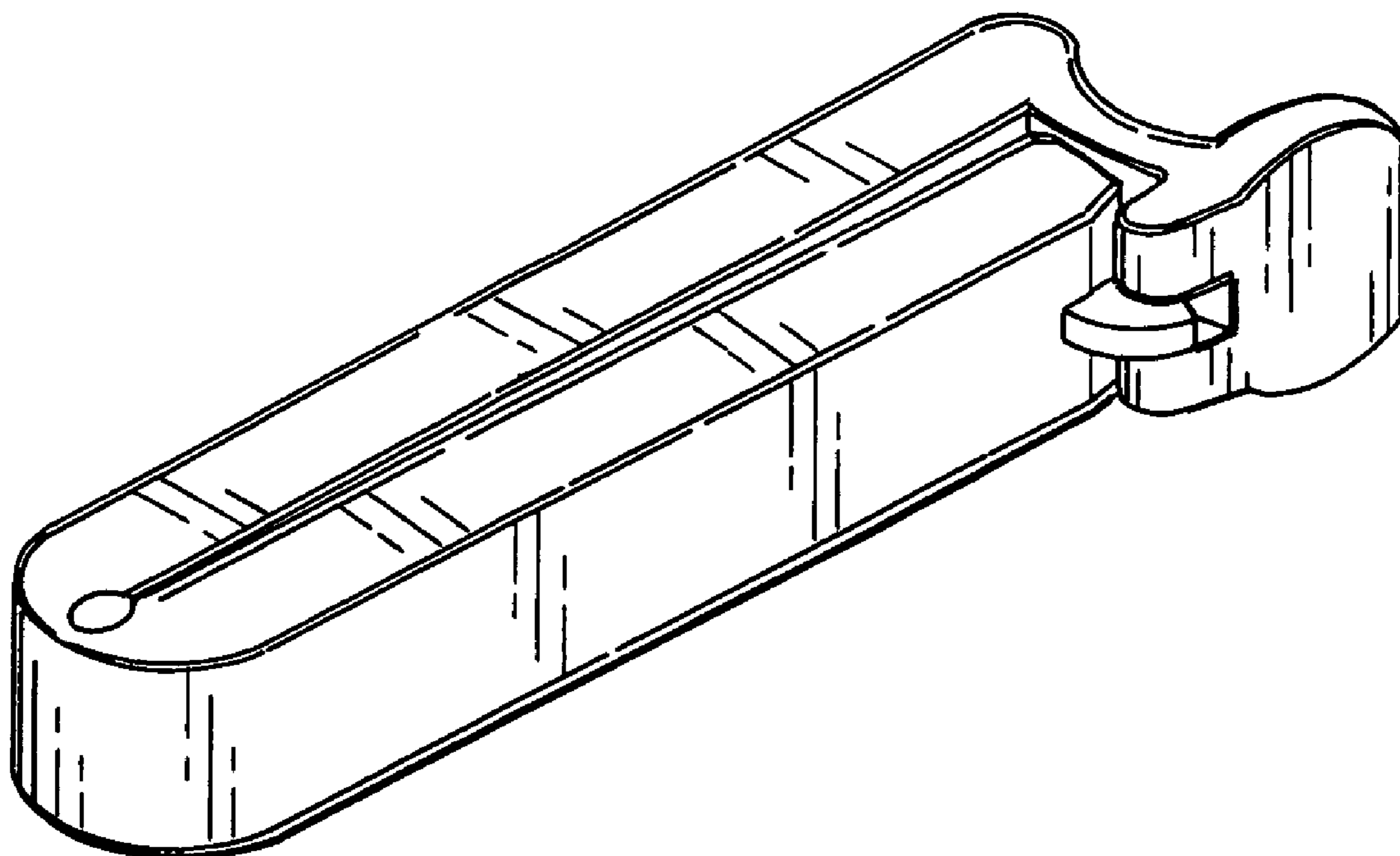
FIG. 10 is a right side elevational view thereof.

(56) **References Cited**

U.S. PATENT DOCUMENTS

2,064,849	A	*	12/1936	Pattillo	40/310
3,551,965	A	*	1/1971	Gordon	24/543
D299,008	S	*	12/1988	Naslund	D9/443
D301,548	S	*	6/1989	Weaver	D9/434
4,887,335	A	*	12/1989	Folkmar	24/30.5 R
D310,020	S	*	8/1990	Fujioka	D8/396
D317,571	S		6/1991	Henriksson		
D350,696	S	*	9/1994	Naslund	D9/443
5,428,871	A	*	7/1995	Iosif	24/30.5 R
5,713,108	A	*	2/1998	Solomon et al.	24/30.5 R
D439,831	S	*	4/2001	Henriksson	D8/394
D482,968	S	*	12/2003	Henriksson	D9/435
D484,035	S	*	12/2003	Smith-Kielland et al.	D8/394

1 Claim, 3 Drawing Sheets



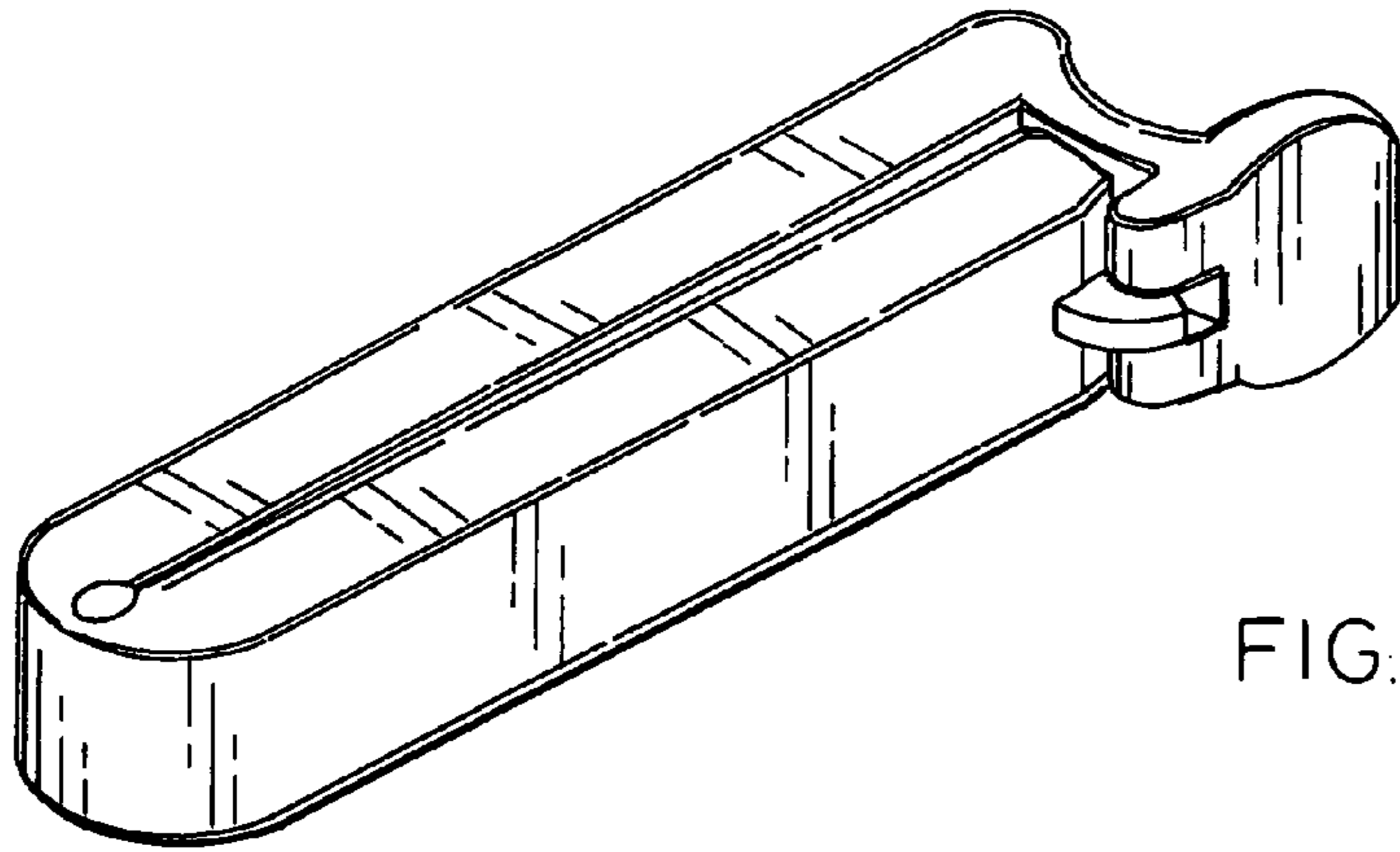


FIG. 1

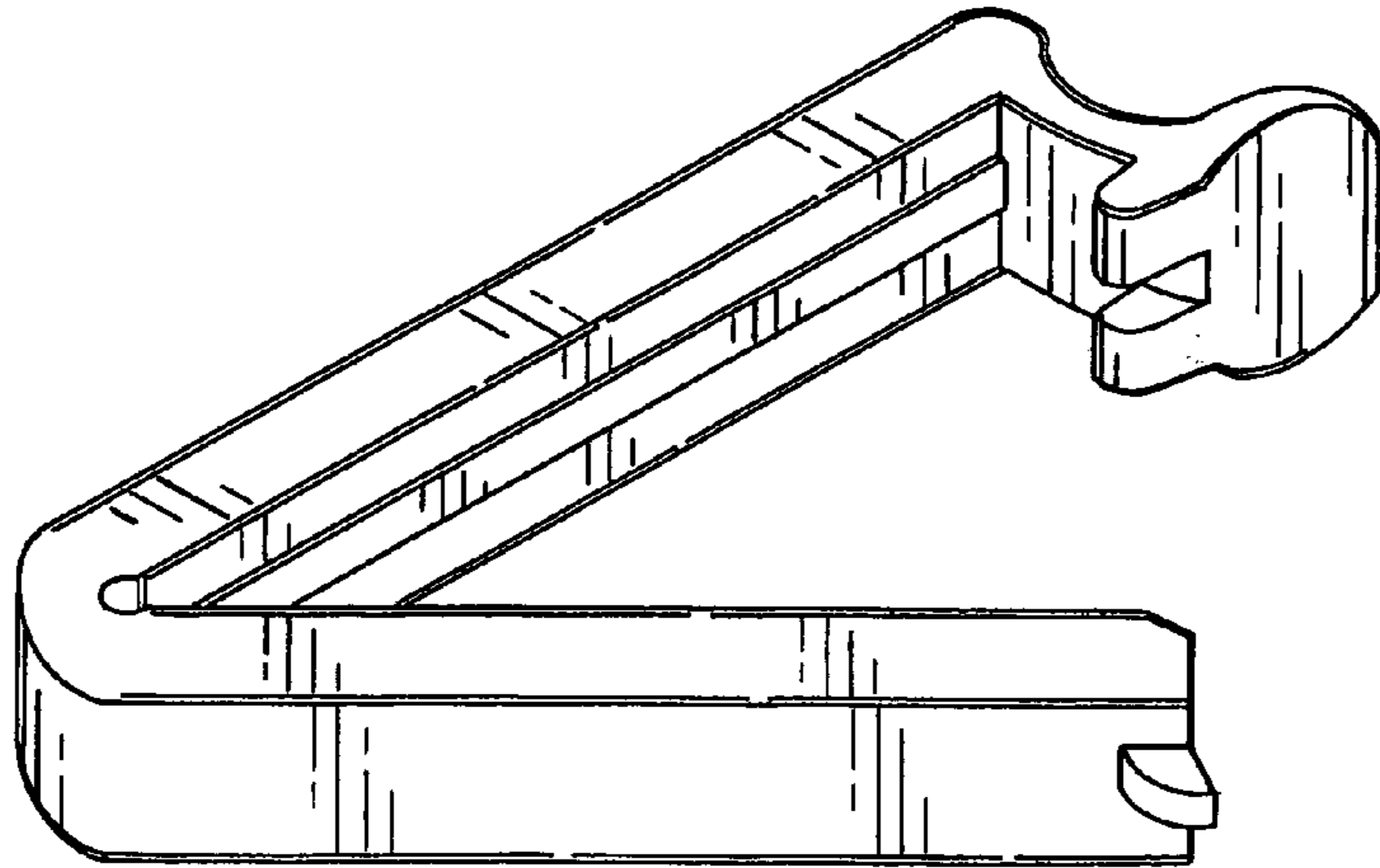


FIG. 2

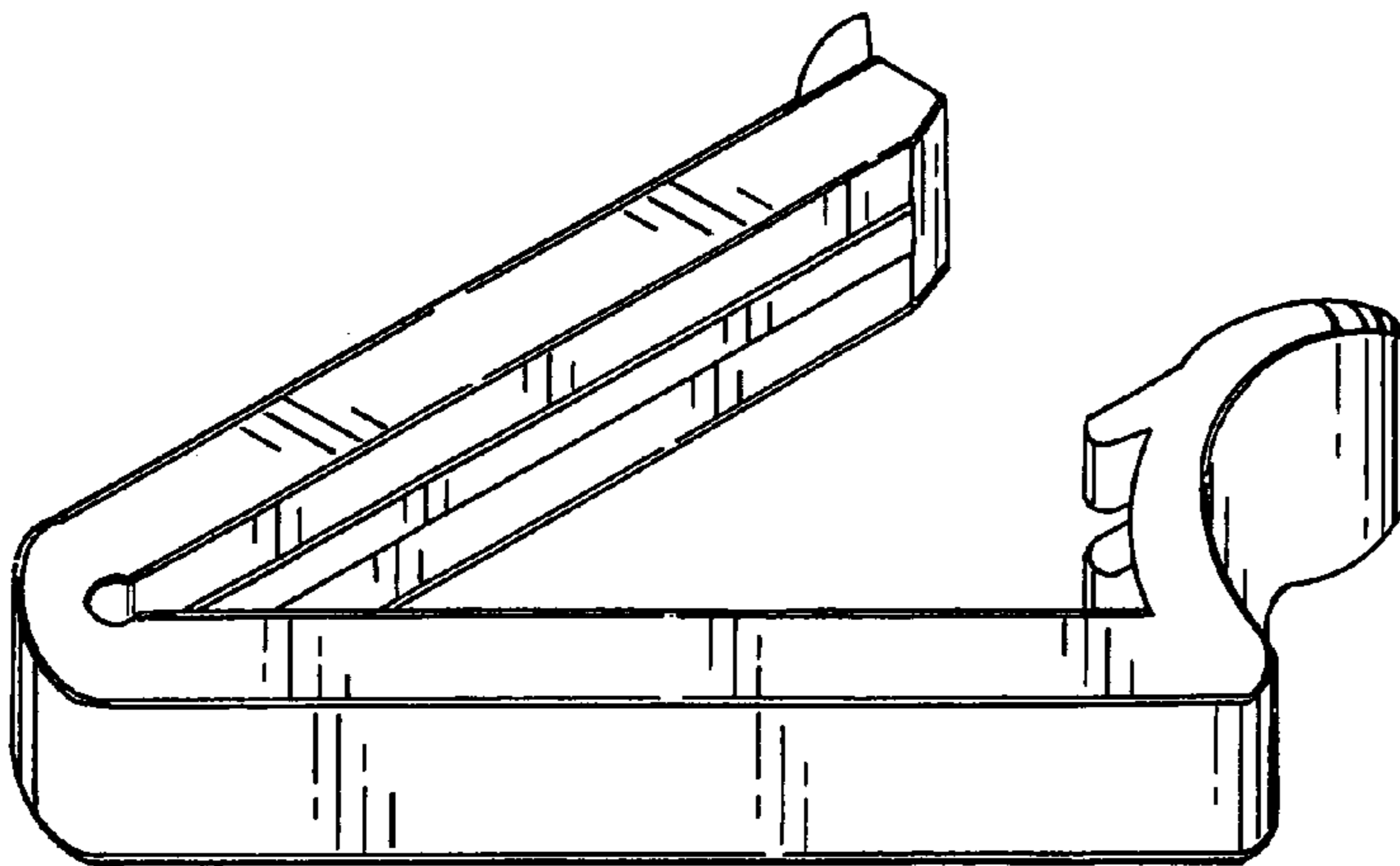


FIG. 3

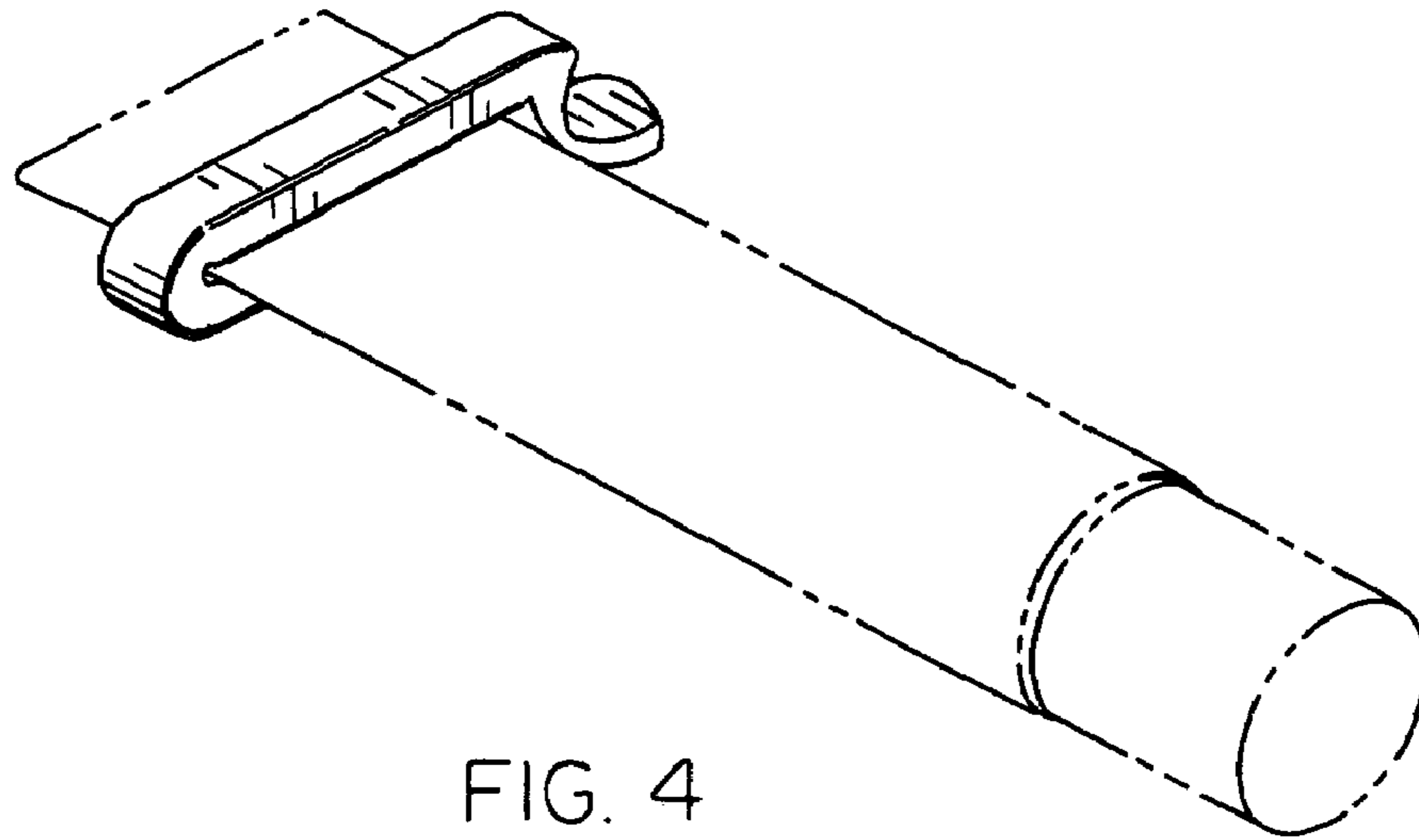


FIG. 4

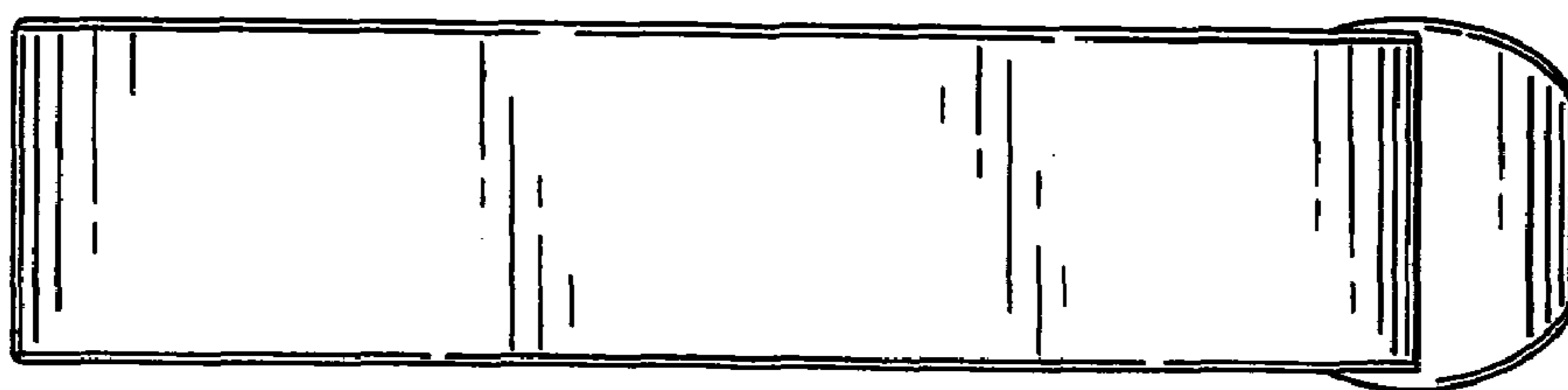


FIG. 5

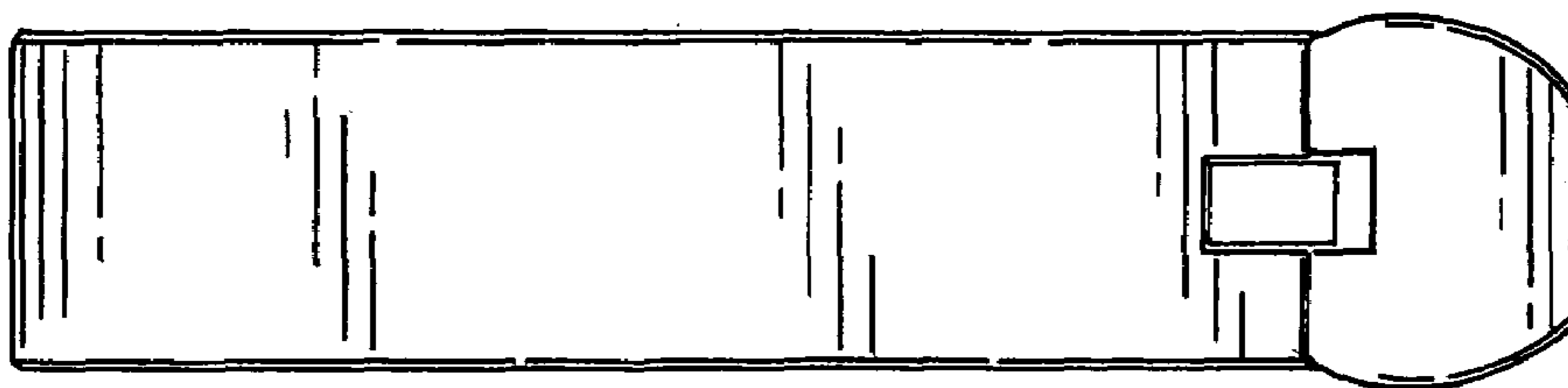


FIG. 6

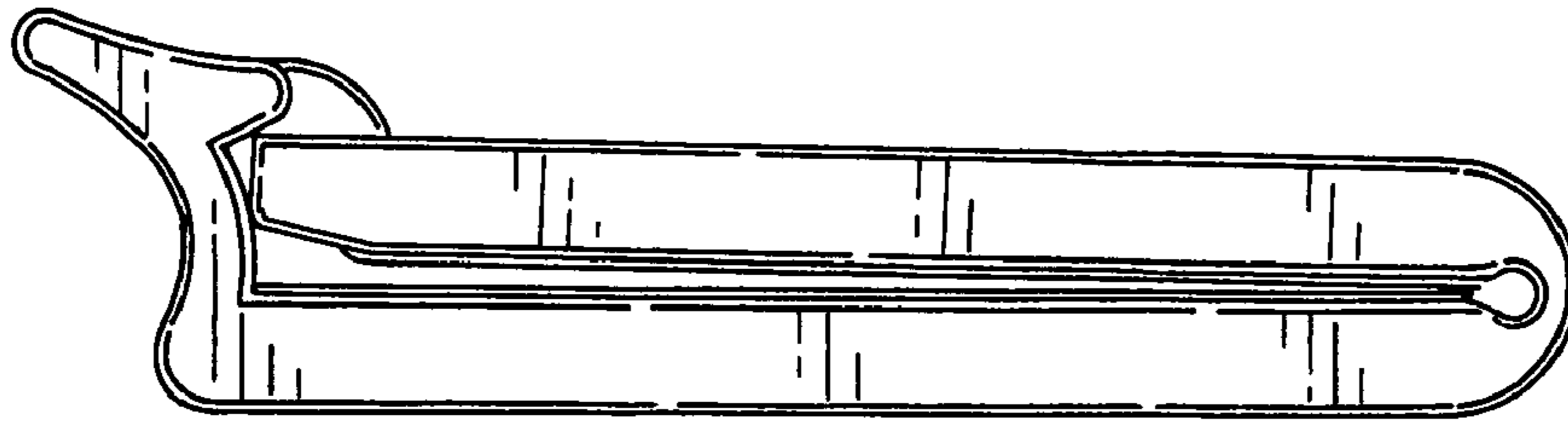


FIG. 7

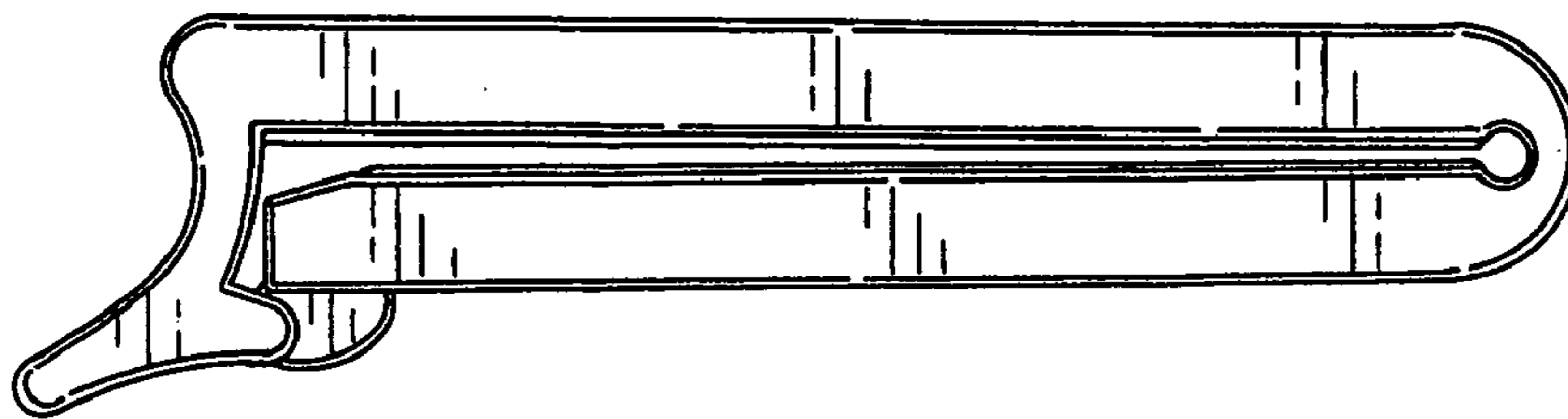


FIG. 8

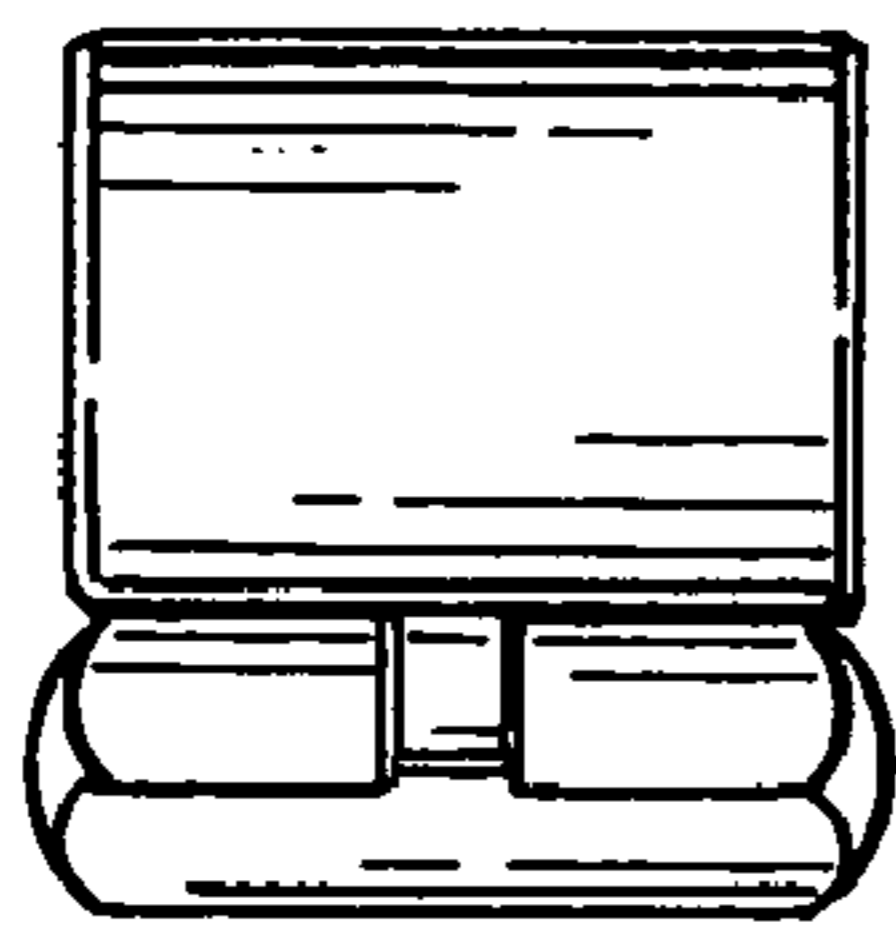


FIG. 9



FIG. 10