



US00D606853S

(12) **United States Design Patent**
Shapiro et al.

(10) **Patent No.:** **US D606,853 S**

(45) **Date of Patent:** **** Dec. 29, 2009**

(54) **COVER FOR LUG NUT OR LUG BOLT**

D577,795 S * 9/2008 Smith et al. D23/262

(76) Inventors: **Leslie Susan Shapiro**, 13210 Fuji Way,
#F, Marina del Rey, CA (US) 90292;
Philip Sperling, 13210 Fuji Way, #F,
Marina del Rey, CA (US) 90292

(Continued)

Primary Examiner—Robert M. Spear

Assistant Examiner—Karen Acker

(74) *Attorney, Agent, or Firm*—Christina S. Loza; Loza & Loza, LLP

(**) **Term:** **14 Years**

(21) **Appl. No.:** **29/306,543**

(22) **Filed:** **Apr. 10, 2008**

Related U.S. Application Data

(63) Continuation-in-part of application No. 29/234,892,
filed on Jul. 25, 2005, now abandoned.

(51) **LOC (9) Cl.** **08-08**

(52) **U.S. Cl.** **D8/397**

(58) **Field of Classification Search** D8/382,
D8/387, 397–399; 70/229; 301/35.623,
301/111.01; 411/81, 88, 90–93, 96–98, 103,
411/106–108, 114, 132–165, 172–189, 197,
411/204, 248, 337, 338, 368–369, 371.2,
411/371.5, 418, 427, 429–432, 436, 437,
411/526, 531–538, 542, 544

See application file for complete search history.

(56) **References Cited**

U.S. PATENT DOCUMENTS

1,829,972	A *	11/1931	Wiley	470/24
2,727,551	A *	12/1955	Rees	411/303
3,221,790	A *	12/1965	Poupitch	411/301
4,126,170	A *	11/1978	DeHaitre	411/303
5,380,070	A *	1/1995	FitzGerald	301/37.374
D416,787	S *	11/1999	Mensour et al.	D8/387
6,053,681	A *	4/2000	Mattershead	411/195
D440,149	S *	4/2001	Miyata	D8/397
6,386,808	B2 *	5/2002	Fujii et al.	411/277
6,595,597	B2 *	7/2003	Marczynski et al.	301/37.374
6,843,631	B2 *	1/2005	Winker	411/533
D519,361	S *	4/2006	Olander	D8/397
D557,128	S *	12/2007	Sawdon et al.	D8/382
7,374,382	B2 *	5/2008	Bentrim	411/180

(57) **CLAIM**

The ornamental design for a cover for lug nut or lug bolt, as shown and described.

DESCRIPTION

FIG. 1 is a top perspective view of a cover for lug nut or lug bolt of the present invention;

FIG. 2 is an exploded top perspective view of the cover for lug nut or lug bolt of FIG. 1 showing the order of assembly of the design;

FIG. 3 is front elevational view of the cover for lug nut or lug bolt of FIG. 1, the back elevation view being a mirror image thereof;

FIG. 4 is a right elevational view of the cover for lug nut or lug bolt of FIG. 1, the left elevation view being a mirror image thereof;

FIG. 5 is a top plan view of the cover for lug nut or lug bolt of FIG. 1;

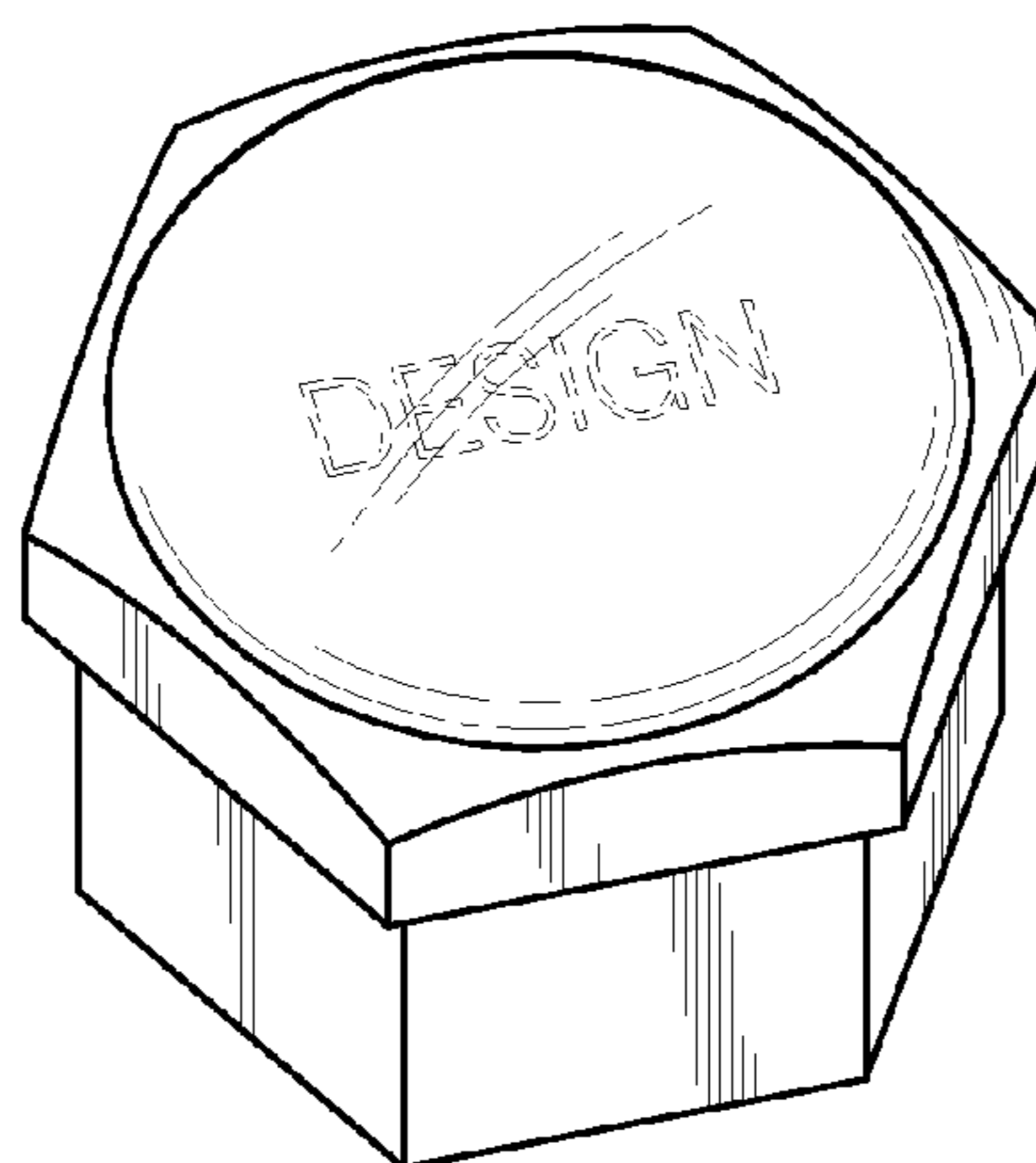
FIG. 6 is a top plan view of the cover for lug nut or lug bolt of FIG. 1, shown without the frontal lens for convenience of illustration;

FIG. 7 is a bottom plan view of the cover for lug nut or lug bolt of FIG. 1; and,

FIG. 8 is a bottom perspective view of the cover for lug nut or lug bolt of FIG. 1.

The broken line showing of the word DESIGN on the lug nut or lug bolt cover is for illustrative purposes only and forms no part of the claimed design.

1 Claim, 4 Drawing Sheets



US D606,853 S

Page 2

U.S. PATENT DOCUMENTS

7,568,869	B2 *	8/2009	Wang	411/171	2008/0075558	A1 *	3/2008	Albach et al.	411/427
2006/0147294	A1 *	7/2006	Rode	411/246	2008/0145185	A1 *	6/2008	Hocking et al.	411/436
2007/0264101	A1 *	11/2007	Winker	411/432	2008/0193254	A1 *	8/2008	Selle et al.	411/188
2008/0022505	A1 *	1/2008	Vogel et al.	29/525.02	2009/0162135	A1 *	6/2009	Frenken	403/19

* cited by examiner

FIG. 1

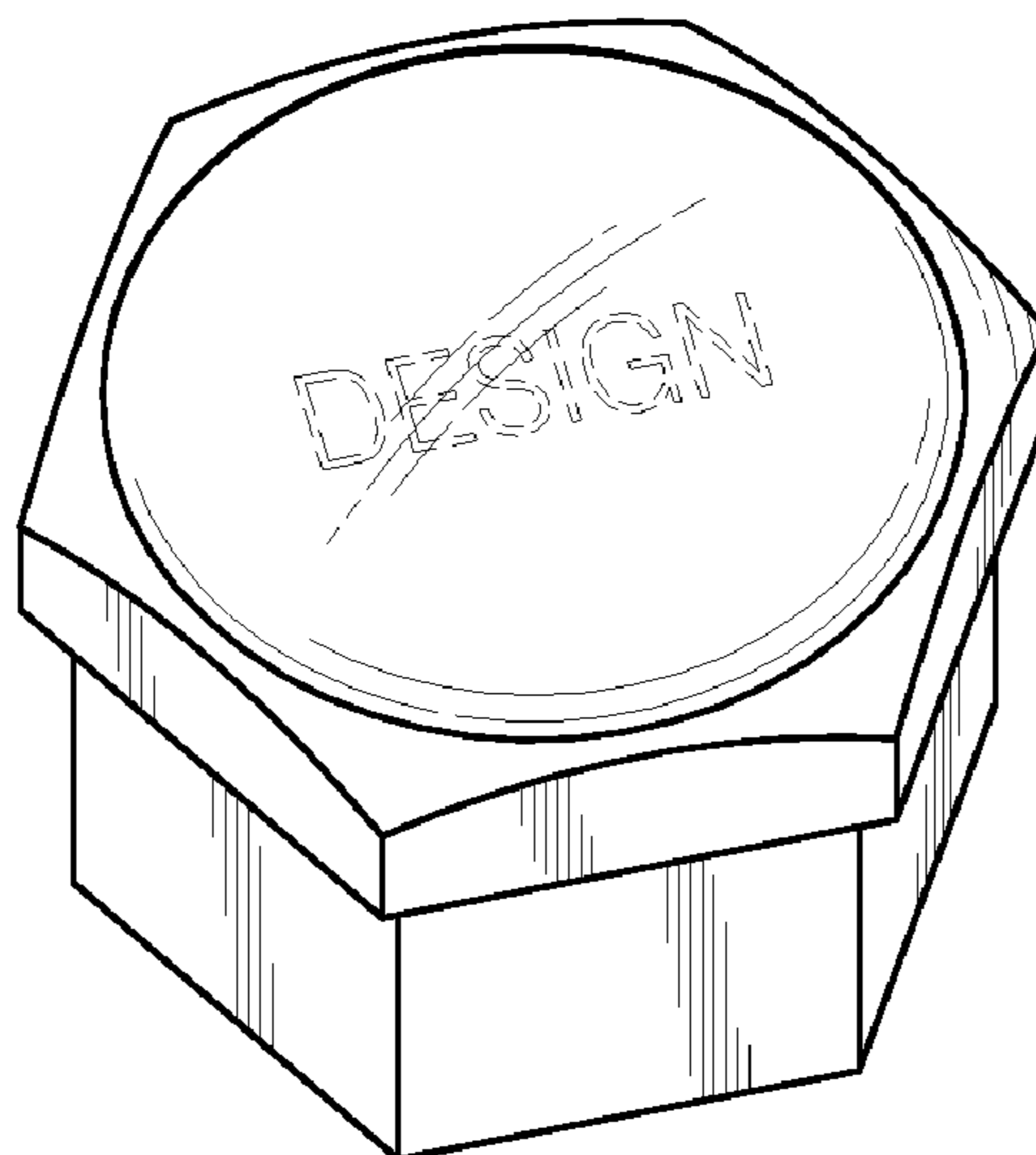
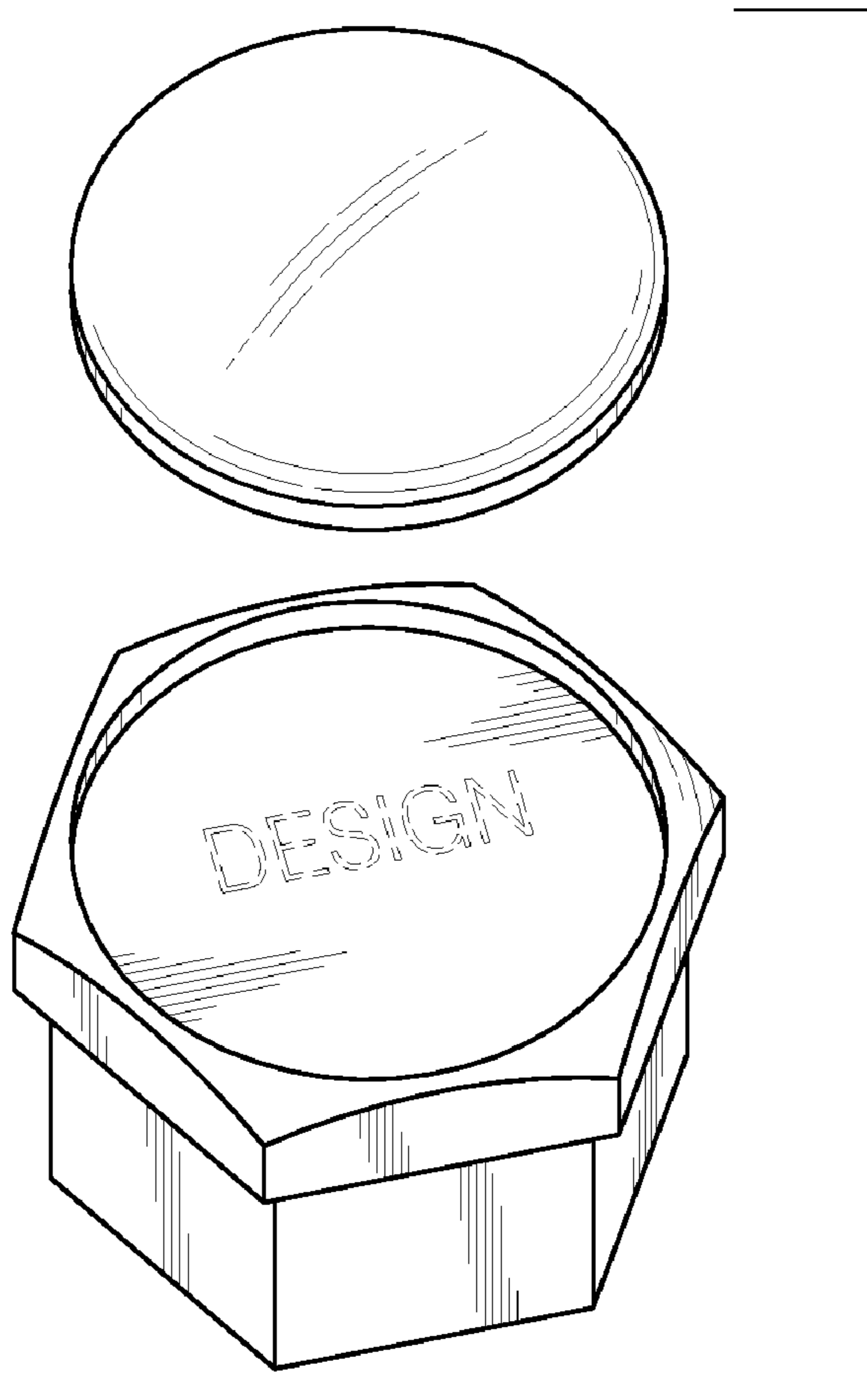


FIG. 2



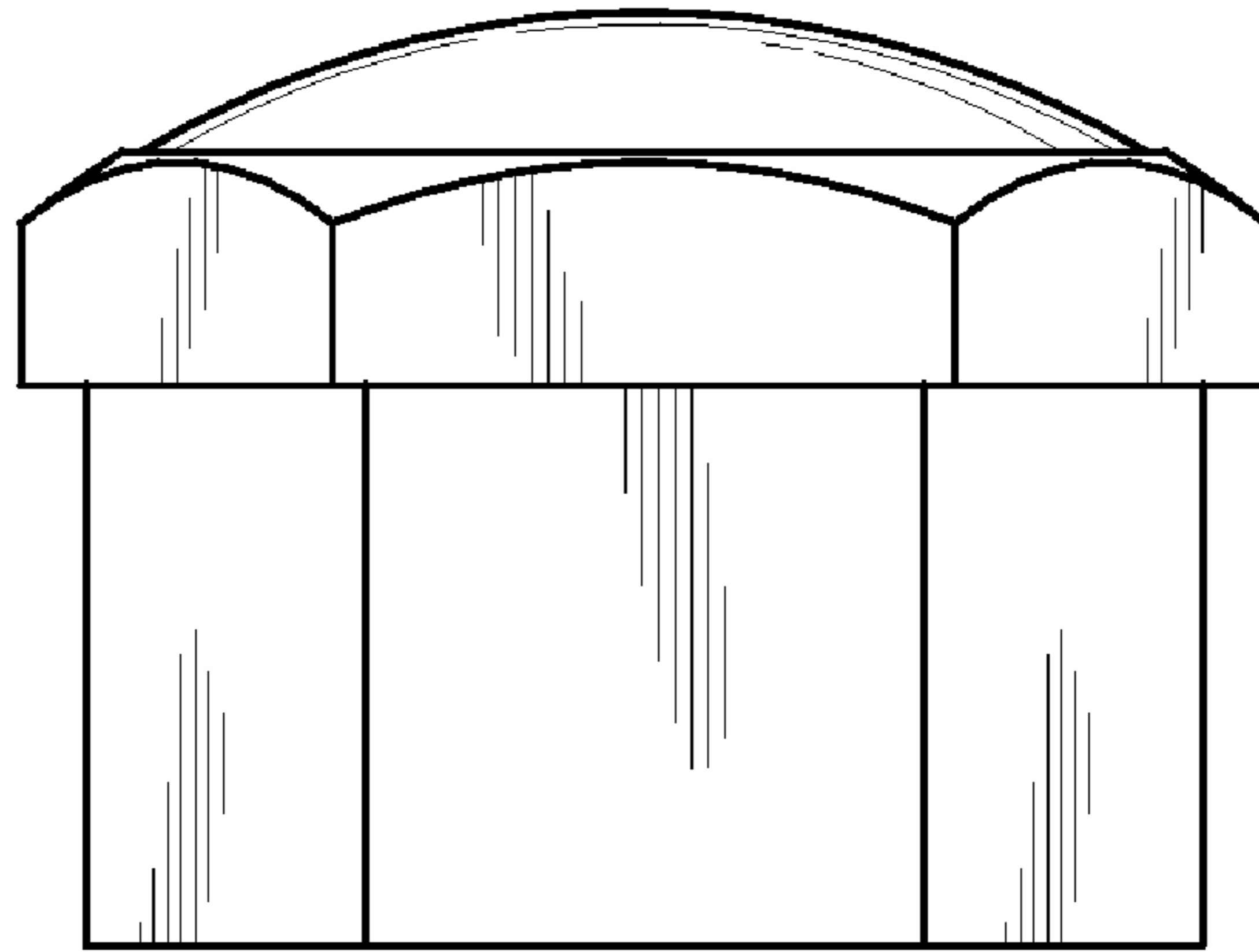


FIG. 3

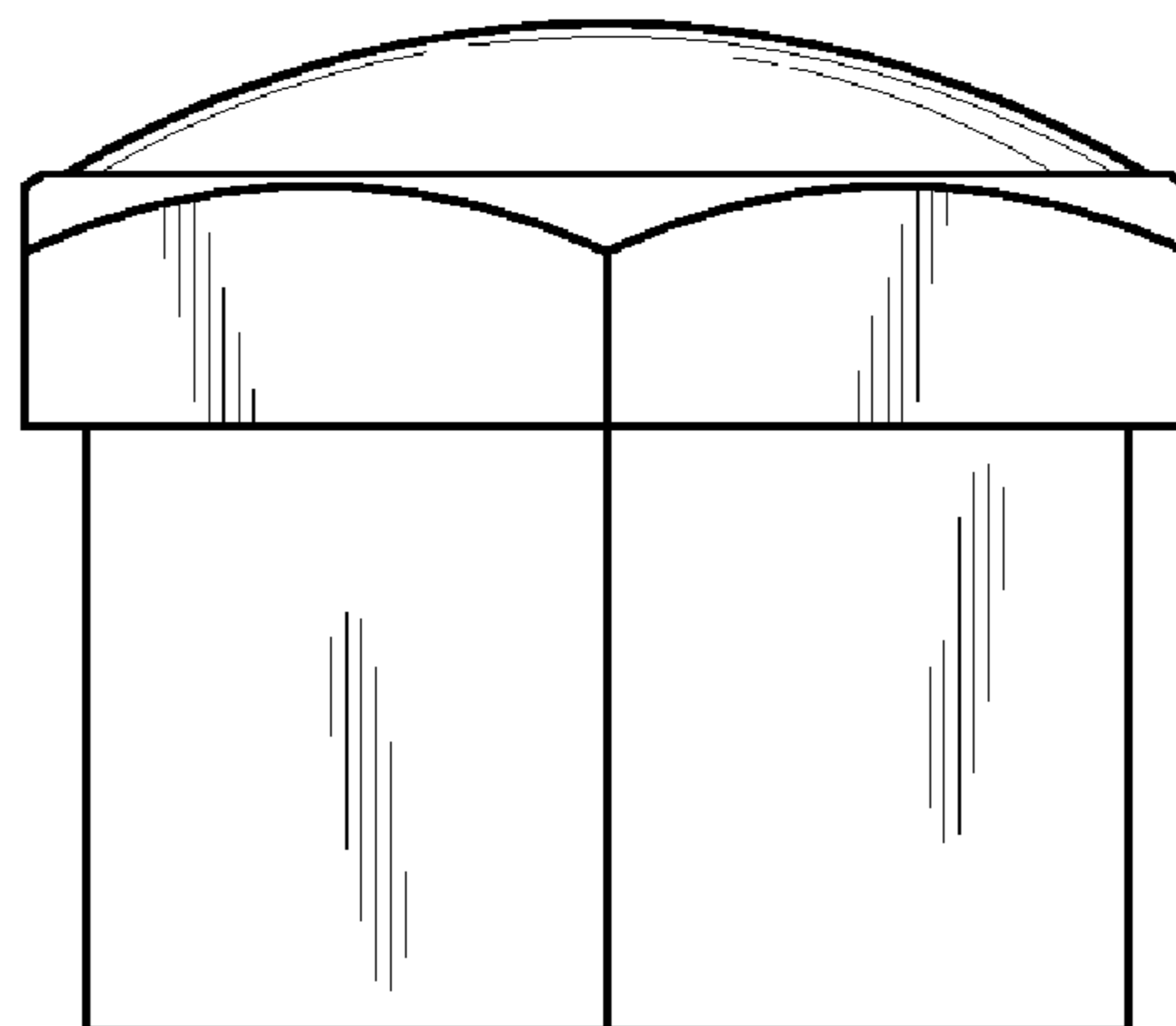


FIG. 4

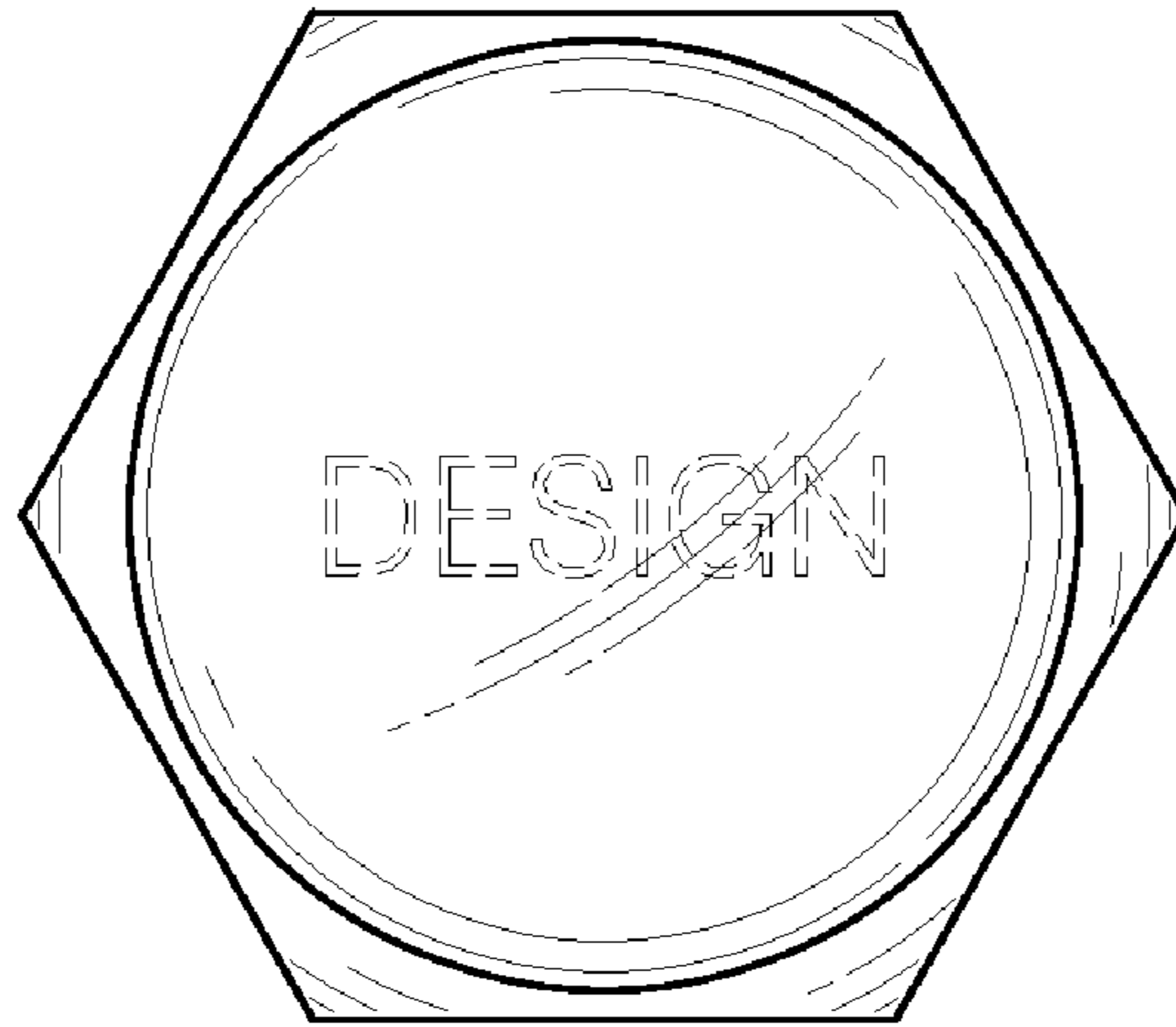


FIG. 5

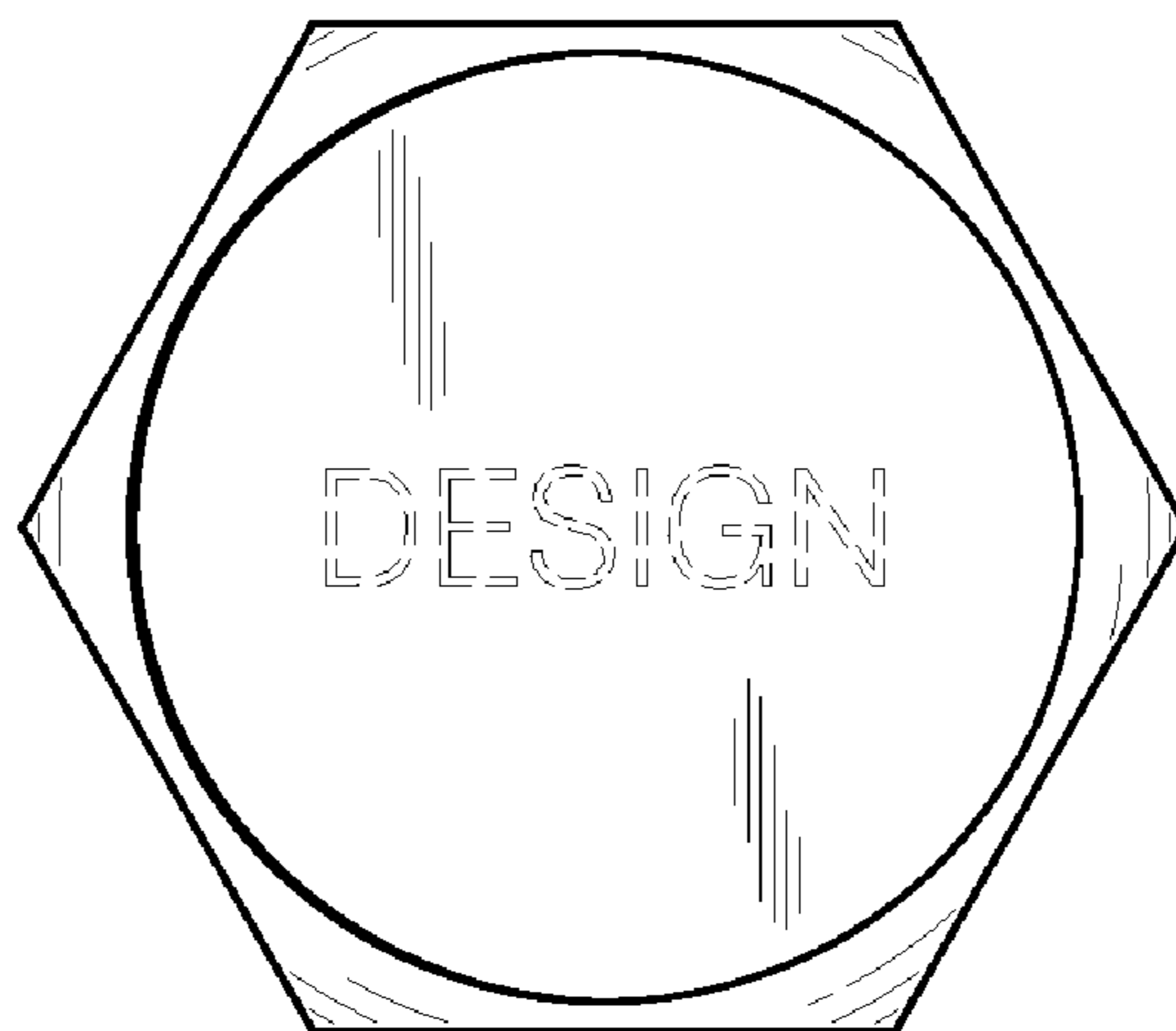


FIG. 6

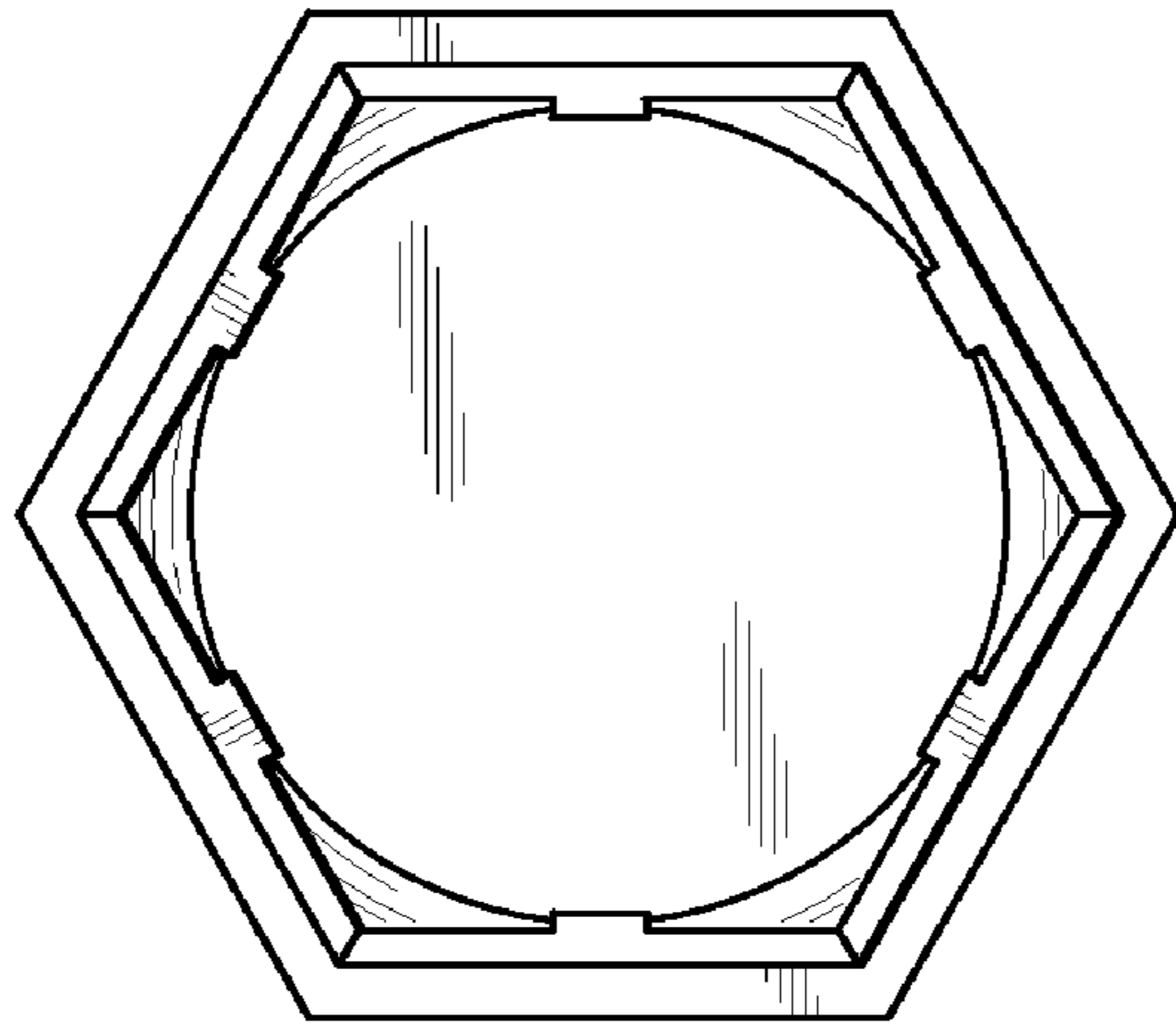


FIG. 7

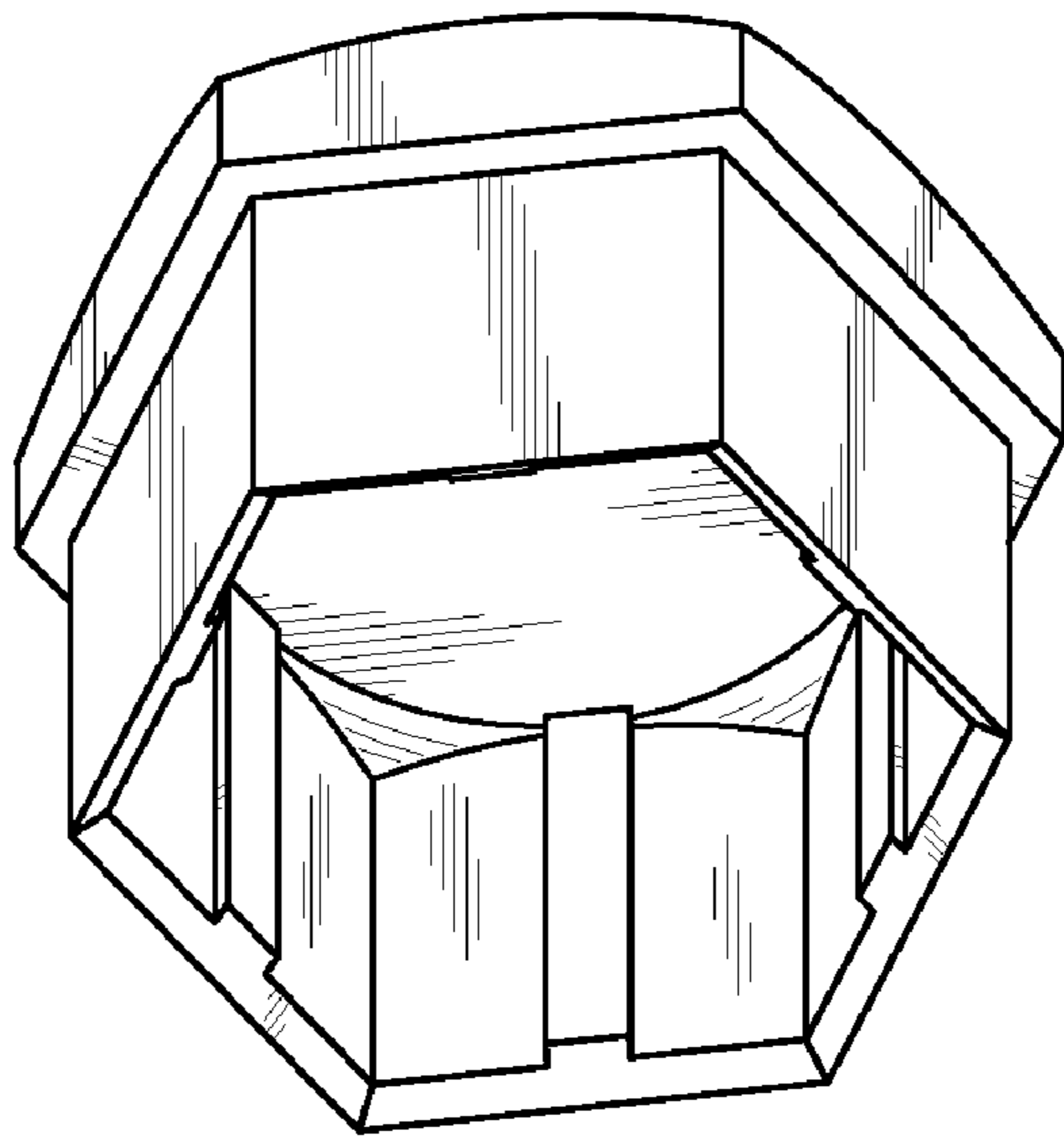


FIG. 8