



US00D606852S

(12) **United States Design Patent**
Boyd

(10) **Patent No.:** **US D606,852 S**

(45) **Date of Patent:** **** Dec. 29, 2009**

(54) **CEILING TILE EDGE SUPPORT CLIP**

(75) Inventor: **Alan L. Boyd**, Collegetown, PA (US)

(73) Assignee: **CertainTeed Ceiling Corp.**, Valley Forge, PA (US)

(**) Term: **14 Years**

(21) Appl. No.: **29/339,881**

(22) Filed: **Jul. 9, 2009**

6,230,463	B1	5/2001	Bodine	
6,260,325	B1	7/2001	Wendt et al.	
6,318,042	B1	11/2001	Bloom et al.	
6,378,828	B1 *	4/2002	Valiulis et al.	248/231.81
6,389,771	B1	5/2002	Moller	
6,510,592	B1 *	1/2003	Hamilton	24/170
D478,501	S *	8/2003	Yoko	D8/395
6,880,306	B2	4/2005	Burken et al.	
7,004,436	B2 *	2/2006	Knapp	248/220.22
D522,351	S *	6/2006	Taylor et al.	D8/394
7,062,886	B2	6/2006	Auriemma	
D553,969	S *	10/2007	Allsopp	D8/394
D586,718	S *	2/2009	Morita et al.	D12/223
2008/0256879	A1	10/2008	Babineau	

Related U.S. Application Data

(62) Division of application No. 29/324,549, filed on Sep. 15, 2008.

(51) **LOC (9) Cl.** **08-08**

(52) **U.S. Cl.** **D8/395**

(58) **Field of Classification Search** D8/356,
D8/371, 394-396; 24/570; 248/74.2, 215,
248/227.1, 49, 300, 301, 316.7, 51, 489;
D19/65, 56; D25/58; 52/489.1, 489.2, 715,
52/DIG. 6, 288.1, 716.6, 718.04, 506.07
See application file for complete search history.

(56) **References Cited**

U.S. PATENT DOCUMENTS

1,974,819	A *	9/1934	Koerner	52/765
D116,438	S *	8/1939	Wright	D8/395
2,831,222	A *	4/1958	Anderson	52/489.1
3,187,389	A *	6/1965	Anderson	52/489.1
3,298,646	A *	1/1967	Van Buren, Jr.	248/72
3,537,698	A *	11/1970	Callanan	269/98
3,784,144	A *	1/1974	Ollinger et al.	248/317
4,281,494	A *	8/1981	Weinar	52/489.2
4,314,433	A *	2/1982	Hulcombe	52/521
D286,976	S *	12/1986	Steck et al.	D8/394
D296,186	S *	6/1988	Korn	D8/346
5,588,166	A *	12/1996	Burnett	5/503.1
D400,718	S *	11/1998	Bortolus	D6/328
5,893,249	A	4/1999	Peterson et al.	
6,108,994	A	8/2000	Bodine	
D433,563	S *	11/2000	Capanna et al.	D3/215

FOREIGN PATENT DOCUMENTS

EP	0 344 164	B1	12/1994
EP	0 555 193	B1	12/1996
EP	1 154 089	A1	11/2001
EP	1 154 088	A3	12/2001

(Continued)

OTHER PUBLICATIONS

Ecophon, Focus Frost Ds, undated, pp. 1-6.

(Continued)

Primary Examiner—T. Chase Nelson
Assistant Examiner—John Windmuller

(74) *Attorney, Agent, or Firm*—Duane Morris, LLP

(57) **CLAIM**

The ornamental design for a ceiling tile edge support clip, as shown and described.

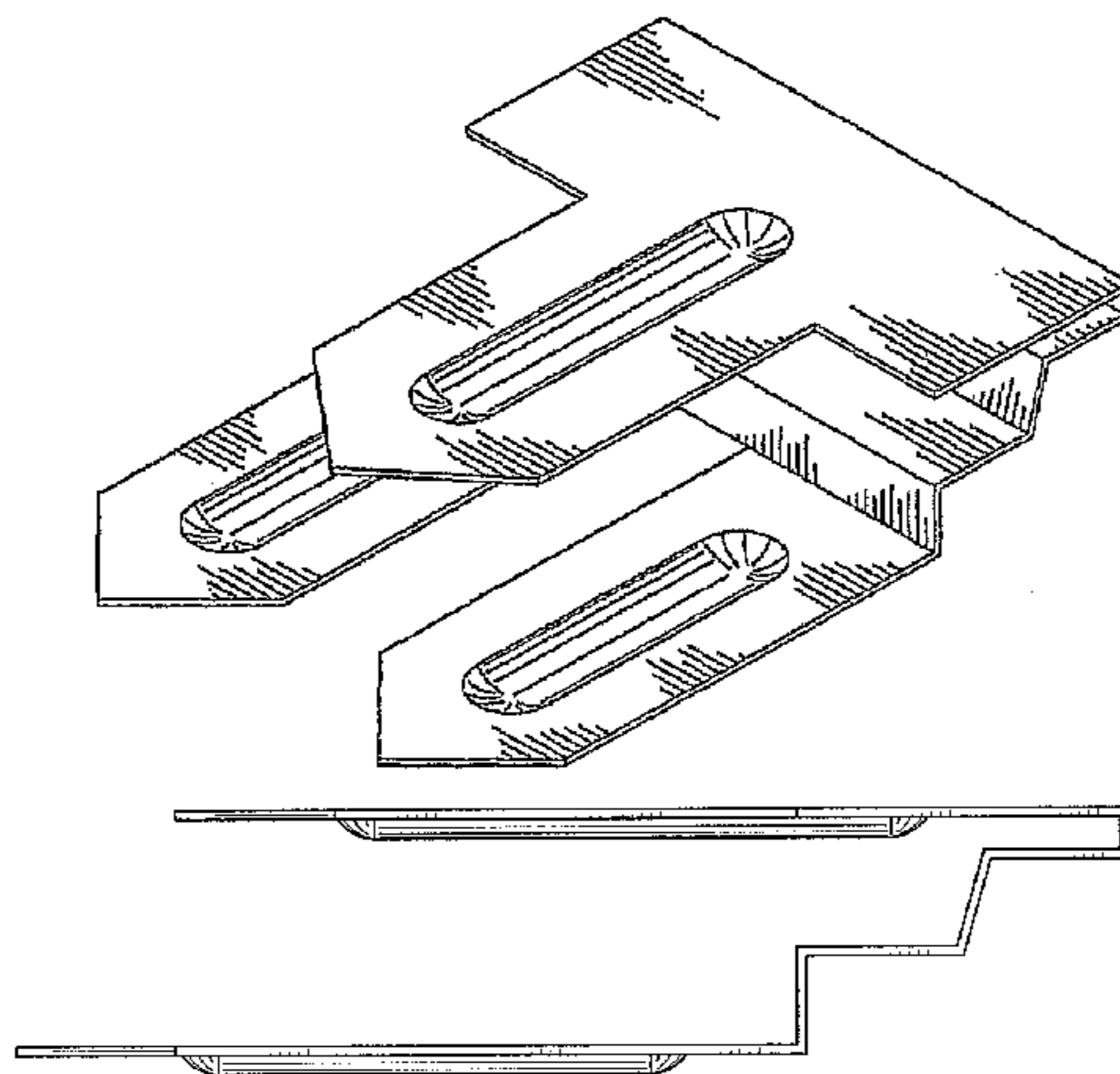
DESCRIPTION

FIG. 1 is a front top perspective view of a ceiling tile edge support clip showing my new design;

FIG. 2 is a rear bottom perspective view of the ceiling tile edge support clip of FIG. 1; and,

FIG. 3 is a right side elevation view of the ceiling tile edge support clip of FIG. 1.

1 Claim, 2 Drawing Sheets



US D606,852 S

Page 2

FOREIGN PATENT DOCUMENTS

EP 1 154 088 B1 7/2005
EP 1 154 089 B1 12/2007
WO WO 01 27403 A1 4/2001
WO WO 02 35030 A1 2/2002
WO WO 2005 083192 A1 9/2005

OTHER PUBLICATIONS

Ecophon, Focus Elite, the floating ceiling, Oct. 1992, pp. 1-6.
Amendment in U.S. Appl. No. 09/141,407, Feb. 1, 2000, pp. 1-17.

Amendment in U.S. Appl. No. 09/571,785, Nov. 30, 2000, pp. 1-9.
Preliminary Amendment in U.S. Appl. No. 09/571,785, Jun. 12, 2000, pp. 1-4.
PTO Office Action in U.S. Appl. No. 09/571,785, Aug. 30, 2000, pp. 1-5.
PTO Interview Summary, U.S. Appl. No. 09/141,407, Jan. 10, 2000, 1 page.
Interlocutory decision dated Dec. 12, 2006 in 99-115-715.7, Armstrong World Industries, Inc. 11 pages.

* cited by examiner

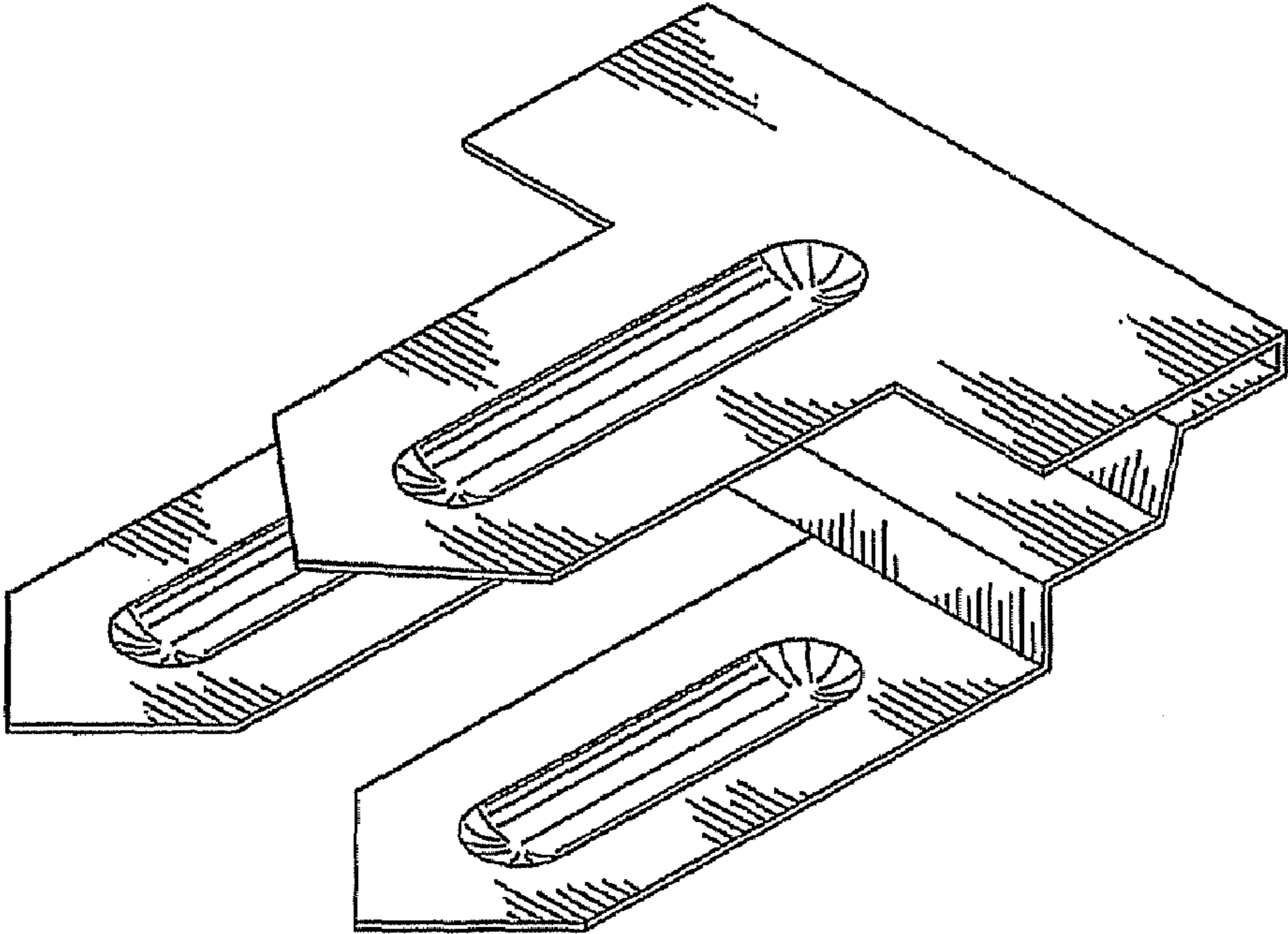


FIG. 1

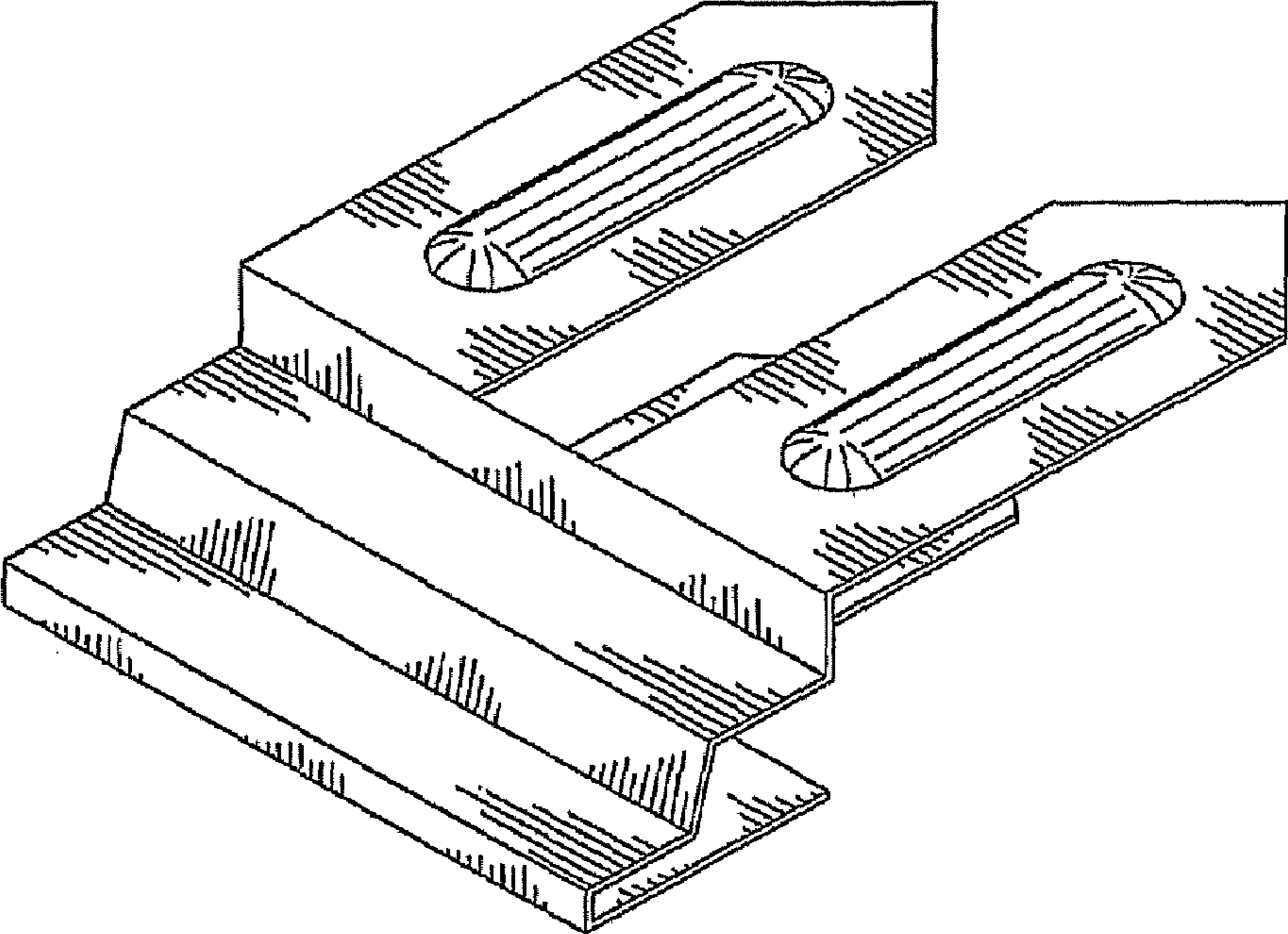


FIG. 2

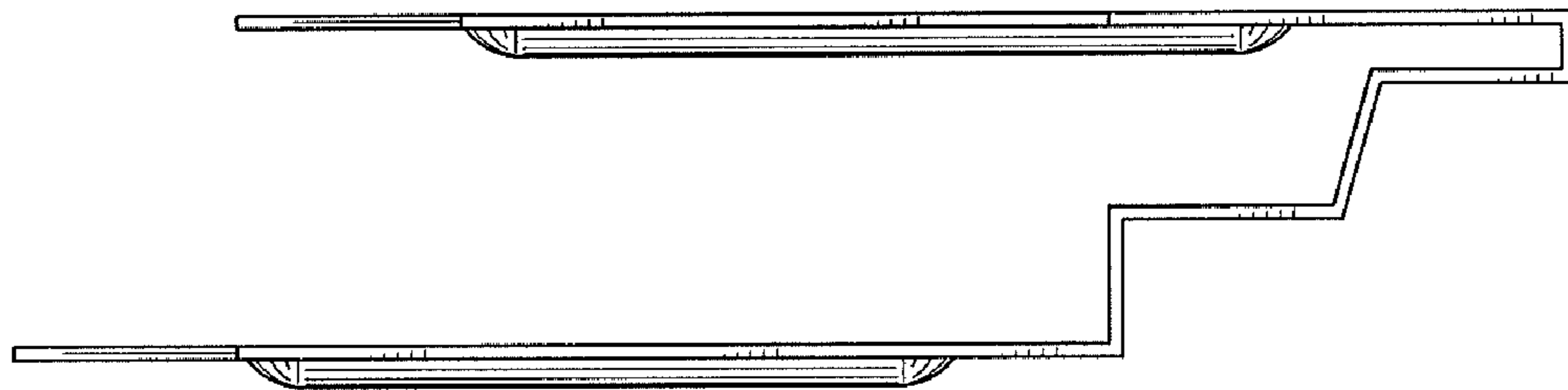


FIG. 3