

US00D606851S

(12) **United States Design Patent**
Boyd

(10) **Patent No.:** **US D606,851 S**
(45) **Date of Patent:** **** Dec. 29, 2009**

(54) **MODIFIED CEILING TILE EDGE SUPPORT CLIP**

(75) Inventor: **Alan L. Boyd**, Collegeville, PA (US)

(73) Assignee: **CertainTeed Ceiling Corp.**, Valley Forge, PA (US)

(**) Term: **14 Years**

(21) Appl. No.: **29/339,880**

(22) Filed: **Jul. 9, 2009**

Related U.S. Application Data

(62) Division of application No. 29/324,552, filed on Sep. 15, 2008.

(51) **LOC (9) Cl.** **08-08**

(52) **U.S. Cl.** **D8/395**

(58) **Field of Classification Search** D8/356,
D8/371, 394-396; 24/570; 248/74.2, 215,
248/227.1, 49, 300, 301, 316.7, 51, 489;
D19/65, 56; D25/58; 52/489.1, 489.2, 715,
52/DIG. 6, 288.1, 716.6, 718.04, 506.07
See application file for complete search history.

(56) **References Cited**

U.S. PATENT DOCUMENTS

- 1,974,819 A * 9/1934 Koerner 52/765
- D116,438 S * 8/1939 Wright D8/395
- 2,831,222 A * 4/1958 Anderson 52/489.1
- 3,187,389 A * 6/1965 Anderson 52/489.1
- 3,298,646 A * 1/1967 Buren, Jr. 248/72
- 3,537,698 A * 11/1970 Callanan 269/98
- 3,784,144 A * 1/1974 Ollinger et al. 248/317
- 4,281,494 A * 8/1981 Weinar 52/489.2
- 4,314,433 A * 2/1982 Hulcombe 52/521
- D286,976 S * 12/1986 Steck et al. D8/394
- D296,186 S * 6/1988 Korn D8/346
- 5,588,166 A * 12/1996 Burnett 5/503.1
- D400,718 S * 11/1998 Bortolus D6/328
- 5,893,249 A 4/1999 Peterson et al.

- 6,108,994 A 8/2000 Bodine
- D433,563 S * 11/2000 Capanna et al. D3/215
- 6,230,463 B1 5/2001 Bodine
- 6,260,325 B1 7/2001 Wendt et al.
- 6,318,042 B1 11/2001 Bloom et al.
- 6,378,828 B1 * 4/2002 Valiulis et al. 248/231.81
- 6,389,771 B1 5/2002 Moller
- 6,510,592 B1 * 1/2003 Hamilton 24/170
- D478,501 S * 8/2003 Yoko D8/395
- 6,880,306 B2 4/2005 Burken et al.
- 7,004,436 B2 * 2/2006 Knapp 248/220.22
- D522,351 S * 6/2006 Taylor et al. D8/394
- 7,062,886 B2 6/2006 Auriemma
- D553,969 S * 10/2007 Allsopp D8/394
- D586,718 S * 2/2009 Morita et al. D12/223
- 2008/0256879 A1 10/2008 Babineau

FOREIGN PATENT DOCUMENTS

EP 0 344 164 B1 12/1994

(Continued)

OTHER PUBLICATIONS

Ecophon, Focus Frost Ds, undated, pp. 1-6.

(Continued)

Primary Examiner—T. Chase Nelson
Assistant Examiner—John Windmuller

(74) *Attorney, Agent, or Firm*—Duane Morris LLP

(57) **CLAIM**

The ornamental design for a modified ceiling tile edge support clip, as shown and described.

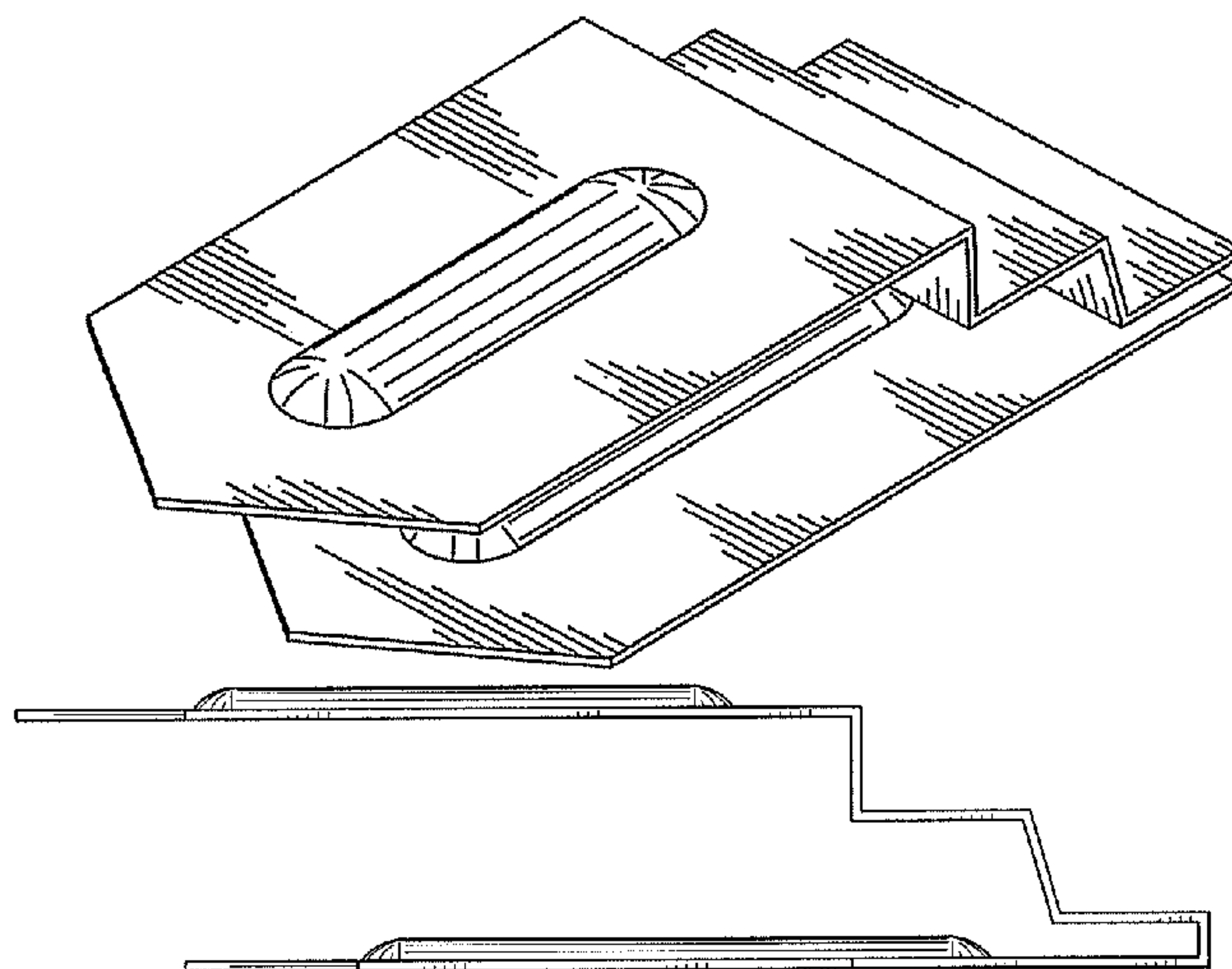
DESCRIPTION

FIG. 1 is a front bottom perspective view of a modified ceiling tile edge support clip showing my new design;

FIG. 2 is a rear top perspective view of the modified ceiling tile edge support clip of FIG. 1; and,

FIG. 3 is a right side elevation view of the modified ceiling tile edge support clip of FIG. 1.

1 Claim, 2 Drawing Sheets



US D606,851 S

Page 2

FOREIGN PATENT DOCUMENTS

EP	555 193 B1	12/1996
EP	154 089 A1	11/2001
EP	154 088 A3	12/2001
EP	1 154 088 B1	7/2005
EP	154 089 81	12/2007
WO	WO 01 27403 A1	4/2001
WO	WO 02 35030 A1	2/2002
WO	WO 05 083192 A1	9/2005

Amendment in U.S. Appl. No. 09/141,407, Feb. 1, 2000, pp. 1-17.
Amendment in U.S. Appl. No. 09/571,785, Nov. 30, 2000, pp. 1-9.
Preliminary Amendment in U.S. Appl. No. 09/571,785, Jun. 12, 2000, pp. 1-4.
PTO Office Action in 09/571,785, Aug. 30, 2000, pp. 1-5.
PTO Interview Summary, U.S. Appl. No. 09/141,407, Jan. 10, 2000, 1 page.
Interlocutory decision dated Dec. 12, 2006 in 99-115-715.7, Armstrong World Industries, Inc. 11 pages.

OTHER PUBLICATIONS

Ecophon, Focus Elite, the floating ceiling, Oct. 1992, pp. 1-6.

* cited by examiner

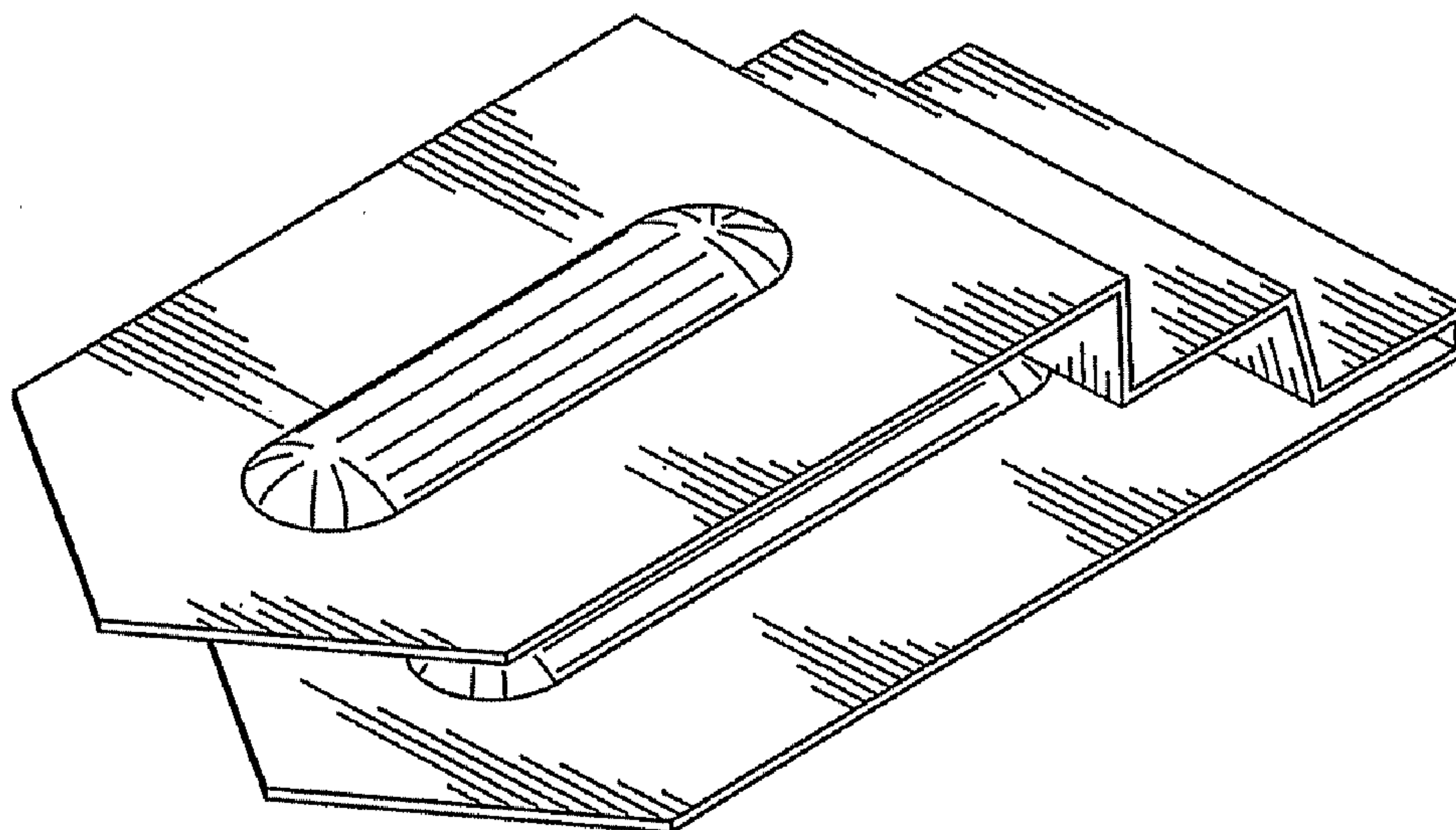


FIG. 1

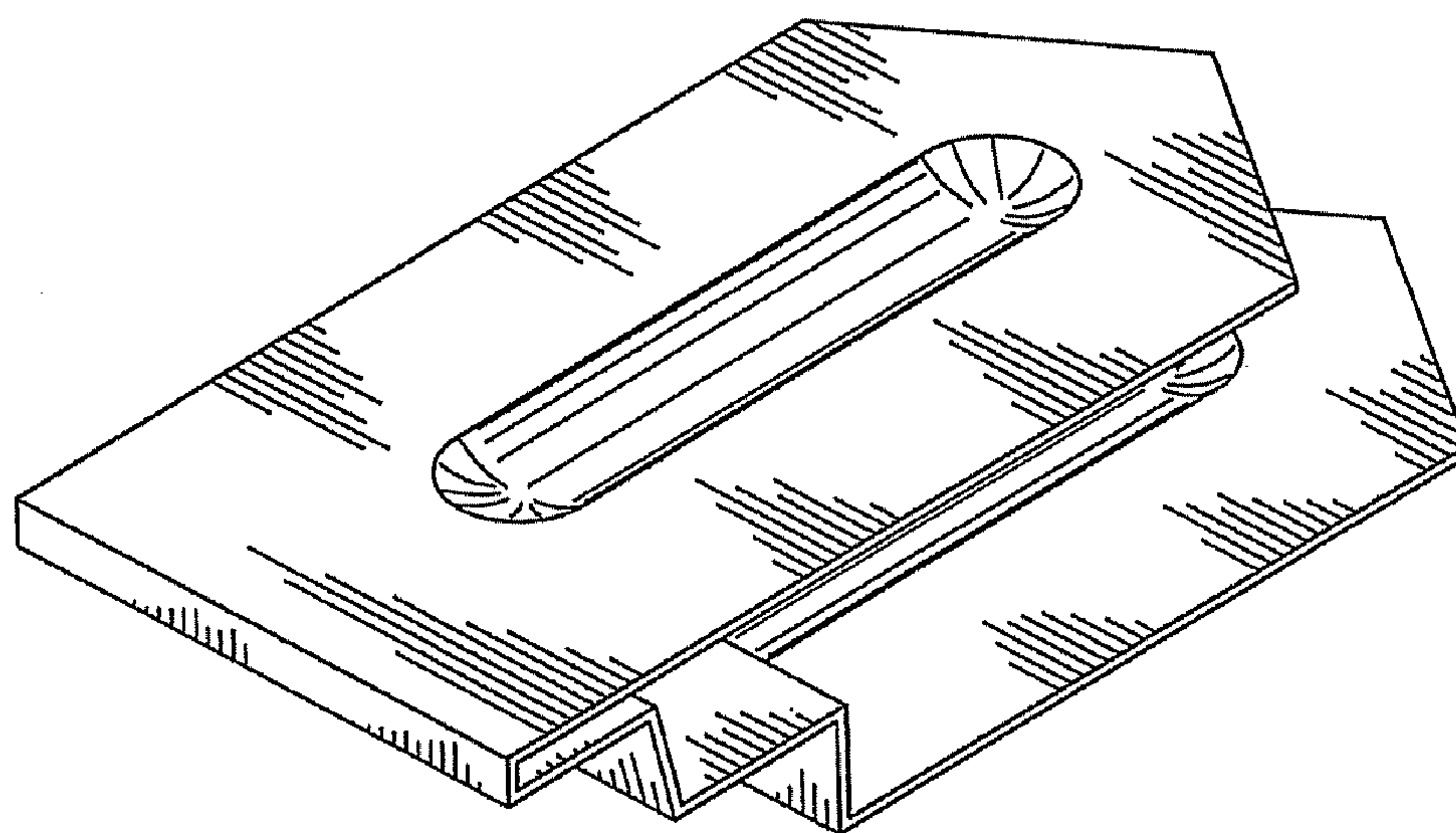


FIG. 2

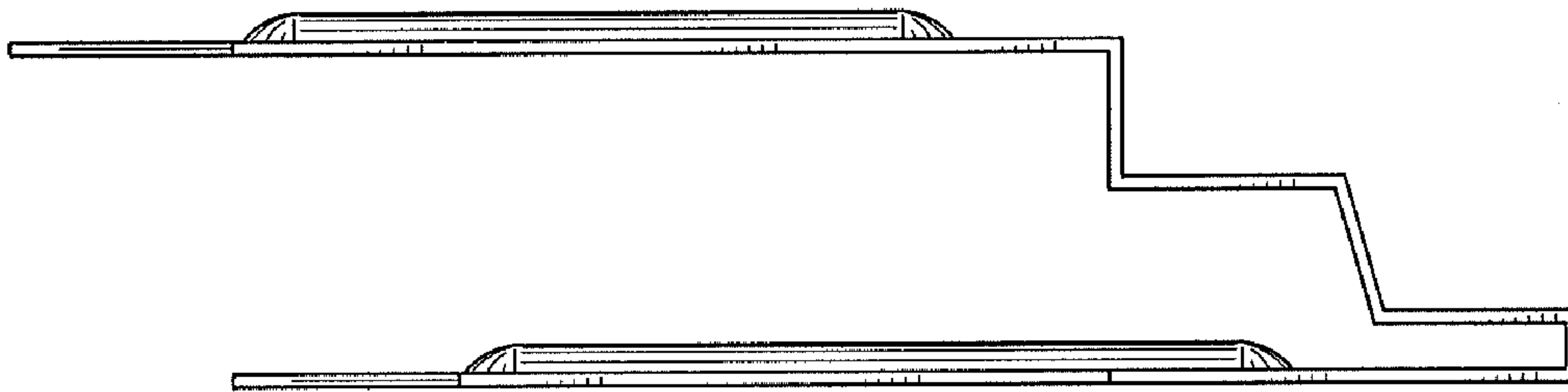


FIG. 3