



US00D606849S

(12) **United States Design Patent**
Jimenez

(10) **Patent No.:** **US D606,849 S**

(45) **Date of Patent:** **** Dec. 29, 2009**

(54) **MOUNTING CLIP**

(75) Inventor: **Jorge Jimenez**, Downers Grove, IL (US)

(73) Assignee: **Control Solutions LLC**, Aurora, IL (US)

(**) Term: **14 Years**

(21) Appl. No.: **29/335,227**

(22) Filed: **Apr. 10, 2009**

Related U.S. Application Data

(63) Continuation of application No. 12/197,058, filed on Aug. 22, 2008, and a continuation of application No. 12/197,126, filed on Aug. 25, 2008.

(51) **LOC (9) Cl.** **08-08**

(52) **U.S. Cl.** **D8/395**

(58) **Field of Classification Search** D8/356, D8/371, 394-396; 24/570, 546, 563, 571; 248/74.2, 215, 227.1, 49, 300, 301, 316.7, 248/51, 489; D19/65, 56; 296/146.4
See application file for complete search history.

(56) **References Cited**

U.S. PATENT DOCUMENTS

1,313,191 A	8/1919	Karitzky	
1,376,753 A *	5/1921	Febrey	24/67.11
1,808,328 A	6/1931	Thomson	
1,899,509 A *	2/1933	Lapin	211/88.01
3,099,269 A *	7/1963	Sorensen	24/67.11
3,154,275 A	10/1964	Stewart	
3,454,249 A	7/1969	Geisinger	
3,581,349 A	6/1971	Verspieren	
3,632,070 A	1/1972	Thayer	
3,780,209 A *	12/1973	Schuplin	174/51
3,913,876 A	10/1975	McSherry	
3,971,105 A	7/1976	Caveney	
D250,876 S	1/1979	Lindblom	
4,397,435 A	8/1983	Fisher et al.	
4,766,651 A	8/1988	Kobayashi et al.	
4,805,856 A	2/1989	Nicoli et al.	
D305,977 S	2/1990	Ono	
5,330,140 A	7/1994	Cseri	

5,332,179 A	7/1994	Kuffel et al.	
5,353,857 A *	10/1994	Anderson	160/178.1 R
5,362,018 A	11/1994	Darr et al.	
5,725,185 A	3/1998	Auclair	
6,079,674 A	6/2000	Snyder	
6,129,317 A	10/2000	Rodrigues et al.	
6,149,109 A	11/2000	Stankowski	
D482,223 S *	11/2003	Bibby et al.	D6/580
D486,862 S *	2/2004	Coe	D19/65
7,048,028 B2 *	5/2006	Wolfe et al.	160/173 R
7,083,152 B2	8/2006	Carullo et al.	
7,150,437 B1	12/2006	Teeters	
7,221,832 B2	5/2007	Tinucci	
7,284,736 B2 *	10/2007	Franssen	248/251
7,306,755 B2	12/2007	Morello	
D567,638 S *	4/2008	Rieder	D8/371
7,440,669 B2	10/2008	Tinucci	
2008/0098571 A1	5/2008	Morris	
2008/0189919 A1 *	8/2008	Keefer et al.	24/563
2008/0235921 A1 *	10/2008	Zwier	24/545

* cited by examiner

Primary Examiner—T. Chase Nelson
Assistant Examiner—John Windmuller
(74) *Attorney, Agent, or Firm*—Wildman, Harrold, Allen & Dixon LLP

(57) **CLAIM**

The ornamental design for a mounting clip, as shown and described.

DESCRIPTION

FIG. 1 is a perspective front view of a mounting clip;
FIG. 2 is a perspective back view thereof;
FIG. 3 is a top view thereof;
FIG. 4 is an elevated front view thereof;
FIG. 5 is an elevated side view thereof;
FIG. 6 is an elevated back view thereof; and,
FIG. 7 is a bottom view thereof.
A left side elevational view is provided of which the right side elevational view is a mirror image.

1 Claim, 1 Drawing Sheet

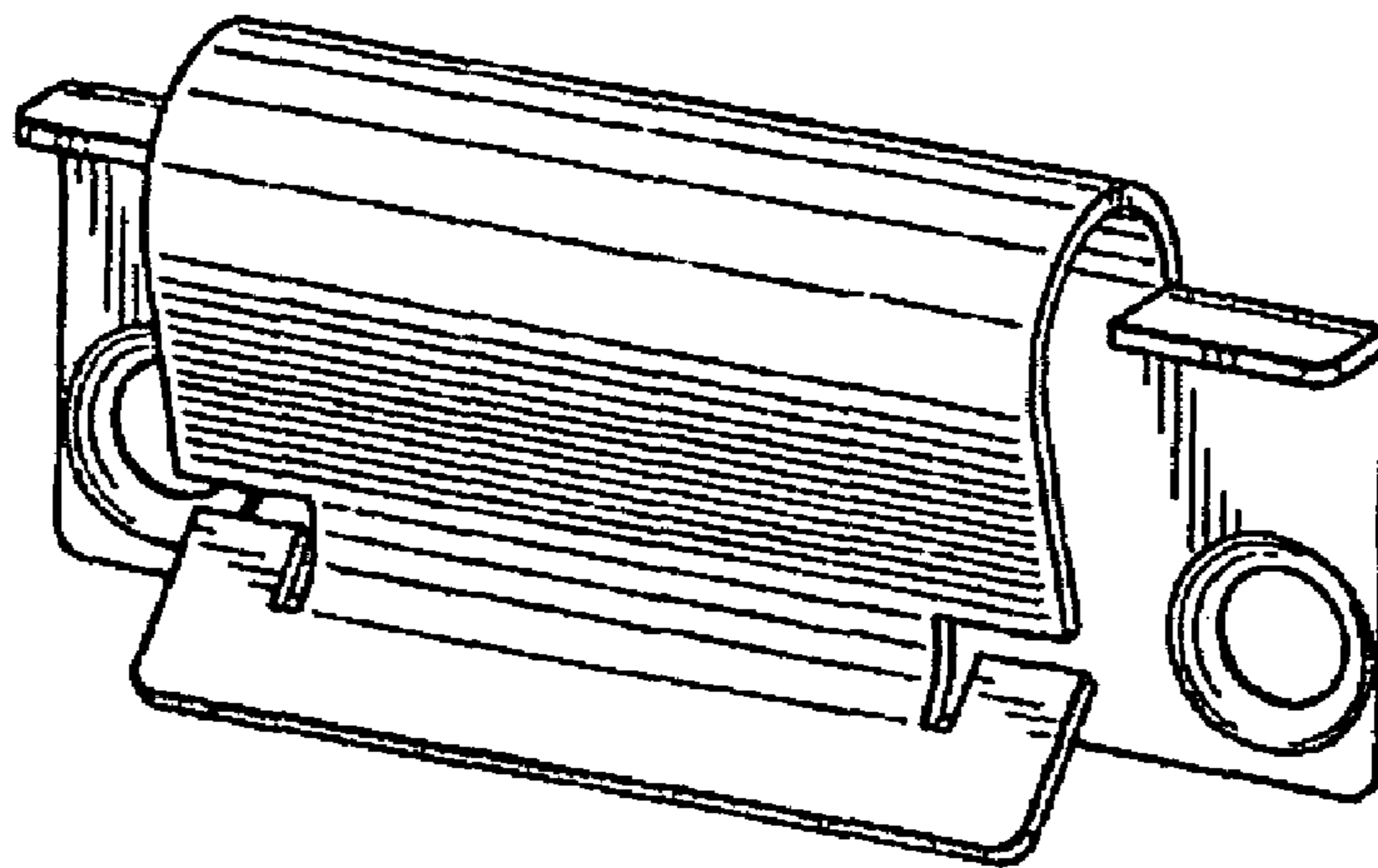


Fig. 1

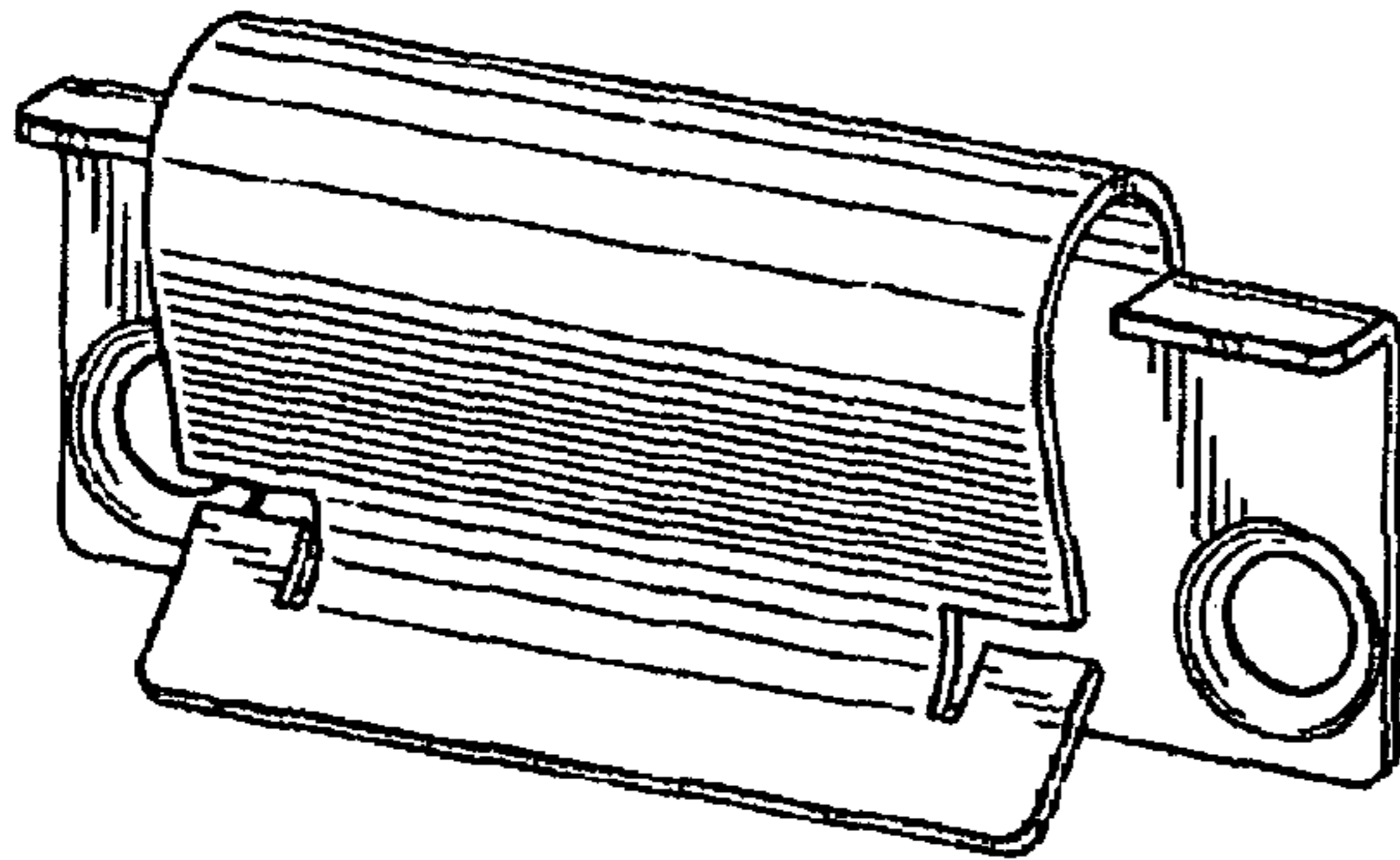


Fig. 2

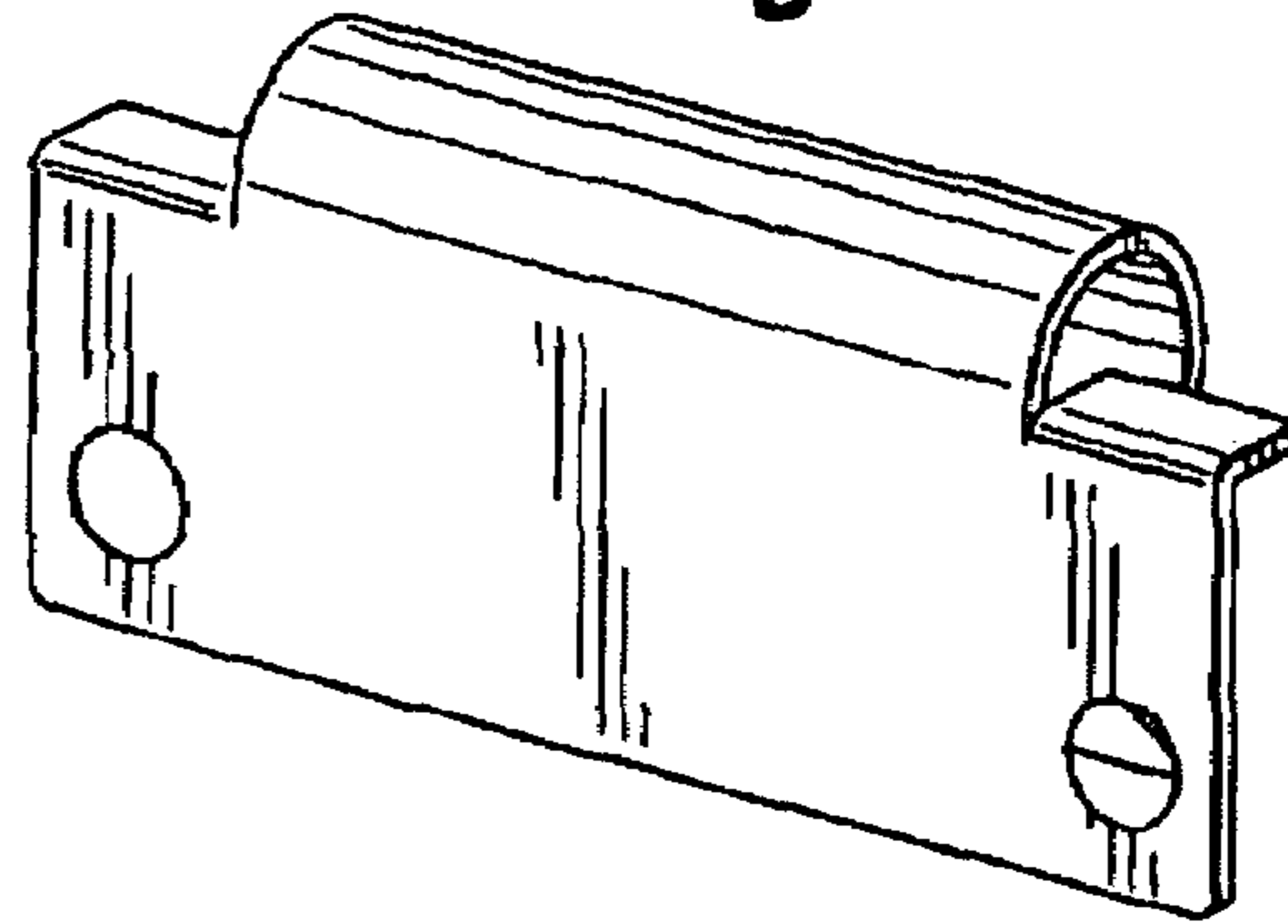


Fig. 3

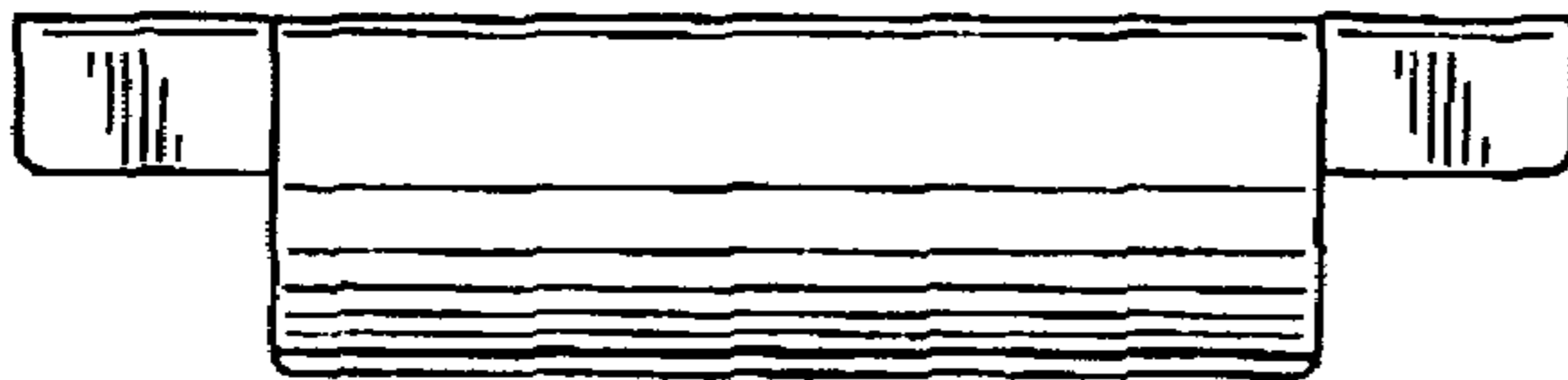


Fig. 5

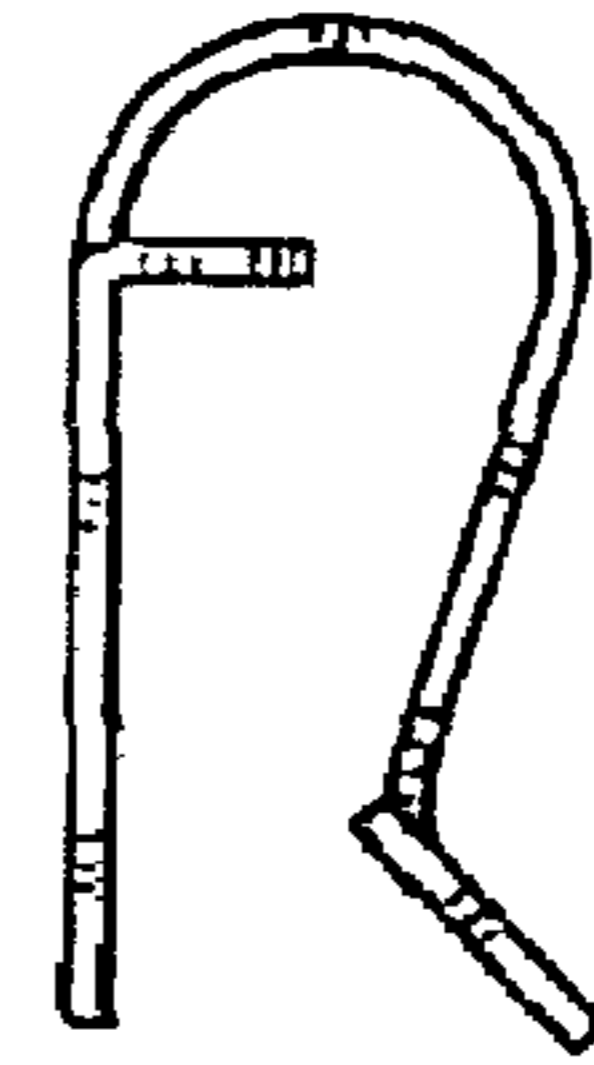


Fig. 4

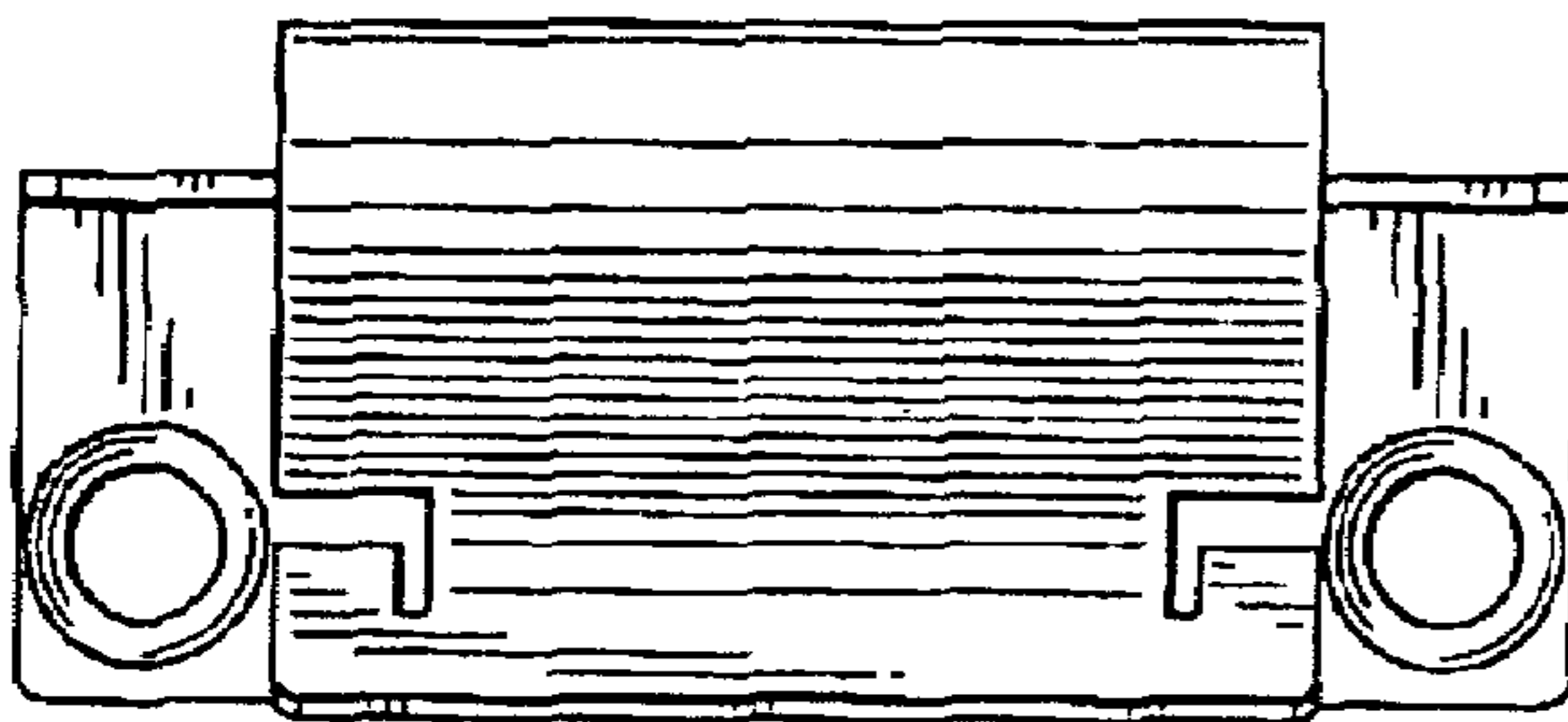


Fig. 6

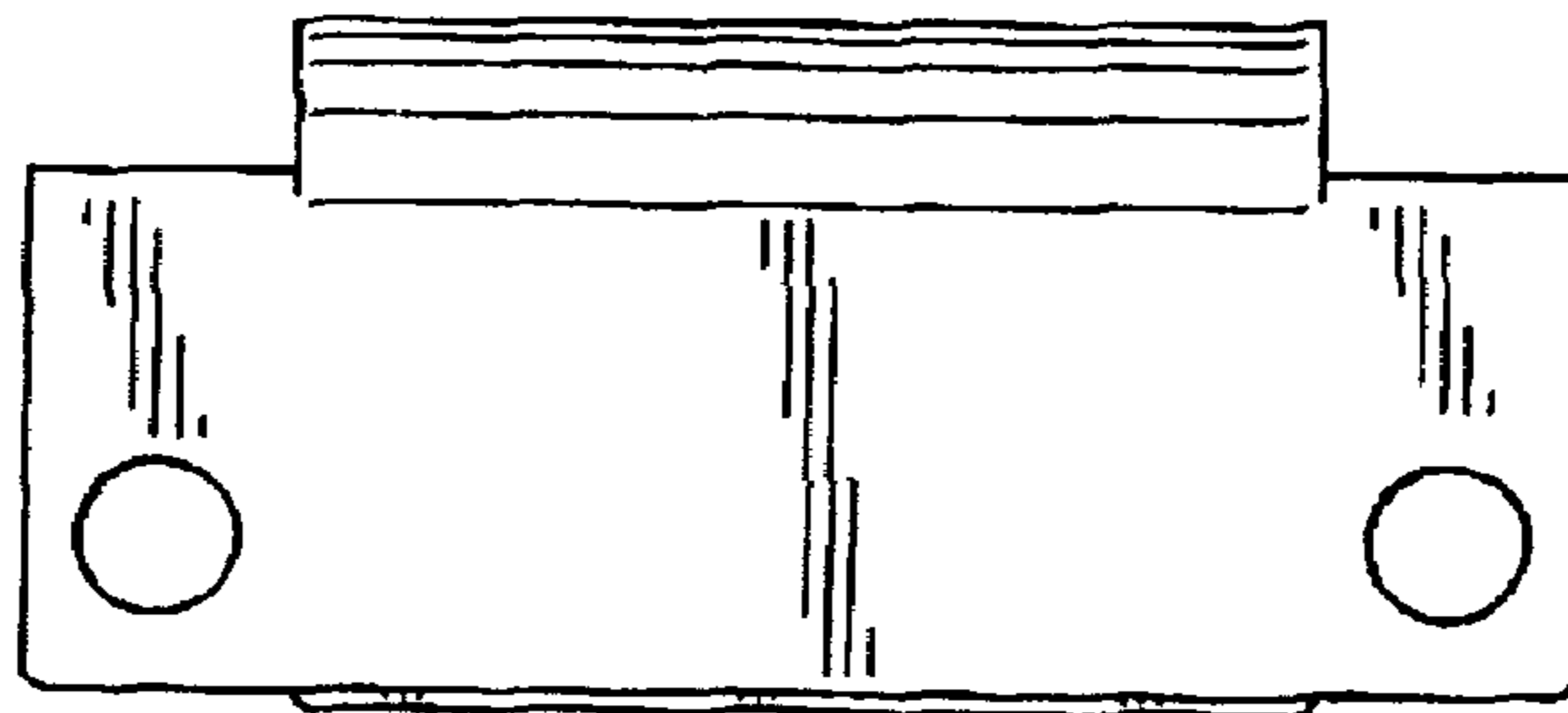


Fig. 7

