



US00D606848S

(12) **United States Design Patent**
Jimenez

(10) **Patent No.:** **US D606,848 S**

(45) **Date of Patent:** **** Dec. 29, 2009**

(54) **MOUNTING CLIP**

(75) Inventor: **Jorge Jimenez**, Downers Grove, IL (US)

(73) Assignee: **Control Solutions LLC**, Aurora, IL (US)

(**) Term: **14 Years**

(21) Appl. No.: **29/335,226**

(22) Filed: **Apr. 10, 2009**

3,154,275 A	10/1964	Stewart	
3,454,249 A	7/1969	Geisinger	
3,581,349 A	6/1971	Verspieren	
3,632,070 A	1/1972	Thayer	
3,653,624 A *	4/1972	Abel	248/312
3,913,876 A	10/1975	McSherry	
3,971,105 A	7/1976	Caveney	
D250,876 S	1/1979	Lindblom	
4,397,435 A	8/1983	Fisher et al.	
4,766,651 A	8/1988	Kobayashi et al.	
D298,711 S *	11/1988	Lowance	D6/547
4,805,856 A	2/1989	Nicoli et al.	
D305,977 S	2/1990	Ono	
D308,935 S *	7/1990	Leatherman	D8/395

Related U.S. Application Data

(63) Continuation of application No. 12/197,058, filed on Aug. 22, 2008, and a continuation of application No. 12/197,126, filed on Aug. 25, 2008.

(51) **LOC (9) Cl.** **08-08**

(52) **U.S. Cl.** **D8/395; D8/396**

(58) **Field of Classification Search** D8/356, D8/371, 394-396; 24/570, 546, 563, 571; 248/74.2, 215, 227.1, 49, 300, 301, 316.7, 248/51, 489; D19/65, 56; 296/146.4

See application file for complete search history.

(56) **References Cited**

U.S. PATENT DOCUMENTS

510,468 A *	12/1893	Buehl	248/214
551,736 A *	12/1895	Pitkin	24/331
1,313,191 A	8/1919	Karitzky	
1,324,308 A *	12/1919	Crossan	24/11 CT
1,730,959 A *	10/1929	Warfield	40/658
1,808,328 A	6/1931	Thomson	
1,866,691 A *	7/1932	Worley, Jr. et al.	24/710.5
1,899,509 A *	2/1933	Lapin	211/88.01
1,958,934 A *	5/1934	Williams	160/212
2,018,836 A *	10/1935	Clemence	362/396
D156,659 S *	12/1949	Reed	D8/395
2,588,251 A *	3/1952	Kost	411/529

(Continued)

Primary Examiner—T. Chase Nelson

Assistant Examiner—John Windmuller

(74) *Attorney, Agent, or Firm*—Wildman, Harrold, Allen & Dixon LLP

(57) **CLAIM**

The ornamental design for a mounting clip, as shown and described.

DESCRIPTION

FIG. 1 is a perspective front view of a mounting clip;

FIG. 2 is a perspective back view thereof;

FIG. 3 is a top view thereof;

FIG. 4 is an back view thereof;

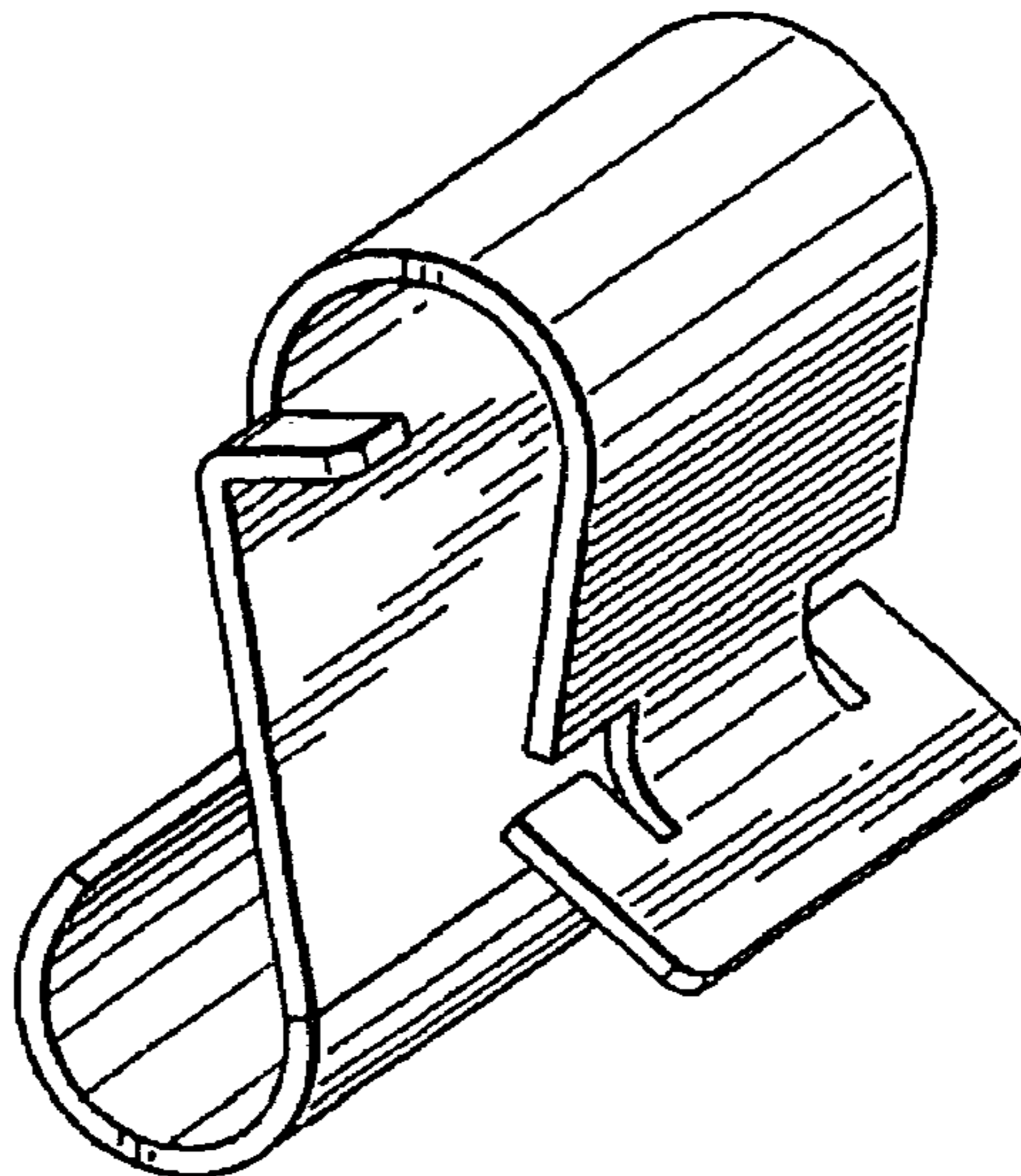
FIG. 5 is an elevated side view thereof;

FIG. 6 is an bottom view thereof; and,

FIG. 7 is a front view thereof.

A left side elevational view is provided of which the right side elevational view is identical.

1 Claim, 1 Drawing Sheet



US D606,848 S

Page 2

U.S. PATENT DOCUMENTS

D312,706	S	*	12/1990	Janesko	D26/138			
5,330,140	A		7/1994	Cseri					
5,332,179	A		7/1994	Kuffel et al.					
5,362,018	A		11/1994	Darr et al.					
D377,896	S	*	2/1997	Mesna et al.	D8/367			
5,619,774	A	*	4/1997	Perry	24/3.6			
5,639,049	A	*	6/1997	Jennings et al.	248/74.2			
5,725,185	A		3/1998	Auclair					
5,910,351	A	*	6/1999	Davis et al.	428/100			
D412,601	S	*	8/1999	Cooper	D28/73			
6,079,674	A		6/2000	Snyder					
6,129,317	A		10/2000	Rodrigues et al.					
6,149,109	A		11/2000	Stankowski					
D503,430	S	*	3/2005	Chang	D19/83			
D523,330	S	*	6/2006	Mattesky	D8/395			
7,083,152	B2		8/2006	Carullo et al.					
7,150,437	B1		12/2006	Teeters					
7,221,832	B2		5/2007	Tinucci					
7,306,755	B2		12/2007	Morello					
7,440,669	B2		10/2008	Tinucci					
D597,400	S	*	8/2009	Matejcik	D8/367			
2008/0098571	A1		5/2008	Morris					

* cited by examiner

Fig. 1

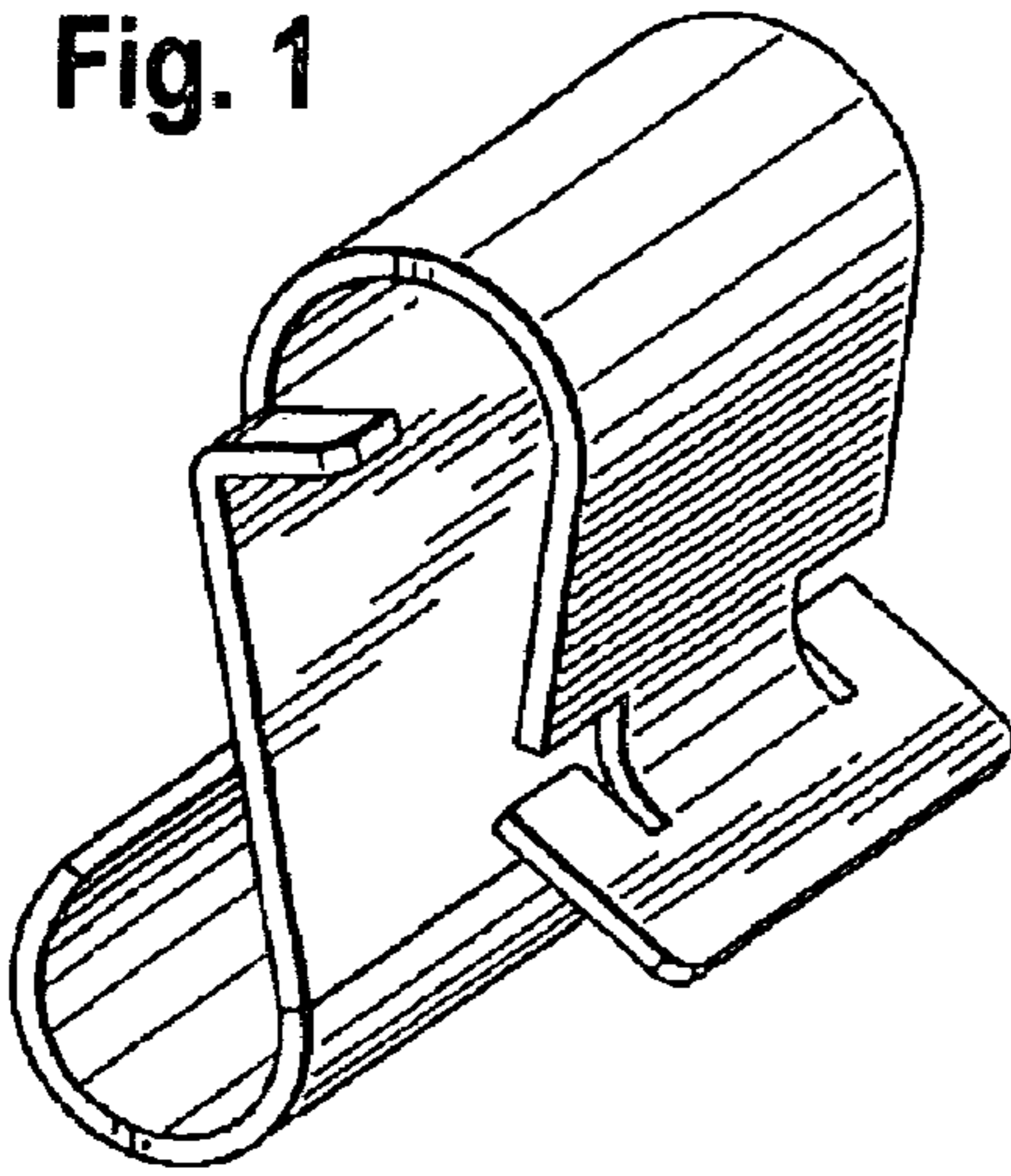


Fig. 2

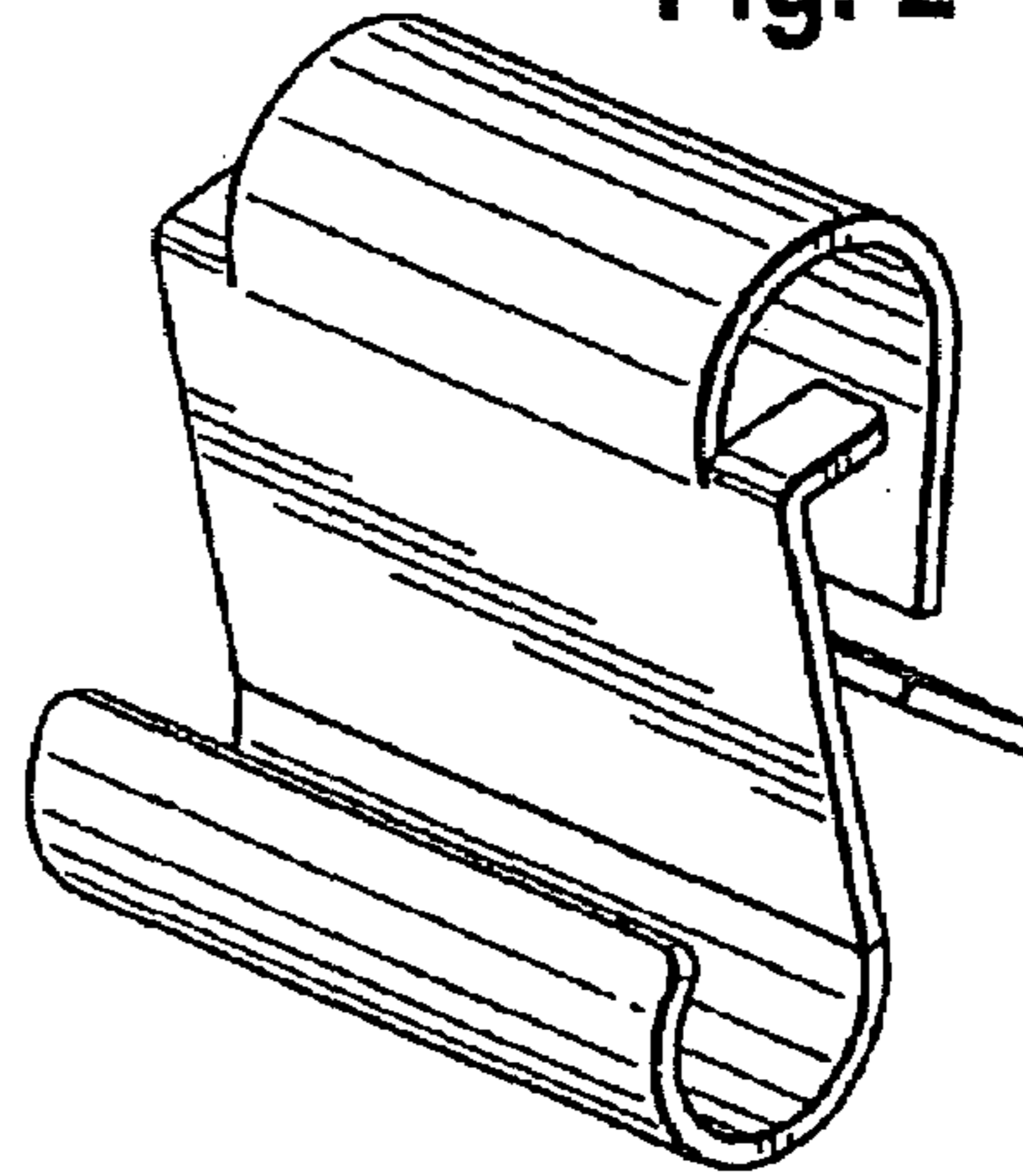


Fig. 3

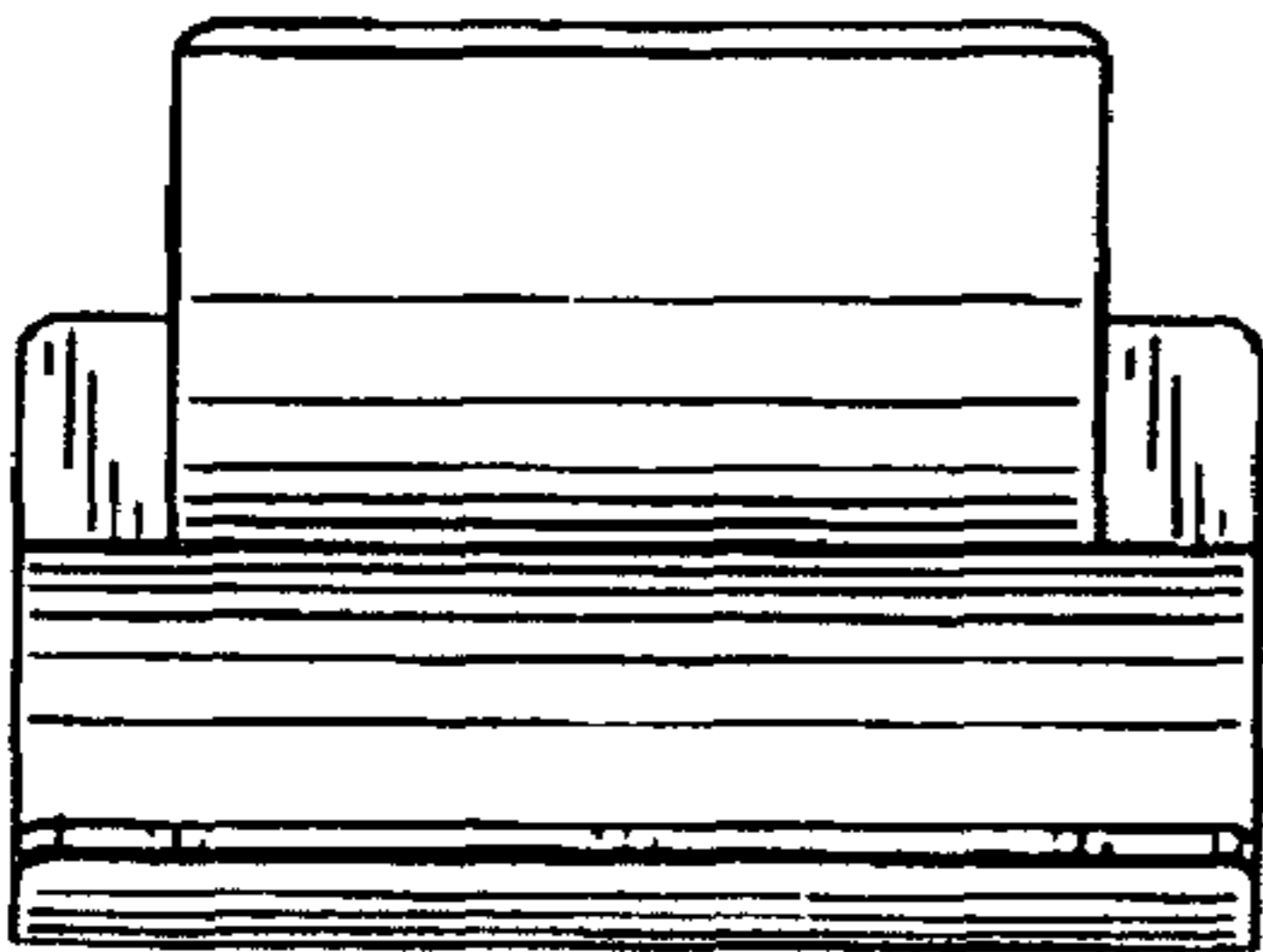


Fig. 4

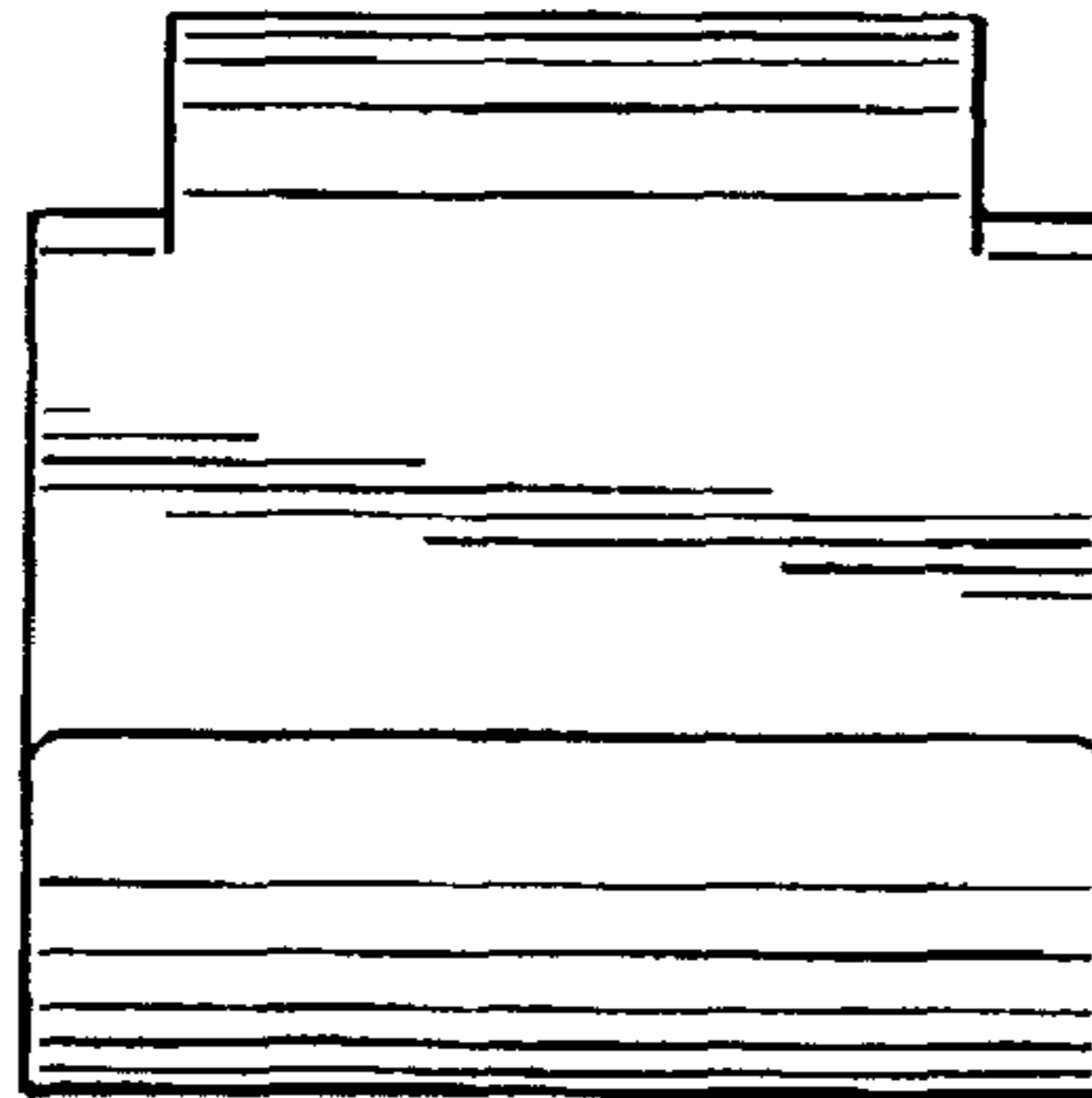


Fig. 5

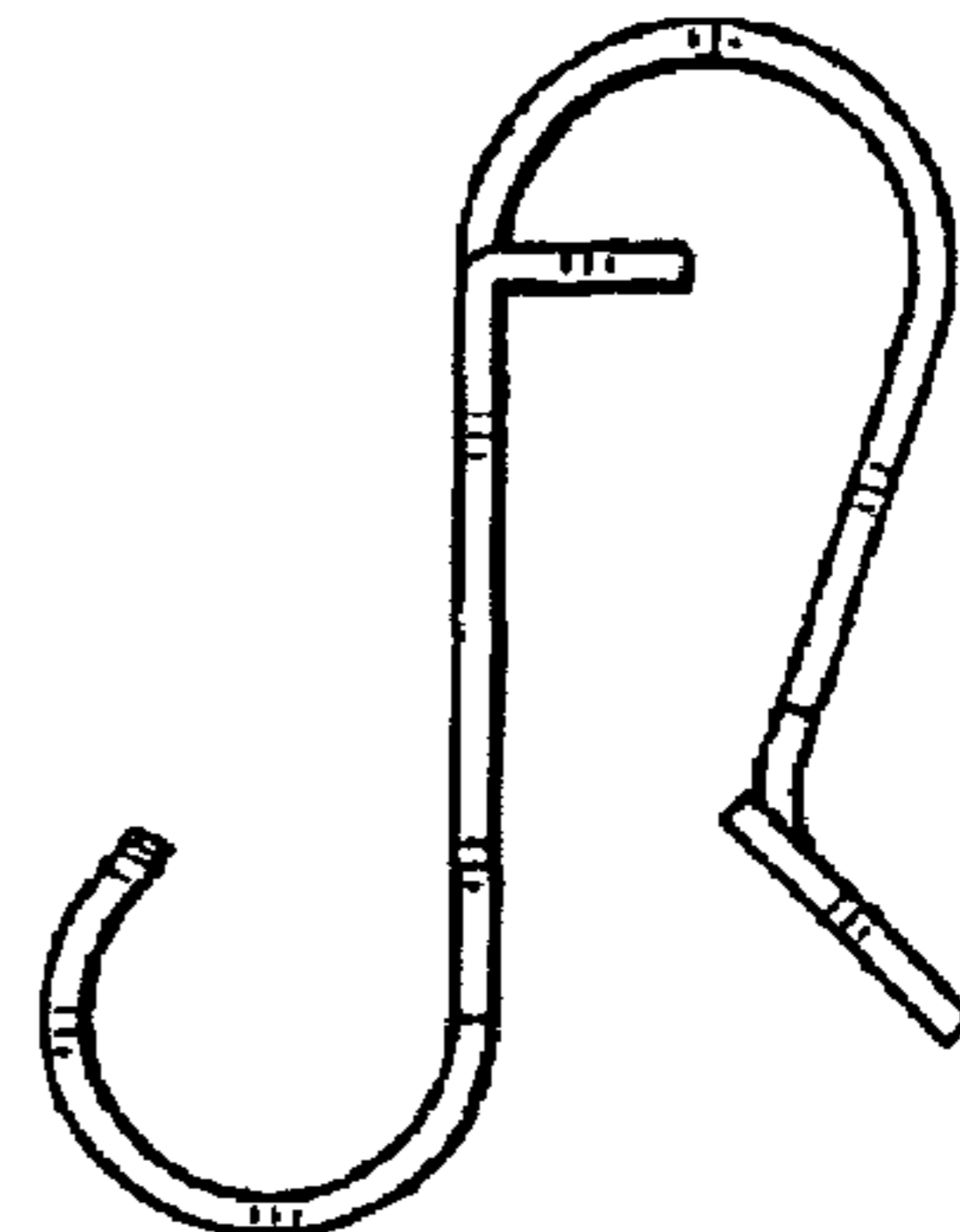


Fig. 6

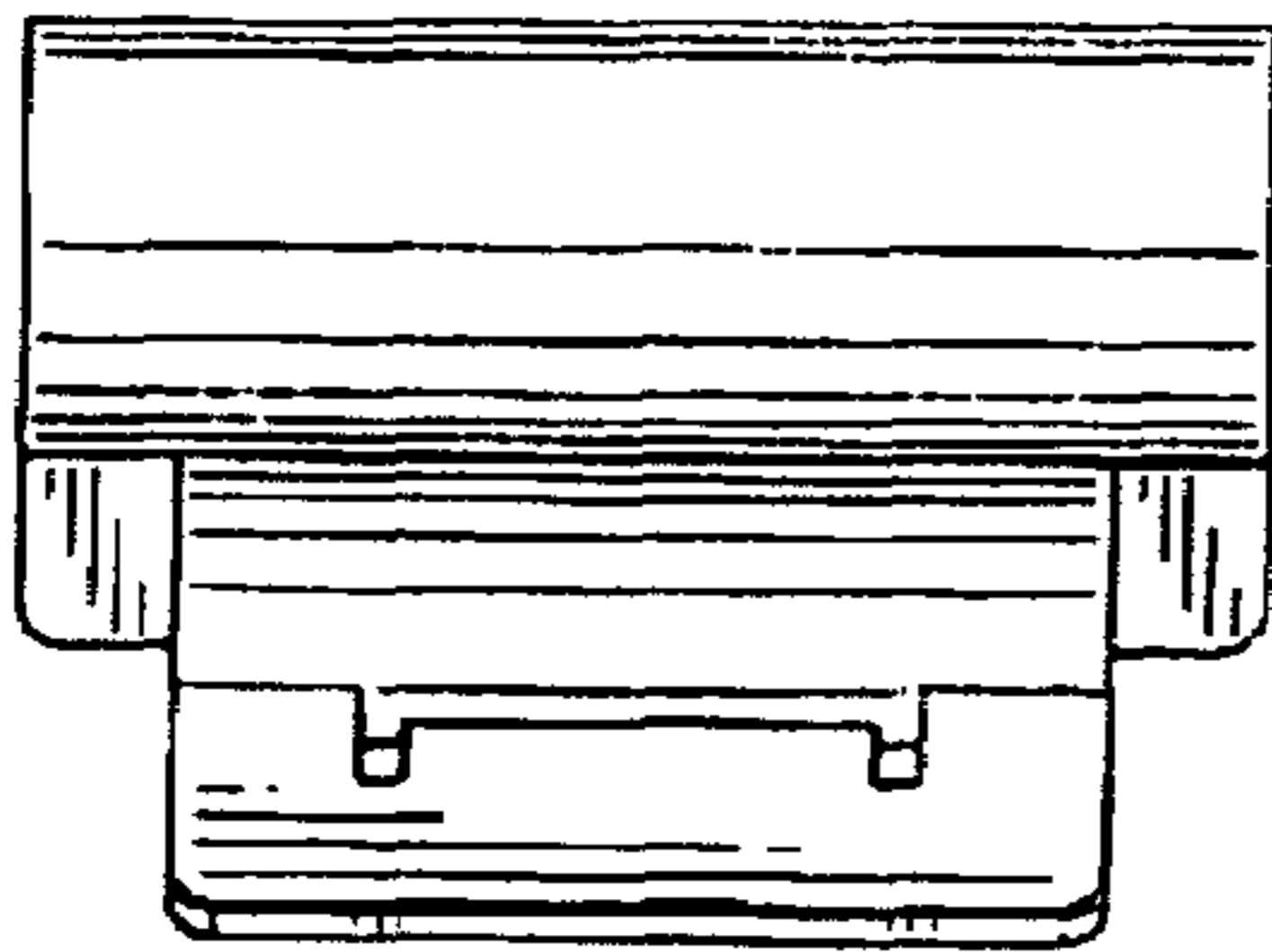


Fig. 7

