



US00D606847S

(12) **United States Design Patent**
Rataiczak, III

(10) **Patent No.:** **US D606,847 S**
(45) **Date of Patent:** **** Dec. 29, 2009**

(54) **CURVED MERCHANDISING HOOK**

(75) Inventor: **James J. Rataiczak, III**, Chesterland, OH (US)

(73) Assignee: **Fasteners For Retail, Inc.**, Cleveland, OH (US)

(**) Term: **14 Years**

(21) Appl. No.: **29/337,085**

(22) Filed: **May 14, 2009**

(51) **LOC (9) Cl.** **08-05**

(52) **U.S. Cl.** **D8/367**

(58) **Field of Classification Search** D8/367,
D8/371, 373, 382; 205/253; 24/128, 265,
24/265 H, 298, 373, 598.4, 598.7, 599.1,
24/599.2, 559.5, 599.6, 599.7, 599.8, 599.4,
24/600.1, 601.2, 600.3, 600.9; 52/698; 248/328;
472/118; 482/91; 294/82.1, 82.11, 1; 114/249;
428/100; D6/566; 211/59.1, 59.3

See application file for complete search history.

(56) **References Cited**

U.S. PATENT DOCUMENTS

4,860,905	A	8/1989	Schott et al.	
5,647,566	A	7/1997	Kump	
D420,567	S *	2/2000	Laga et al.	D8/367
6,234,436	B1	5/2001	Kump	
D488,709	S *	4/2004	Sylvan	D8/367
D533,745	S *	12/2006	Rodrigue	D6/566

D540,943	S *	4/2007	Edwards	D24/128
7,219,806	B1 *	5/2007	Morrow	211/59.1
D558,029	S *	12/2007	Ernst et al.	D8/367
2008/0302741	A1 *	12/2008	Pail	211/59.3

OTHER PUBLICATIONS

FFR Yellow Pages 2008 Product Catalog, Cover page and pp. 185-194, 2008.

* cited by examiner

Primary Examiner—Robert M Spear

Assistant Examiner—Barbara B Lohr

(74) *Attorney, Agent, or Firm*—Fay Sharpe LLP

(57) **CLAIM**

The ornamental design for a curved merchandising hook, as shown and described.

DESCRIPTION

FIG. 1 is a front right perspective view of a curved merchandising hook showing my new design;

FIG. 2 is a right side elevational view thereof;

FIG. 3 is a left side elevational view thereof;

FIG. 4 is a top plan view thereof;

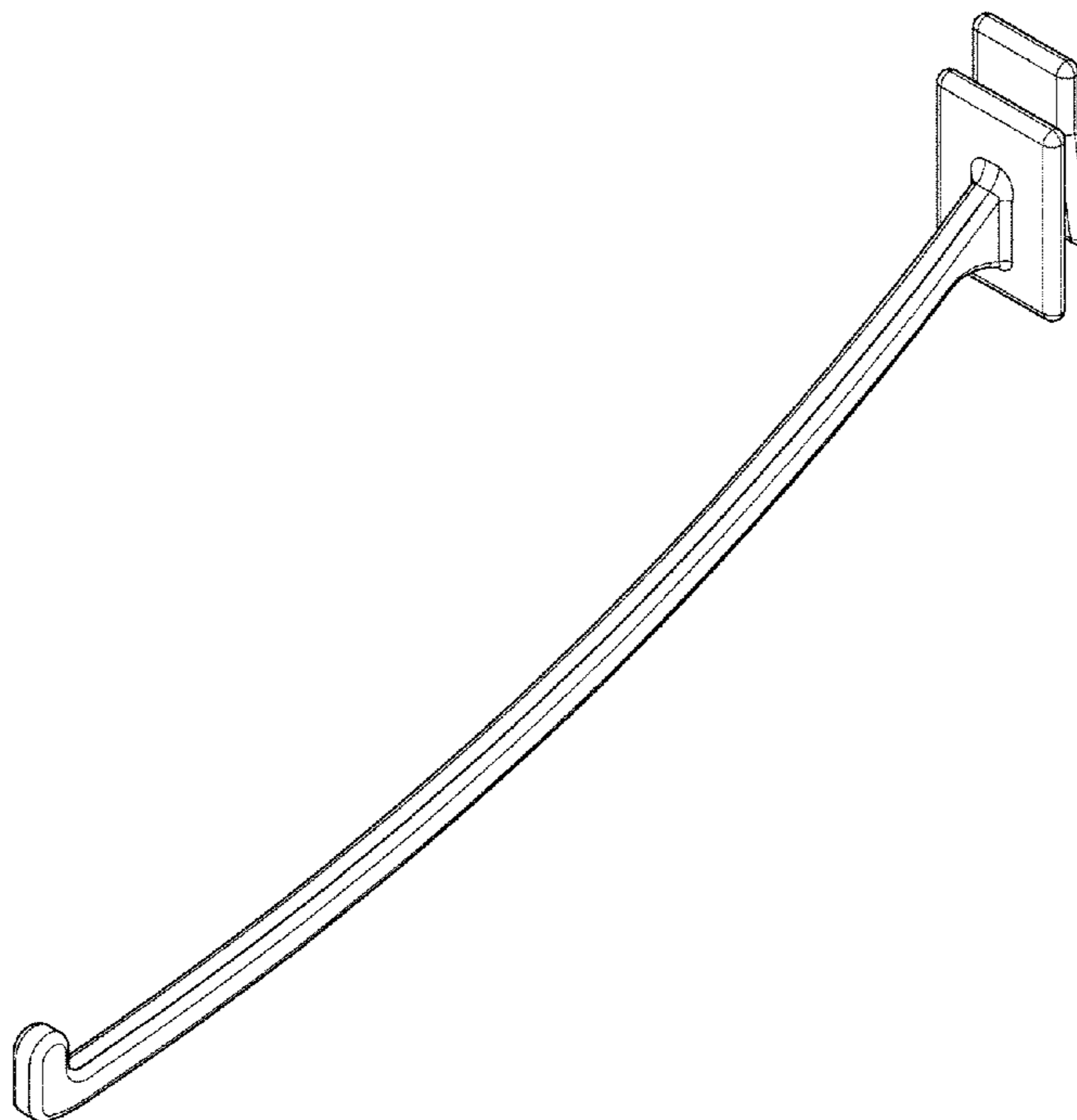
FIG. 5 is a bottom plan view thereof;

FIG. 6 is a front elevational view thereof;

FIG. 7 is a rear elevational view thereof; and,

FIG. 8 is a rear left perspective view thereof.

1 Claim, 3 Drawing Sheets



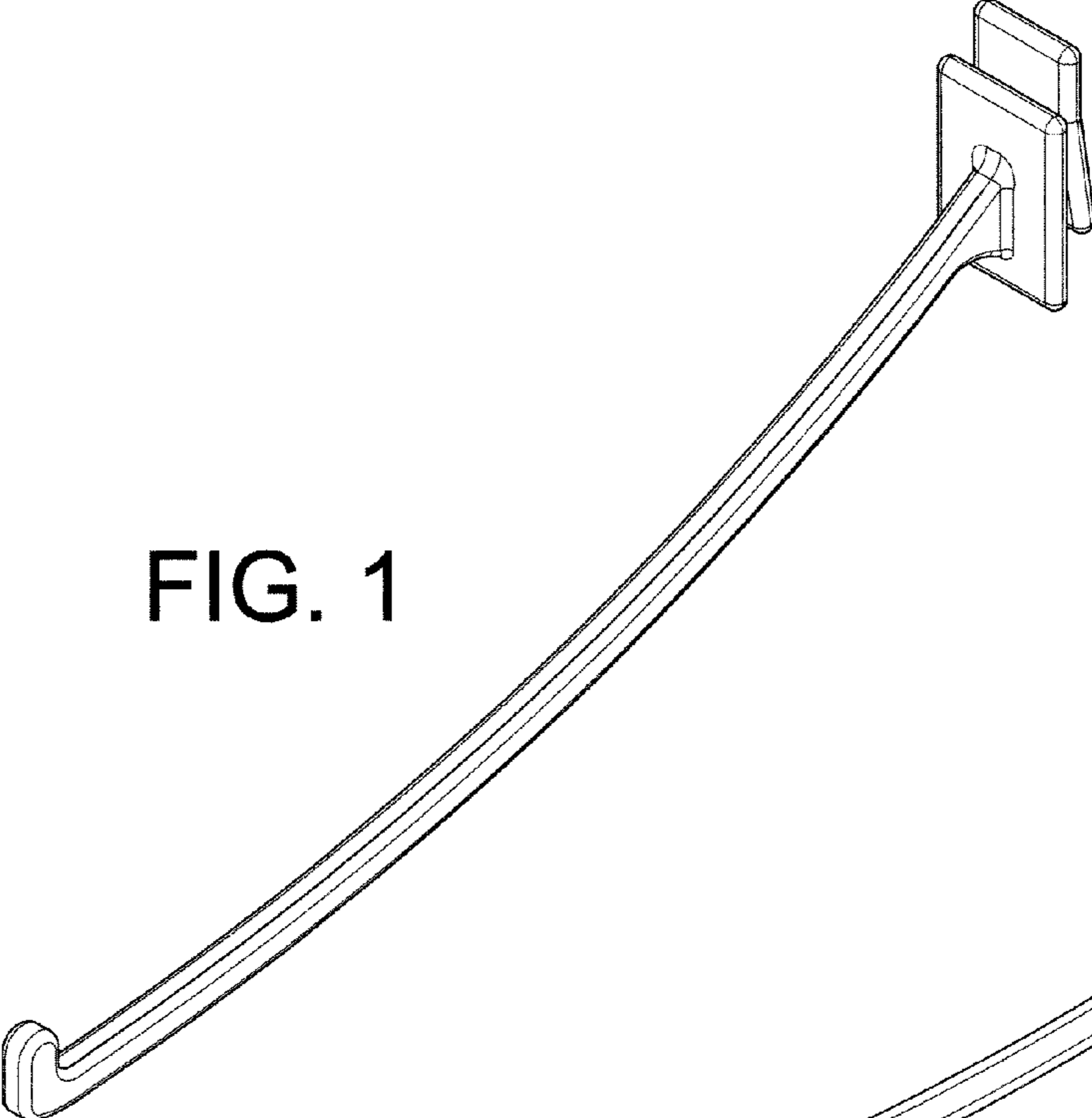


FIG. 1

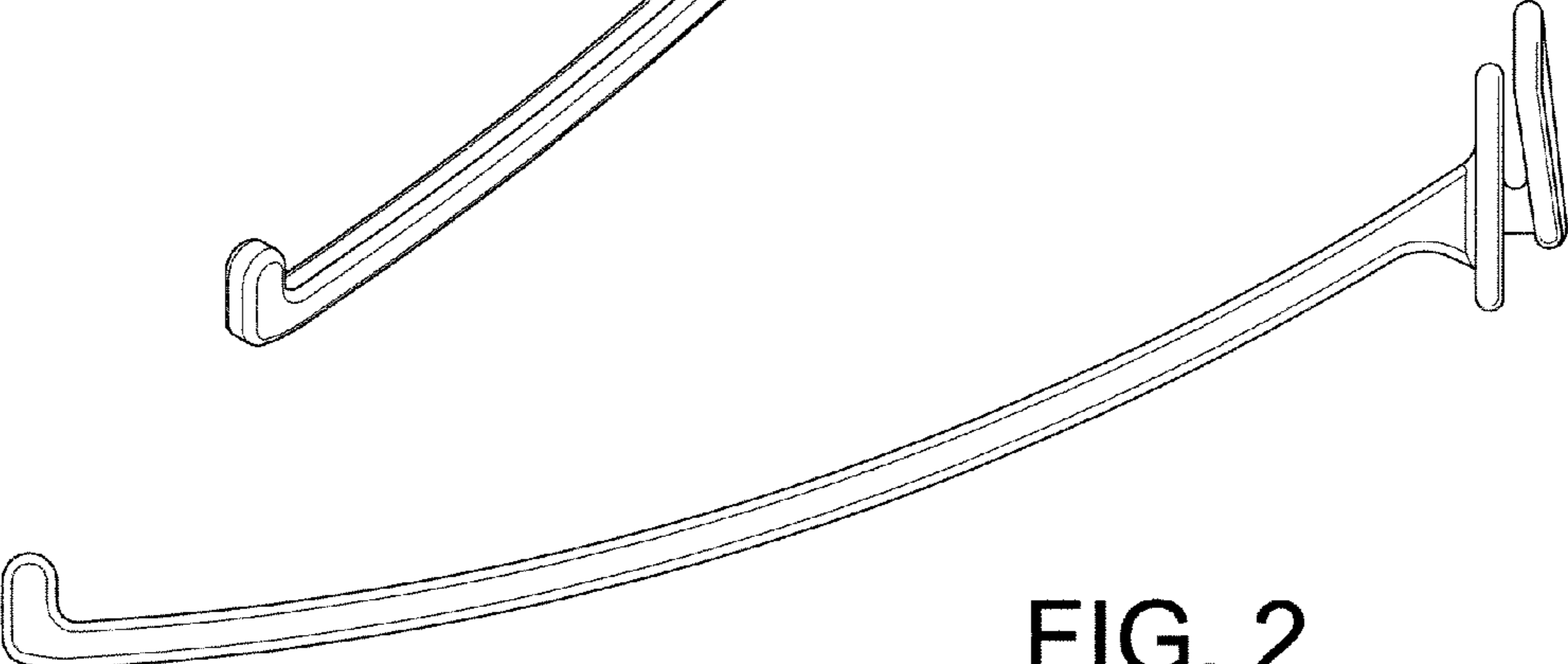


FIG. 2

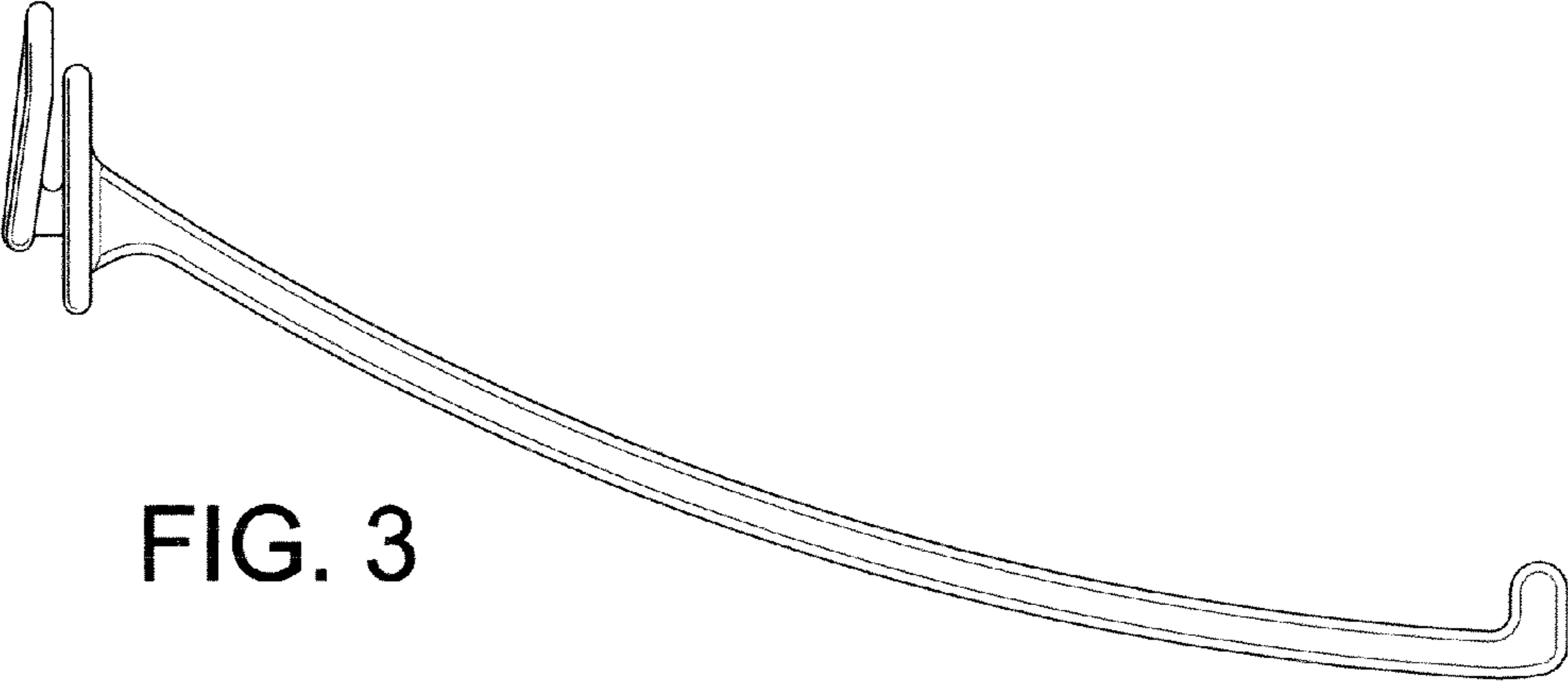


FIG. 3

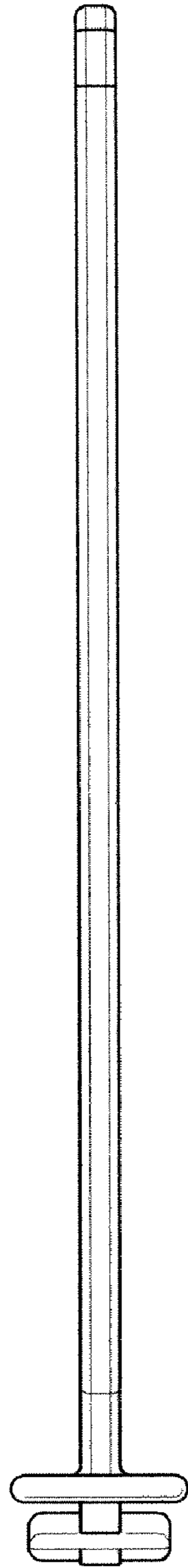


FIG. 4

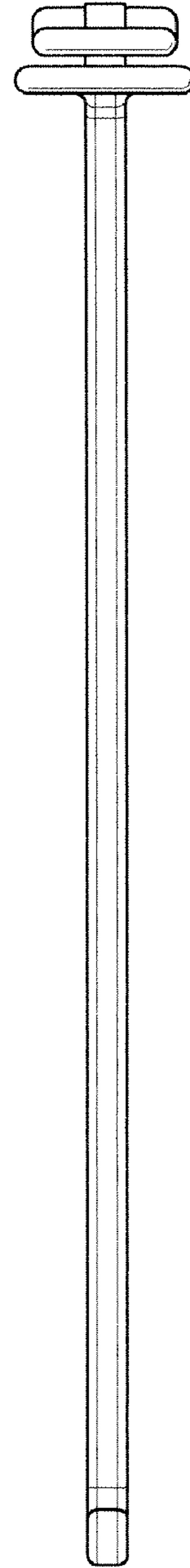


FIG. 5

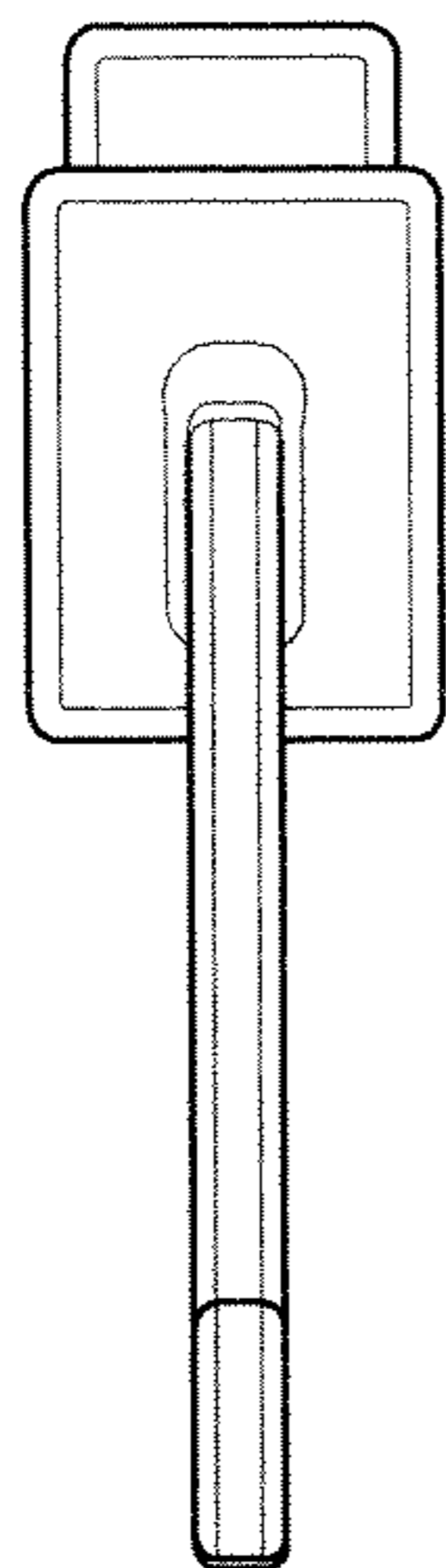


FIG. 6

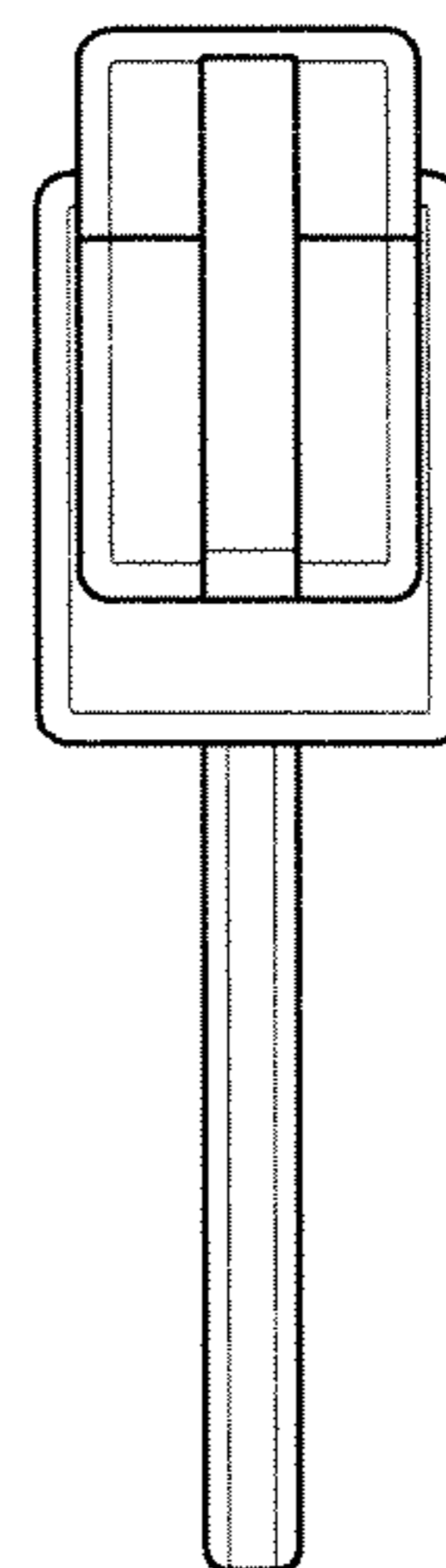


FIG. 7



FIG. 8