



US00D606844S

(12) **United States Design Patent**
Glass et al.

(10) **Patent No.:** **US D606,844 S**

(45) **Date of Patent:** **** Dec. 29, 2009**

(54) **GROMMET**

(75) Inventors: **Peter Glass**, Arroyo Grande, CA (US);
Robert J. Mills, Torrance, CA (US)

(73) Assignee: **Virco Mgmt. Corporation**, Torrance,
CA (US)

(**) Term: **14 Years**

(21) Appl. No.: **29/307,752**

(22) Filed: **May 9, 2008**

(51) **LOC (9) Cl.** **08-08**

(52) **U.S. Cl.** **D8/356**

(58) **Field of Classification Search** D8/105,
D8/107, 333, 349, 354, 356, 358, 360, 360.1,
D8/367, 373, 382, 383, 394-396, 400; D13/153,
D13/154; 24/18, 115 R, 197, 561, 573.11,
24/581.12, 582.13, 583.1; 52/220.7; 174/66,
174/135, 153 G, 500, 650, 656; 242/400.1,
242/405.1, 405.2, 600, 603; 248/65, 74.1-74.4,
248/201, 214, 215, 229.26; 439/92-108,
439/501, 535; 294/26, 82.19, 82.2; 16/2.1
See application file for complete search history.

(56) **References Cited**

U.S. PATENT DOCUMENTS

3,372,441	A *	3/1968	Fisher	16/2.1
D247,844	S *	5/1978	Palm, Jr.	D8/352
4,520,976	A *	6/1985	Cournoyer et al.	248/56
D285,044	S	8/1986	Mockett		
4,688,491	A	8/1987	Herrera et al.		
4,730,363	A *	3/1988	Asbaghi	174/153 G
D296,761	S	7/1988	Mockett		
D298,494	S *	11/1988	Mockett	D6/491
4,896,784	A *	1/1990	Heath	220/3.2
D313,340	S	1/1991	Stathis et al.		
D317,559	S *	6/1991	Simonton	D8/356
5,130,494	A *	7/1992	Simonton et al.	174/500
D328,561	S *	8/1992	Simonton	D8/356
5,144,777	A	9/1992	Fishel et al.		
5,162,612	A *	11/1992	Naka et al.	174/480

5,189,779	A	3/1993	Fishel et al.		
D355,110	S *	2/1995	Olson et al.	D8/356
D358,980	S *	6/1995	Mockett	D8/356
D361,711	S	8/1995	Plumley		
5,451,101	A *	9/1995	Ellison et al.	312/223.6
D370,622	S *	6/1996	Byrne	D8/356

(Continued)

Primary Examiner—Robert M Spear

Assistant Examiner—Karen Acker

(74) *Attorney, Agent, or Firm*—Virco Mgmt. Corporation;
Robert M. Hupe

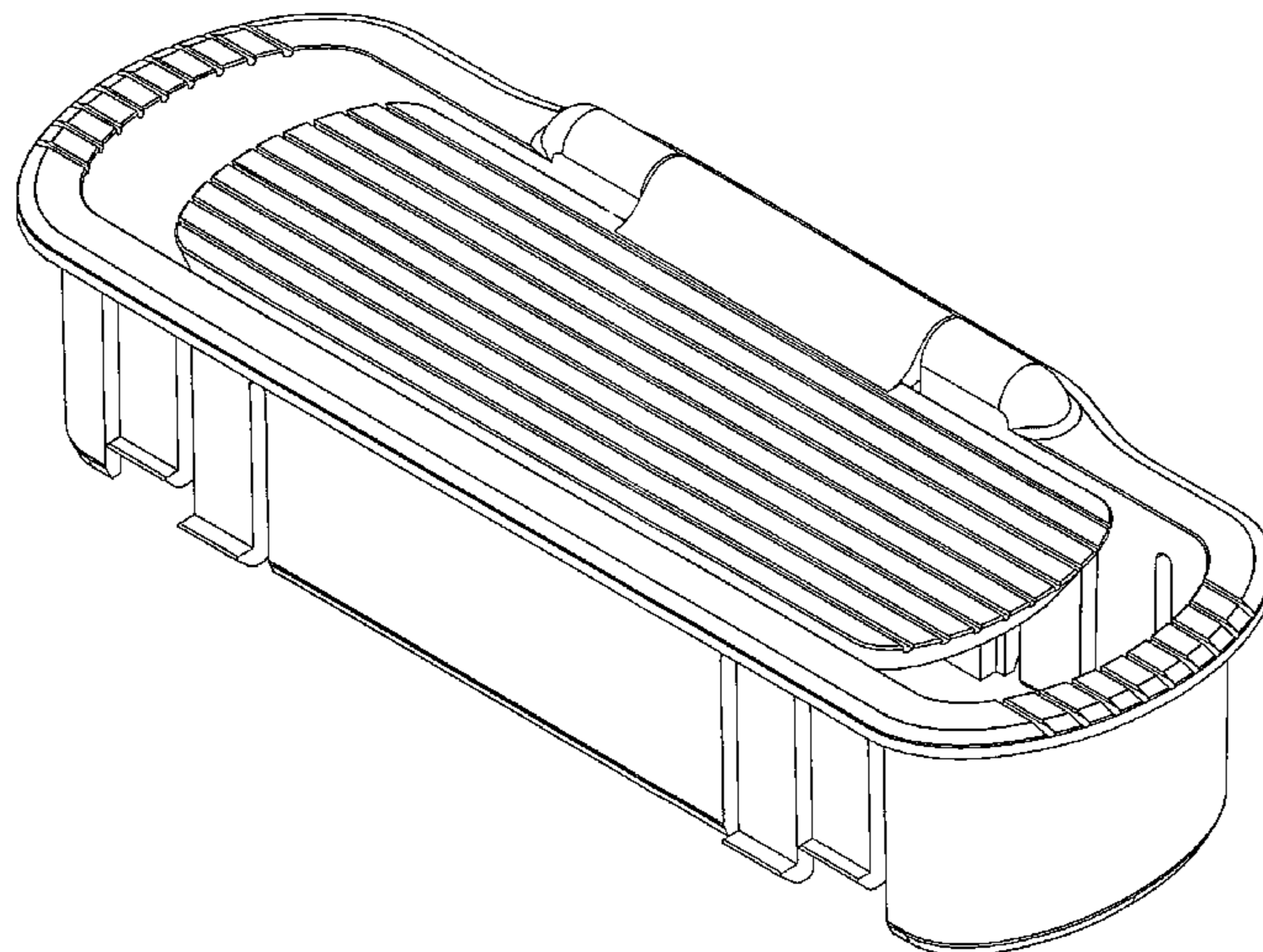
(57) **CLAIM**

The ornamental design for a “grommet,” as shown and described.

DESCRIPTION

FIG. 1 is a top view of a grommet showing my new design;
 FIG. 2 a front elevational view thereof;
 FIG. 3 is a right side view thereof;
 FIG. 4 is a left side view thereof;
 FIG. 5 is a bottom view thereof;
 FIG. 6 is a rear elevational view thereof;
 FIG. 7 is a top front perspective view thereof;
 FIG. 8 is a bottom front perspective view thereof;
 FIG. 9 is a top rear perspective view of the design of FIG. 1
 with the lid partially open;
 FIG. 10 is a top front elevational view of the design of FIG. 1
 with the lid partially open;
 FIG. 11 is a left side view of the design of FIG. 1 with the lid
 partially open;
 FIG. 12 is a top front perspective view of the design of FIG. 1
 with the lid fully open; and,
 FIG. 13 is a right side view of the design of FIG. 1 with the lid
 partially open.

1 Claim, 9 Drawing Sheets



US D606,844 S

Page 2

U.S. PATENT DOCUMENTS

5,533,237	A *	7/1996	Higgins	24/289	6,489,568	B2 *	12/2002	Arthur	174/153 G
5,690,403	A *	11/1997	Ellison et al.	312/223.6	6,600,104	B2 *	7/2003	Nakata et al.	174/660
5,765,932	A *	6/1998	Domina et al.	312/223.6	D479,118	S	9/2003	Glass	
5,806,139	A *	9/1998	Anderson et al.	16/2.1	6,660,937	B1 *	12/2003	MacLeod et al.	174/659
5,860,713	A *	1/1999	Richardson	312/223.6	6,694,566	B1	2/2004	Mockett	
5,870,799	A *	2/1999	Benda	16/2.1	7,155,775	B2 *	1/2007	Mockett	16/2.1
D406,748	S *	3/1999	Byrne	D8/356	7,222,394	B2 *	5/2007	Gardner	16/2.1
6,088,874	A *	7/2000	Nakata et al.	16/2.1	7,253,361	B2 *	8/2007	Nishijima et al.	174/72 A
D436,926	S *	1/2001	Lew	D13/152	7,464,966	B2 *	12/2008	Miyajima et al.	285/124.3
6,223,390	B1 *	5/2001	LoTufo	16/110.1	2002/0178538	A1 *	12/2002	Matsushita	16/2.1
6,457,422	B1 *	10/2002	Saul	108/50.02	2003/0131443	A1 *	7/2003	Trent	16/2.1
D465,400	S *	11/2002	Moore et al.	D8/331					

* cited by examiner

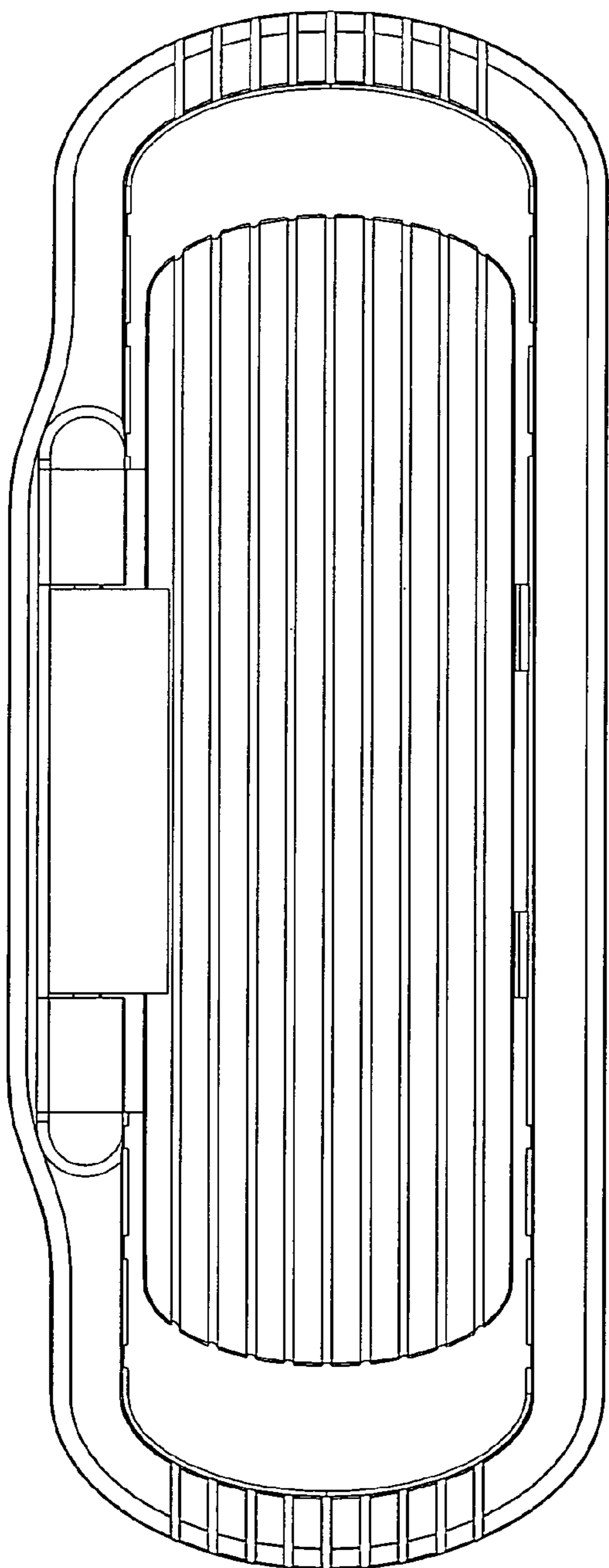


FIG. 1

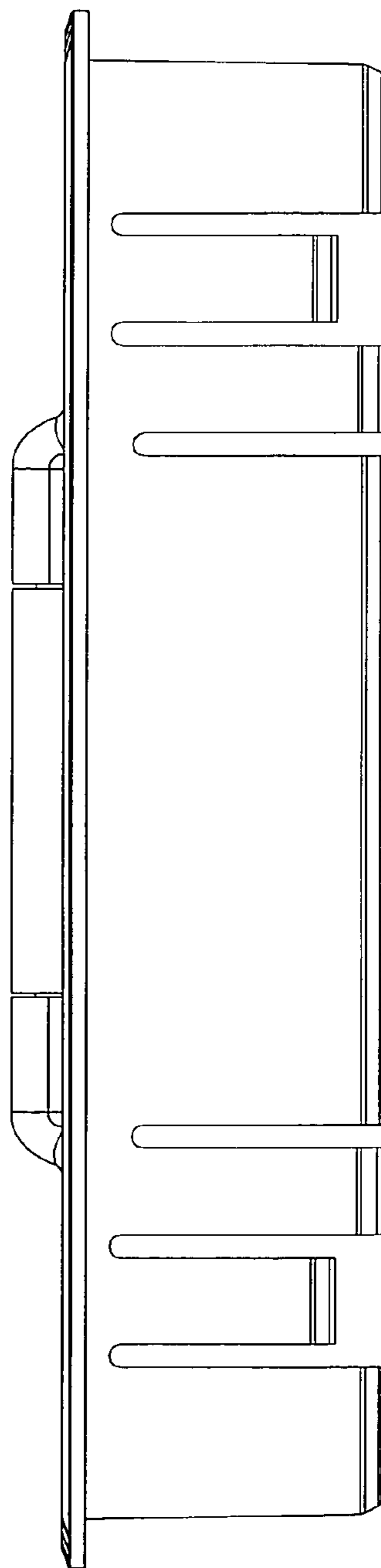


FIG. 2

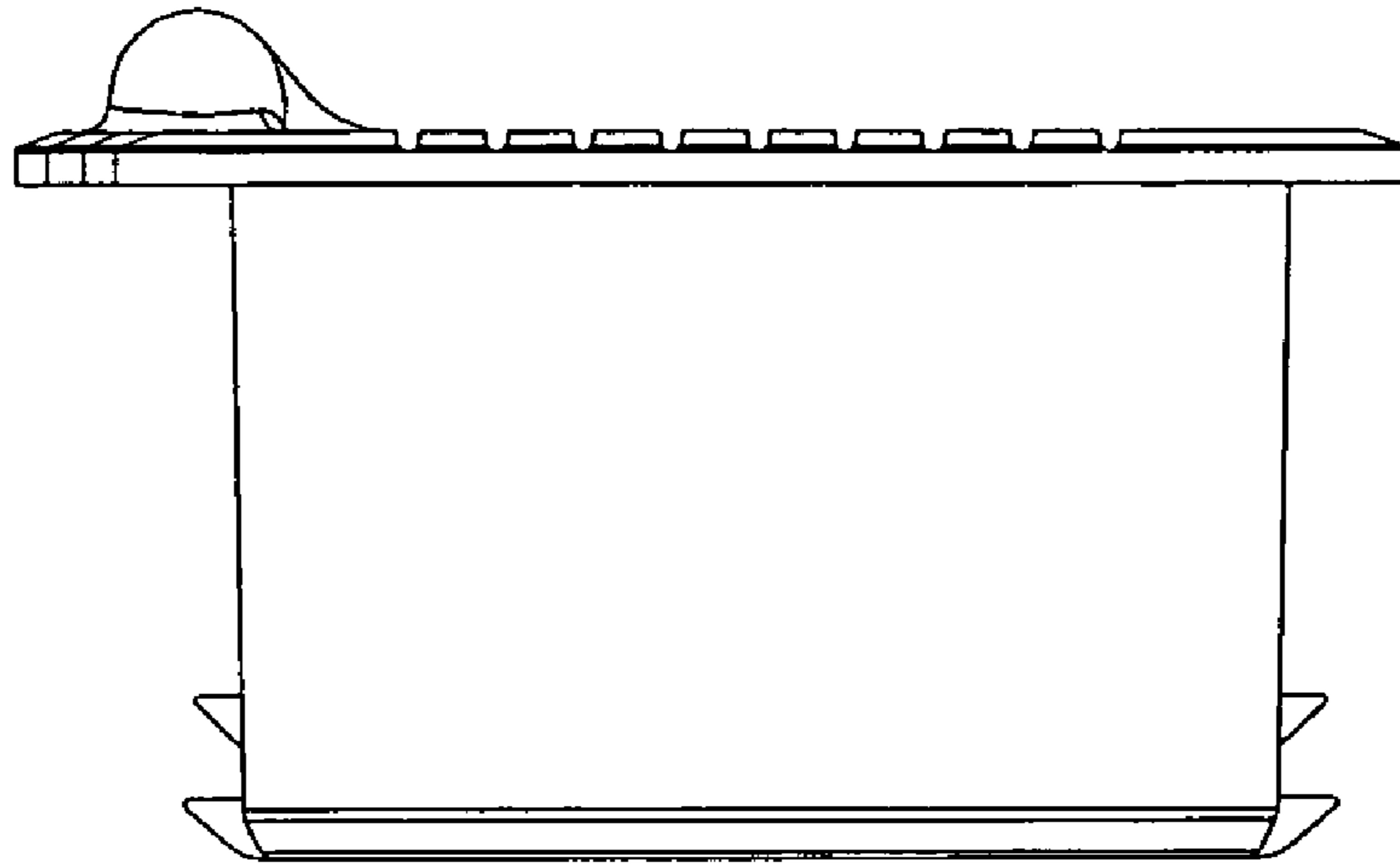


FIG. 3

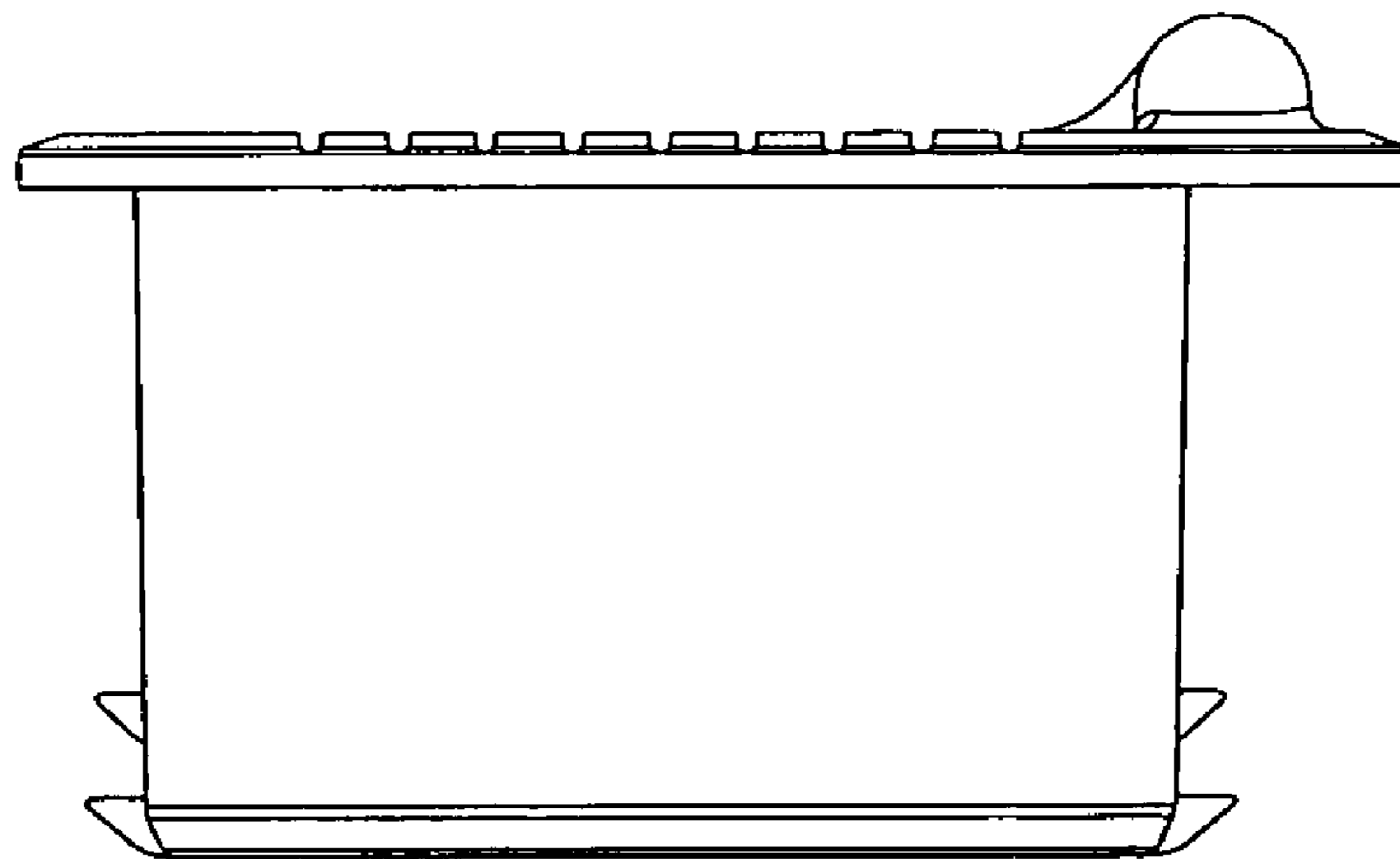


FIG. 4

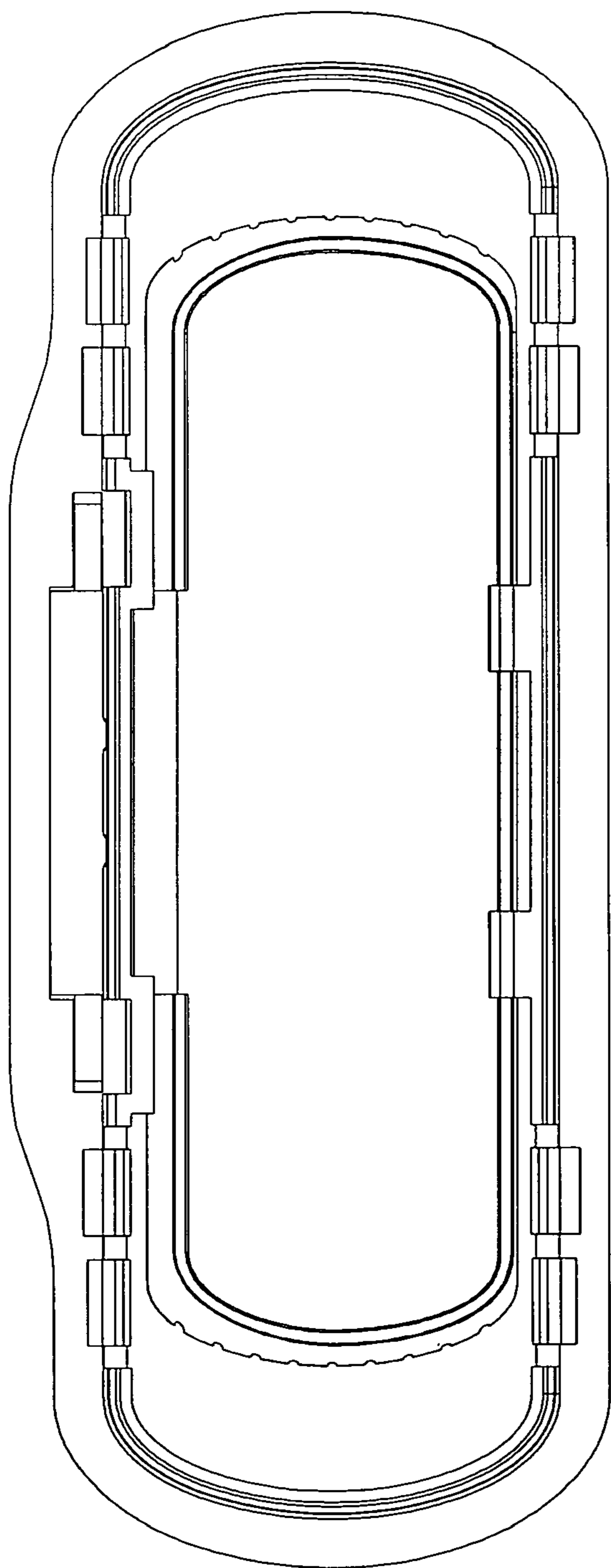


FIG. 5

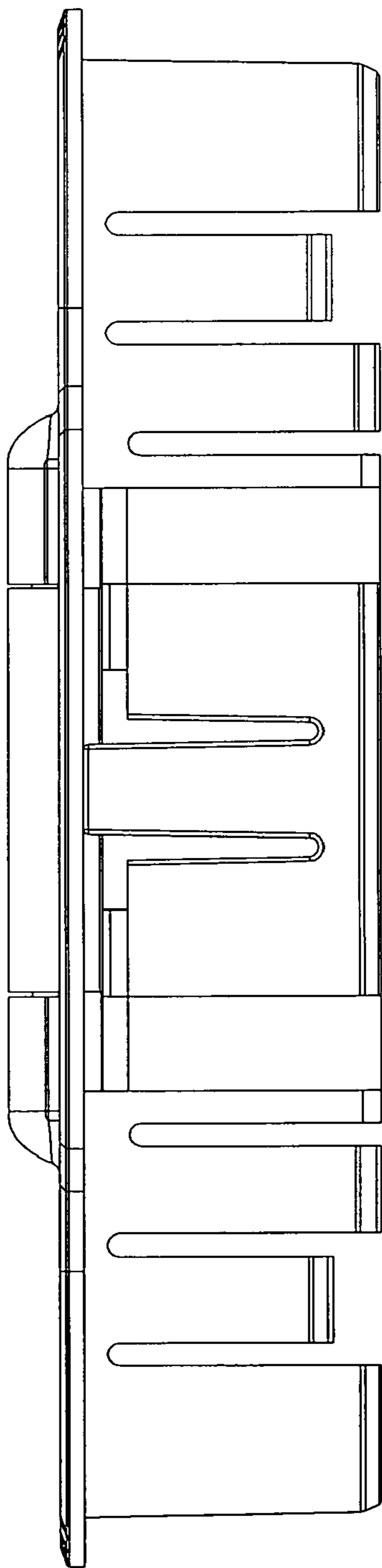


FIG. 6

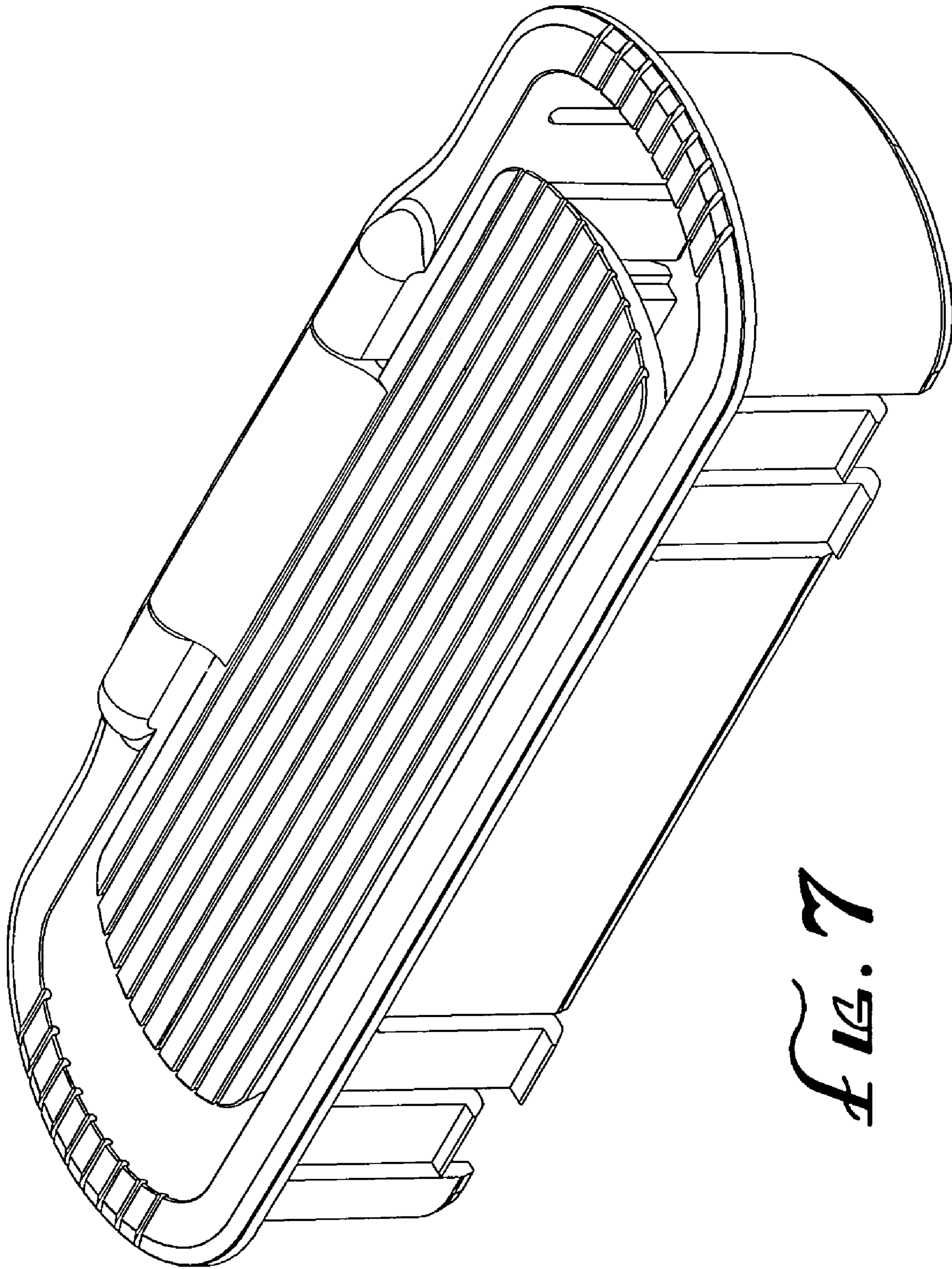


FIG. 7

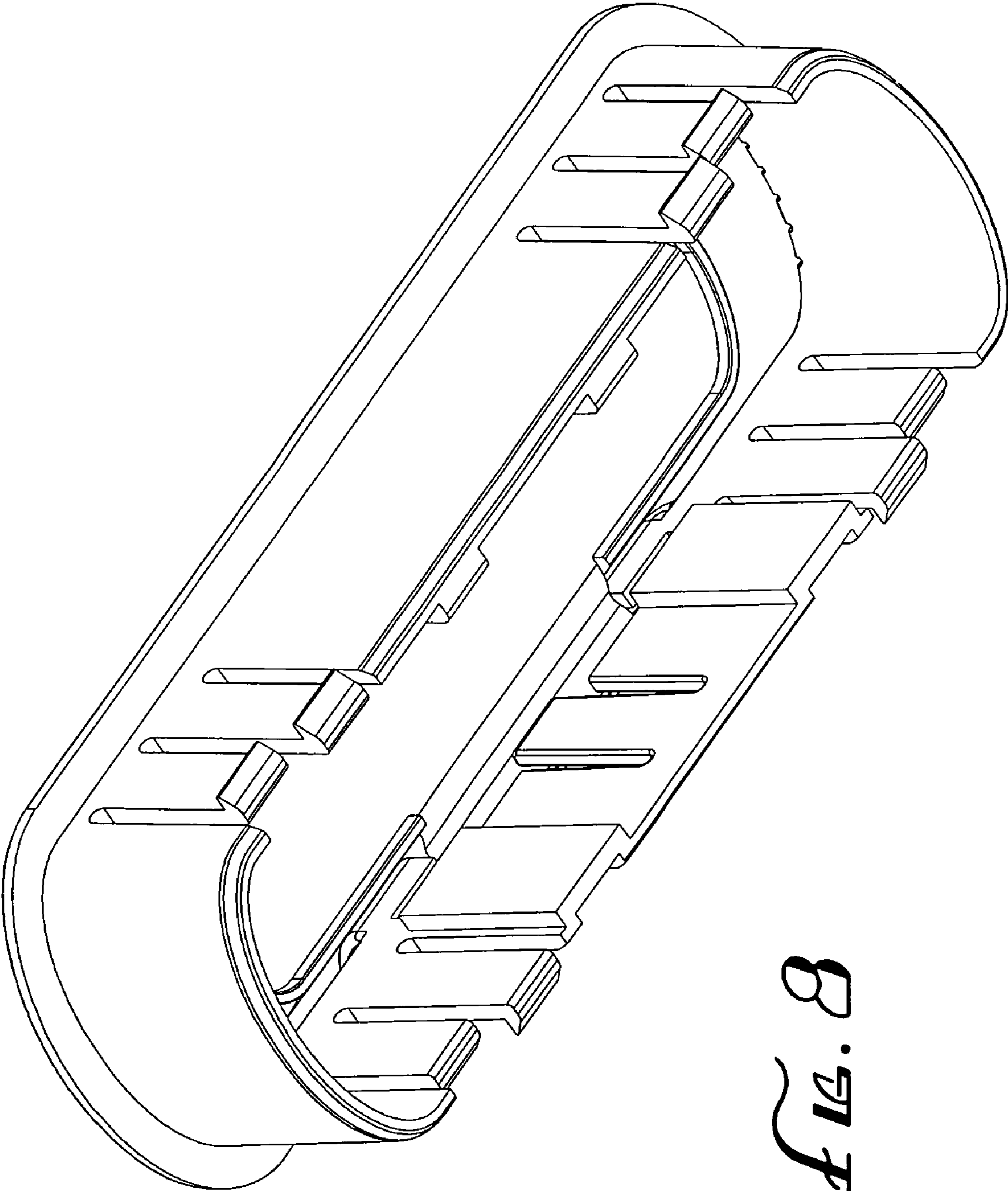


Fig. 8

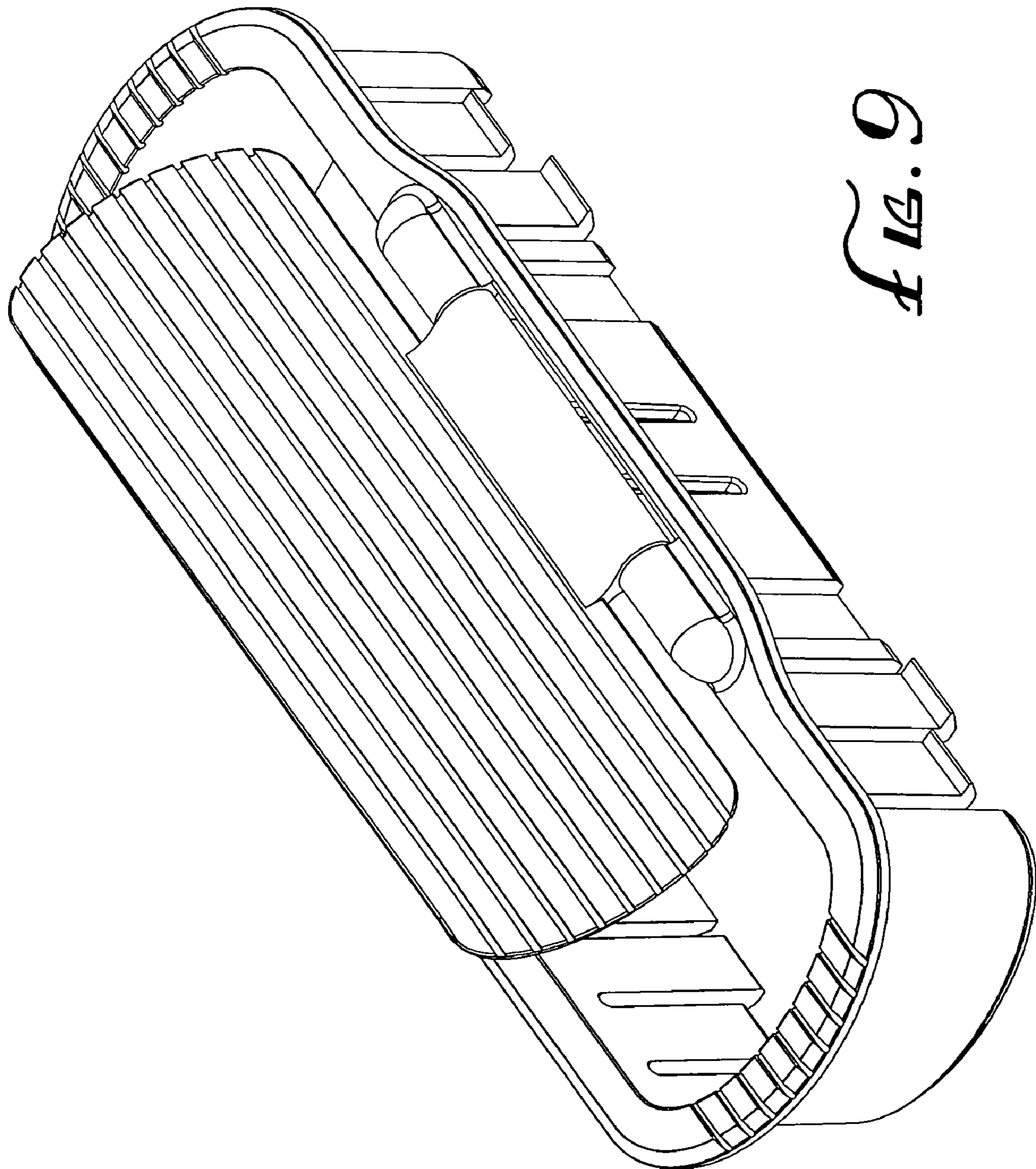


Fig. 9

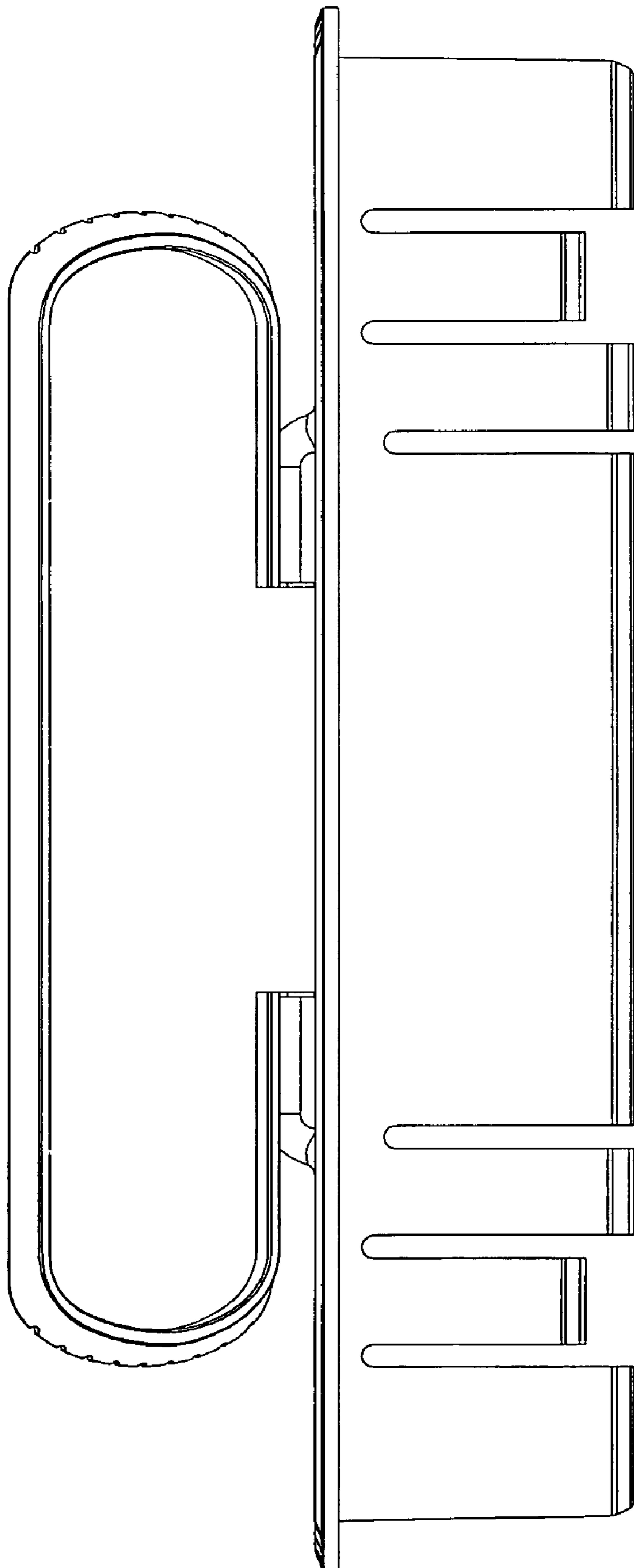


FIG. 10

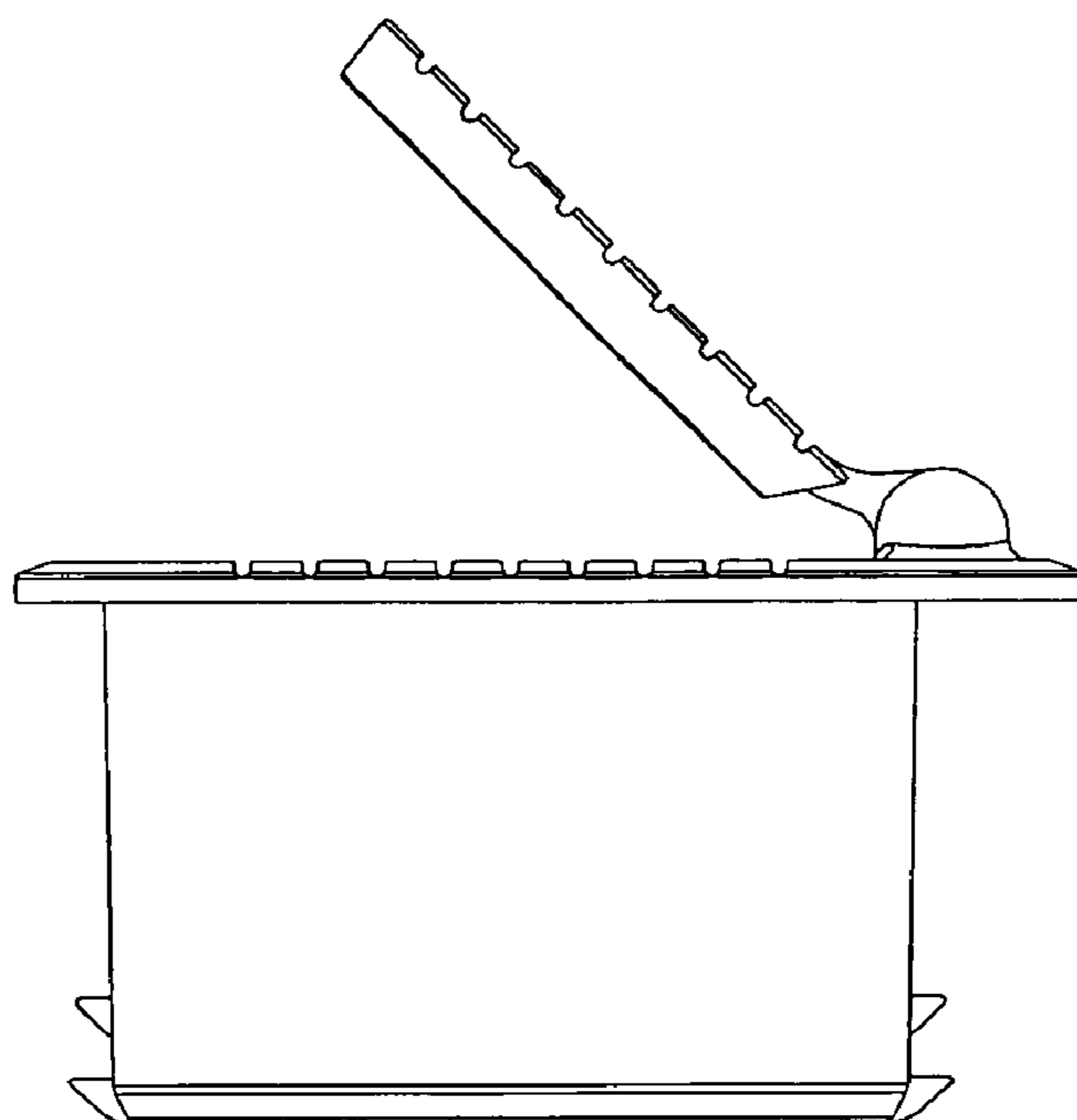


FIG. 11

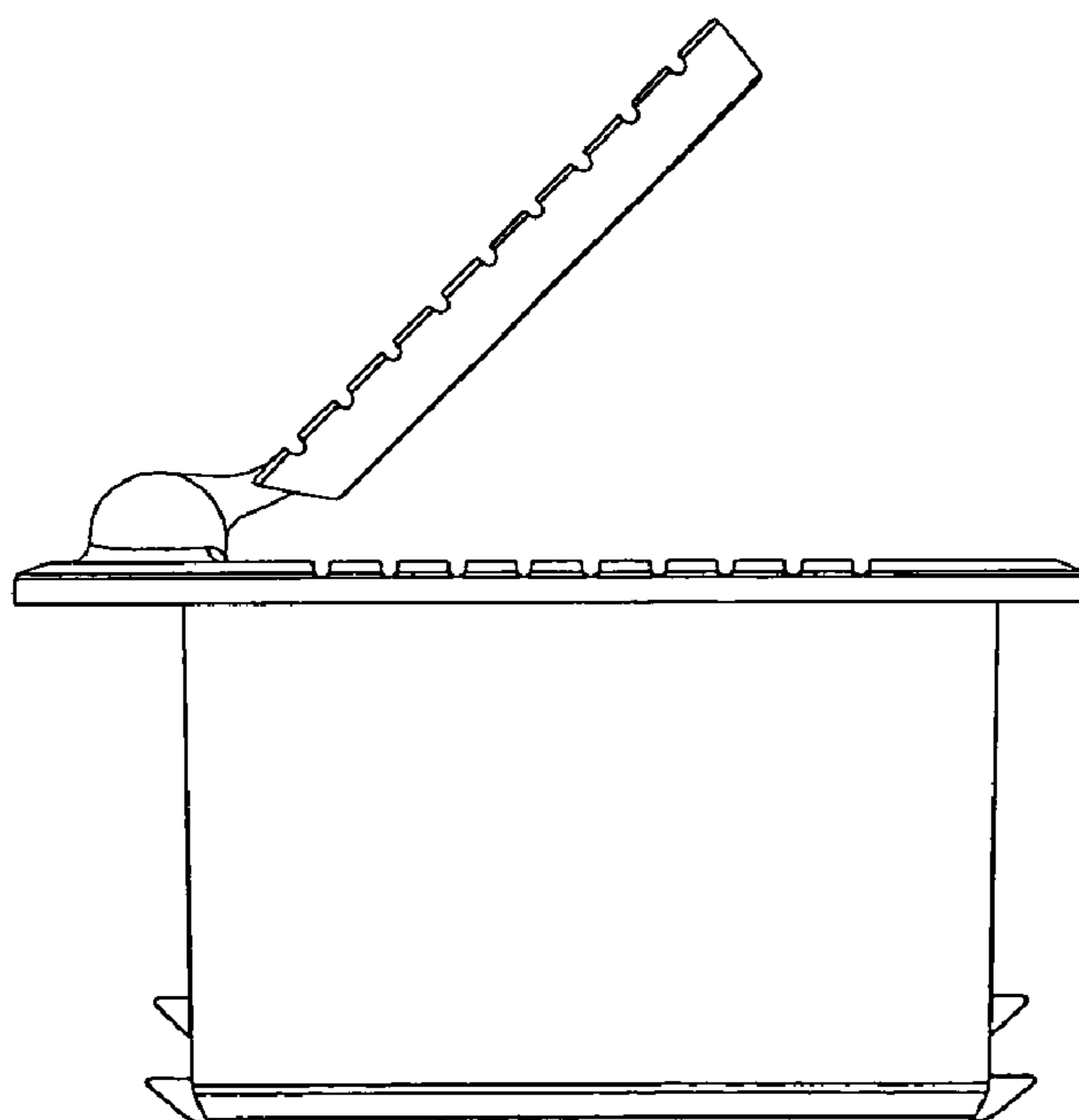


FIG. 13

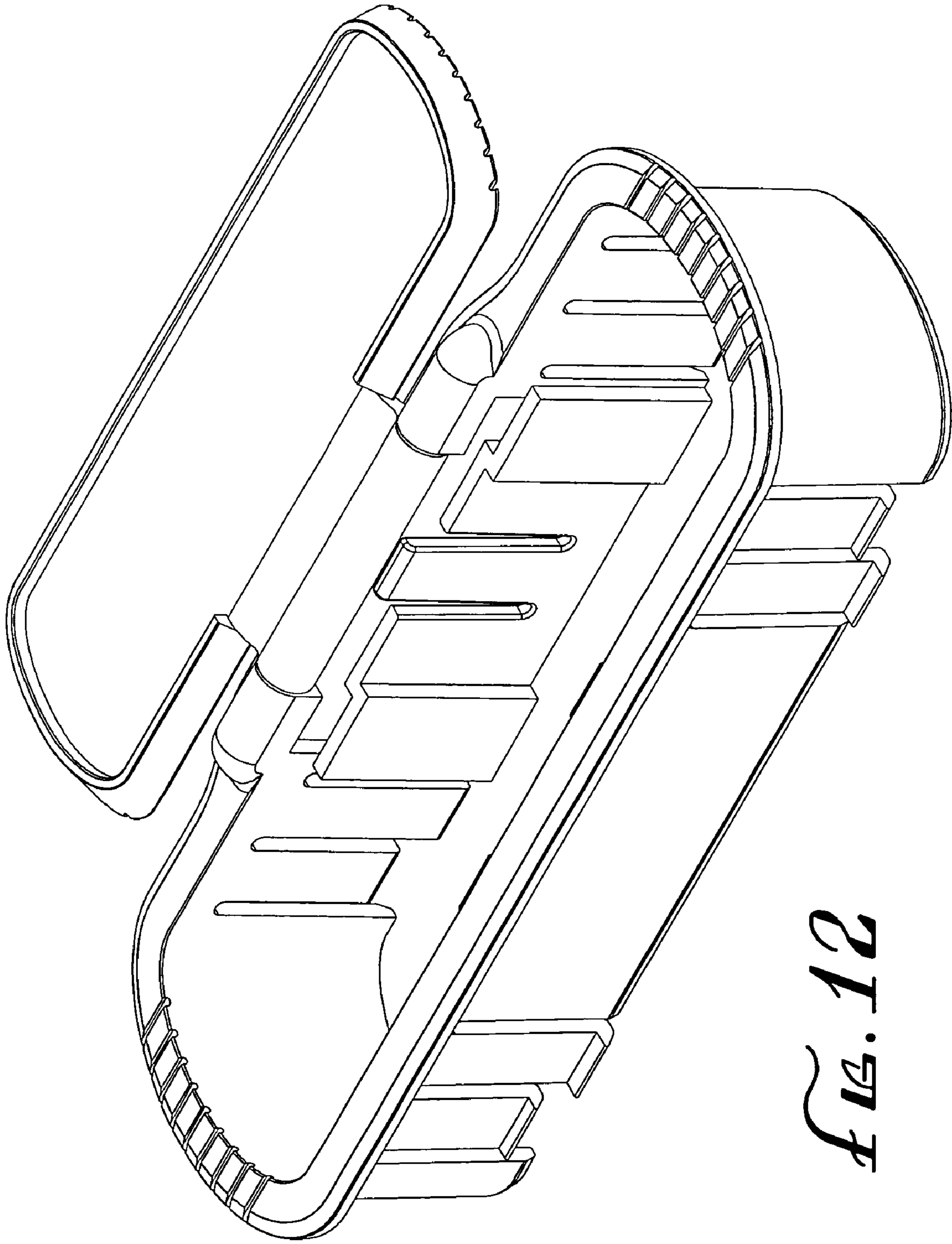


FIG. 12