



US00D606843S

(12) **United States Design Patent Grant**

(10) **Patent No.:** **US D606,843 S**

(45) **Date of Patent:** **** Dec. 29, 2009**

(54) **MULTIPLE WIRE REEL SUPPORT STAND**

(57) **CLAIM**

(76) **Inventor:** **Bruce M. Grant**, 11355 Richmond Ave., Apt. 822, Houston, TX (US) 77082

The ornamental design for a multiple wire reel support stand, as shown and described.

(**) **Term:** **14 Years**

DESCRIPTION

(21) **Appl. No.:** **29/203,484**

(22) **Filed:** **Apr. 14, 2004**

(51) **LOC (9) Cl.** **08-01**

(52) **U.S. Cl.** **D8/349**

(58) **Field of Classification Search** D8/349, D8/354; 242/129.6

See application file for complete search history.

FIG. 1 illustrates two multiple wire reel support stands supporting a reel support rod.

FIG. 2 illustrates three multiple wire reel support stands supporting two reel support rods.

FIG. 3 is a front view of a multiple wire reel support stand.

FIG. 4 is a rear view of the embodiment shown in FIG. 3; and,

FIG. 5 is a top view of the embodiment shown in FIG. 3.

The surface(s) or portion(s) of the article not shown in the drawings or described in the specification form(s) no part of the claimed design. The broken line showing is for illustrative purposes only and forms no part of the claimed design.

Thus, multiple embodiments are disclosed herein as contemplated by MPEP Section No. 1504.05. Such multiple embodiments involve a single inventive concept.

(56) **References Cited**

U.S. PATENT DOCUMENTS

4,752,047 A * 6/1988 Franks, Jr. 242/129.6

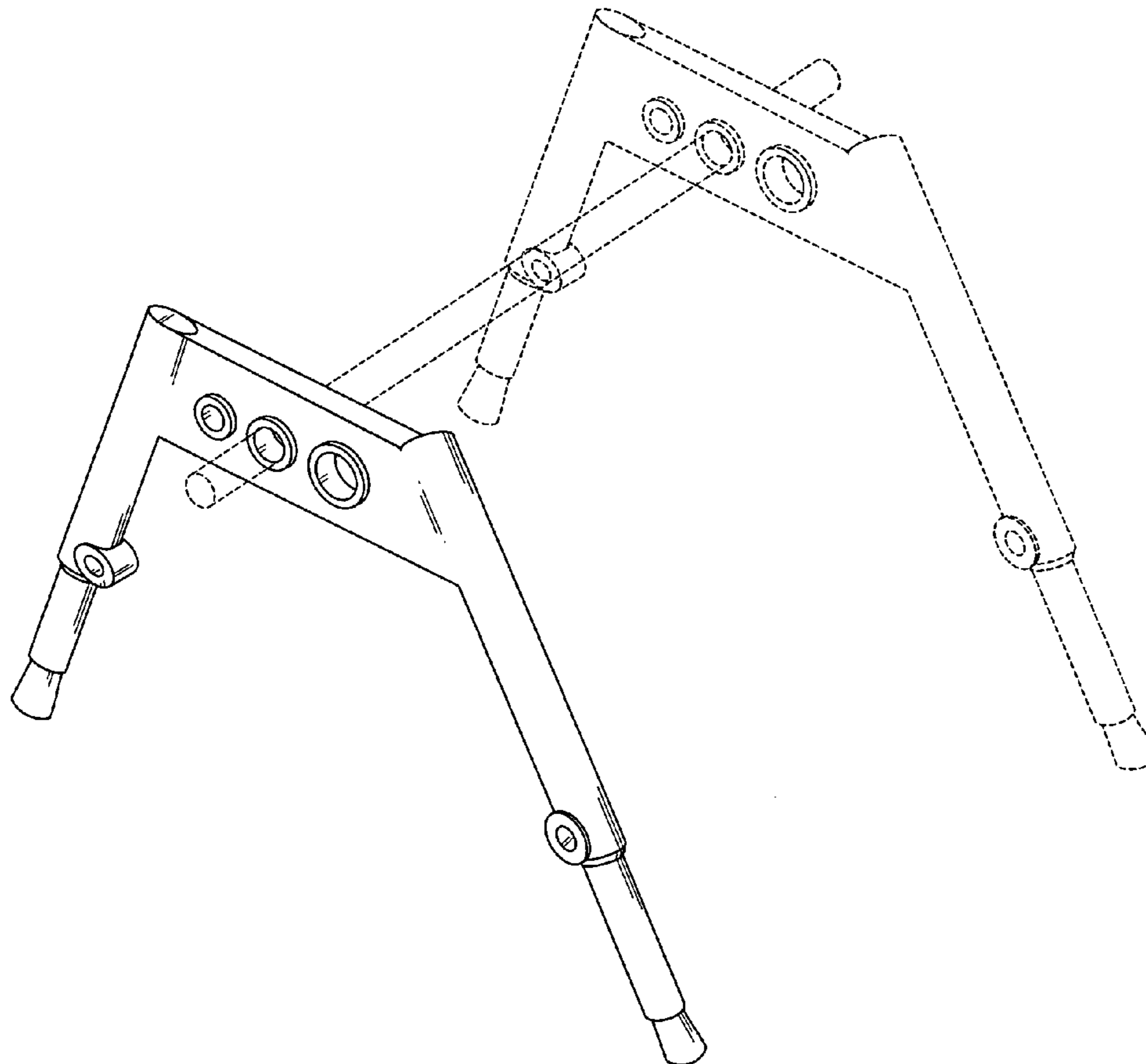
D332,738 S * 1/1993 Bloom D8/380

* cited by examiner

Primary Examiner—Holly H Baynham

(74) *Attorney, Agent, or Firm*—Matthews, Lawson & Bowick, PLLC

1 Claim, 4 Drawing Sheets



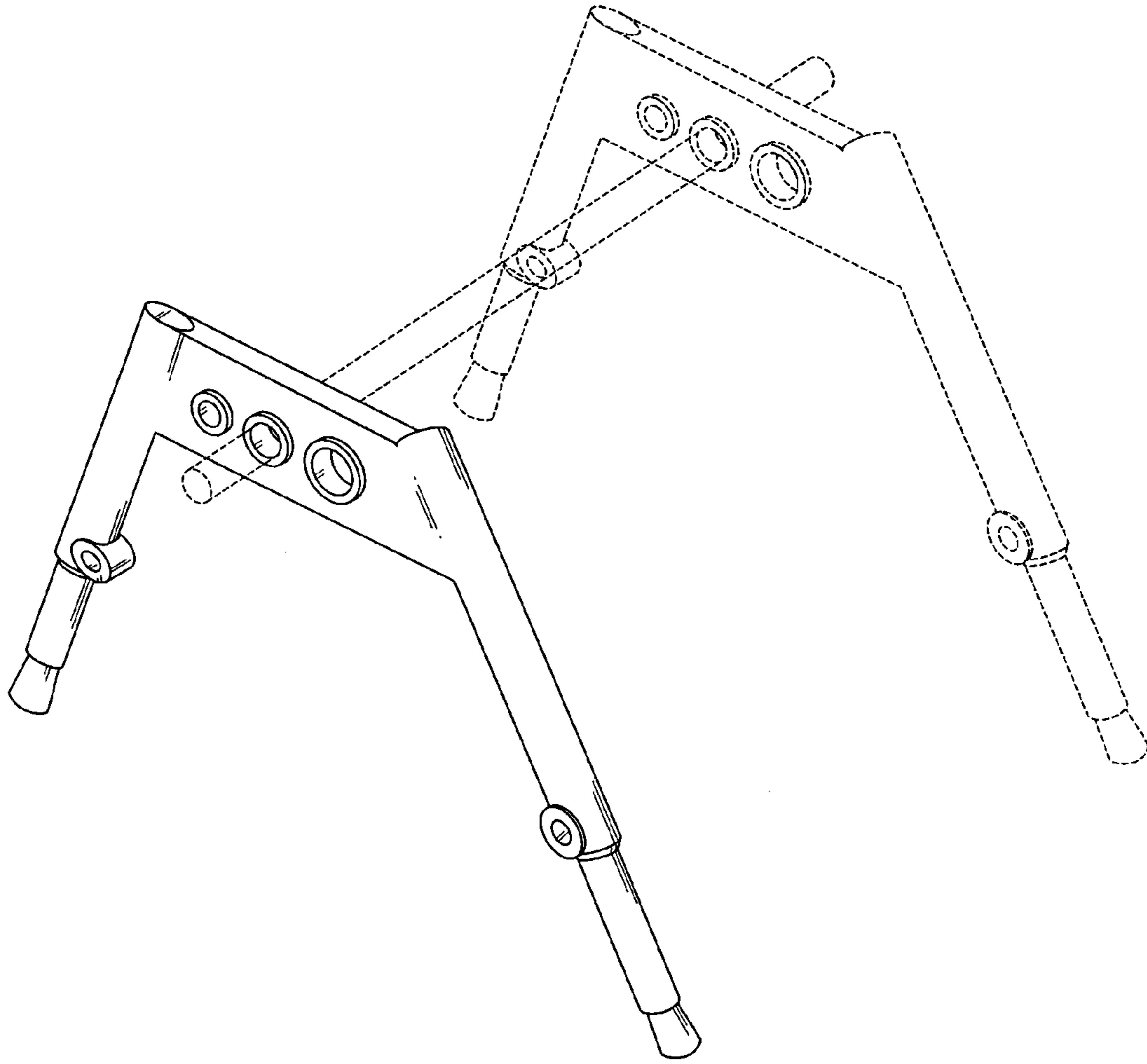


FIG. 1

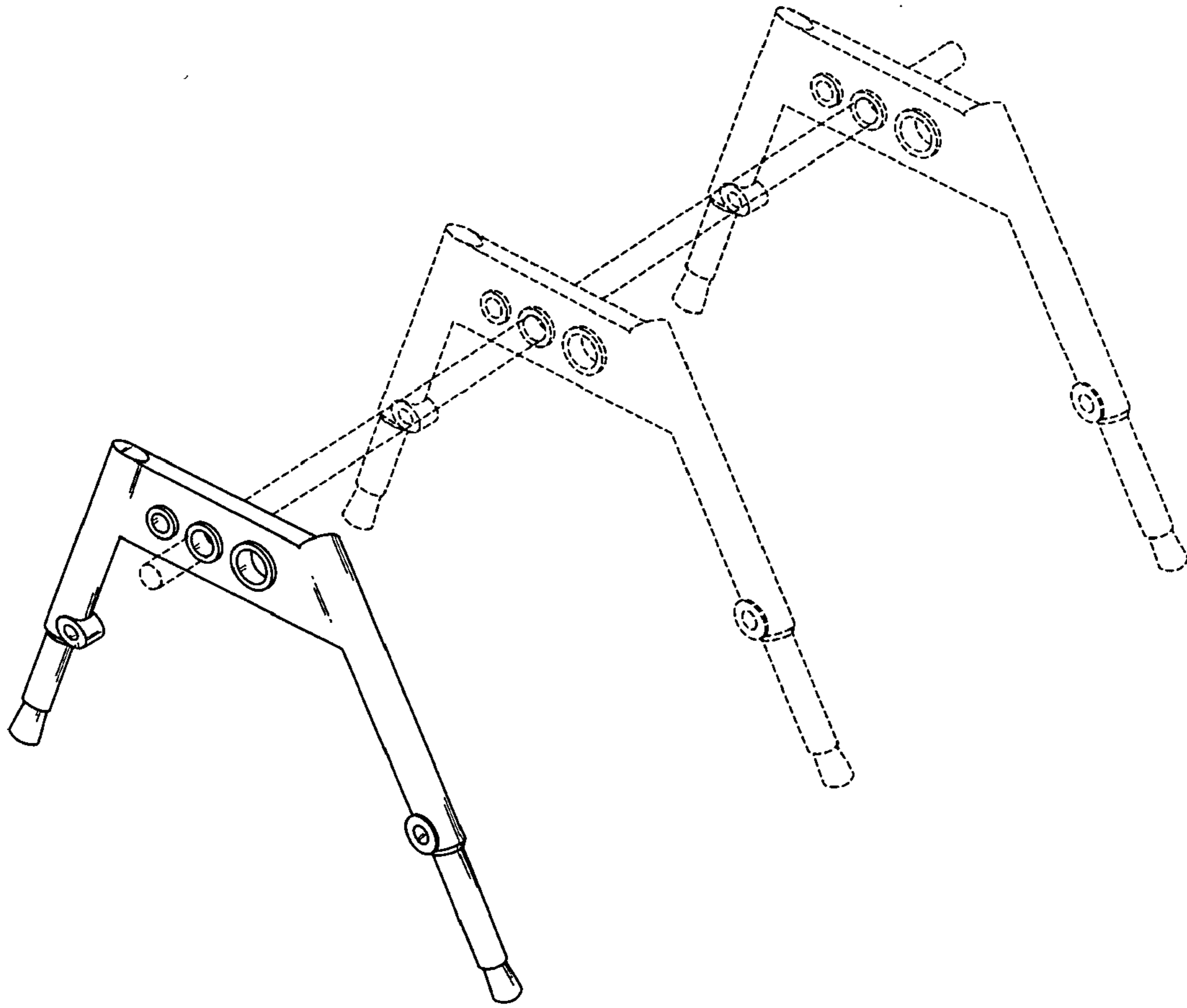


FIG. 2

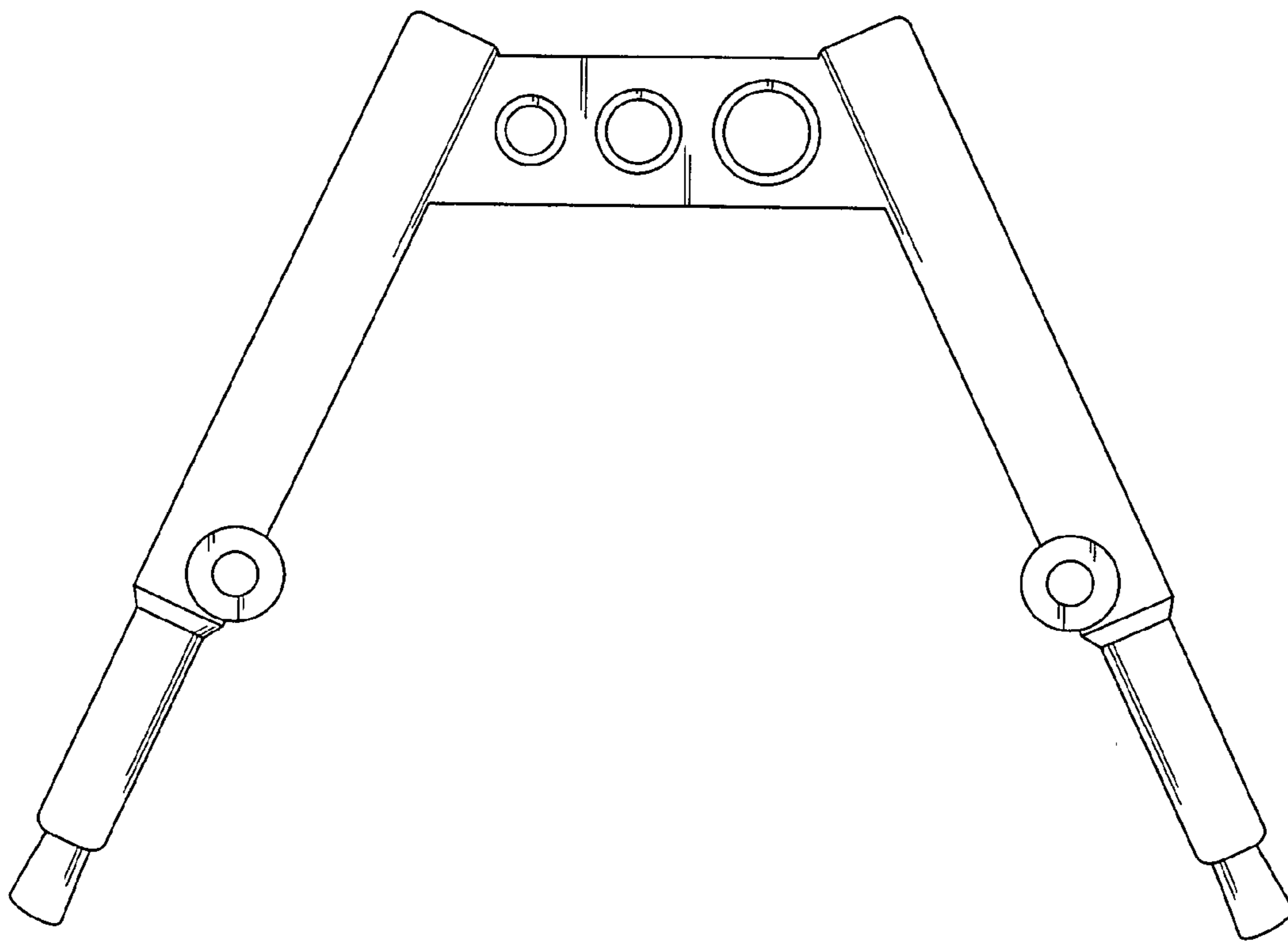


FIG. 3

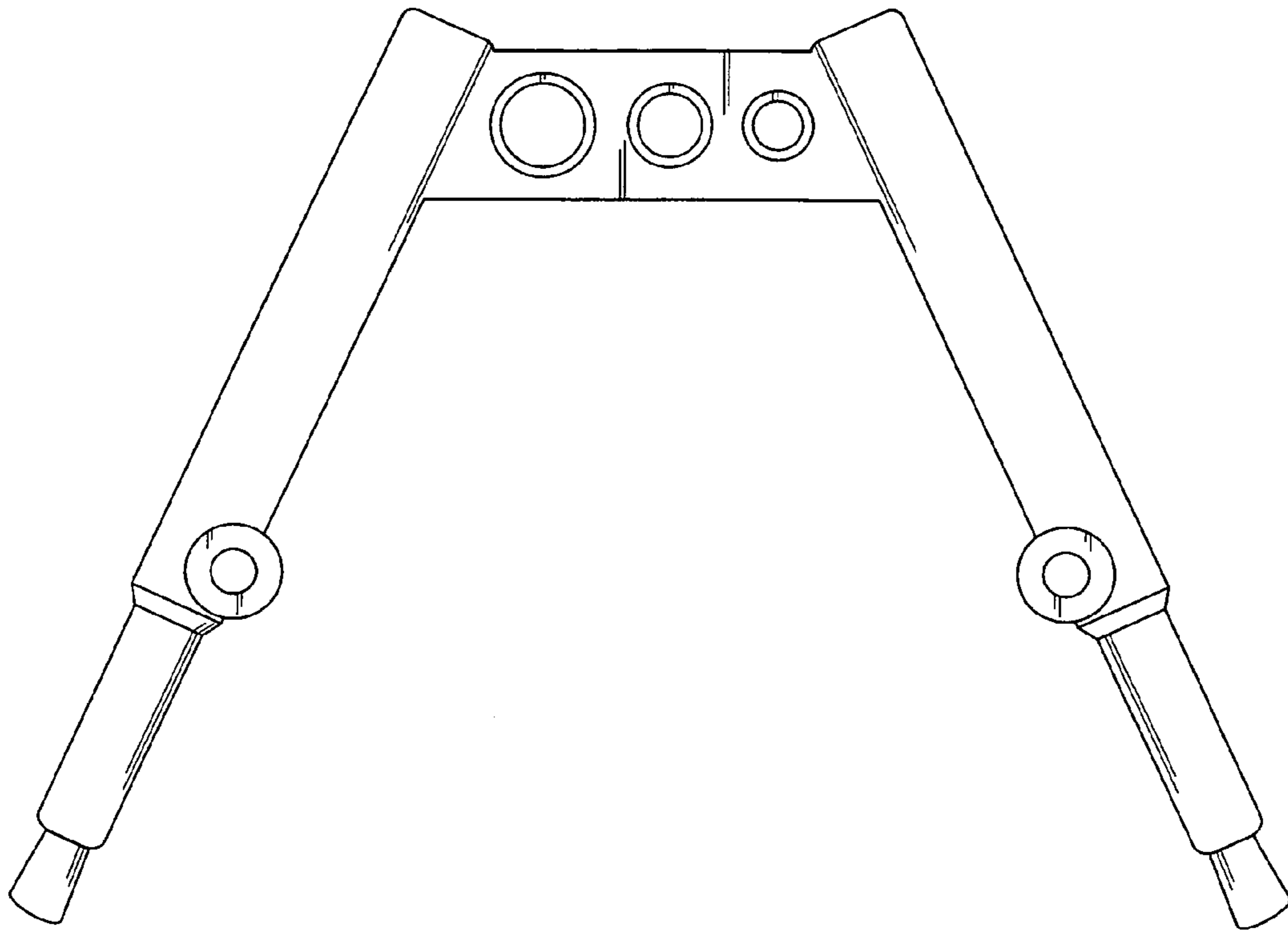


FIG. 4

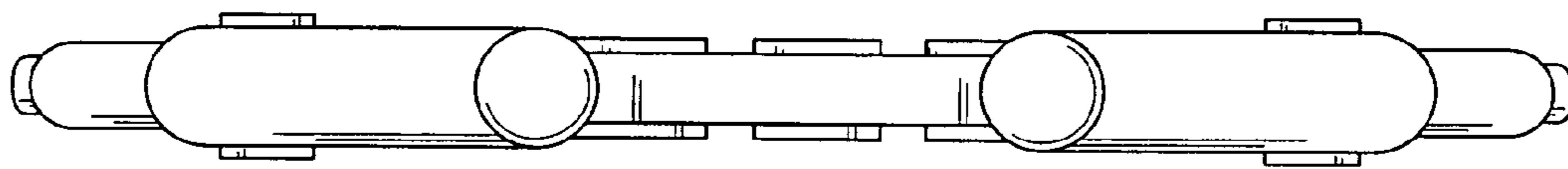


FIG. 5