



US00D606841S

(12) **United States Design Patent**
Stevens

(10) **Patent No.:** **US D606,841 S**

(45) **Date of Patent:** **** Dec. 29, 2009**

(54) **LOCK**

D587,986 S * 3/2009 Zorc et al. D8/343

(75) Inventor: **Scott B. Stevens**, Mukwonago, WI (US)

(73) Assignee: **Master Lock Company LLC**, Oak Creek, WI (US)

(**) Term: **14 Years**

(21) Appl. No.: **29/337,291**

(22) Filed: **May 19, 2009**

(51) **LOC (9) Cl.** **08-07**

(52) **U.S. Cl.** **D8/334; D8/331**

(58) **Field of Classification Search** D8/330,
D8/331, 334, 338, 336, 345, 339; 70/14,
70/18, 20, 24, 25, 31, 35, 38 R, 38 A, 38 B,
70/38 C, 51-56, 91, 141, DIG. 3, DIG. 4,
70/DIG. 43, DIG. 56

See application file for complete search history.

(56) **References Cited**

U.S. PATENT DOCUMENTS

D143,245 S *	12/1945	Soref	D8/334
4,224,813 A *	9/1980	Hampton	70/51
4,226,100 A *	10/1980	Hampton et al.	70/51
D423,908 S *	5/2000	Liu	D8/334
D449,509 S *	10/2001	Liu	D8/334
D484,391 S	12/2003	Hackbarth et al.		
6,766,673 B2 *	7/2004	Gast et al.	70/38 A
6,769,277 B1 *	8/2004	Chang	70/52
D537,320 S	2/2007	Kearns et al.		
D537,703 S	3/2007	Kearns et al.		
D547,161 S	7/2007	Blomstrom et al.		
D566,521 S	4/2008	Rohde et al.		
D577,278 S	9/2008	Rohde et al.		
D578,864 S	10/2008	Rohde et al.		
7,481,085 B2	1/2009	Rohde et al.		
D587,985 S *	3/2009	Zorc et al.	D8/343

OTHER PUBLICATIONS

Federal Co. Co., Ltd, Euro Profile Style Padlock, screen print from website, May 1, 2008.

* cited by examiner

Primary Examiner—Prabhakar Deshmukh

(74) *Attorney, Agent, or Firm*—Calfee, Halter & Griswold LLP

(57) **CLAIM**

I claim the ornamental design for a lock, as shown and described.

DESCRIPTION

FIG. 1 is a front perspective view of a lock showing the new design;

FIG. 2 is a top view of the lock of FIG. 1;

FIG. 3 is a front view of the lock of FIG. 1;

FIG. 4 is a rear view of the lock of FIG. 1;

FIG. 5 is a bottom view of the lock of FIG. 1;

FIG. 6 is a right side view of the lock of FIG. 1;

FIG. 7 is a left side view of the lock of FIG. 1;

FIG. 8 is a front perspective view of another lock showing the new design;

FIG. 9 is a top view of the lock of FIG. 8;

FIG. 10 is a front view of the lock of FIG. 8;

FIG. 11 is a rear view of the lock of FIG. 8;

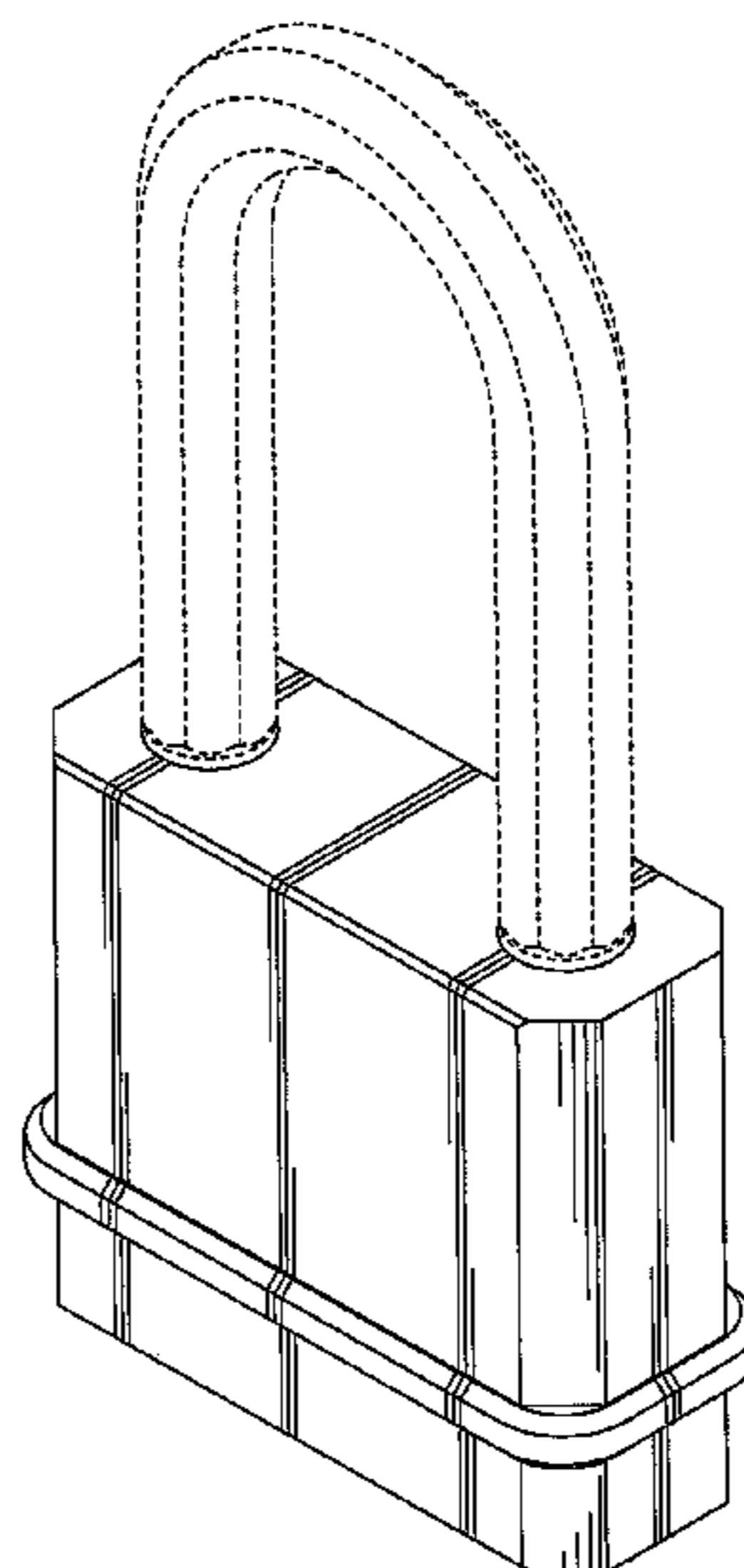
FIG. 12 is a bottom view of the lock of FIG. 8;

FIG. 13 is right side view of the lock of FIG. 8; and,

FIG. 14 is a left side view of the lock of FIG. 8.

The portions of the Figures shown in broken lines are for illustrative purpose only and form no part of the claimed design.

1 Claim, 8 Drawing Sheets



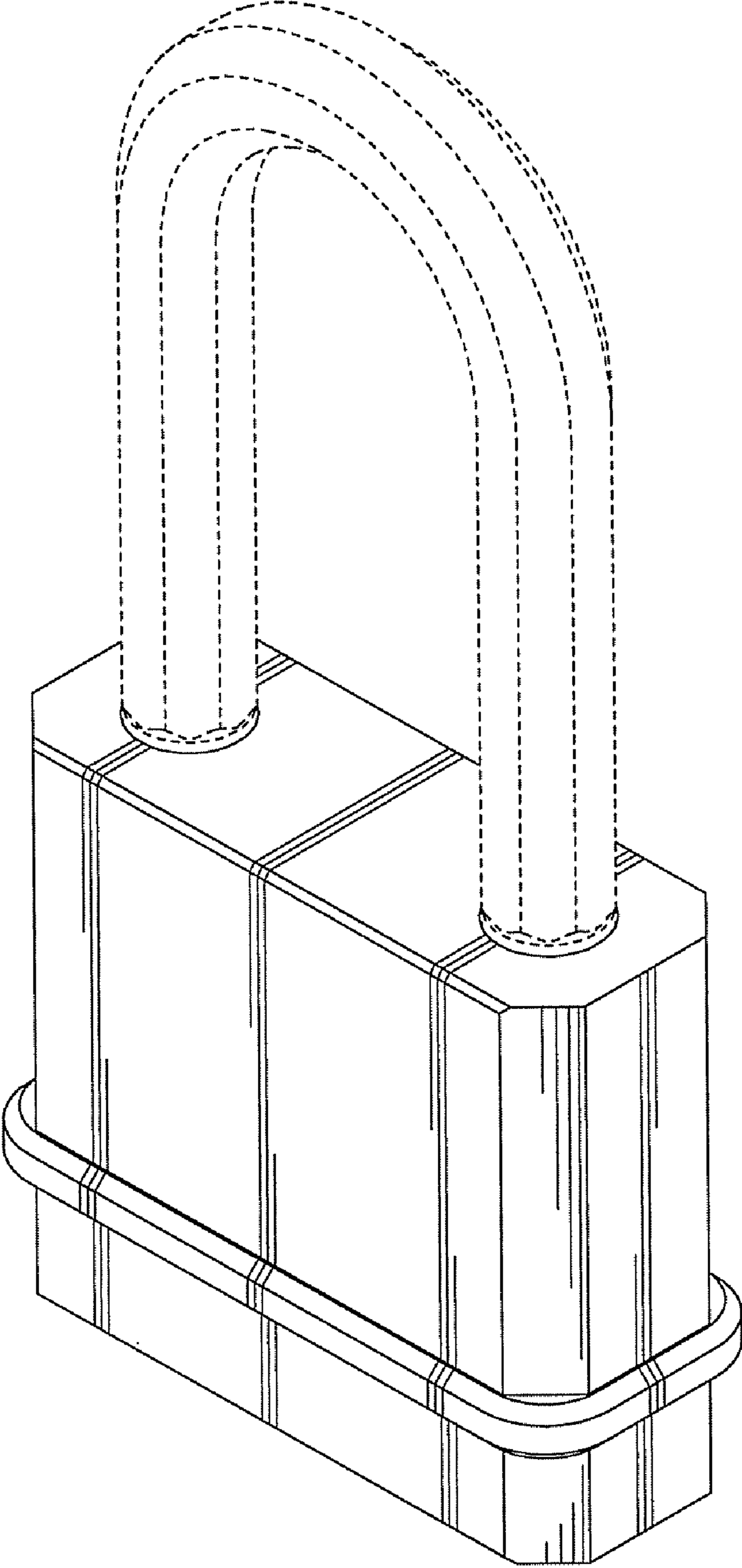


FIG. 1

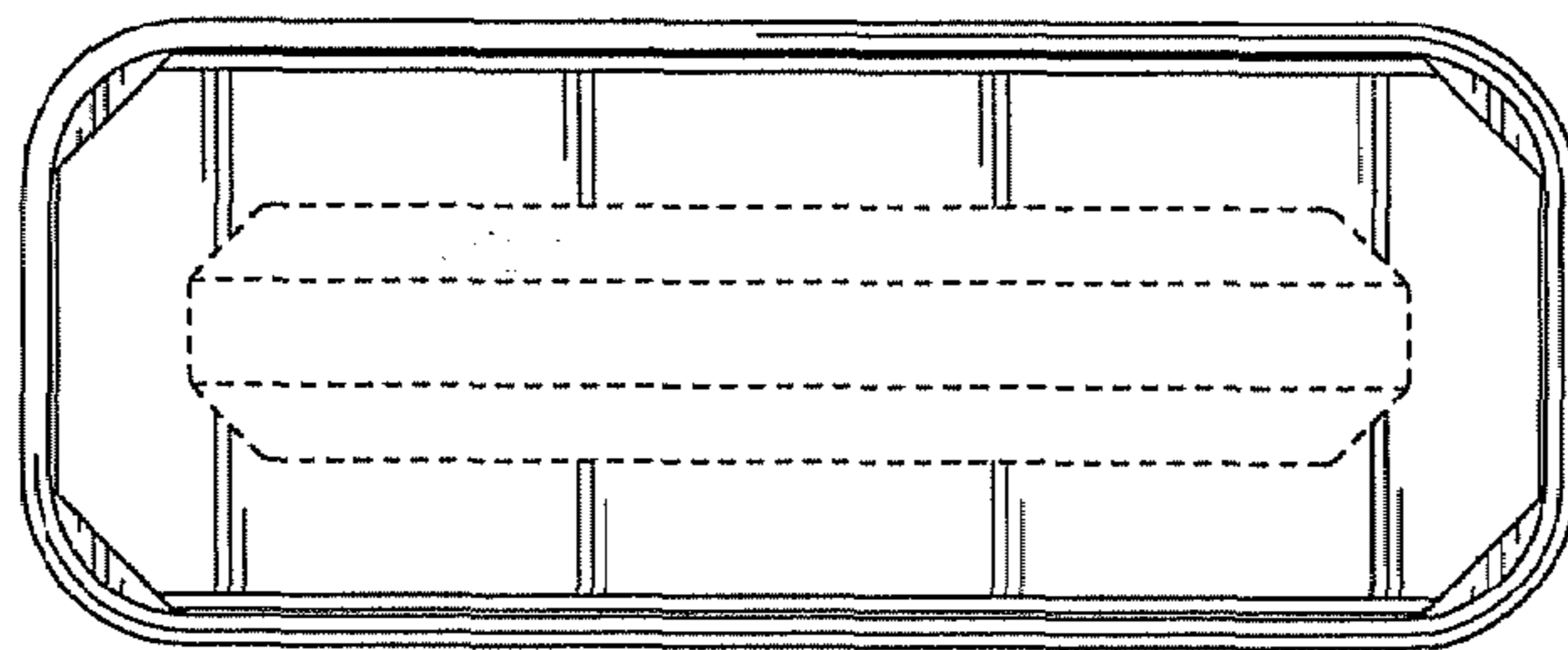


FIG. 2

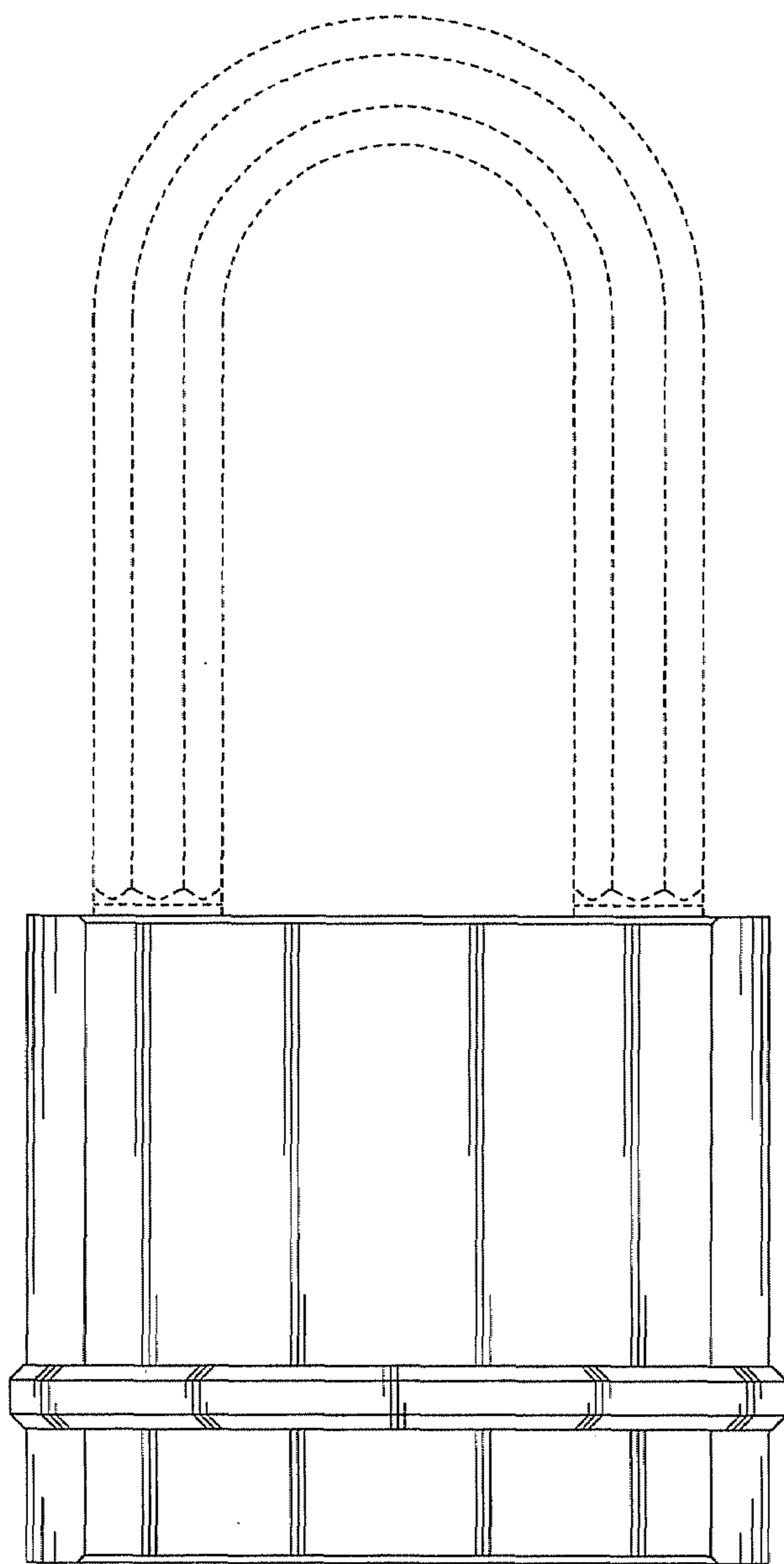


FIG. 3

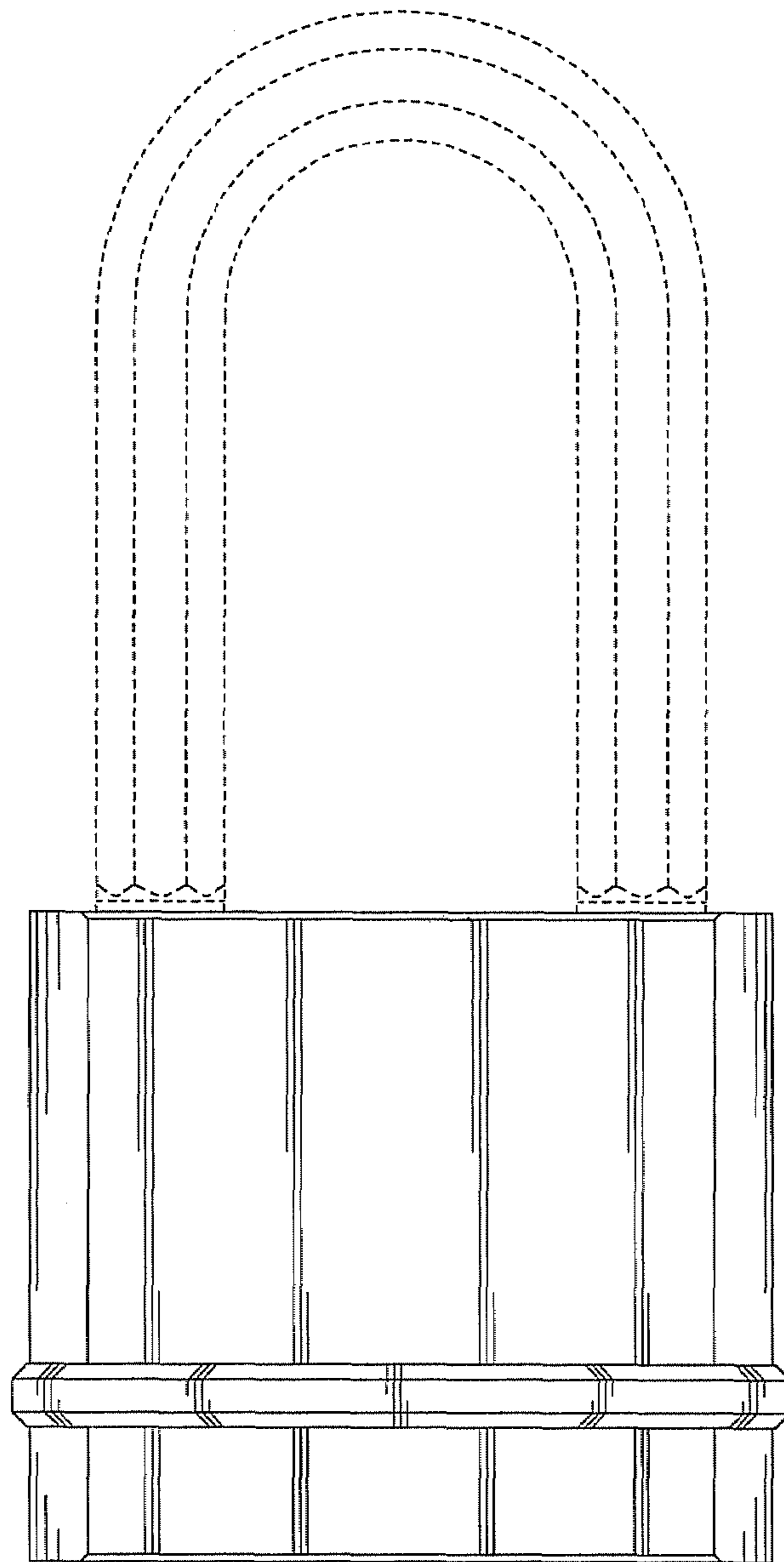


FIG. 4

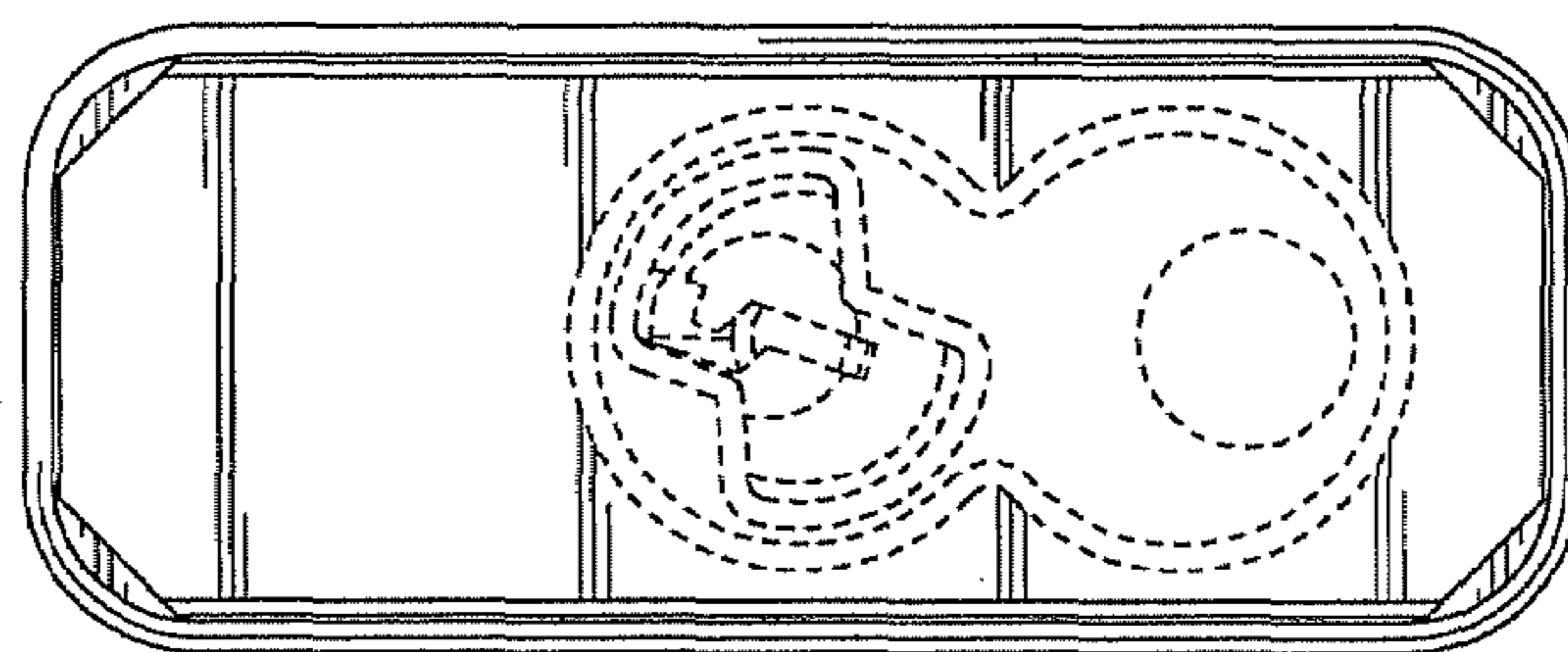


FIG. 5

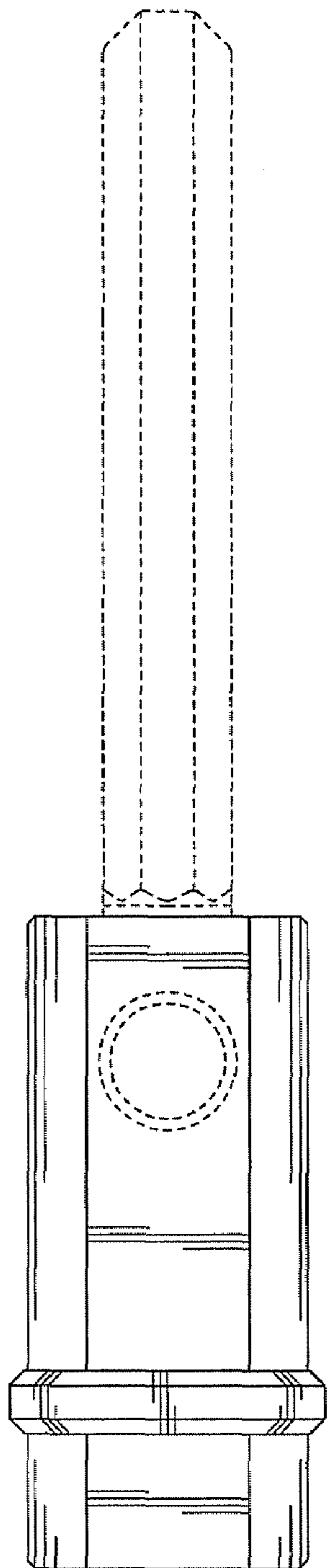


FIG. 6

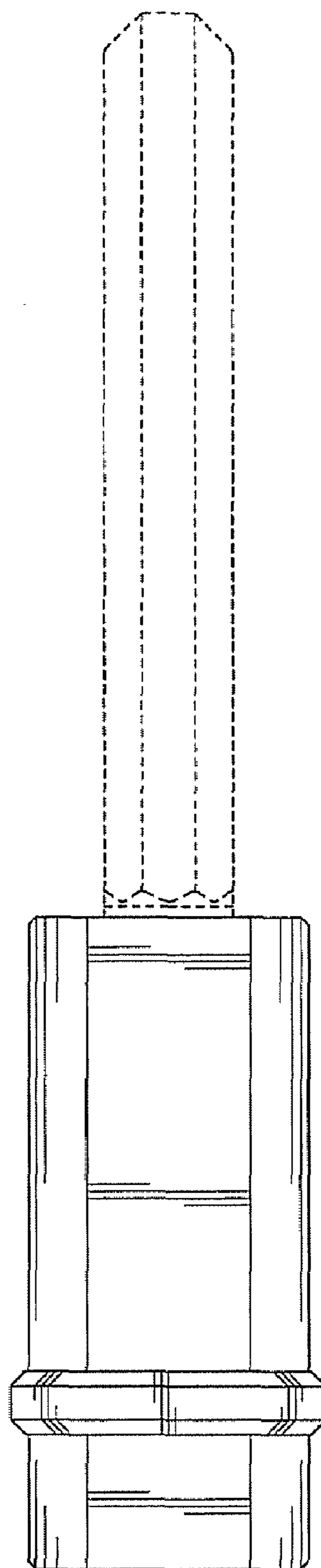


FIG. 7

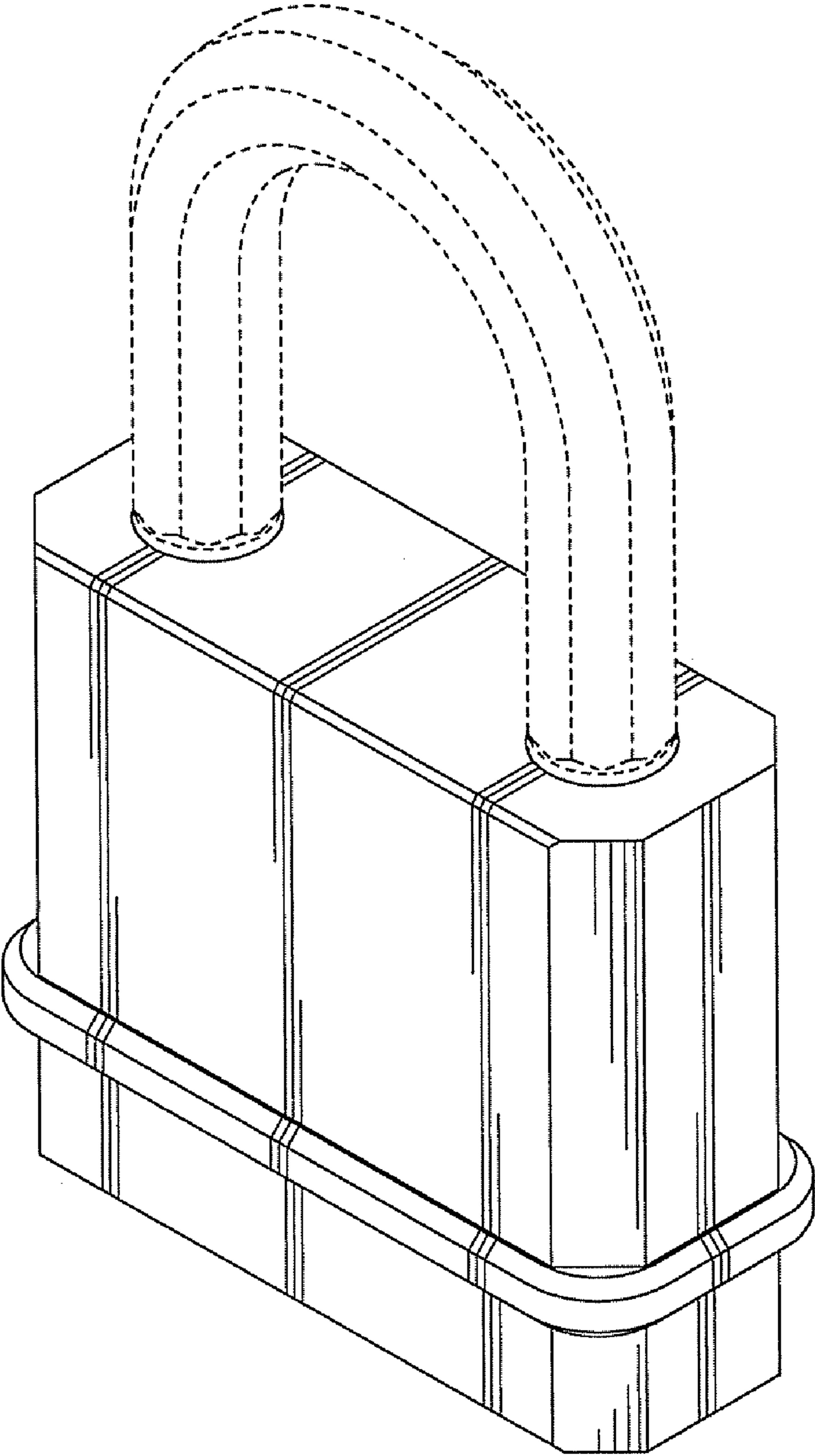


FIG. 8

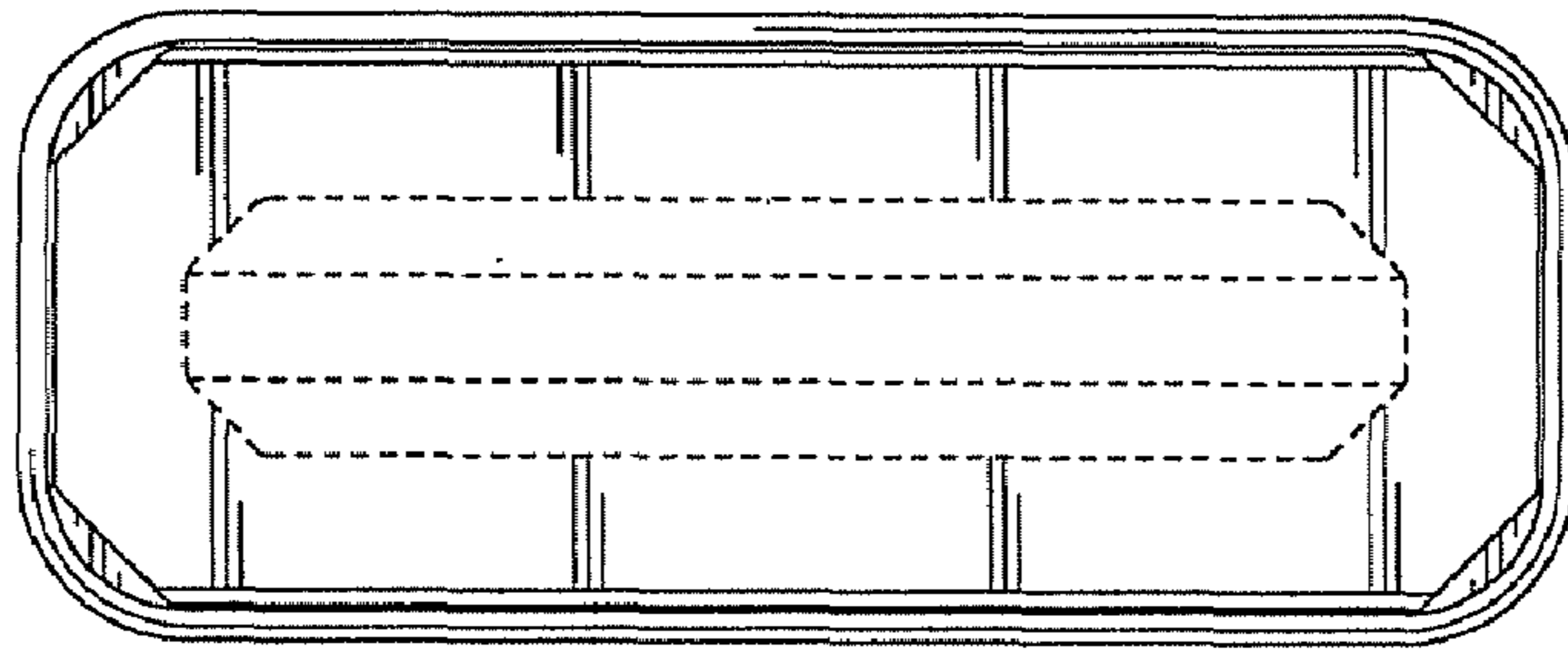


FIG. 9

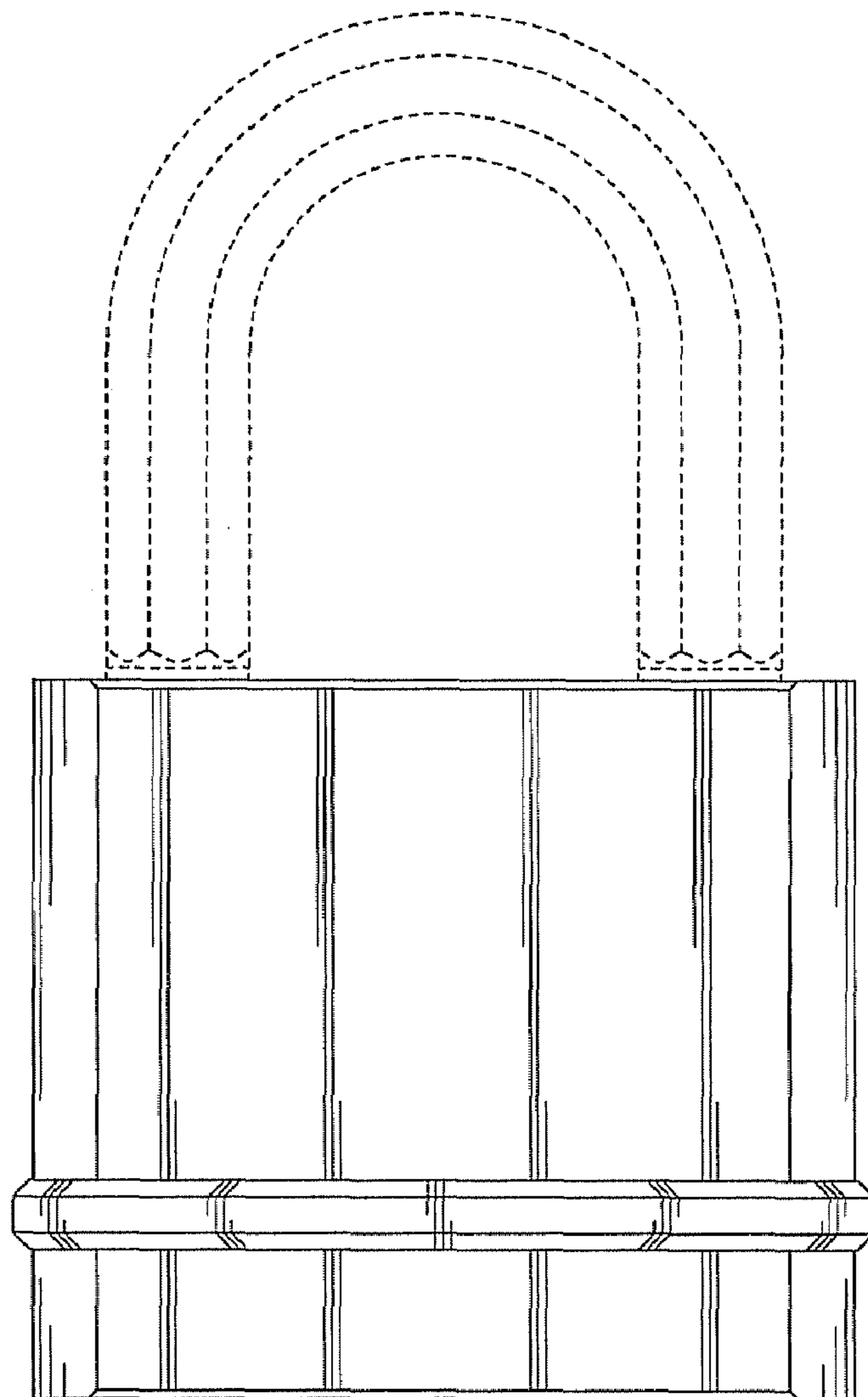


FIG. 10

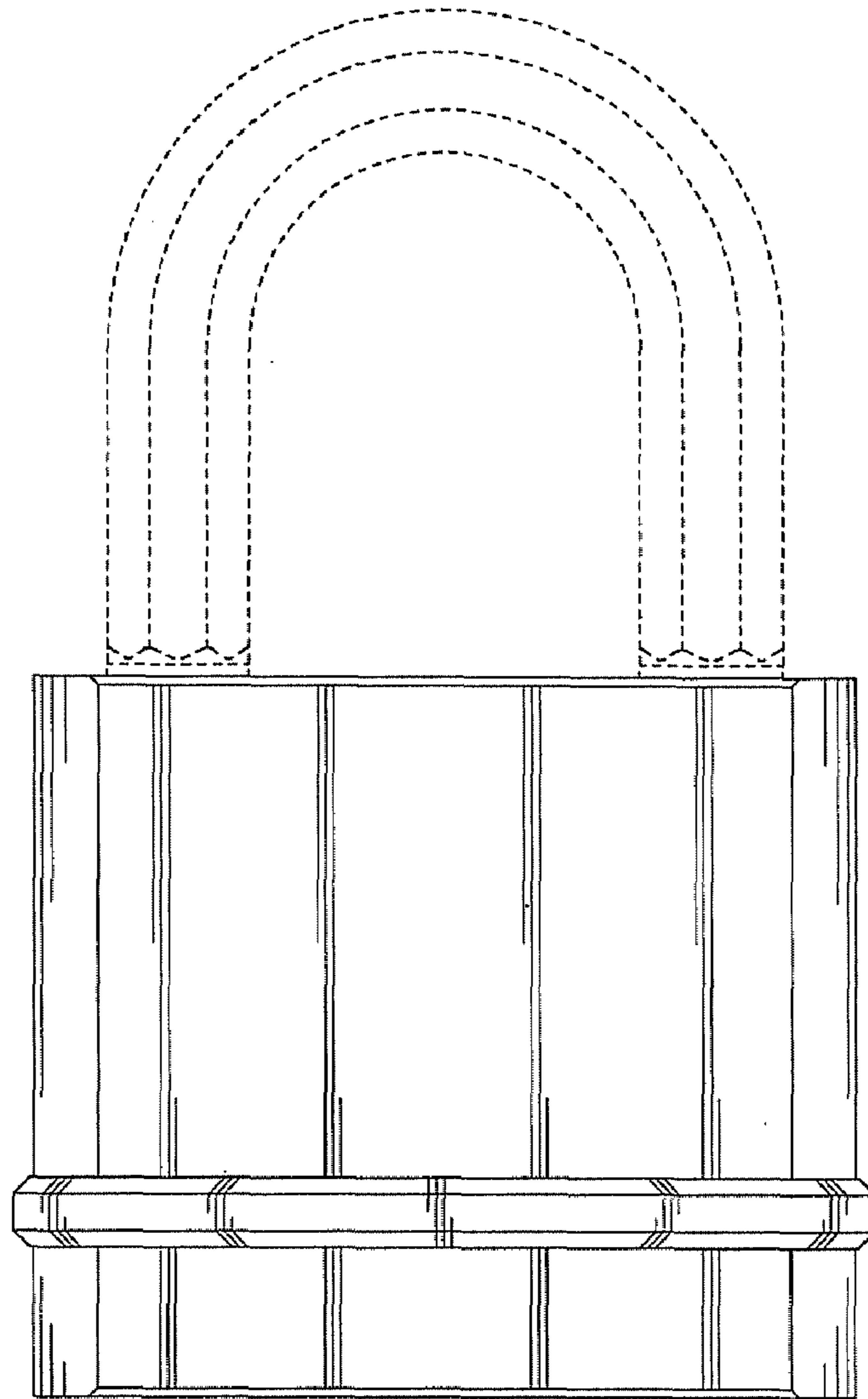


FIG. 11

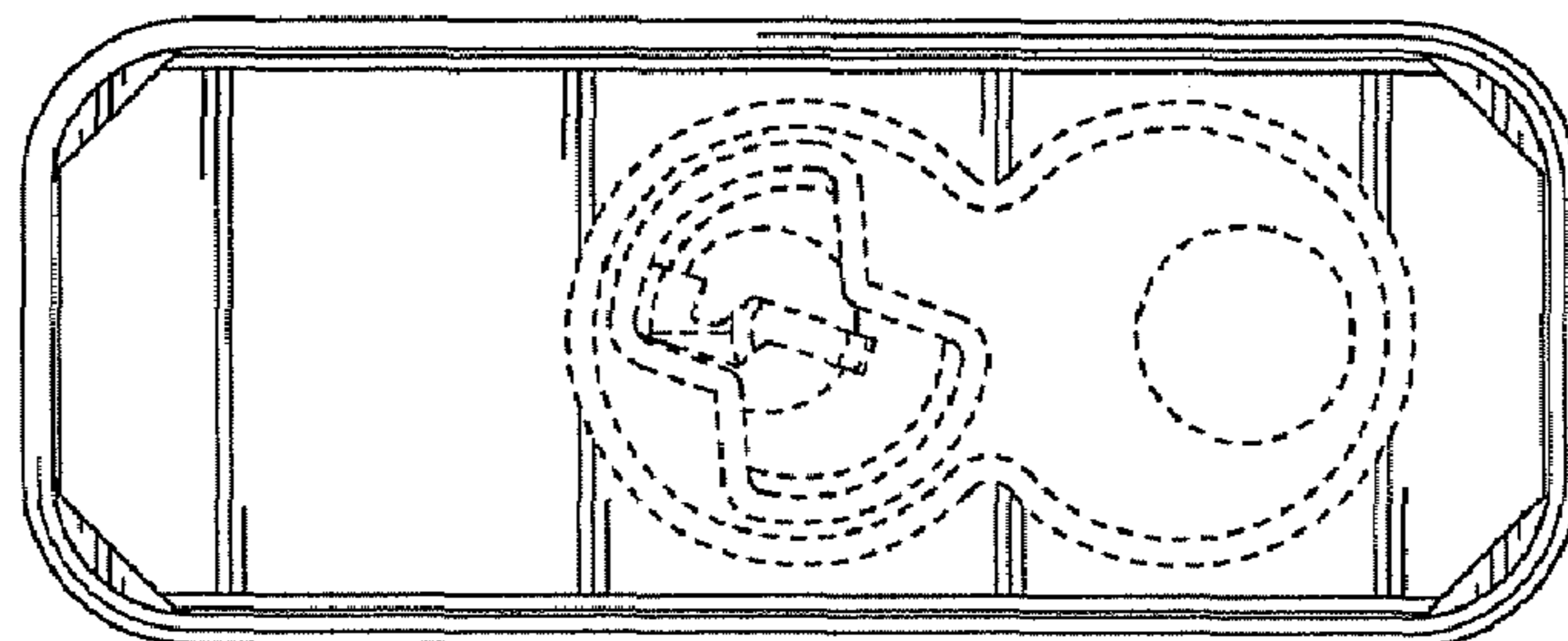


FIG. 12

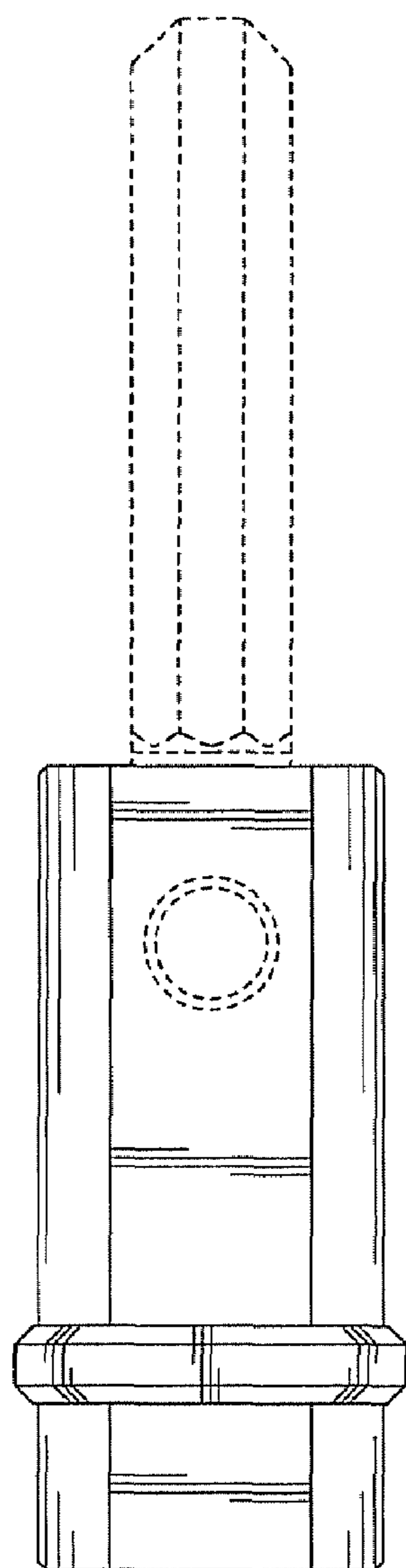


FIG. 13

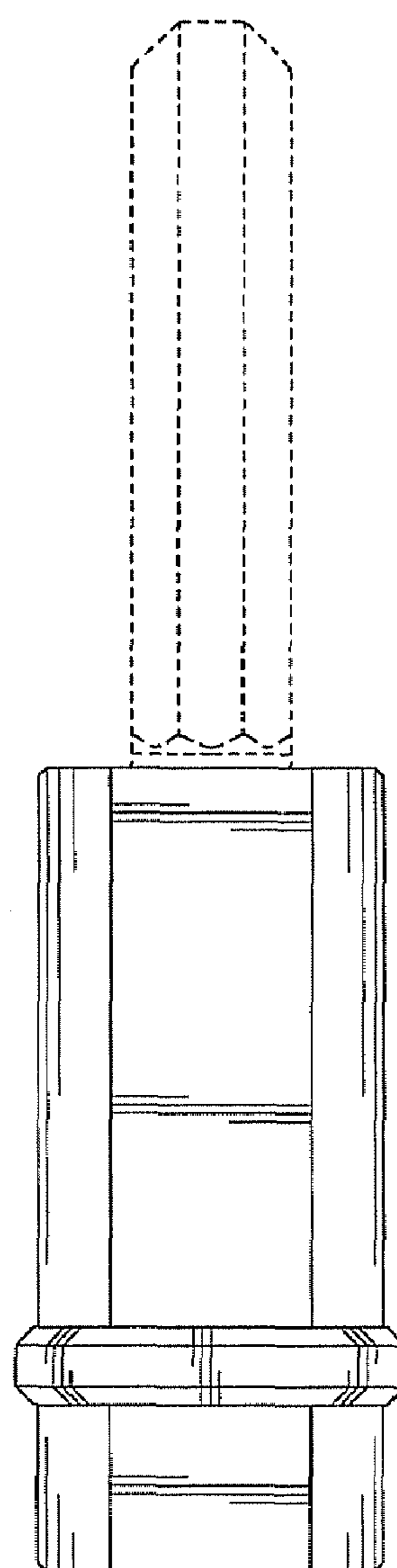


FIG. 14