

US00D606840S

(12) **United States Design Patent**
Gould

(10) **Patent No.:** **US D606,840 S**

(45) **Date of Patent:** **** Dec. 29, 2009**

(54) **MOTORCYCLE LOCK**

(76) Inventor: **David Gould**, 11673 Summit Cres.,
Delta BC (CA) V2E 2Z2

(**) Term: **14 Years**

(21) Appl. No.: **29/311,564**

(22) Filed: **Apr. 21, 2009**

(51) **LOC (9) Cl.** **08-07**

(52) **U.S. Cl.** **D8/331**

(58) **Field of Classification Search** D8/330,
D8/331, 334, 343, 349; 70/14, 20, 31, 35,
70/57, 57.1, 58, 233, 237-258, DIG. 37,
70/DIG. 26

See application file for complete search history.

(56) **References Cited**

U.S. PATENT DOCUMENTS

D263,555	S	*	3/1982	Curtis	D8/331
4,633,686	A	*	1/1987	Carr	70/179
D361,501	S	*	8/1995	Myers	D8/331
D364,550	S	*	11/1995	Myers	D8/331
D369,536	S	*	5/1996	Myers	D8/331
5,730,011	A	*	3/1998	Terai	70/186
5,934,118	A	*	8/1999	Henness	70/226
D439,498	S	*	3/2001	Hennig	D8/331

D451,001	S	*	11/2001	Bremicker	D8/331
6,615,624	B2	*	9/2003	Cardwell	70/226
D564,338	S	*	3/2008	Lu	D8/331
2008/0184750	A1	*	8/2008	Graulich	70/233

* cited by examiner

Primary Examiner—Prabhakar Deshmukh

(74) *Attorney, Agent, or Firm*—Rosenberg, Klein & Lee

(57) **CLAIM**

The ornamental design for a motorcycle lock, as shown and described.

DESCRIPTION

FIG. 1 is a perspective view of a motorcycle lock showing my new design;

FIG. 2 is a front elevational view thereof;

FIG. 3 is a rear elevational view thereof;

FIG. 4 is a left side elevational view thereof;

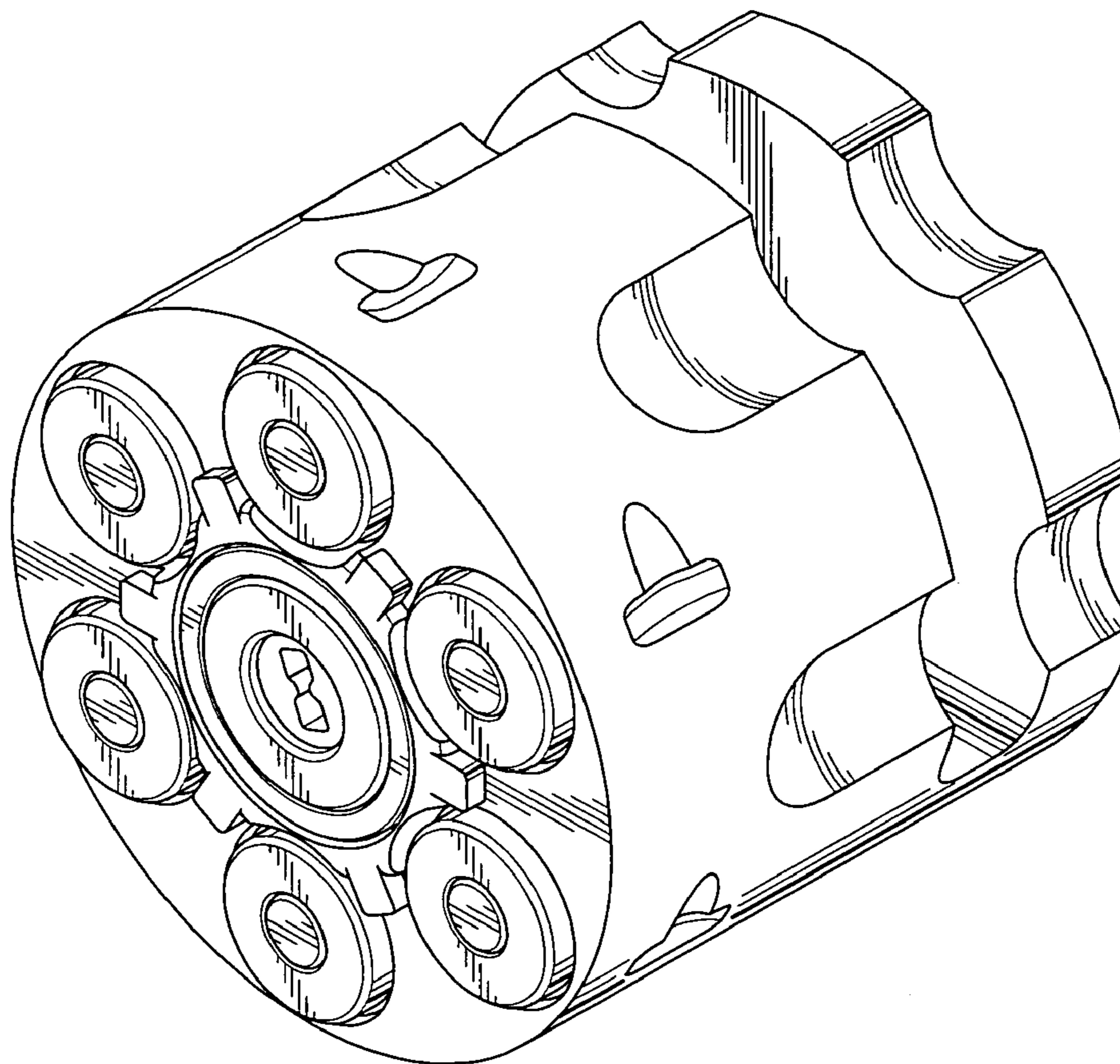
FIG. 5 is a right side elevational view thereof;

FIG. 6 is a top plan view thereof; and,

FIG. 7 is a bottom plan view thereof.

The broken lines are for illustrative purpose only and form no part of the claimed design.

1 Claim, 7 Drawing Sheets



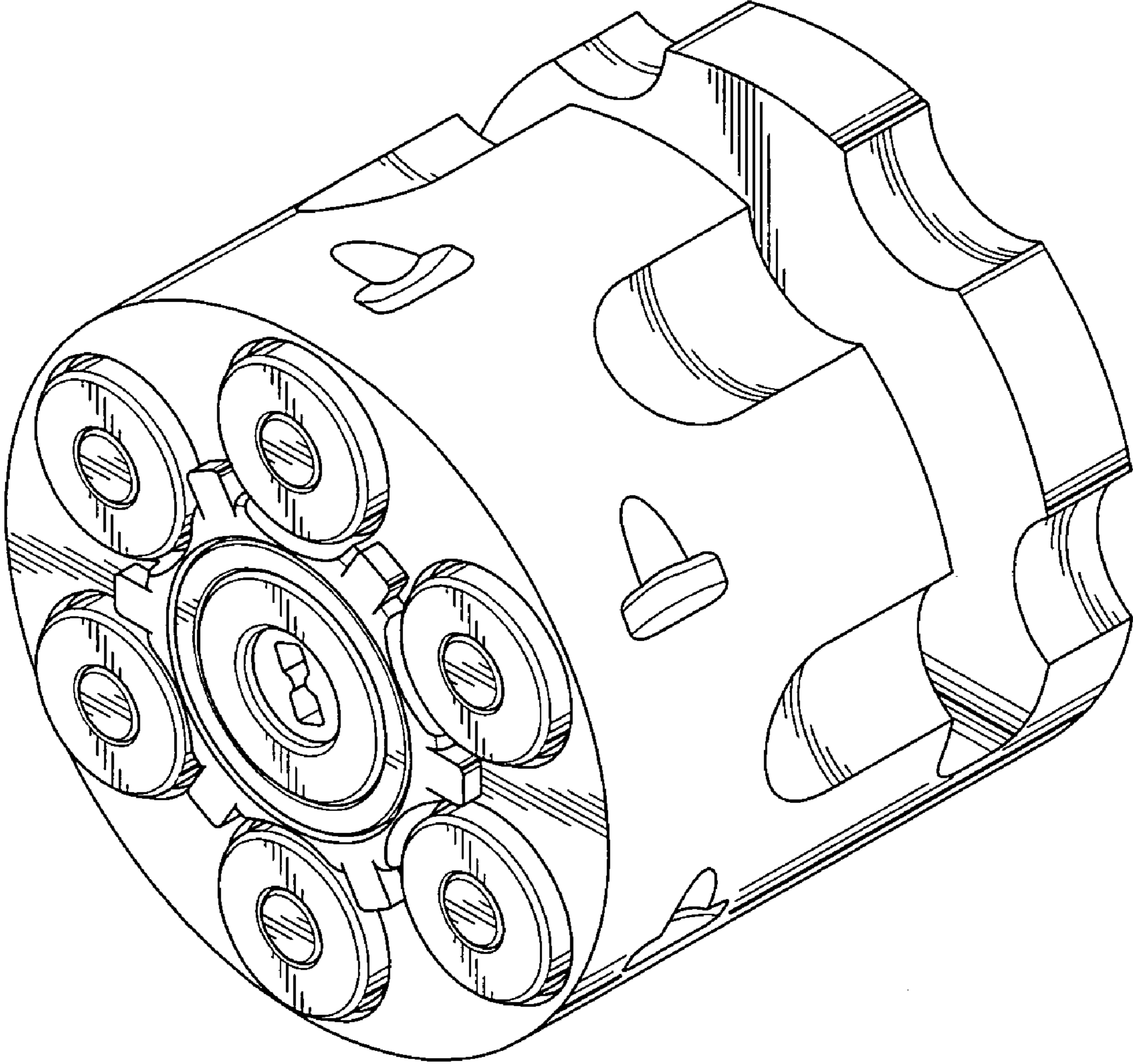


FIG . 1

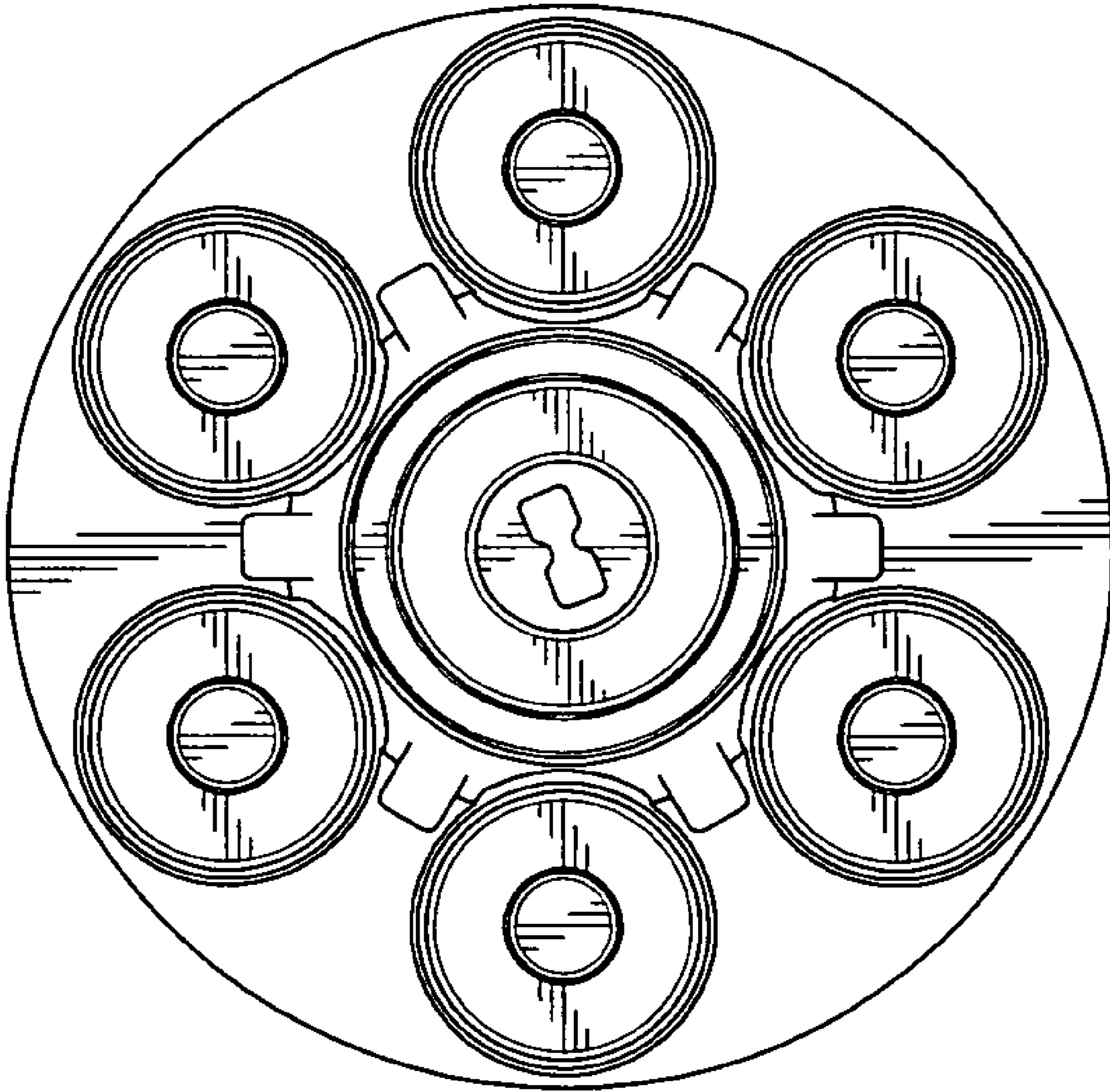


FIG . 2

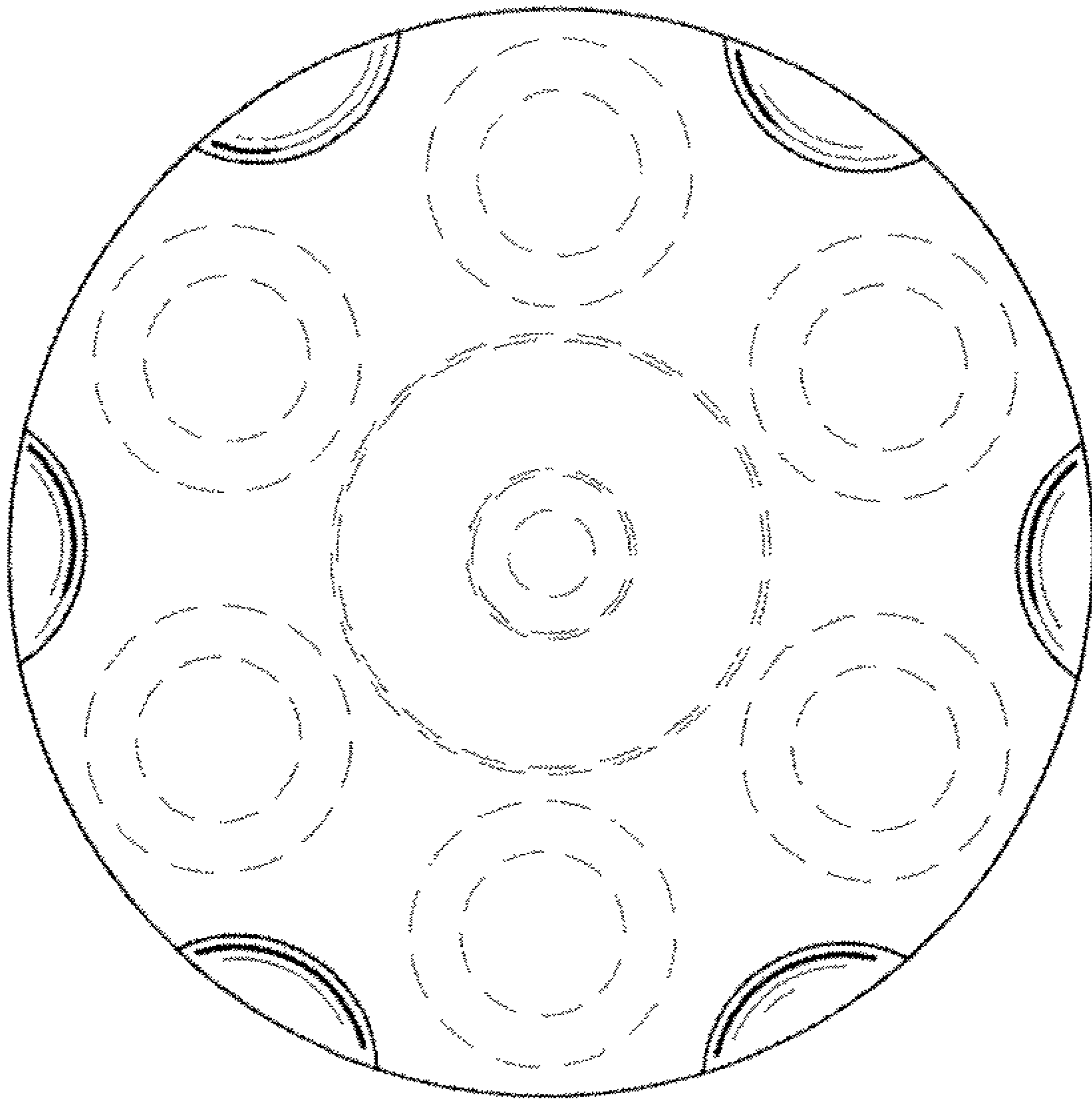


FIG . 3

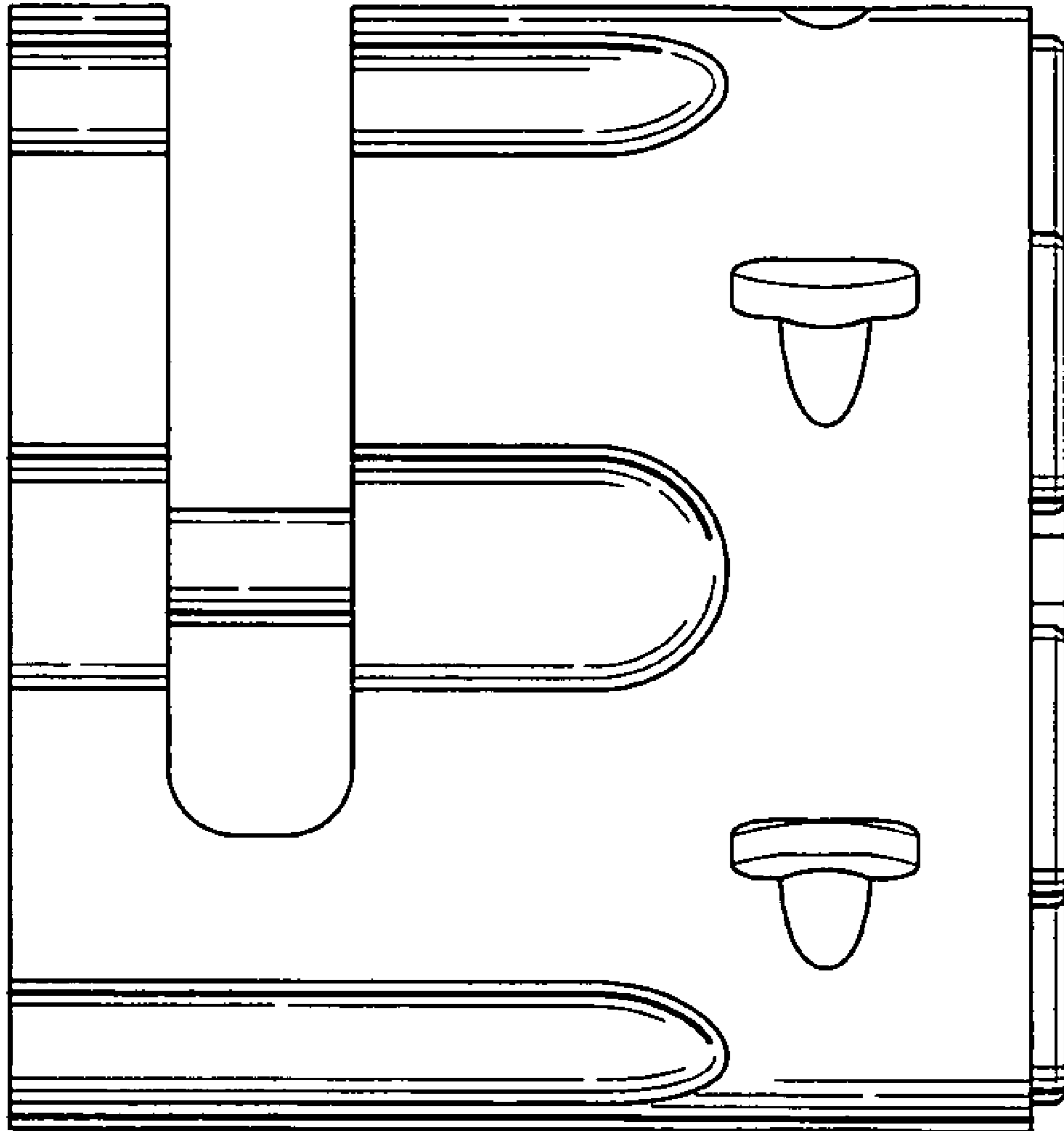


FIG . 4

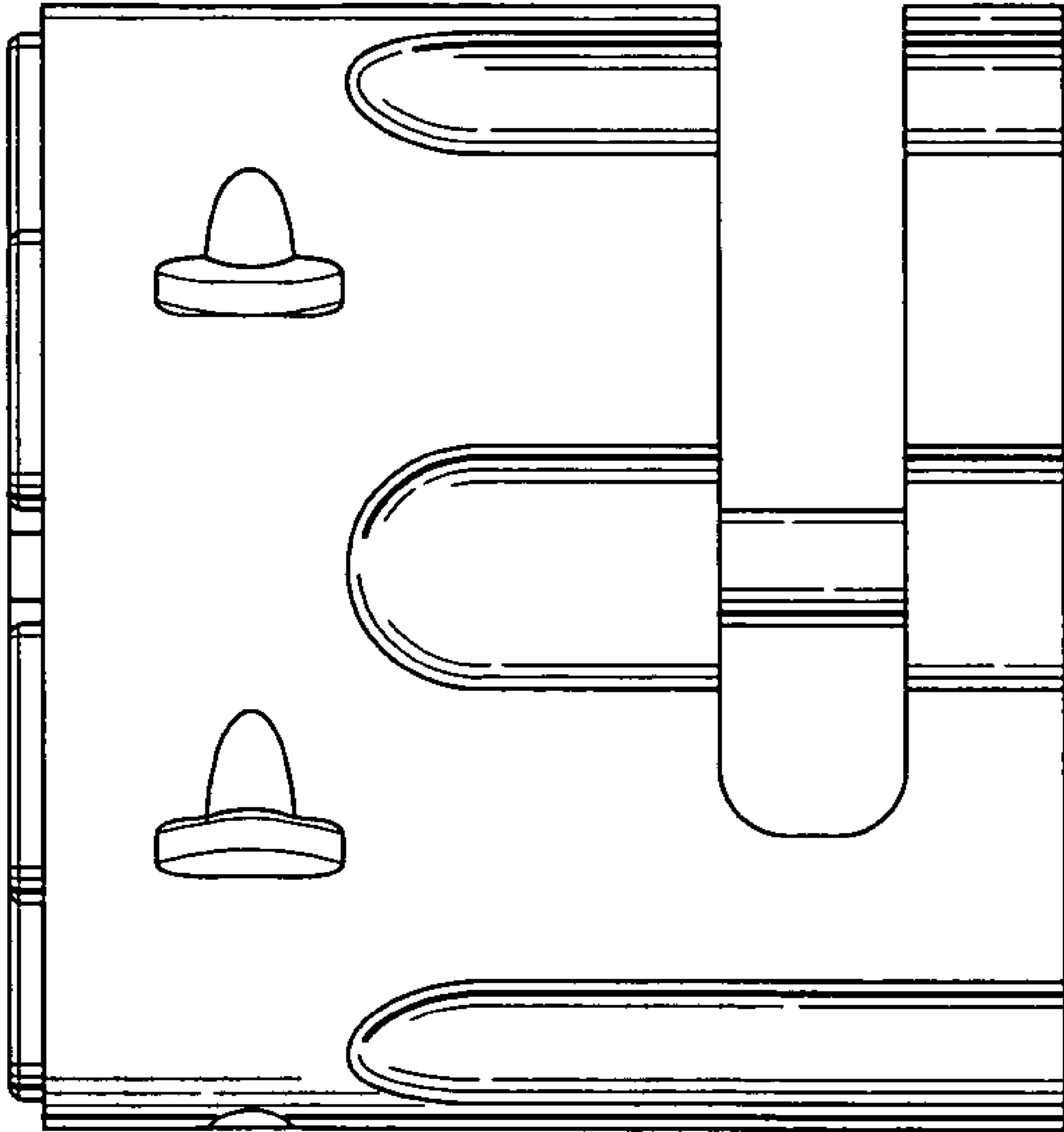


FIG . 5

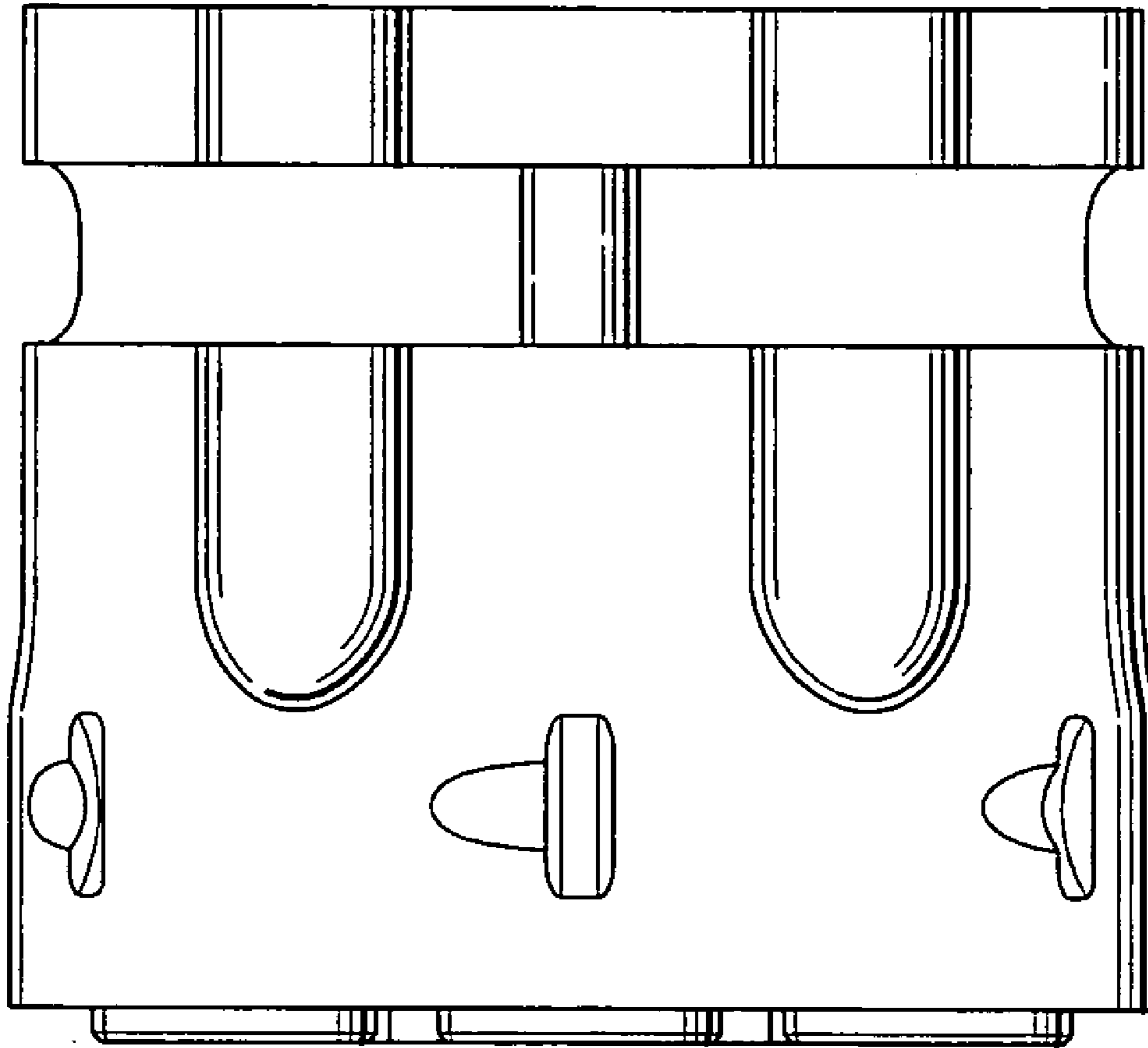


FIG . 6

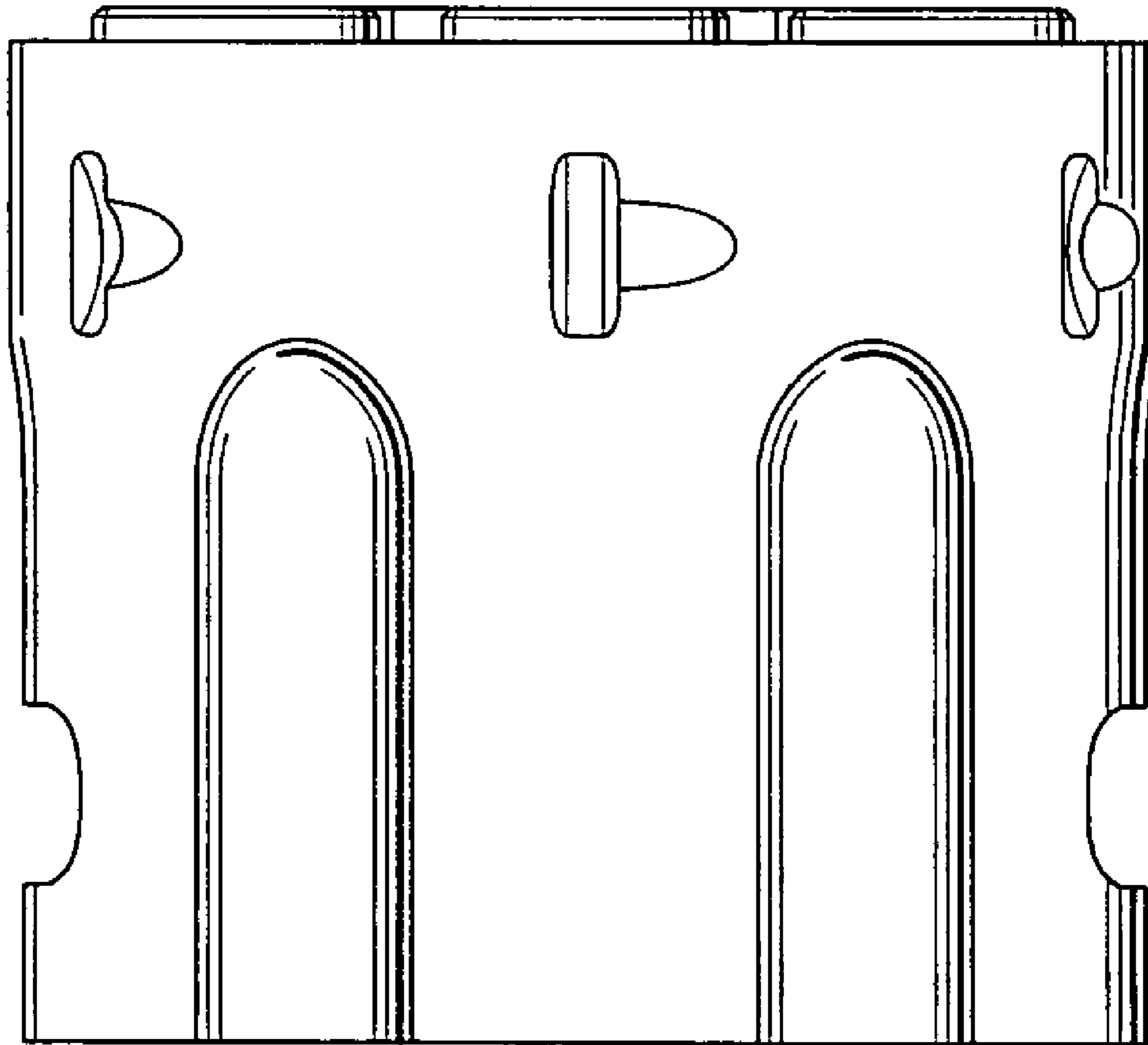


FIG . 7