



US00D606839S

(12) **United States Design Patent**
Urquiola

(10) **Patent No.:** **US D606,839 S**

(45) **Date of Patent:** **** Dec. 29, 2009**

(54) **PULL**

(75) Inventor: **Patricia Urquiola**, Milan (IT)

(73) Assignee: **Hansgrohe AG**, Schiltach (DE)

(**) Term: **14 Years**

(21) Appl. No.: **29/333,648**

(22) Filed: **Mar. 12, 2009**

(30) **Foreign Application Priority Data**

Sep. 23, 2008 (EM) 001007314-0008

(51) **LOC (9) Cl.** **08-06**

(52) **U.S. Cl.** **D8/316**

(58) **Field of Classification Search** D8/300-302,
D8/305, 313-321, DIG. 1; D6/633; D7/393;
D3/291, 318; D23/250-254; 292/347, 336.3;
16/101.1, 412, 414-420, 443-446, 441, 110 R,
16/111 R, DIG. 19, DIG. 20
See application file for complete search history.

(56) **References Cited**

U.S. PATENT DOCUMENTS

D200,953 S * 4/1965 Menezes et al. D8/317
D399,406 S * 10/1998 Decursu et al. D8/317
D403,230 S * 12/1998 Ziemer et al. D8/317

D511,956 S * 11/2005 Elwell et al. D8/322
D543,436 S * 5/2007 Ricereto D8/316
D551,056 S * 9/2007 Ricereto D8/317
D569,704 S * 5/2008 Ricereto D8/315
D570,185 S * 6/2008 Hanes D8/315
D570,646 S * 6/2008 Jeon D7/402
D579,310 S * 10/2008 Suh et al. D8/315
D597,396 S * 8/2009 Menzies D8/315
D598,269 S * 8/2009 Hanes D8/317

* cited by examiner

Primary Examiner—Ian Simmons

Assistant Examiner—Mark A Goodwin

(74) *Attorney, Agent, or Firm*—Nirav D. Parikh; Edgar A. Zarins

(57) **CLAIM**

The ornamental design for a pull, as shown and described.

DESCRIPTION

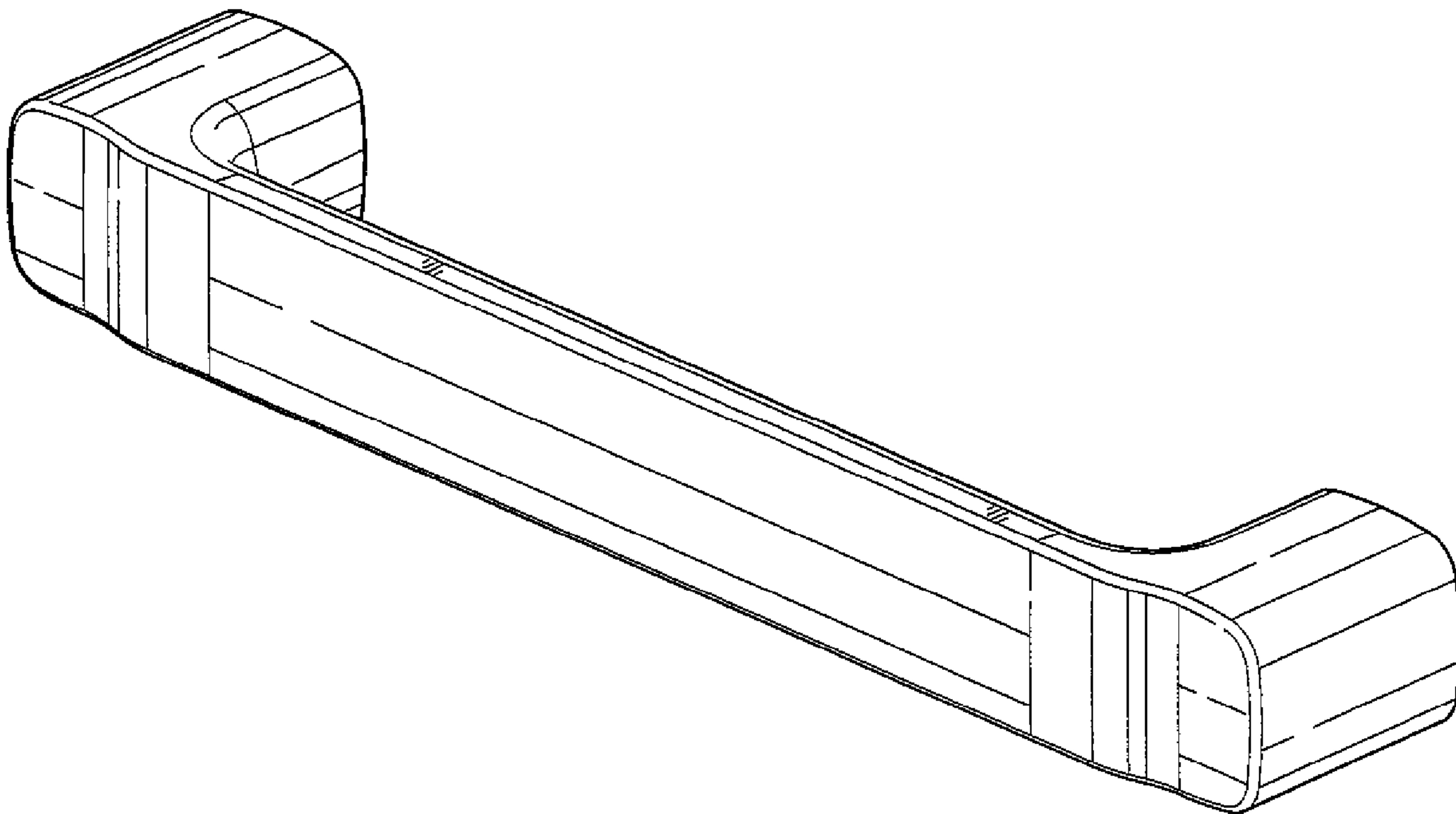
FIG. 1 is a perspective view of a pull showing my design;

FIG. 2 is a front elevational view thereof;

FIG. 3 is a left side elevational view thereof; the right side elevational view being a mirror image thereof; and,

FIG. 4 is a top plan view thereof; the bottom plan view being a mirror image thereof.

1 Claim, 4 Drawing Sheets



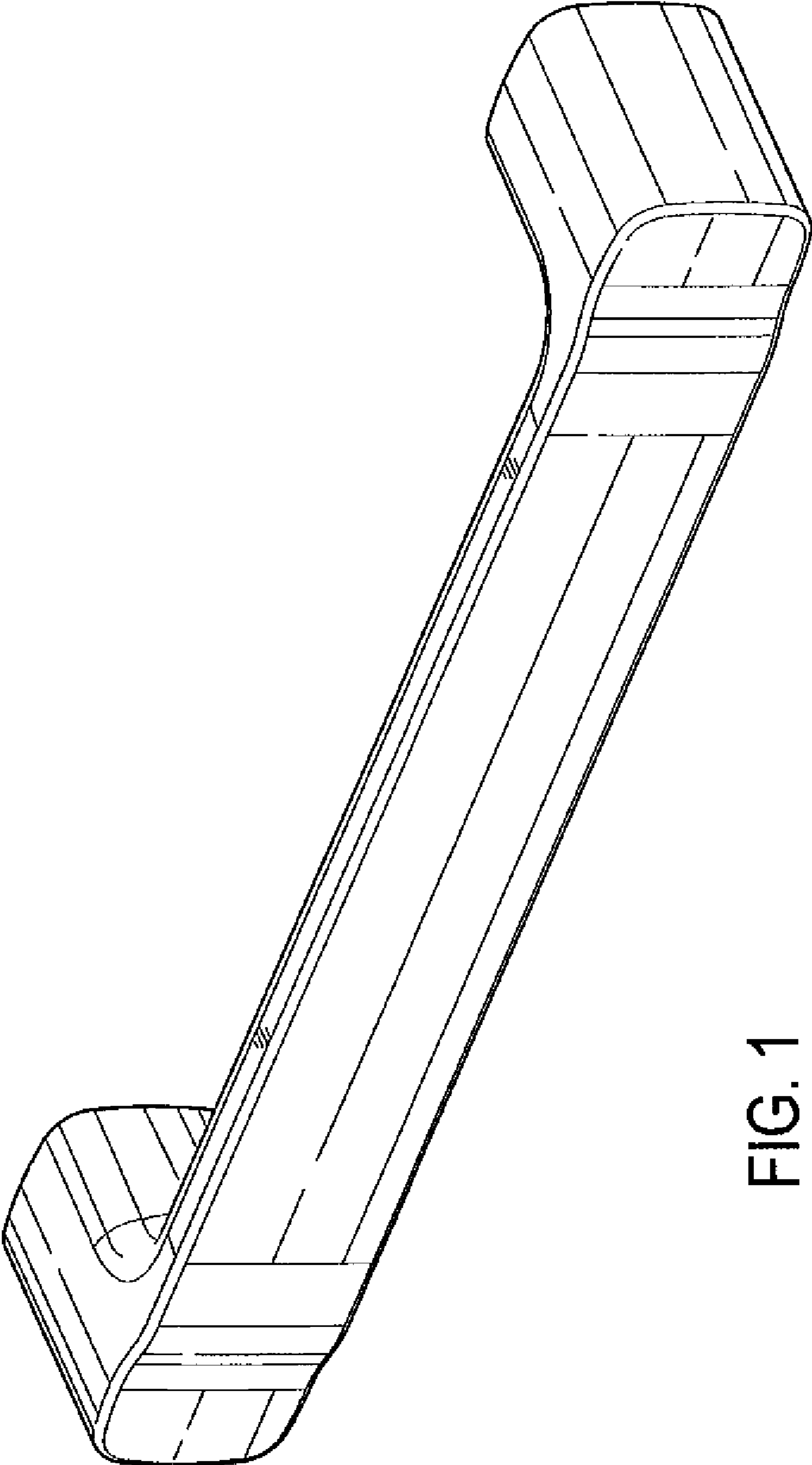


FIG. 1

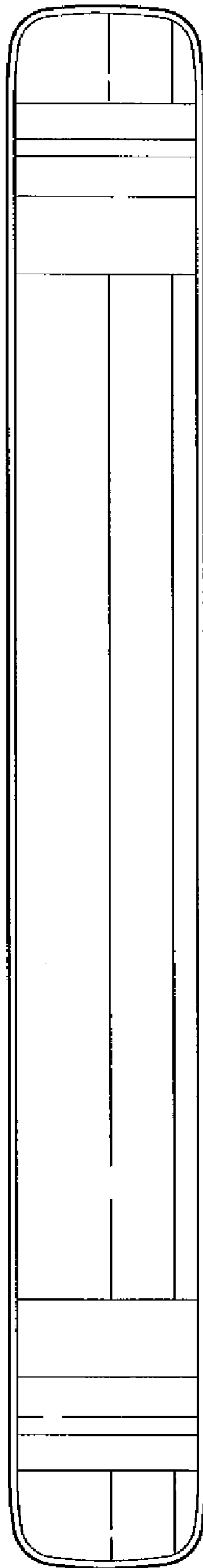


FIG. 2

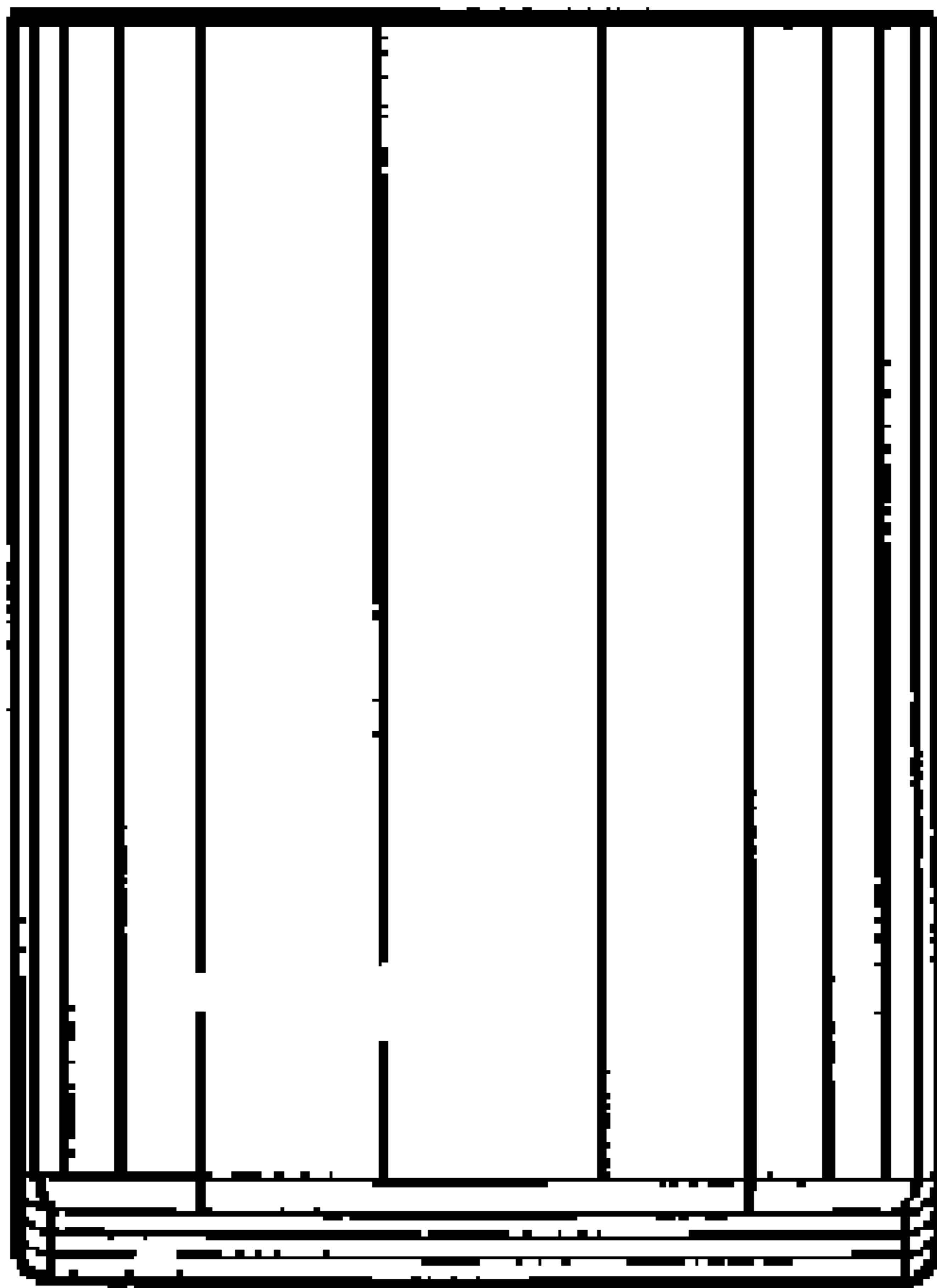


FIG. 3

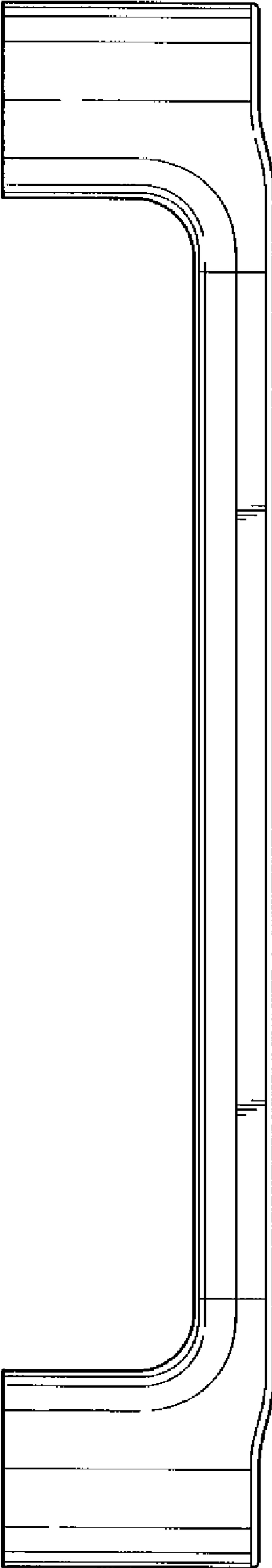


FIG. 4