



US00D606838S

(12) **United States Design Patent**
van Deursen

(10) **Patent No.:** **US D606,838 S**
(45) **Date of Patent:** **** Dec. 29, 2009**

- (54) **AUTO FEED UTILITY KNIFE**
- (75) Inventor: **Gary E. van Deursen**, Essex, CT (US)
- (73) Assignee: **American Safety Razor**, Verona, VA (US)
- (**) Term: **14 Years**
- (21) Appl. No.: **29/330,653**
- (22) Filed: **Jan. 12, 2009**
- (51) **LOC (9) Cl.** **08-03**
- (52) **U.S. Cl.** **D8/99**
- (58) **Field of Classification Search** D8/98, D8/99, 107; 30/161, 162, 320, 329, 337
See application file for complete search history.

- D476,214 S 6/2003 Hsu
- 6,675,484 B2 1/2004 McHenry et al.
- 6,832,438 B1 12/2004 Gringer et al.
- D502,379 S 3/2005 Tseng
- 6,898,855 B2 5/2005 Jones et al.
- 6,918,183 B2 7/2005 Alfi
- D509,419 S 9/2005 Chungk
- D511,288 S 11/2005 Brown et al.
- 6,966,113 B2 11/2005 Fossella
- D512,296 S 12/2005 Ping
- D517,894 S 3/2006 Kondo et al.
- 7,055,407 B2 6/2006 Gringer et al.
- D524,138 S 7/2006 Chih
- D525,104 S 7/2006 Samberg

(Continued)

Primary Examiner—Philip S Hyder
(74) *Attorney, Agent, or Firm*—McDermott Will & Emery LLP

(56) **References Cited**
U.S. PATENT DOCUMENTS

- 3,783,507 A 1/1974 Perry
- 4,089,112 A 5/1978 Richards
- 4,099,327 A 7/1978 Pesa
- 4,170,062 A 10/1979 Machida
- 5,001,834 A 3/1991 Collins
- 5,072,513 A 12/1991 Matsushima
- 5,121,544 A 6/1992 Gilbert
- 5,452,514 A 9/1995 Enfaradi
- 5,522,135 A 6/1996 Votolato
- 5,813,121 A 9/1998 Gringer
- D400,774 S 11/1998 Ghavami
- 5,909,930 A 6/1999 Ragland, III et al.
- D413,783 S 9/1999 Huang
- D420,270 S 2/2000 Martone
- 6,058,607 A 5/2000 Gringer
- D439,492 S 3/2001 Martone et al.
- 6,263,577 B1 7/2001 Wonderley
- D454,042 S 3/2002 Hsu
- 6,374,497 B1 4/2002 Sun
- D458,526 S 6/2002 Budrow
- D460,908 S 7/2002 Sun
- 6,438,849 B1 8/2002 Wonderley
- D462,250 S 9/2002 Ping
- 6,550,144 B1 4/2003 Berns
- 6,553,674 B1 4/2003 Budrow

(57) **CLAIM**

The ornamental design for the auto feed utility knife, as shown and described.

DESCRIPTION

FIG. 1 is a front perspective view of the auto feed utility knife, showing the new design;

FIG. 2 is a front view of the auto feed utility knife;

FIG. 3 is a rear view of the auto feed utility knife;

FIG. 4 is a side view of the auto feed utility knife;

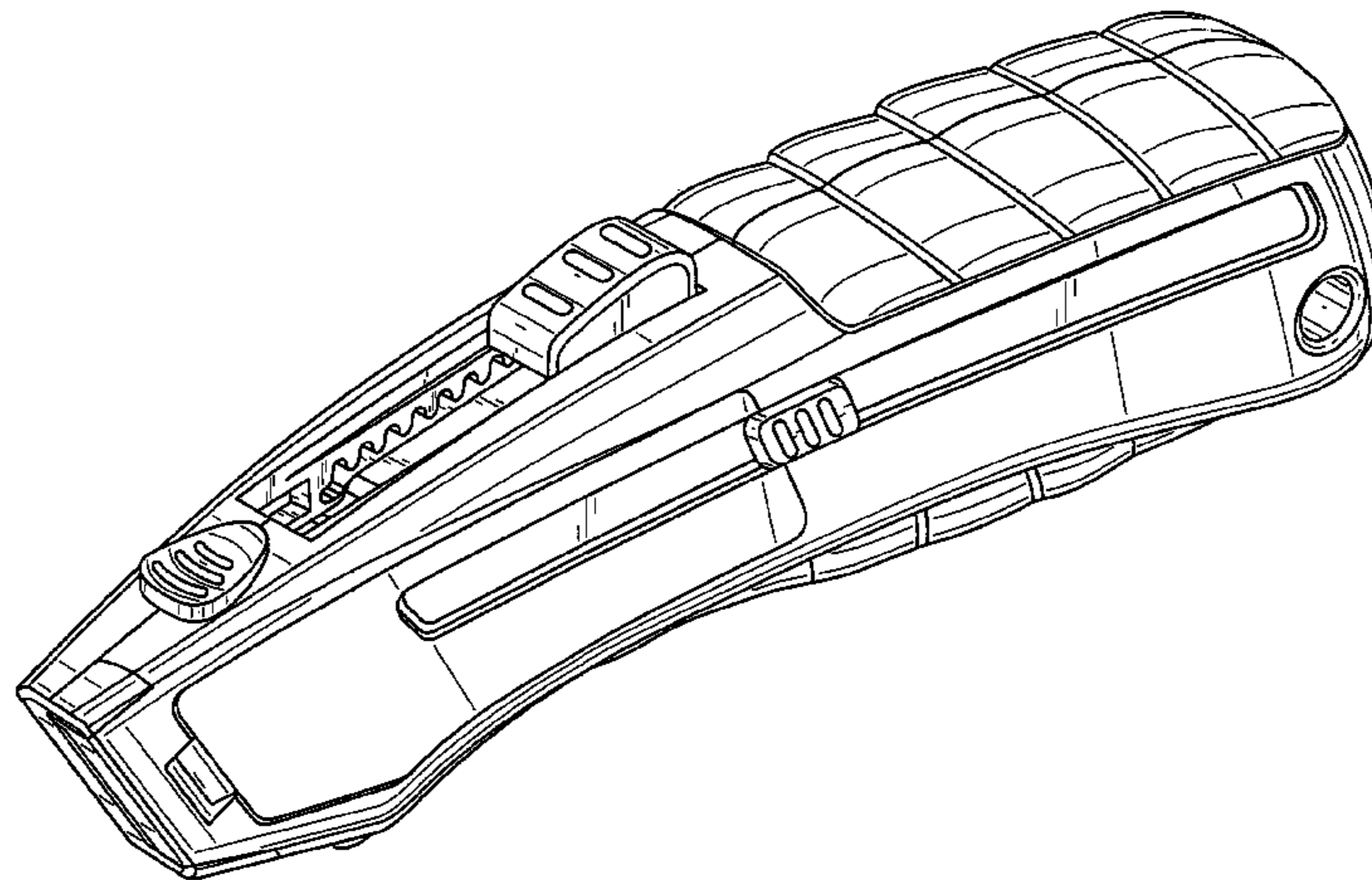
FIG. 5 is another side view of the auto feed utility knife;

FIG. 6 is a top view of the auto feed utility knife; and,

FIG. 7 is a bottom view of the auto feed utility knife.

The broken lines showing various elements of the auto feed utility knife are included for the purpose of illustrating non-claimed subject matter and forms no part of the claimed design.

1 Claim, 5 Drawing Sheets



US D606,838 S

Page 2

U.S. PATENT DOCUMENTS					
			D594,309 S *	6/2009	Sugiura et al. D8/99
7,178,244 B2	2/2007	Fossella	2003/0037444 A1	2/2003	Chunn
D558,555 S	1/2008	Huang	2004/0250423 A1	12/2004	Yu
D560,999 S	2/2008	Ping	2005/0055833 A1	3/2005	Scarla
D562,666 S	2/2008	Tou	2005/0097756 A1	5/2005	Gringer et al.
7,325,313 B2	2/2008	Gringer et al.	2006/0048392 A1	3/2006	Okada
D563,755 S	3/2008	Wu	2006/0143929 A1	7/2006	Lake
D564,327 S	3/2008	Wu	2007/0028463 A1	2/2007	Chan
D565,381 S *	4/2008	Wu D8/99	2007/0028738 A1	2/2007	Chan
D572,107 S	7/2008	Maraia et al.	2007/0209209 A1	9/2007	Davis et al.
7,395,600 B2	7/2008	Fossella	2008/0016706 A1	1/2008	Sasaki
7,418,784 B2	9/2008	Fossella	2008/0110027 A1	5/2008	Seber et al.
7,448,136 B2 *	11/2008	Huang 30/125	2008/0110028 A1	5/2008	Seber et al.
D587,553 S *	3/2009	Constantine et al. D8/99			

* cited by examiner

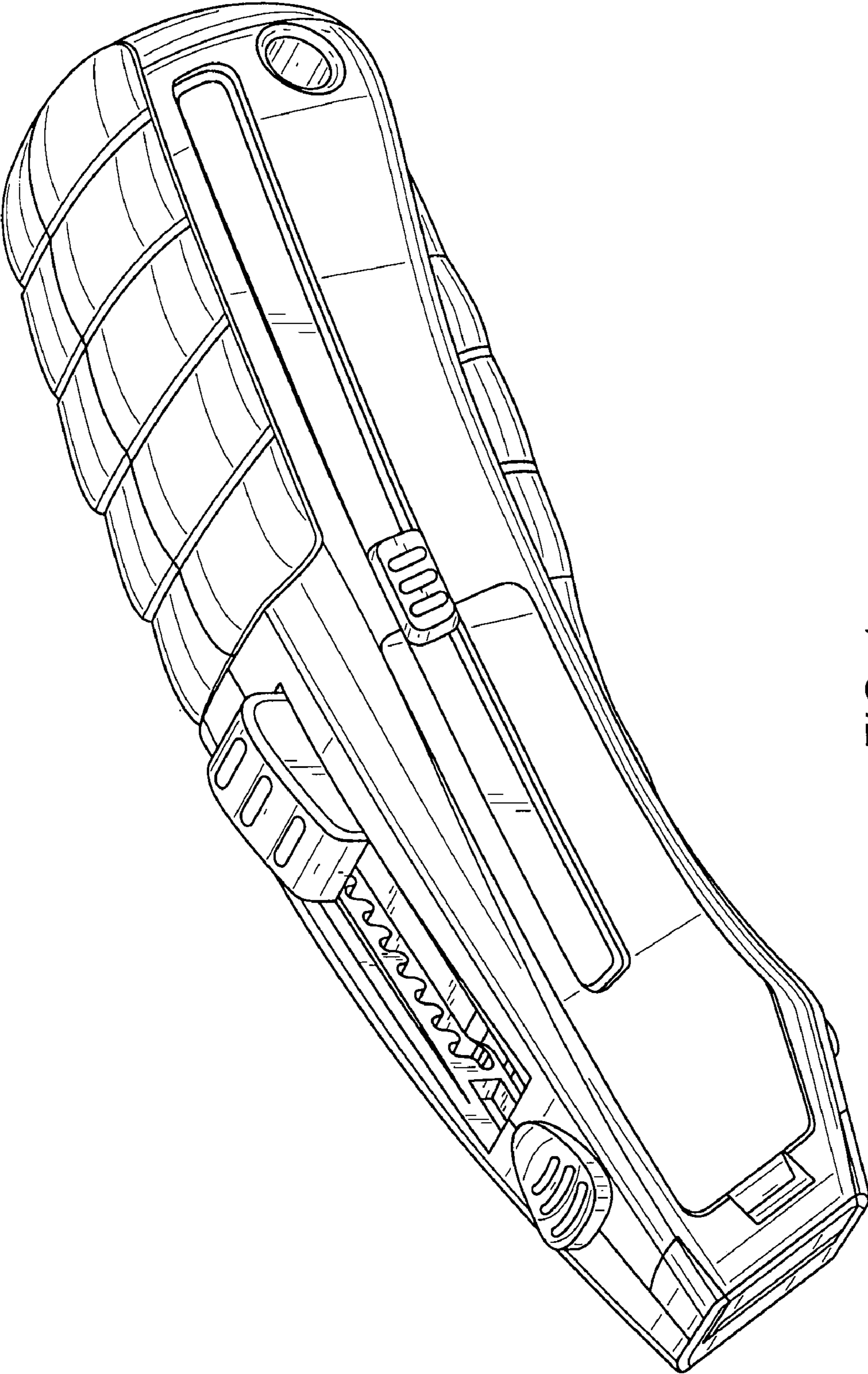


FIG. 1

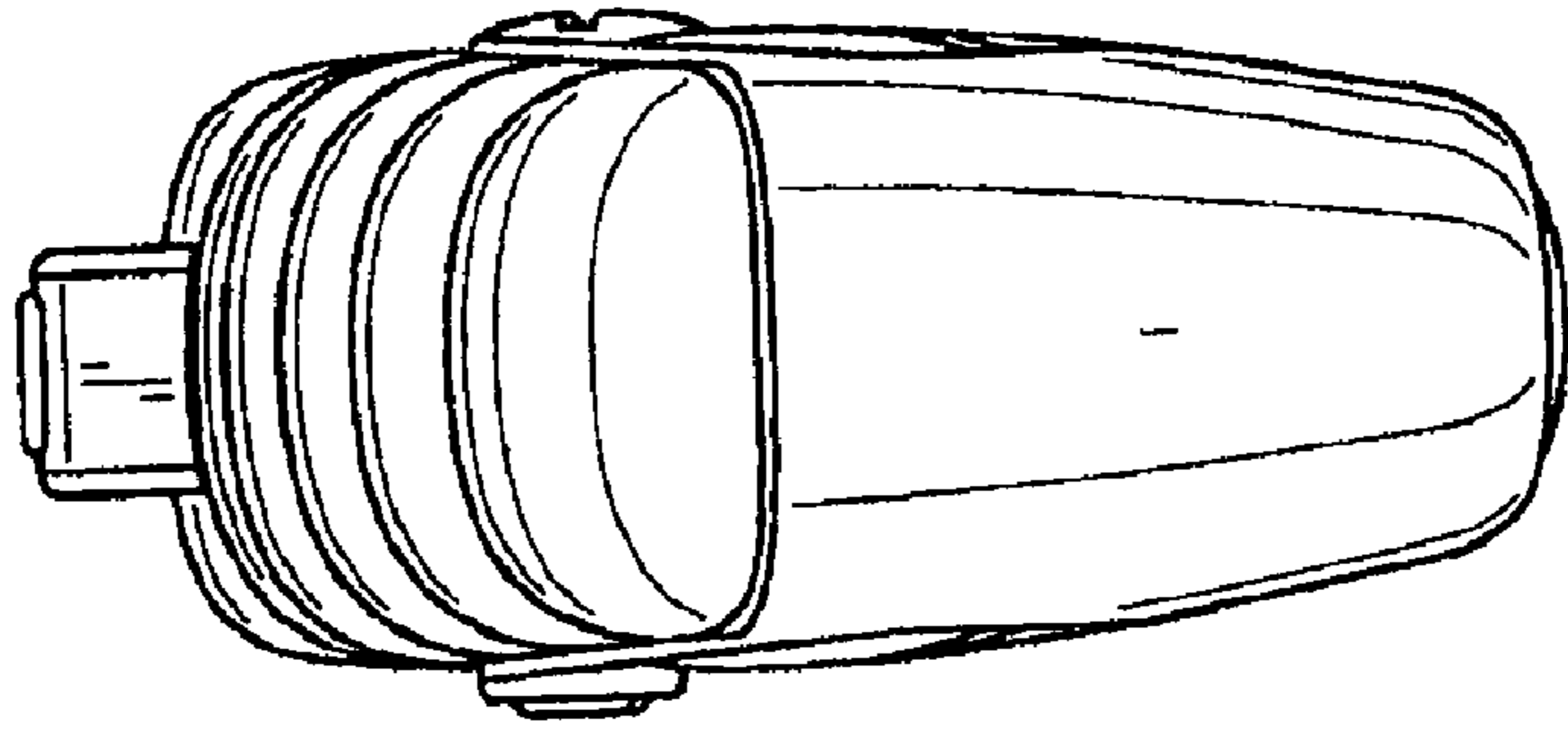


FIG. 3

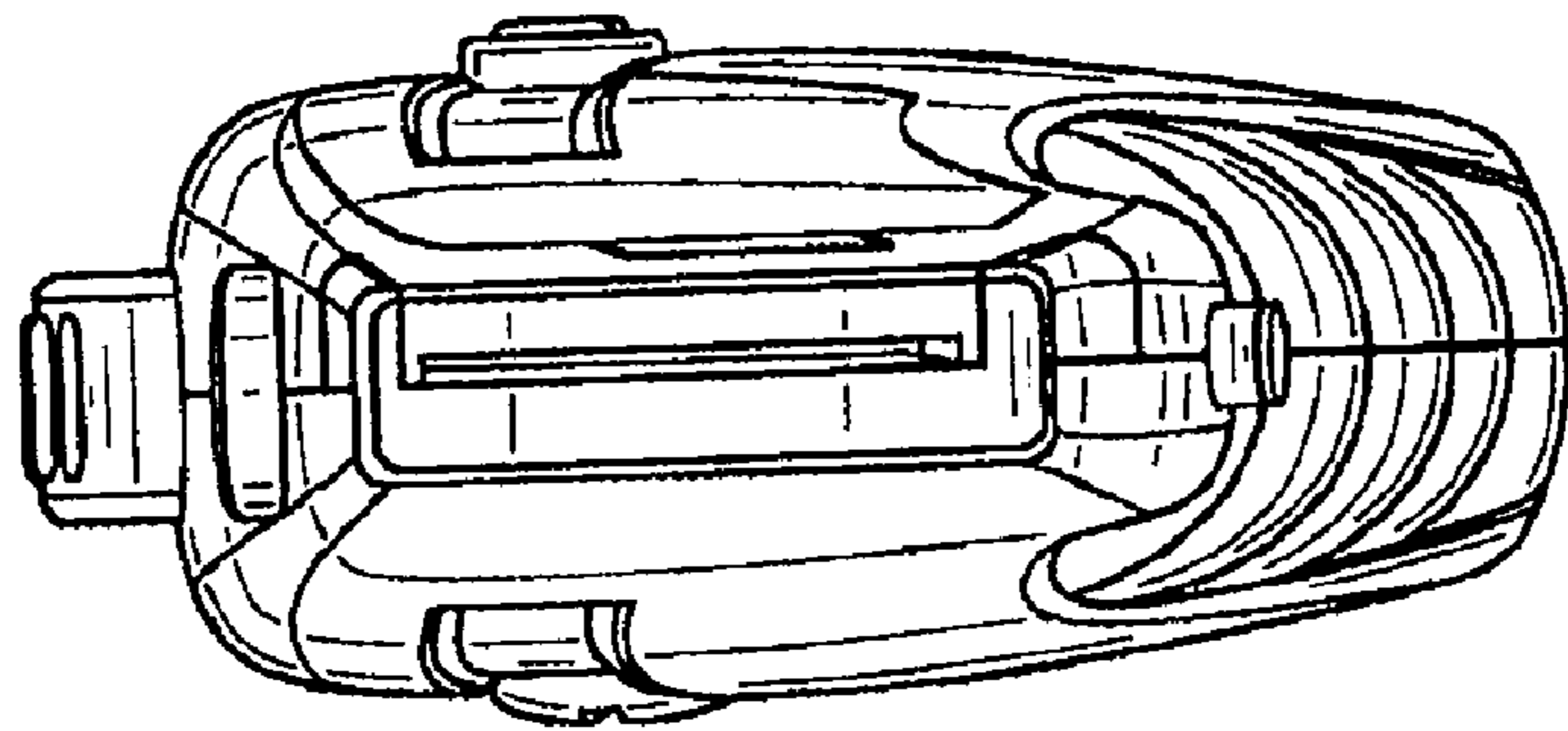


FIG. 2

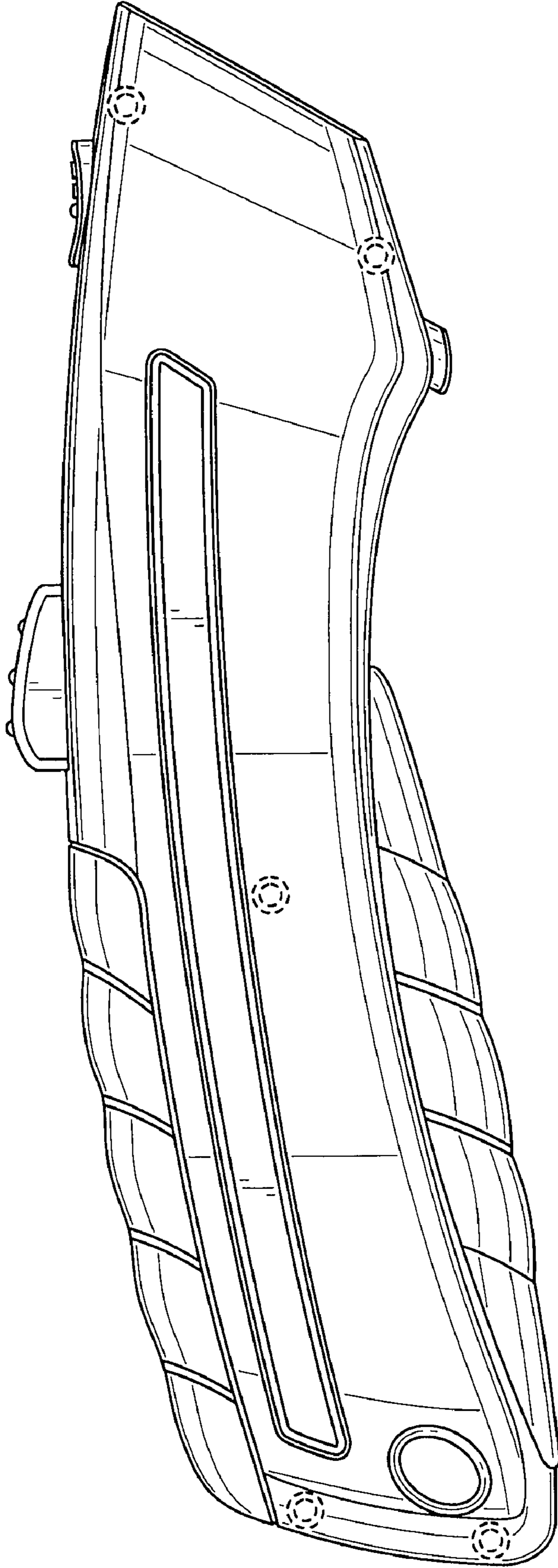


FIG. 4

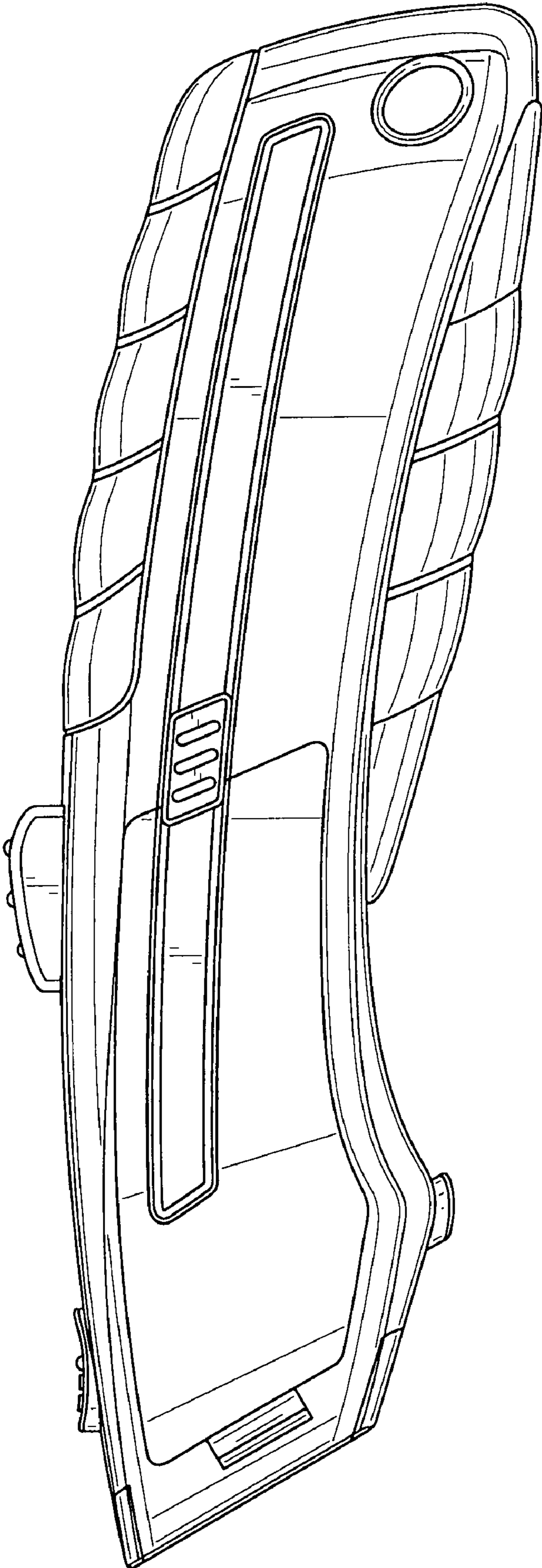


FIG. 5

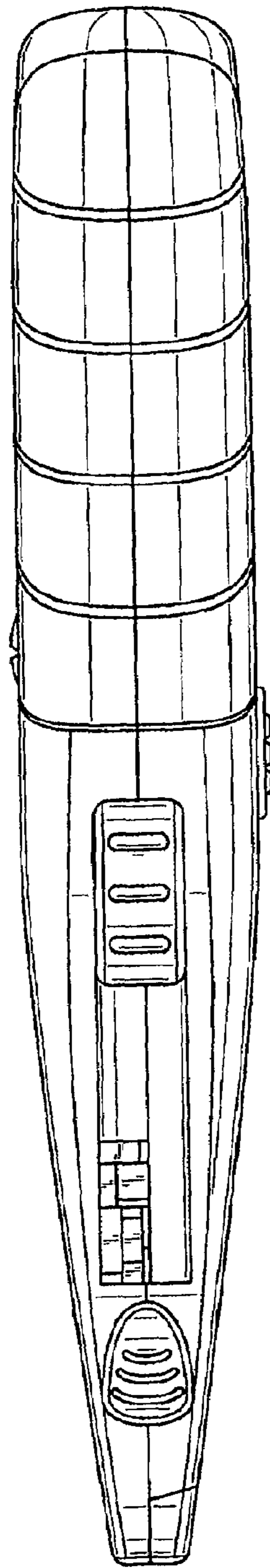


FIG. 6

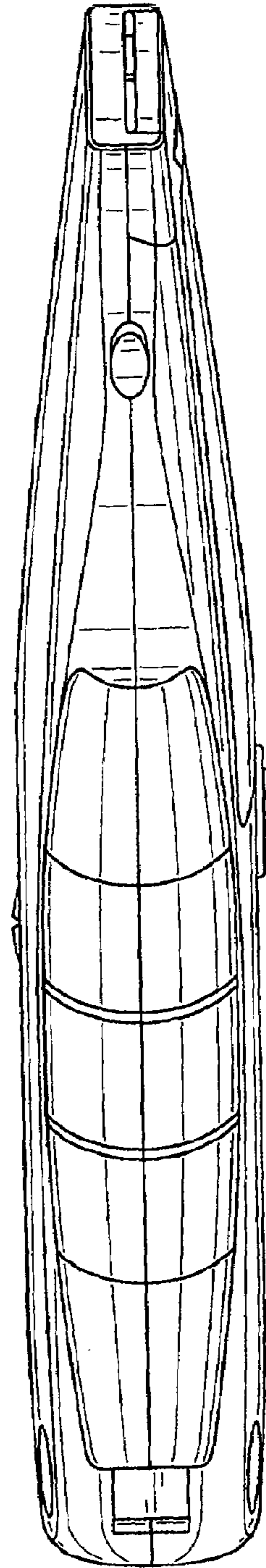


FIG. 7