



US00D606837S

(12) **United States Design Patent**
Watanabe

(10) **Patent No.:** **US D606,837 S**

(45) **Date of Patent:** **** Dec. 29, 2009**

(54) **CUTTER KNIFE**

(75) Inventor: **Toshiyuki Watanabe**, Uji (JP)

(73) Assignee: **OLFA Corporation** (JP)

(**) Term: **14 Years**

(21) Appl. No.: **29/322,321**

(22) Filed: **Aug. 1, 2008**

(51) **LOC (9) Cl.** **08-03**

(52) **U.S. Cl.** **D8/99**

(58) **Field of Classification Search** D8/98,
D8/99, 105, 107; 30/2, 161, 162, 320, 329,
30/337

See application file for complete search history.

(56) **References Cited**

U.S. PATENT DOCUMENTS

D258,043	S	*	1/1981	Gregoire	D8/99
D264,804	S	*	6/1982	Machida	D8/99
D392,173	S	*	3/1998	Okada	D8/99
D412,654	S	*	8/1999	Gilbert et al.	D8/99
D412,655	S	*	8/1999	Gilbert et al.	D8/99
D458,106	S	*	6/2002	Chong	D8/99
D459,189	S	*	6/2002	Chong	D8/99
D464,245	S	*	10/2002	Jacquet	D8/99
D513,957	S	*	1/2006	Thirouin	D8/99
D523,316	S	*	6/2006	Kondo et al.	D8/99
D528,896	S	*	9/2006	Chong	D8/99
D565,382	S		4/2008	Watanabe		

OTHER PUBLICATIONS

Olfa Corporation, SK-3, SK-4,SK-5, Olfa Catalogue, Jun. 2005, cover page, p. 34, back cover, Olfa Corporation, Japan.

* cited by examiner

Primary Examiner—Philip S Hyder

(74) *Attorney, Agent, or Firm*—SAIDMAN DesignLaw Group

(57) **CLAIM**

The ornamental design for a cutter knife, as shown and described.

DESCRIPTION

FIG. 1 is a perspective view of a cutter knife showing my new design;

FIG. 2 is a perspective view thereof, wherein the blade is extended;

FIG. 3 is a front view thereof;

FIG. 4 is a rear view thereof;

FIG. 5 is a top plan view thereof;

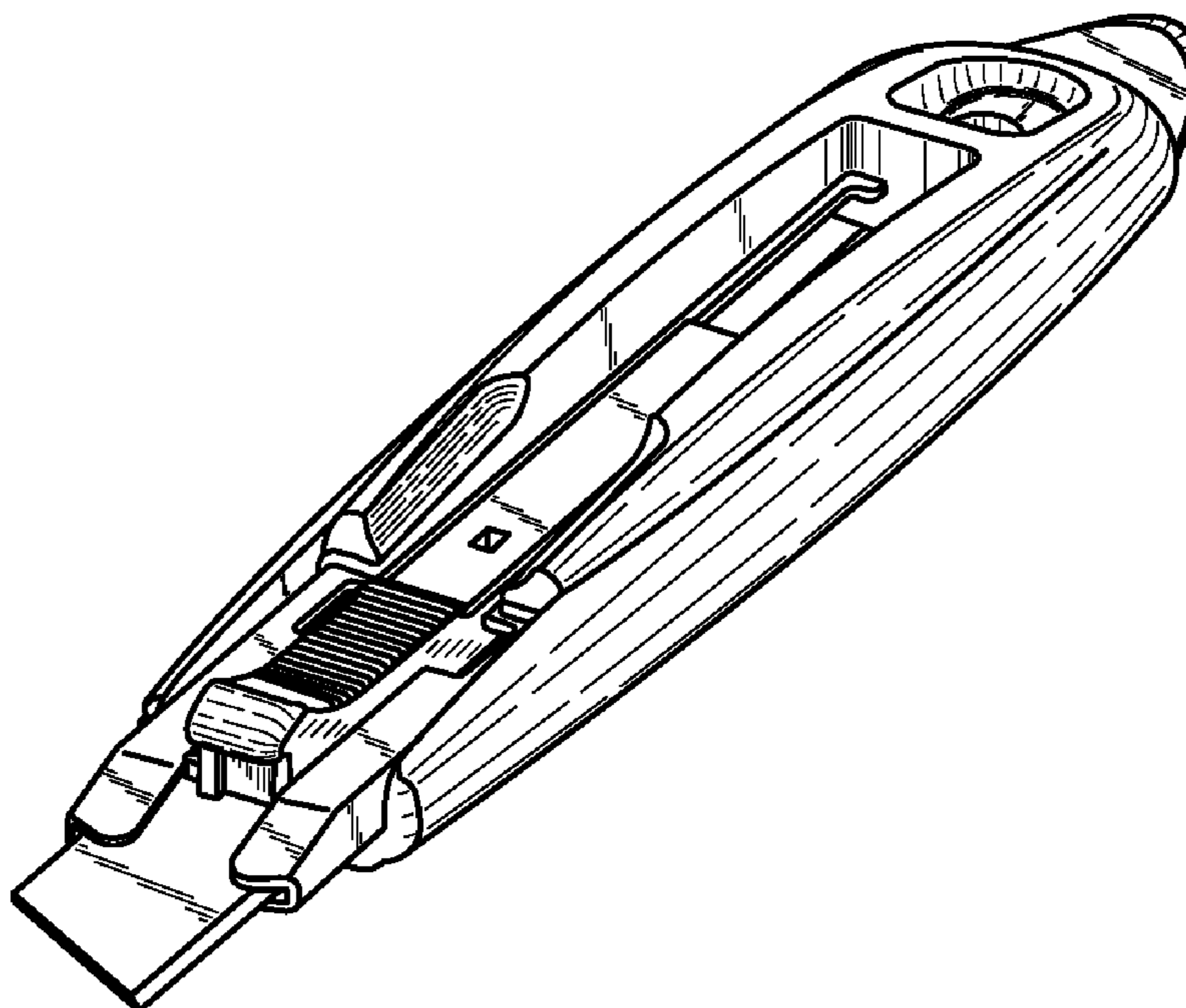
FIG. 6 is a left end view thereof;

FIG. 7 is a right end view thereof; and,

FIG. 8 is a bottom plan view thereof.

The broken lines are environmental only and form no part of the claimed design.

1 Claim, 4 Drawing Sheets



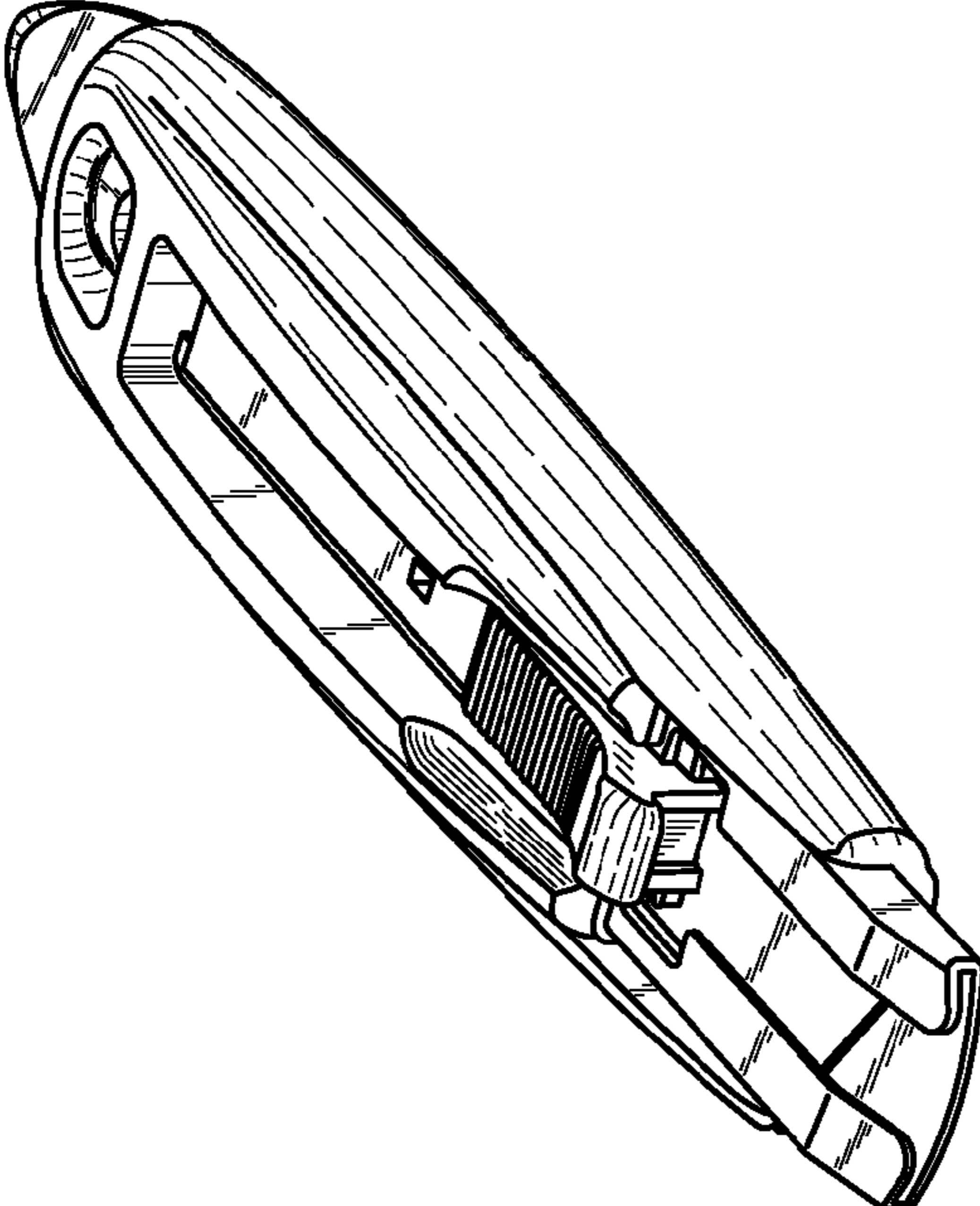


Fig. 1

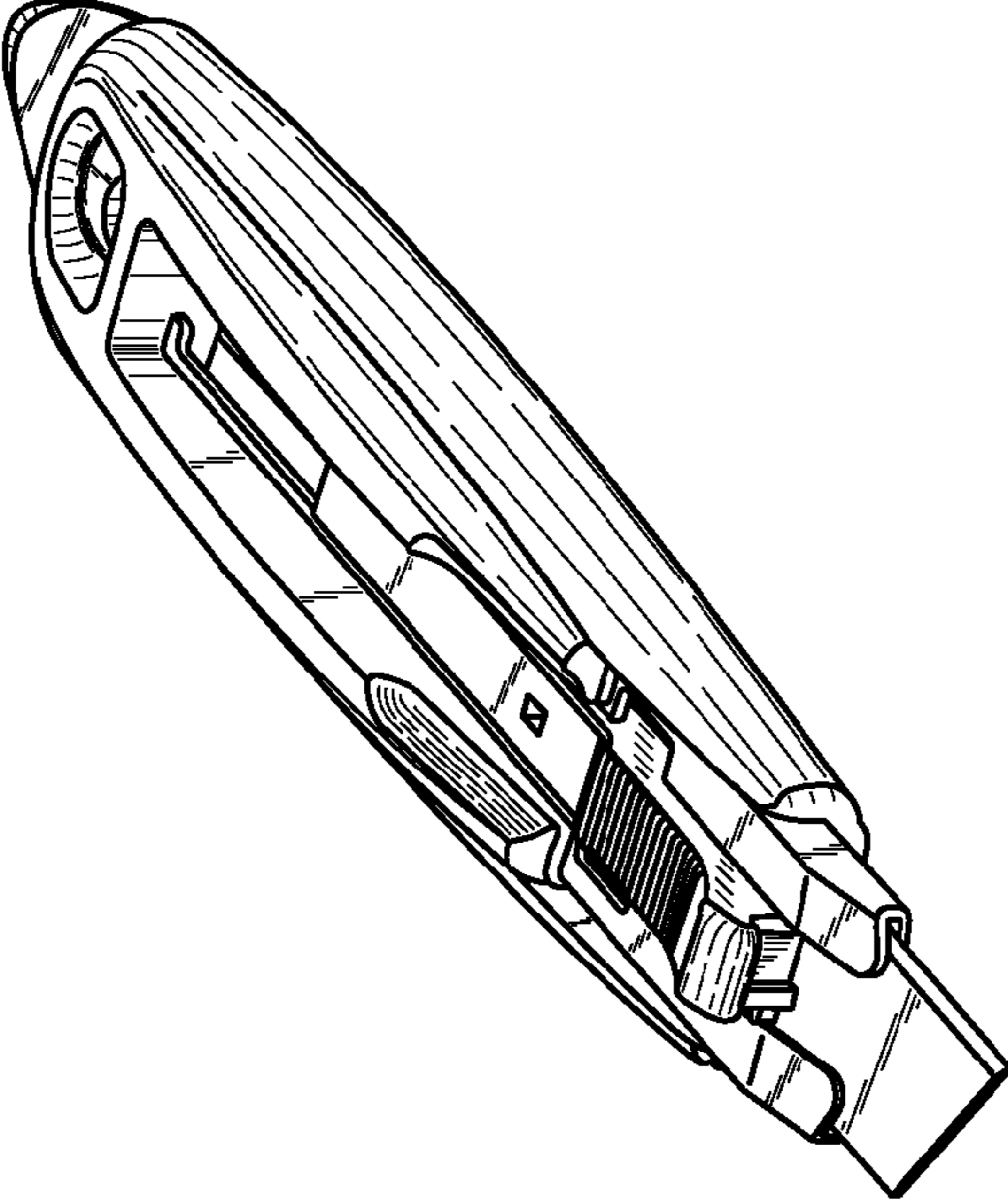


Fig. 2

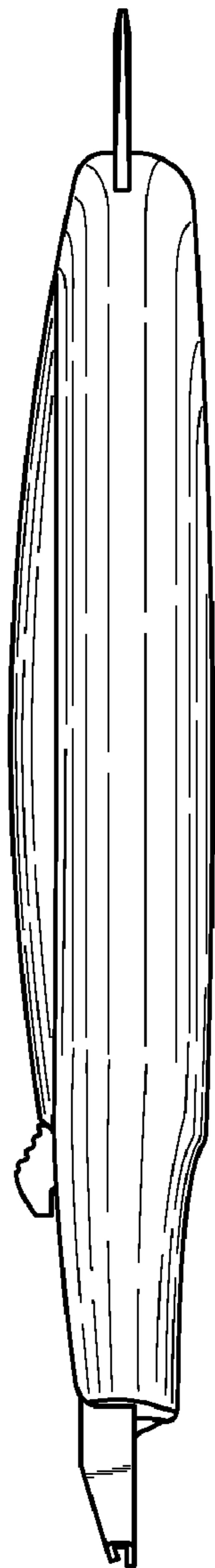


Fig. 3



Fig. 4

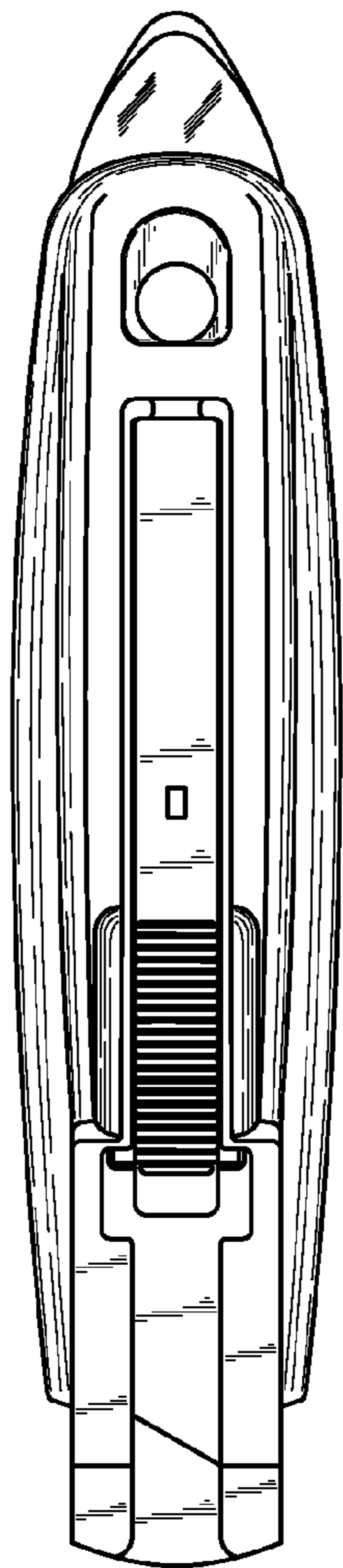


Fig. 5

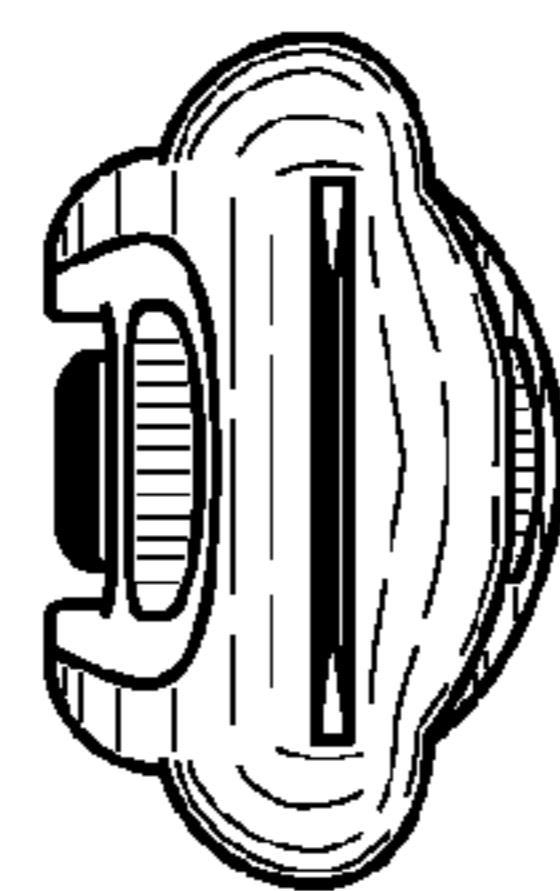


Fig. 7

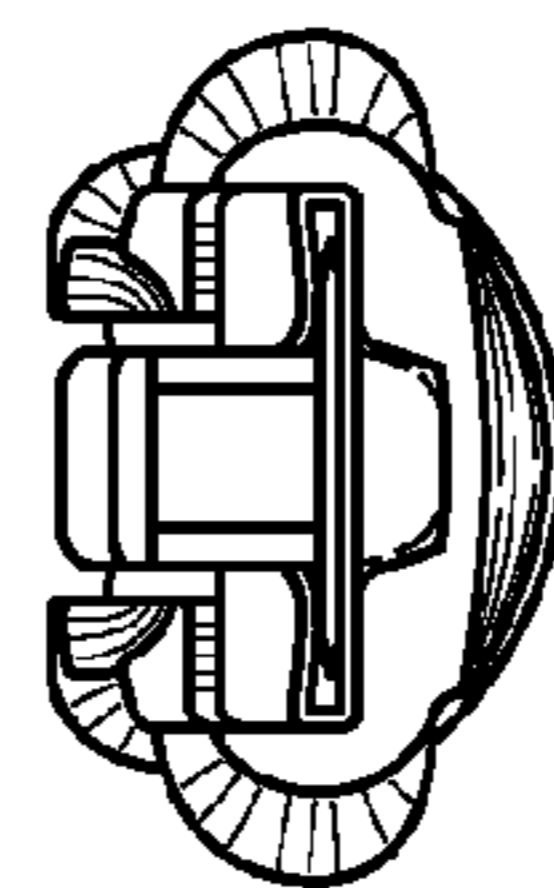


Fig. 6

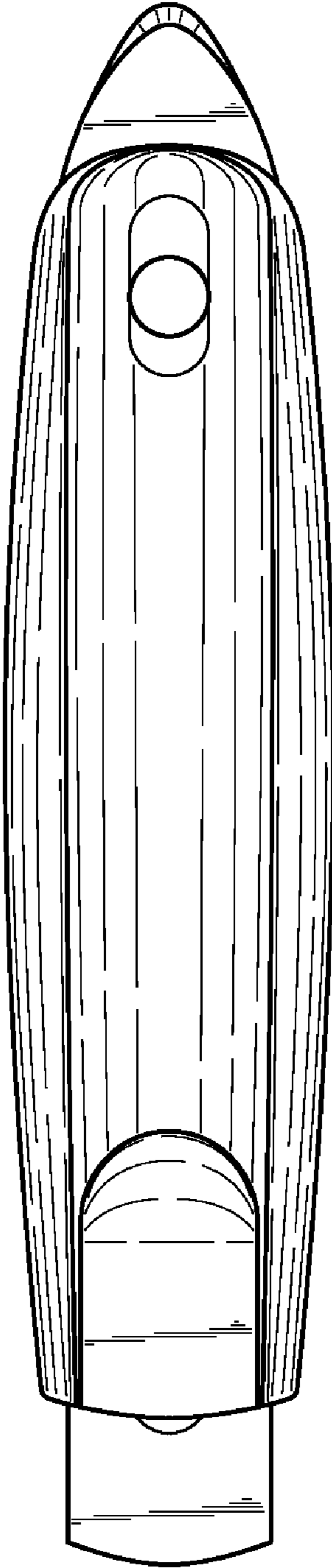


Fig. 8