



US00D606830S

(12) **United States Design Patent**
Murray

(10) **Patent No.:** **US D606,830 S**

(45) **Date of Patent:** **** *Dec. 29, 2009**

- (54) **DRILL WITH INTEGRAL LASER**
- (75) Inventor: **Thomas W. Murray**, Baltimore, MD
(US)
- (73) Assignee: **Black & Decker Inc.**, Newark, DE (US)
- (*) Notice: This patent is subject to a terminal disclaimer.
- (**) Term: **14 Years**
- (21) Appl. No.: **29/265,654**
- (22) Filed: **Sep. 6, 2006**

D506,914 S *	7/2005	Okuda	D8/68
D508,837 S *	8/2005	Andriolo	D8/68
7,066,691 B2 *	6/2006	Doyle et al.	408/124
D525,848 S *	8/2006	Kokawa	D8/68
D528,392 S *	9/2006	Koch et al.	D8/68
D533,040 S *	12/2006	Schoen	D8/68
D592,476 S *	5/2009	Aglassinger	D8/68
D599,639 S *	9/2009	Bradford et al.	D8/68
2005/0249564 A1 *	11/2005	Van Bergen et al.	408/241 R
2007/0193761 A1 *	8/2007	Brotto	173/217

* cited by examiner

Primary Examiner—Antoine D Davis

(74) *Attorney, Agent, or Firm*—Wesley W. Muller

- (51) **LOC (9) Cl.** **08-01**
- (52) **U.S. Cl.** **D8/68**
- (58) **Field of Classification Search** D8/14.1,
D8/61-70; 81/57.11, 429, 454-456, 469,
81/489, 124.2, 176.15; 173/13, 104, 114,
173/168-171, 178, 201, 211, 213, 217; 408/20,
408/124, 125, 234, 241 R; 451/358; 310/50;
227/8, 113, 114, 120, 130, 136, 142; 74/504
See application file for complete search history.

(57) **CLAIM**

The ornamental design for a drill with integral laser, as shown and described.

DESCRIPTION

FIG. 1 is a perspective view of a drill with integral laser according to the present invention;

FIG. 2 is a left side view of the drill with integral laser of FIG. 1;

FIG. 3 is a right side view of the drill with integral laser of FIG. 1;

FIG. 4 is a top view of the drill with integral laser of FIG. 1;

FIG. 5 is a bottom view of the drill with integral laser of FIG. 1;

FIG. 6 is an elevated front view of the drill with integral laser of FIG. 1; and,

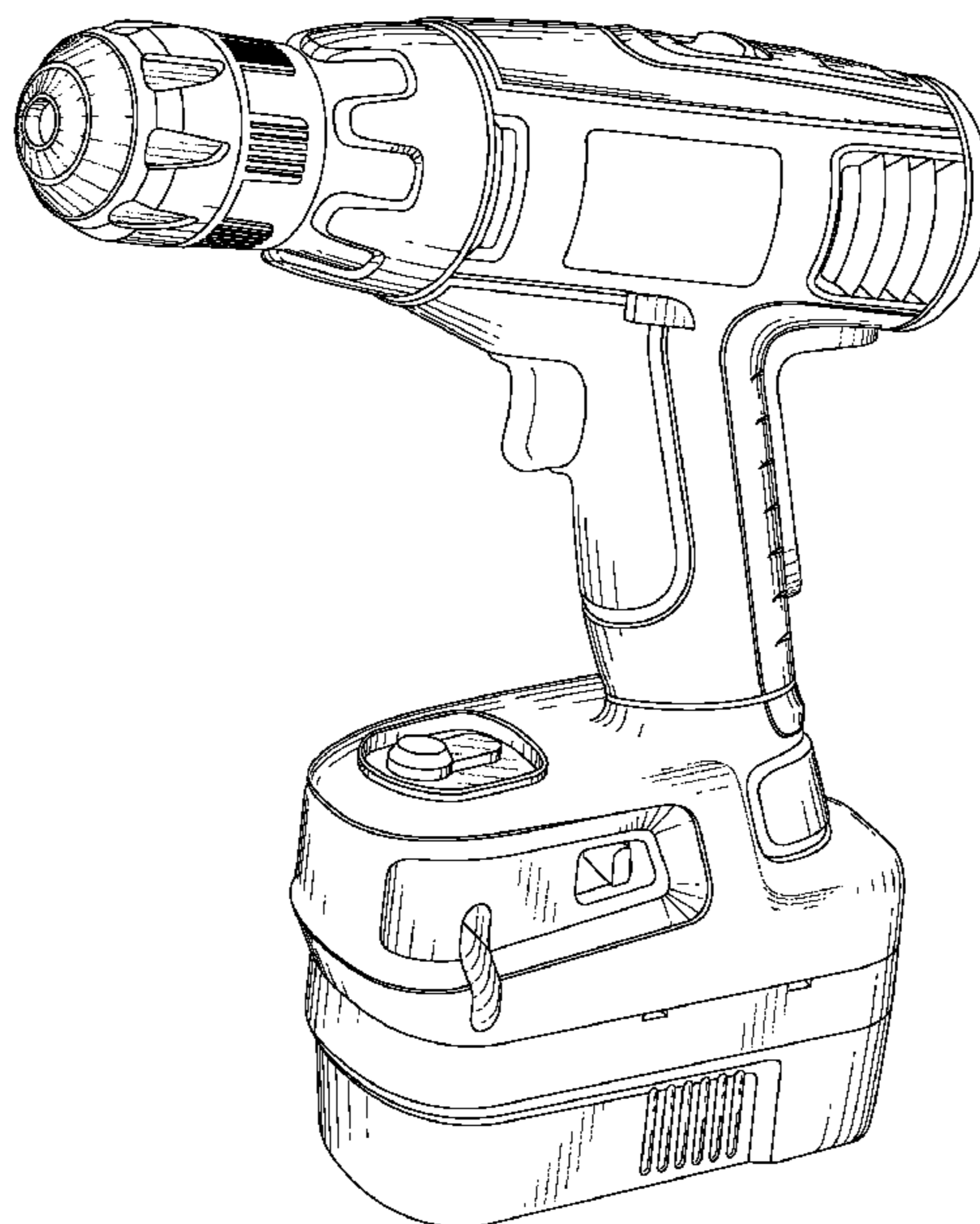
FIG. 7 is an elevated rear view of the drill with integral laser of FIG. 1.

(56) **References Cited**

U.S. PATENT DOCUMENTS

D378,268 S *	3/1997	Schultz	D8/68
D386,662 S *	11/1997	Tozawa et al.	D8/68
D396,177 S *	7/1998	Schultz	D8/68
D402,871 S *	12/1998	Clowers et al.	D8/68
5,882,016 A *	3/1999	Chiang	81/489
D419,413 S *	1/2000	Heun	D8/68
D421,883 S *	3/2000	Watson et al.	D8/68
6,308,378 B1 *	10/2001	Mooty et al.	173/162.1
D469,675 S *	2/2003	Chung	D8/68
D496,843 S *	10/2004	Sugawara et al.	D8/68

1 Claim, 7 Drawing Sheets



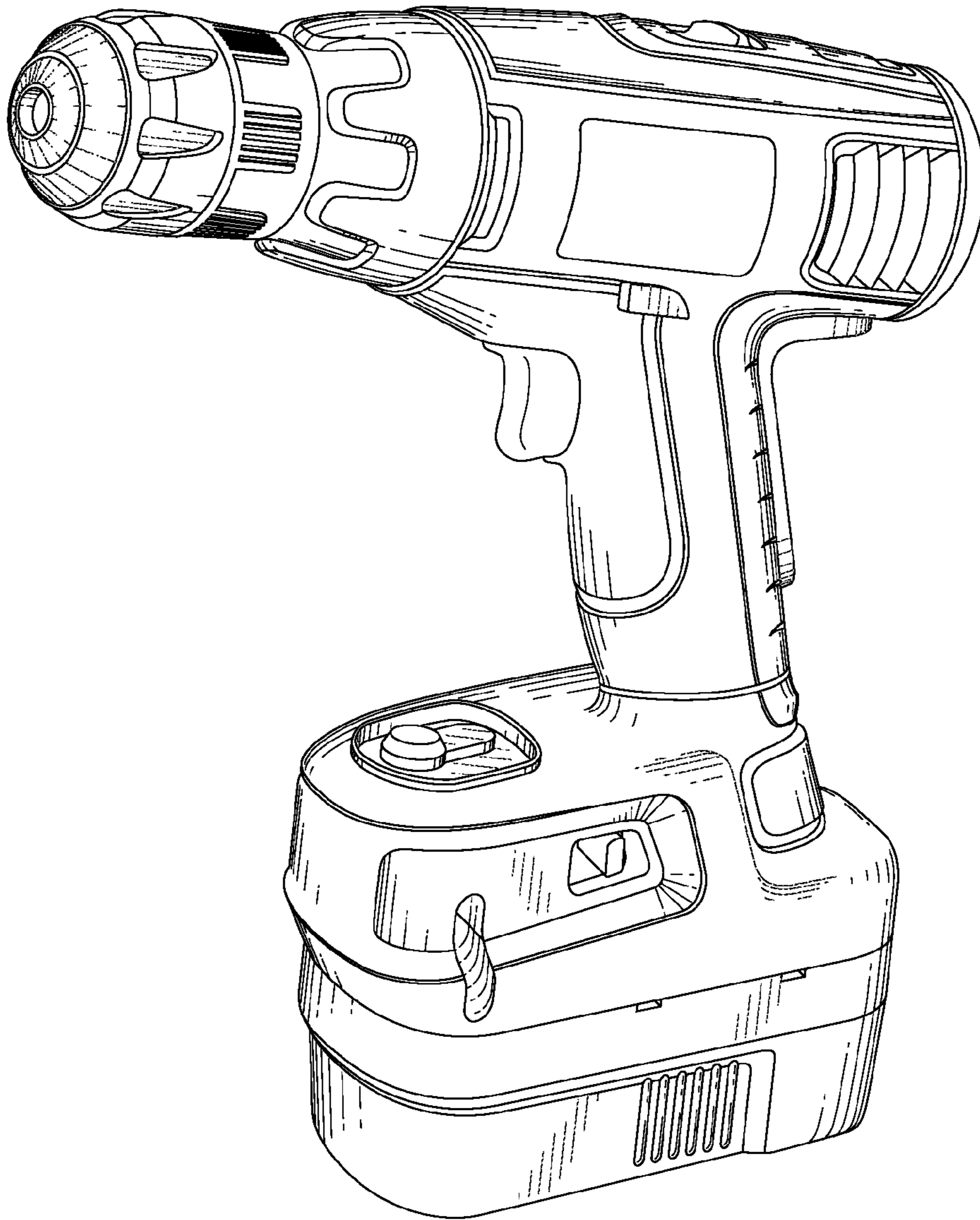


Fig. 1

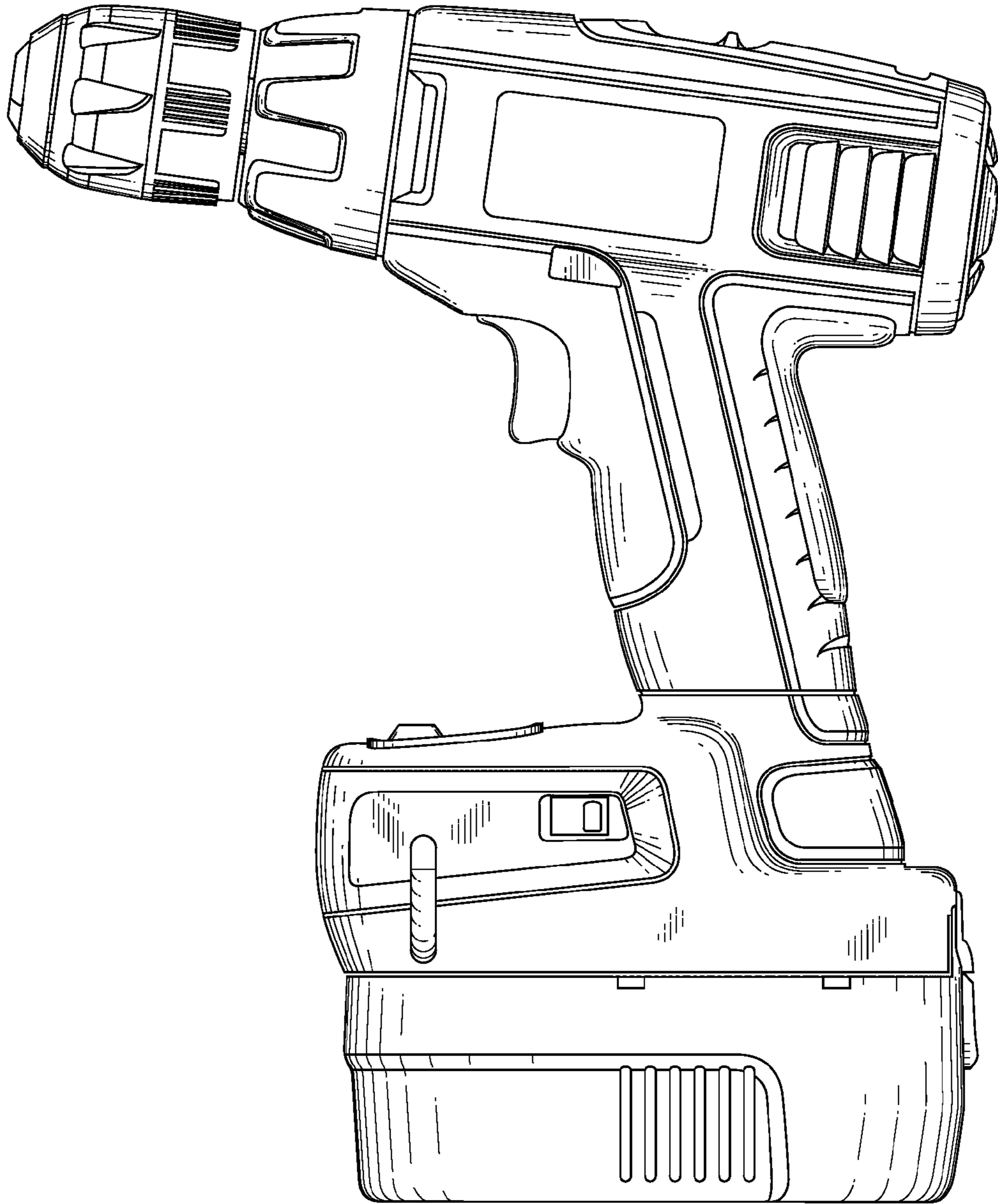


Fig. 2

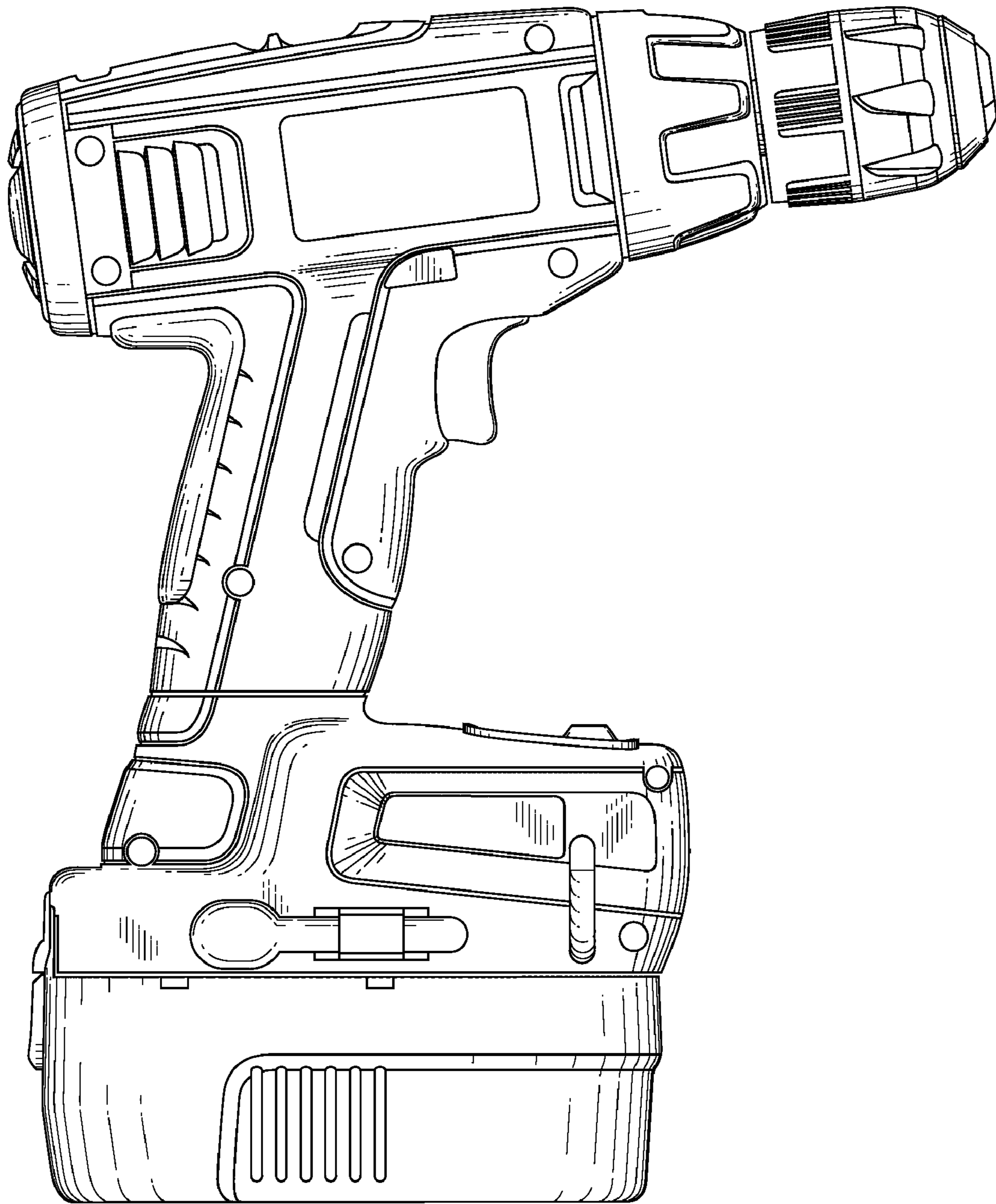


Fig. 3

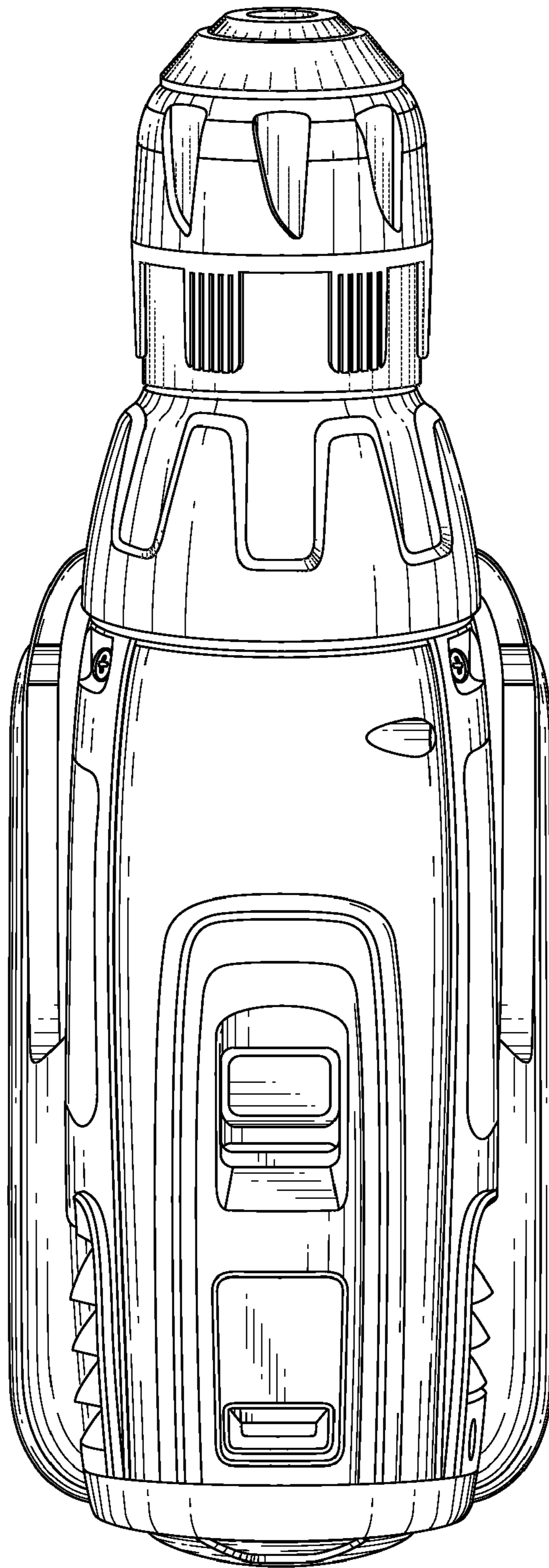


Fig. 4

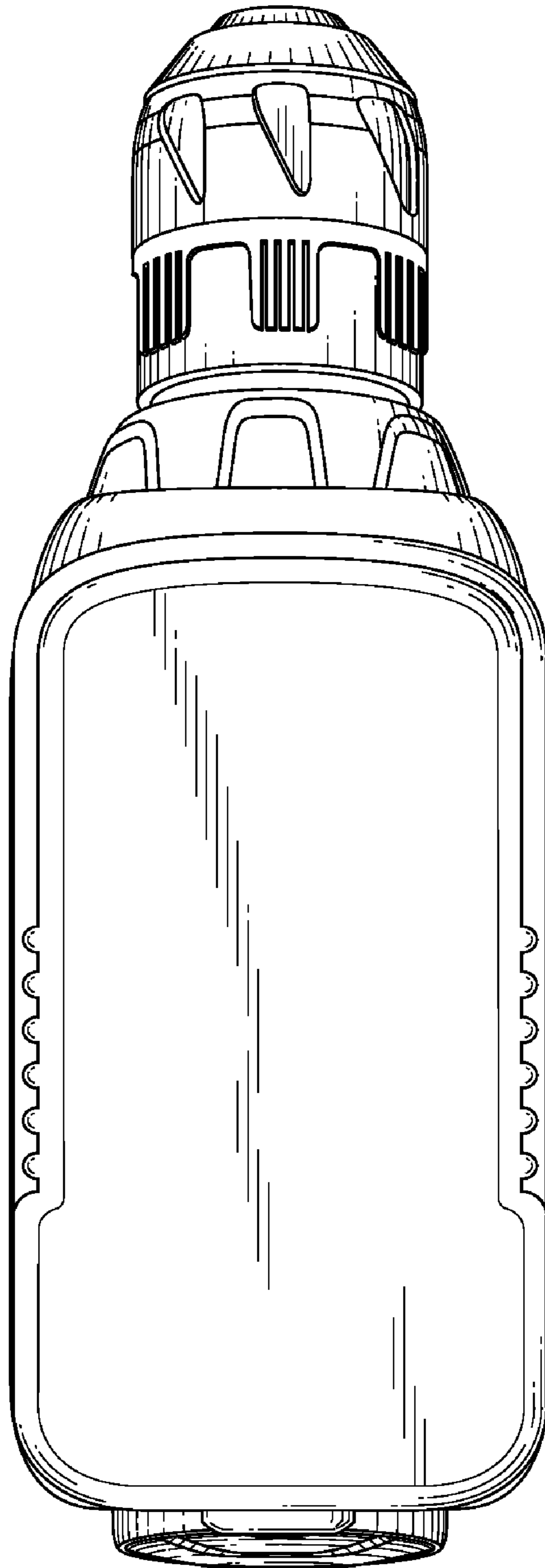


Fig. 5

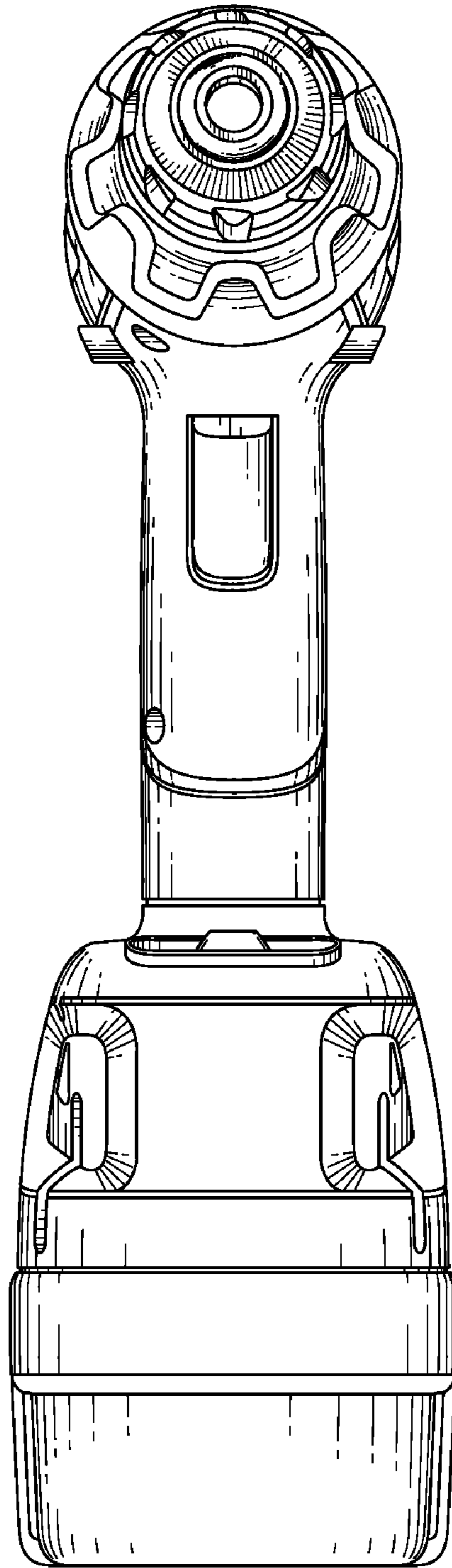


Fig. 6

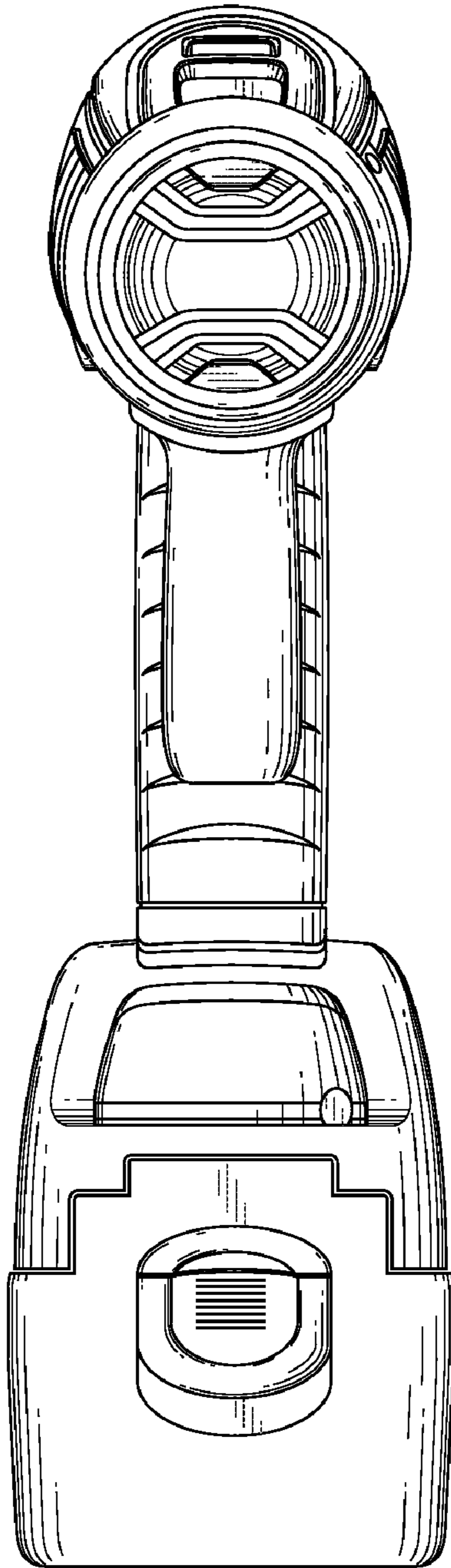


Fig. 7