



US00D606828S

(12) **United States Design Patent**
Misaki

(10) **Patent No.:** **US D606,828 S**

(45) **Date of Patent:** **** Dec. 29, 2009**

(54) **PORTABLE ELECTRIC GRINDER**

(75) Inventor: **Shingo Misaki, Anjo (JP)**

(73) Assignee: **Makita Corporation, Anjo-shi (JP)**

(**) Term: **14 Years**

(21) Appl. No.: **29/334,135**

(22) Filed: **Mar. 20, 2009**

(30) **Foreign Application Priority Data**

Oct. 20, 2008 (JP) 2008-026856

(51) **LOC (9) Cl.** **08-01**

(52) **U.S. Cl.** **D8/62**

(58) **Field of Classification Search** D32/15,
D32/17, 19; D8/67, 62, 61; D4/102; 451/456,
451/451, 359, 358, 357, 356, 355, 354, 353,
451/351, 344; 310/50; 173/170

See application file for complete search history.

(56) **References Cited**

U.S. PATENT DOCUMENTS

- D297,907 S * 10/1988 Hoshimo et al. D8/62
- 5,201,146 A * 4/1993 Fushiya 451/358
- 6,241,594 B1 * 6/2001 Lepold 451/359
- 6,527,630 B2 * 3/2003 Mannsperger et al. 451/344
- D475,263 S * 6/2003 Andriolo D8/62
- D494,827 S * 8/2004 Liu D8/62
- D498,653 S * 11/2004 Wu D8/62
- 6,962,523 B2 * 11/2005 Fraser et al. 451/259
- D521,833 S * 5/2006 Okuda et al. D8/62
- D522,334 S * 6/2006 Waldron D8/62
- D522,827 S * 6/2006 Corcoran D8/62
- D523,308 S * 6/2006 Corcoran D8/62
- D524,129 S * 7/2006 Waldron D8/62
- D538,615 S * 3/2007 Hastie D8/62
- D544,325 S * 6/2007 Wright D8/62
- D545,156 S * 6/2007 Waldron D8/62

- D548,034 S * 8/2007 Hayakawa et al. D8/62
- D558,016 S * 12/2007 Aglassinger et al. D8/62
- D564,321 S * 3/2008 Huguet et al. D8/62
- D567,610 S * 4/2008 Wright D8/62
- D581,759 S * 12/2008 Aglassinger D8/62
- 2003/0190877 A1 * 10/2003 Gallagher et al. 451/344

FOREIGN PATENT DOCUMENTS

- JP S-595048 2/1983
- JP S-635817 10/1984

OTHER PUBLICATIONS

Makita Concrete Planer, "Model PC1100 (with Offset Diamond Wheel)" Catalogue, printed Apr. 10, 1982.

* cited by examiner

Primary Examiner—Cathron C Brooks

Assistant Examiner—Austin Murphy

(74) *Attorney, Agent, or Firm*—Oliff & Berridge, PLC

(57) **CLAIM**

The ornamental design for a portable electric grinder, as shown and described.

DESCRIPTION

FIG. 1 is a perspective view of top, front and left side of a portable electric grinder showing my new design;

FIG. 2 is a front view thereof;

FIG. 3 is a rear view thereof;

FIG. 4 is a top plan view thereof;

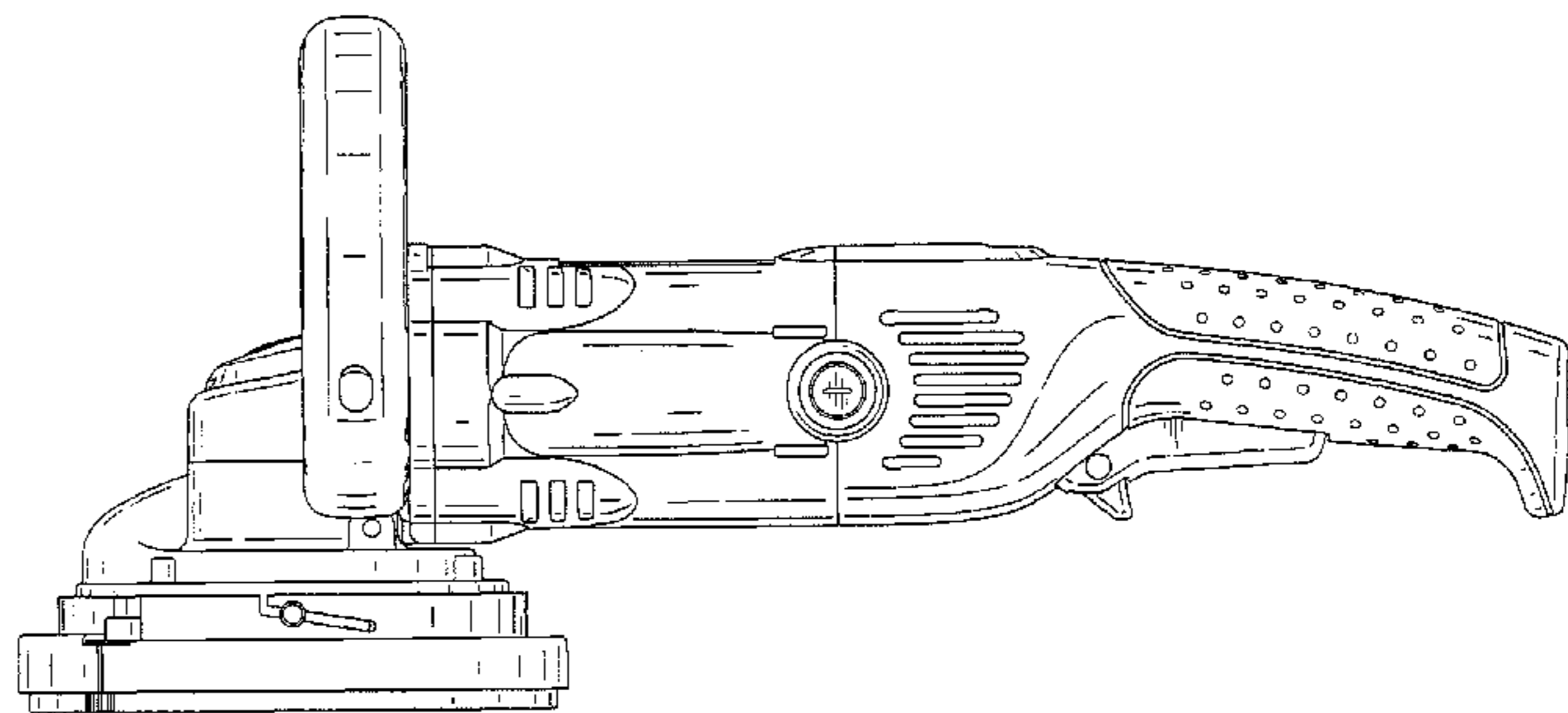
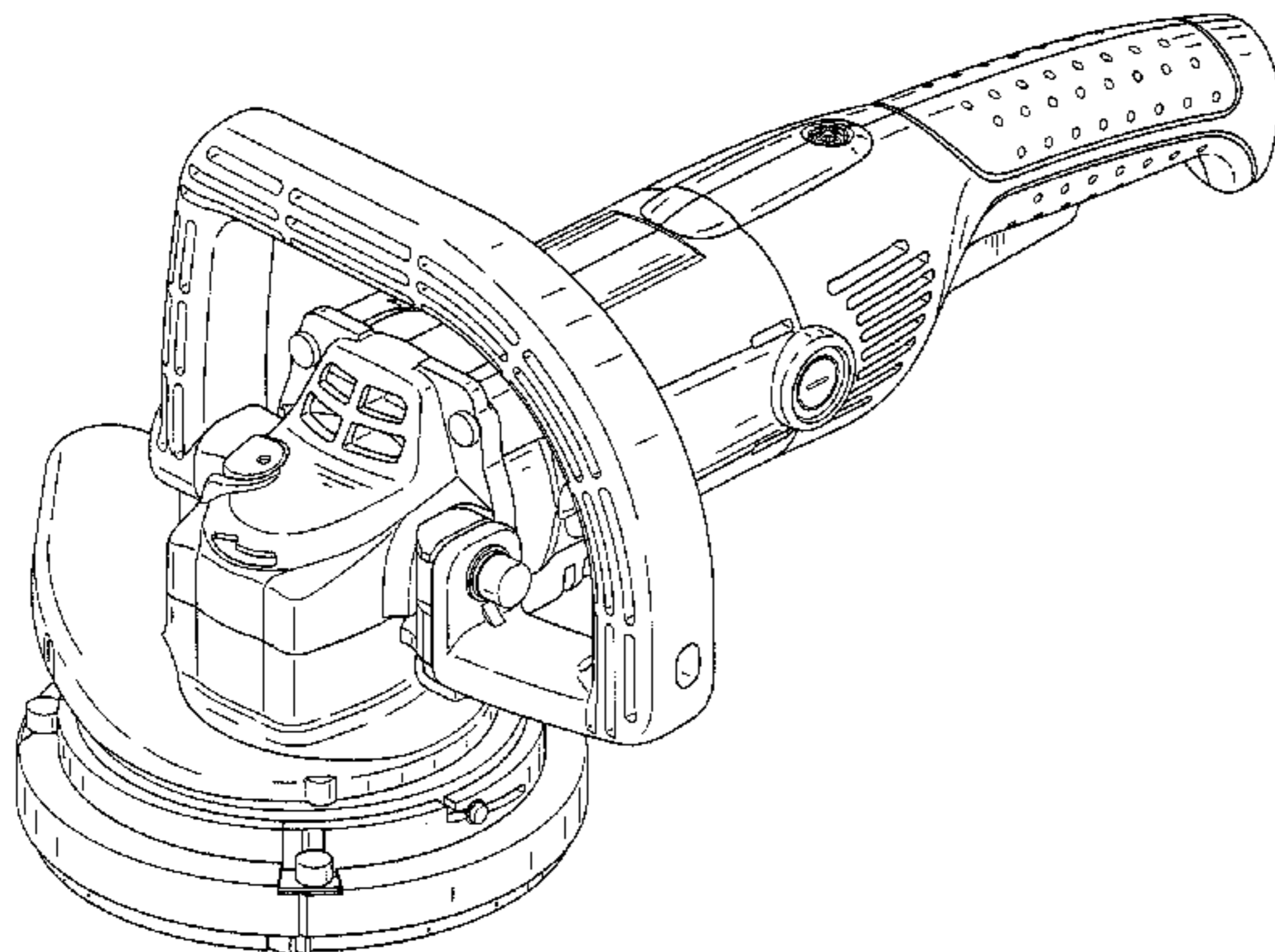
FIG. 5 is a bottom view thereof;

FIG. 6 is a left side view thereof; and,

FIG. 7 is a right side view thereof.

The portion of the article in broken lines are shown for illustrative purposes only and form no part of the claimed design.

1 Claim, 6 Drawing Sheets



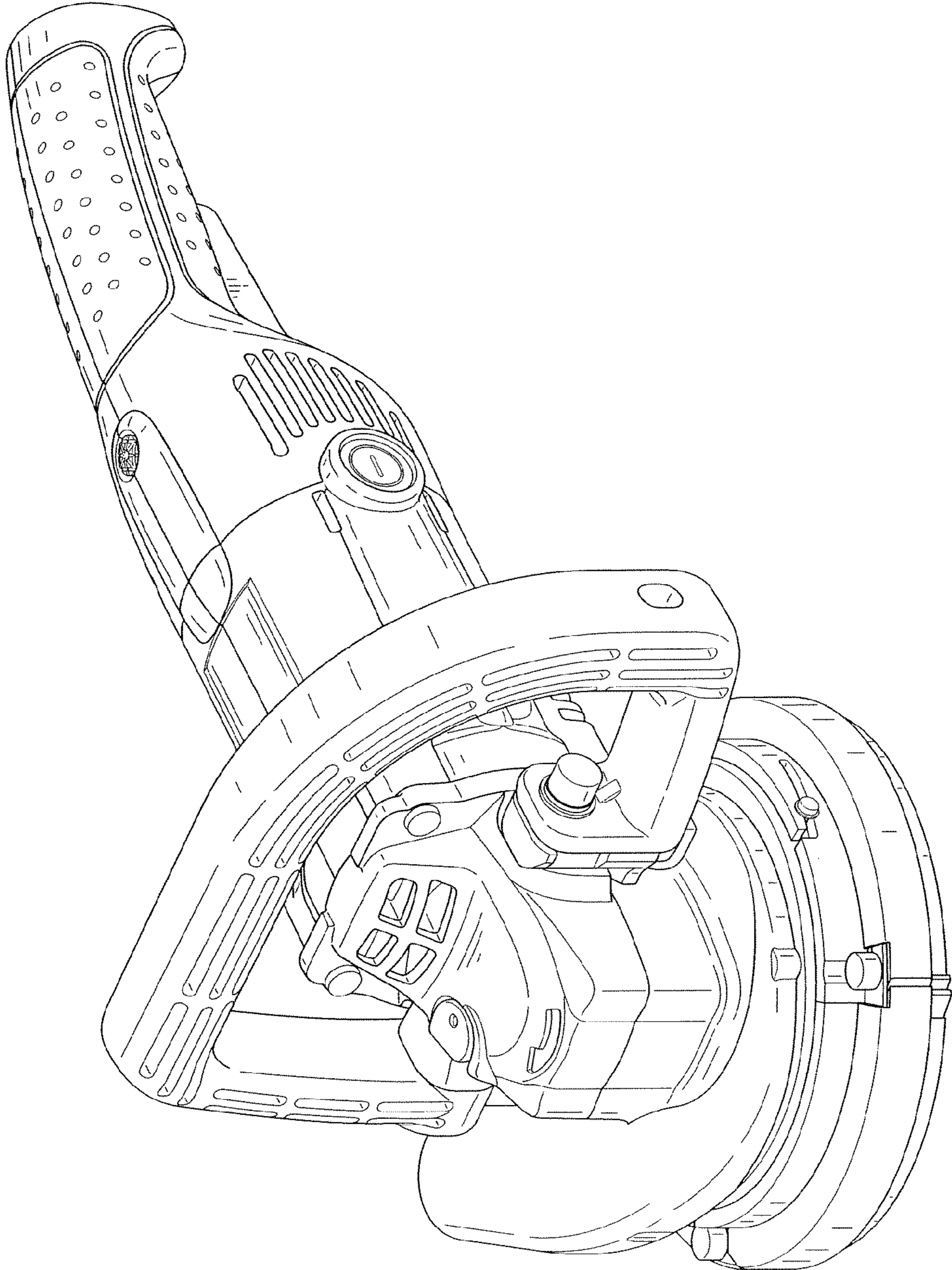


FIG. 1

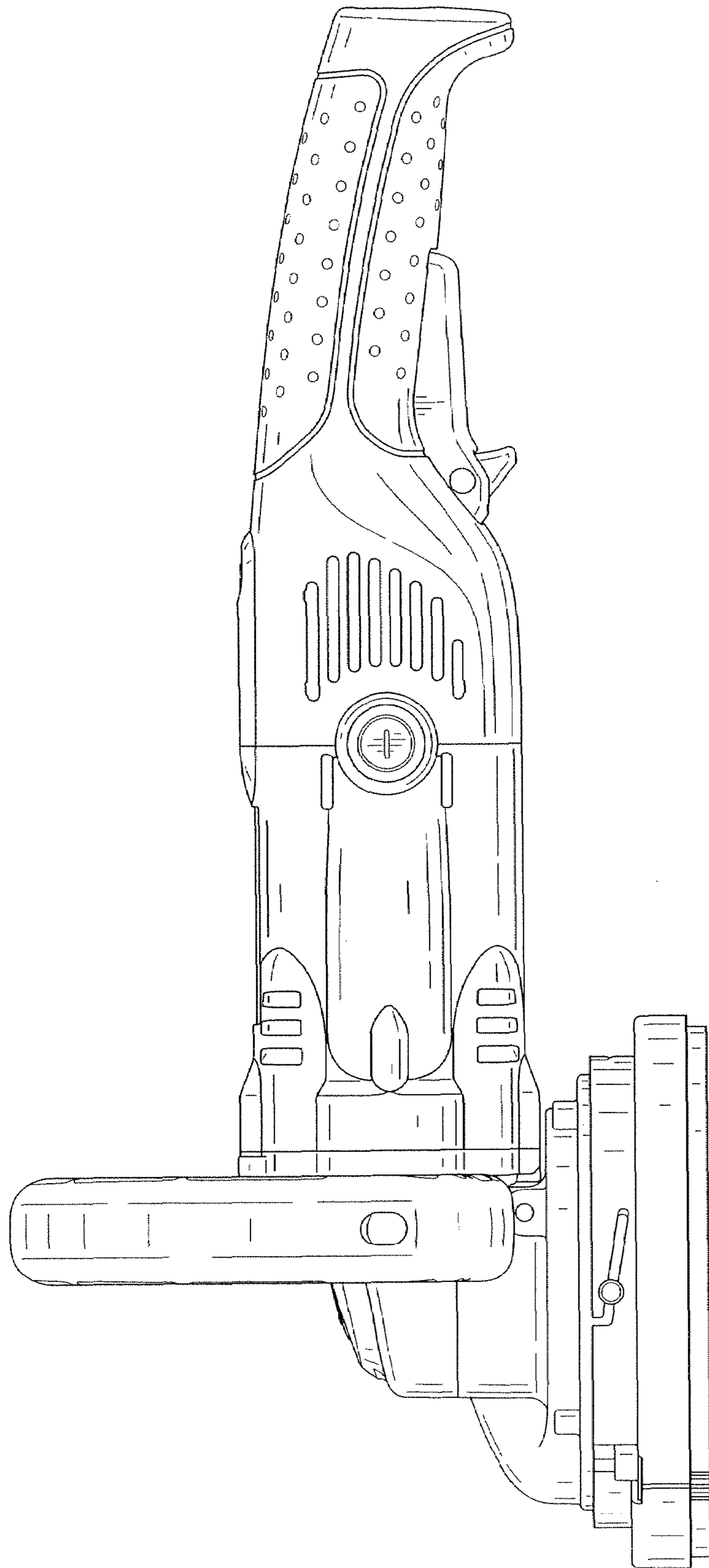


FIG. 2

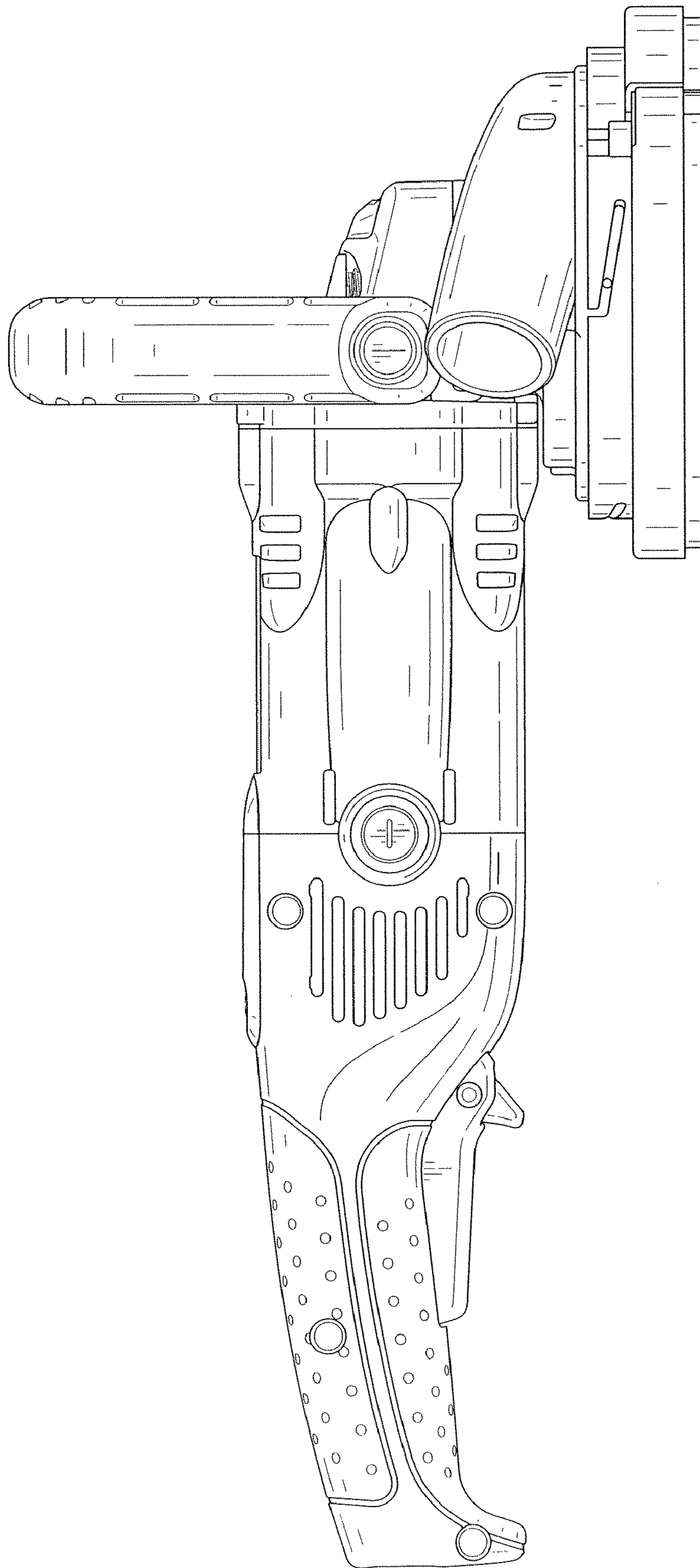


FIG. 3

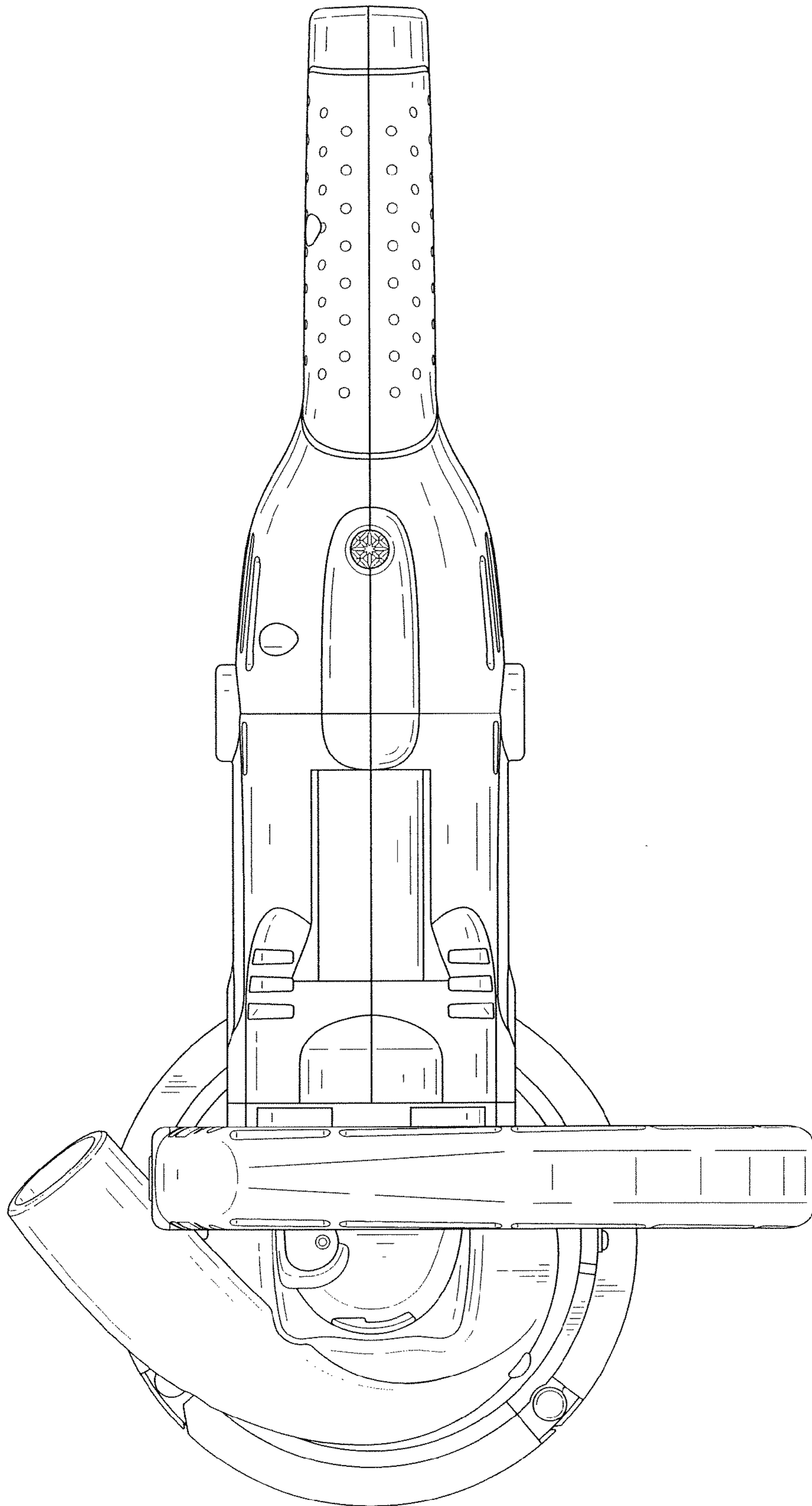


FIG. 4

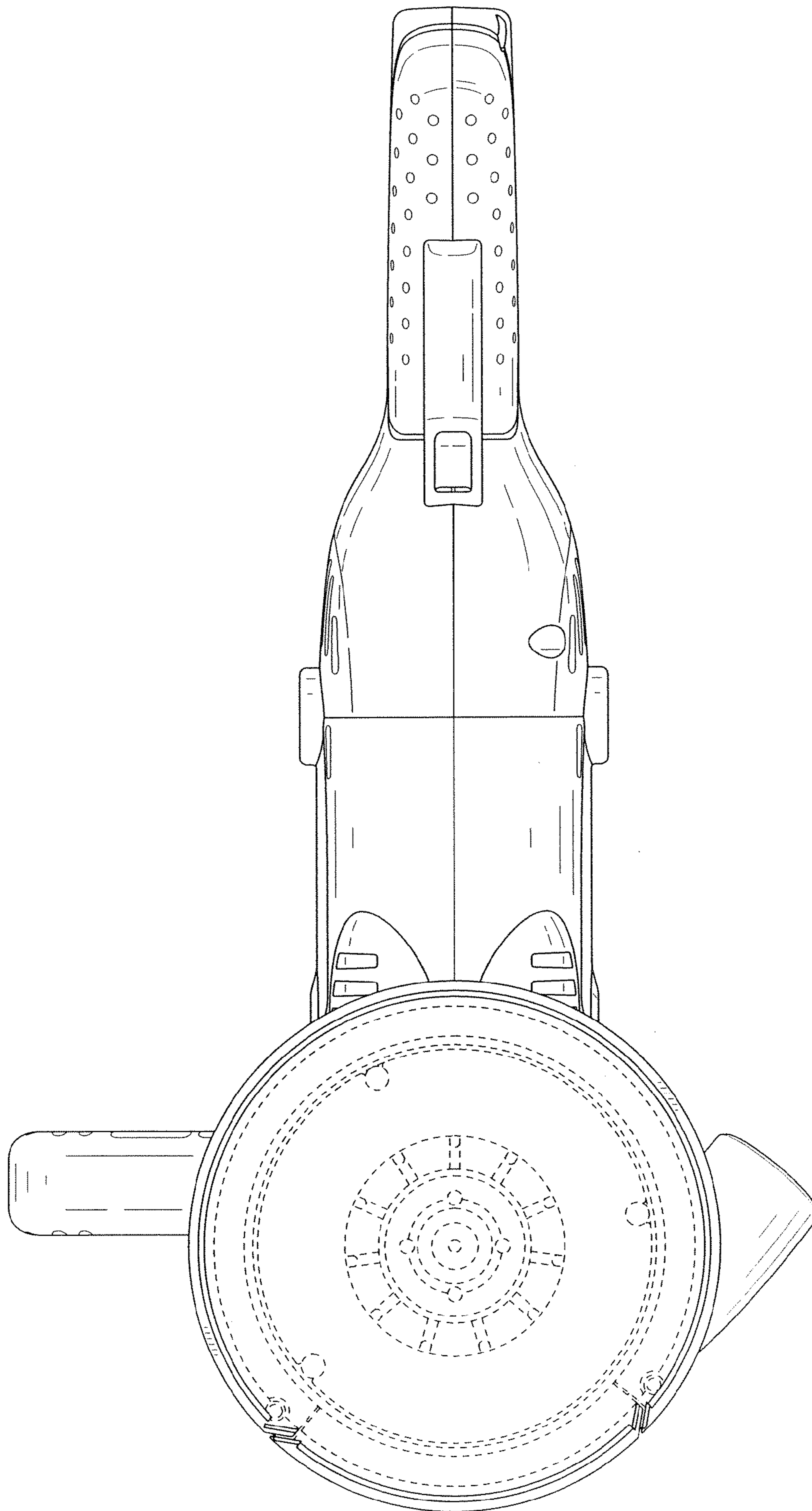


FIG. 5

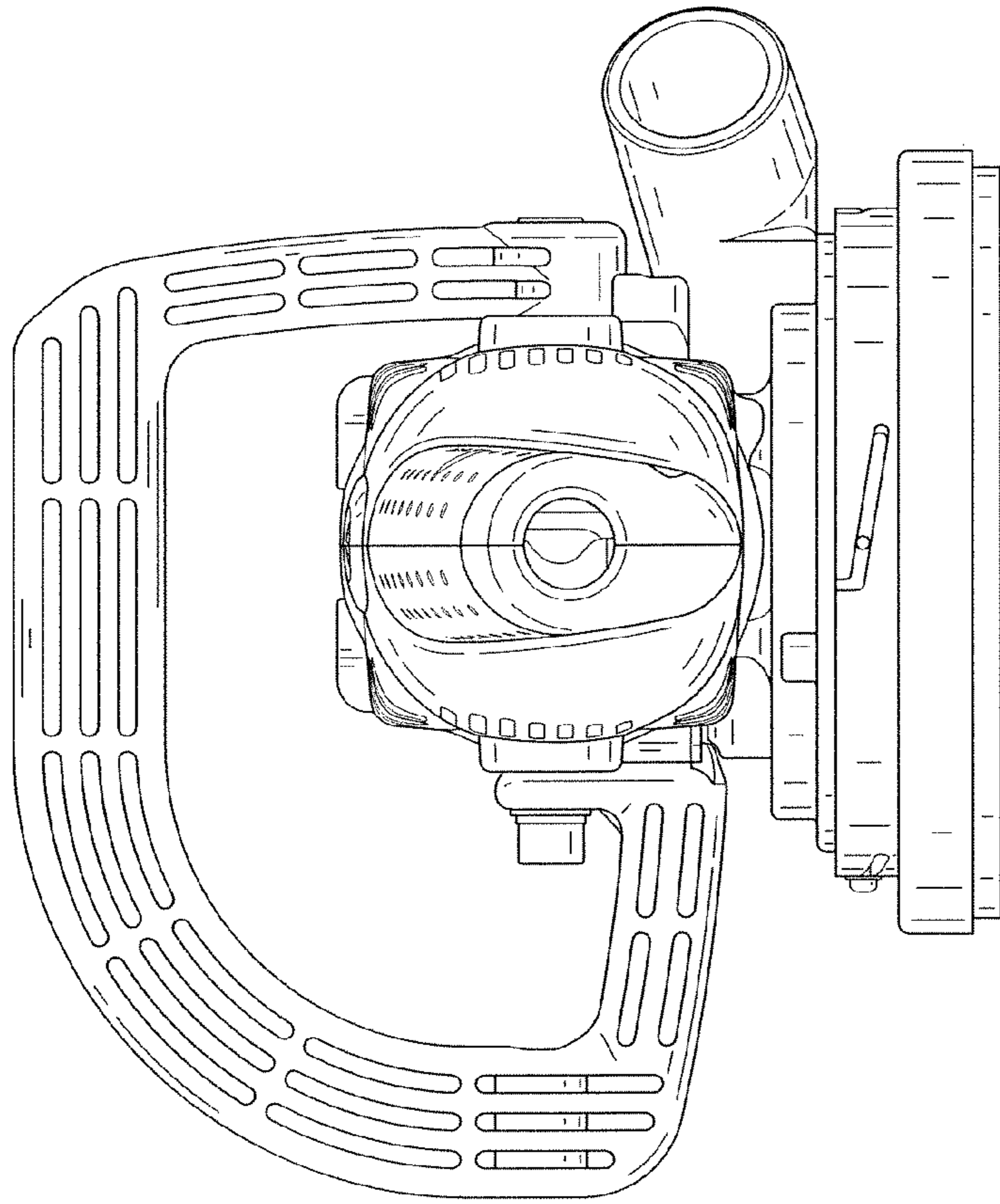


FIG. 7

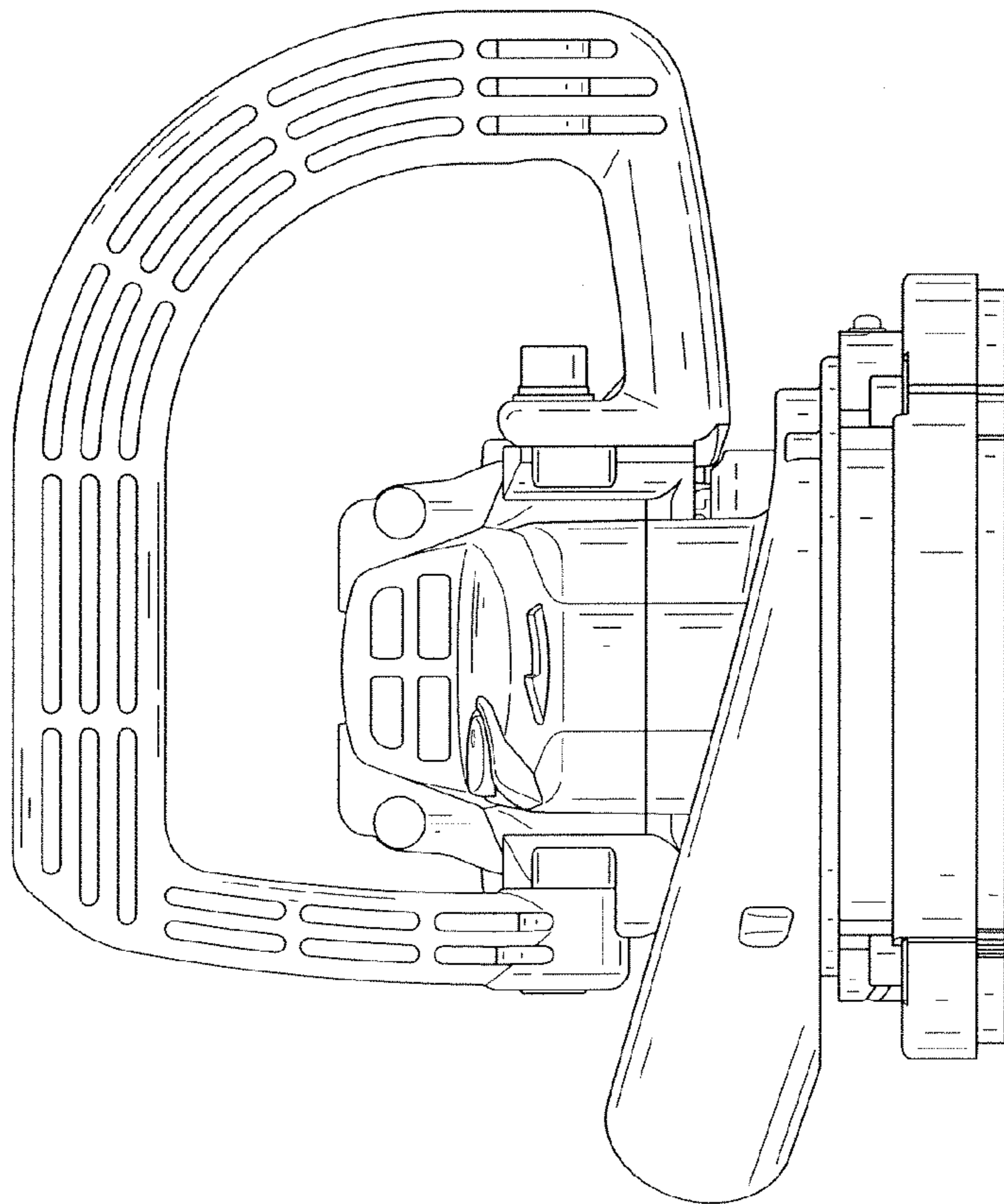


FIG. 6