



US00D606827S

(12) **United States Design Patent**
Fritz et al.

(10) **Patent No.:** **US D606,827 S**

(45) **Date of Patent:** **** Dec. 29, 2009**

(54) **SMALL, PORTABLE POWER TOOL**

(75) Inventors: **Peter J Fritz**, Minneapolis, MN (US);
Michael J Annen, Hudson, WI (US);
Peter A Felipe, Sr., St Paul, MN (US);
Nathan A. Abel, Minneapolis, MN (US);
Adam M Spah, Blaine, MN (US);
Matthew D. Chaffee, White Bear Lake,
MN (US); **Lowell W Holland**, St Paul
Park, MN (US); **Dave J Wilk**, St Paul,
MN (US); **Timothy T Beyer**, Nuneaton
(GB)

(73) Assignee: **3M Innovative Properties Company**,
St. Paul, MN (US)

(**) Term: **14 Years**

(21) Appl. No.: **29/338,778**

(22) Filed: **Jun. 18, 2009**

(51) **LOC (9) Cl.** **08-01**

(52) **U.S. Cl.** **D8/61; D8/68**

(58) **Field of Classification Search** D8/61,
D8/62, 67, 69; 81/57, 57.11, 57.14, 57.26,
81/429, 464, 469; 173/2, 170, 176, 181
See application file for complete search history.

(56) **References Cited**

U.S. PATENT DOCUMENTS

D136,743	S *	11/1943	Little	D8/68
2,350,098	A	5/1944	Decker		
D154,713	S *	8/1949	Robillard	D8/68
2,794,303	A	6/1957	Wickes		
2,958,166	A	11/1960	Foland		
3,041,156	A	6/1962	Rowse		
3,270,467	A	9/1966	Block et al.		
3,418,675	A	12/1968	Meguiar et al.		
3,562,968	A	2/1971	Johnson et al.		
3,667,170	A	6/1972	Mackay, Jr.		
4,314,827	A	2/1982	Leitheiser et al.		
D275,444	S *	9/1984	Totsu	D8/68
4,588,419	A	5/1986	Caul et al.		
4,623,364	A	11/1986	Cottringer et al.		

4,734,104	A	3/1988	Broberg
4,737,163	A	4/1988	Larkey
4,744,802	A	5/1988	Schwabel
4,751,138	A	6/1988	Tumey et al.
4,770,671	A	9/1988	Monroe et al.

(Continued)

FOREIGN PATENT DOCUMENTS

EP 0306161 3/1989

(Continued)

OTHER PUBLICATIONS

U.S. Appl. No. 29/338,780, entitled "Stem for a Power Tool Attachment," filed Jun. 18, 2009.

(Continued)

Primary Examiner—Cathron C Brooks

Assistant Examiner—Austin Murphy

(74) *Attorney, Agent, or Firm*—Steven E. Skolnick

(57) **CLAIM**

The ornamental design for a small, portable power tool, as shown and described.

DESCRIPTION

FIG. 1 is a perspective view of a power tool showing the new design for a small, portable power tool;

FIG. 2 is a left side view thereof (the right side being a mirror image thereof);

FIG. 3 is a rear view thereof;

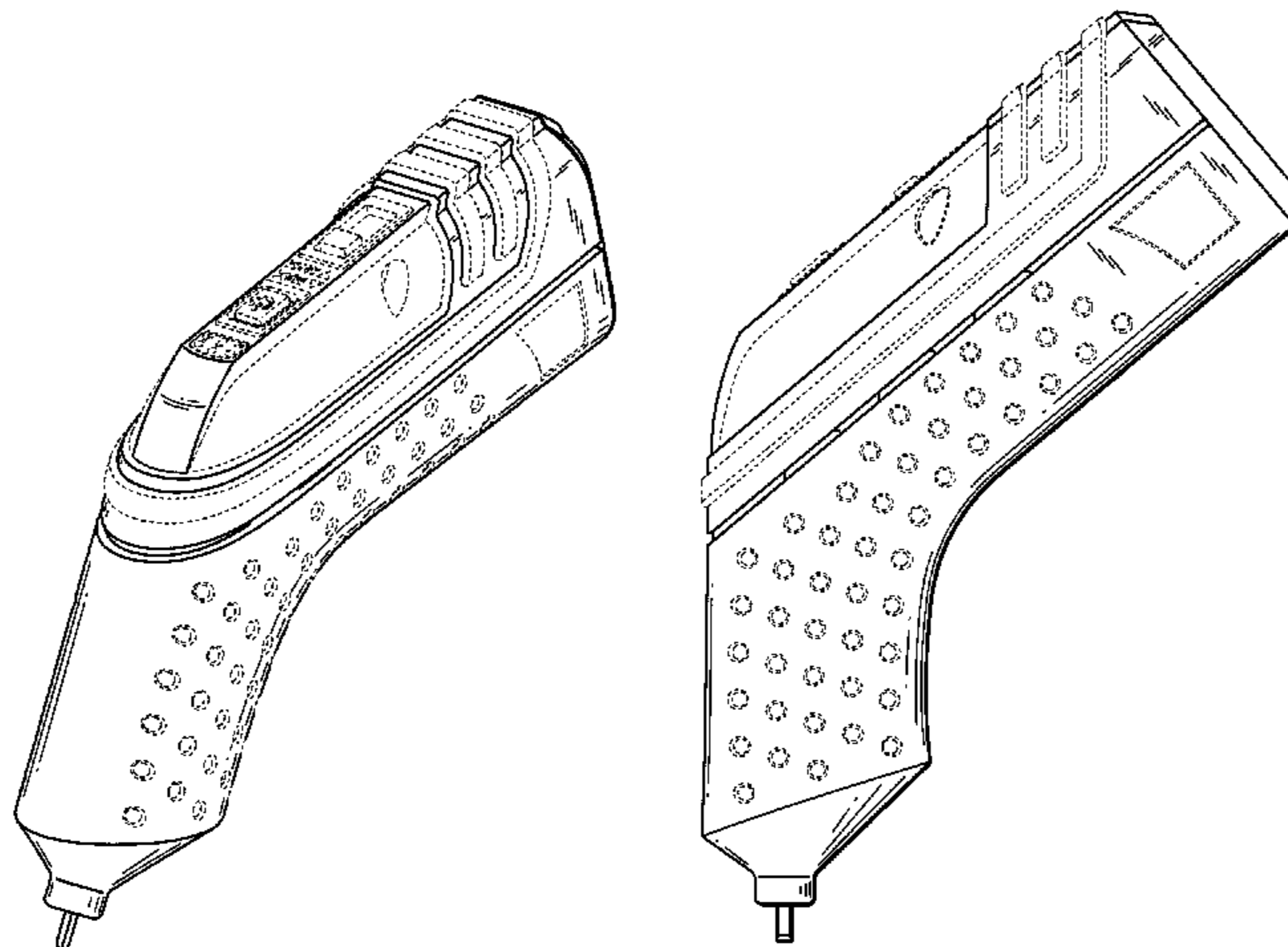
FIG. 4 is a front view thereof;

FIG. 5 is a bottom view thereof; and,

FIG. 6 is a top view thereof.

The broken lines shown in the drawings represent unclaimed portions of the Small, Portable Power Tool and form no part of the claimed design.

1 Claim, 3 Drawing Sheets



US D606,827 S

U.S. PATENT DOCUMENTS

D301,496 S * 6/1989 Yonesawa et al. D8/68
 4,854,085 A 8/1989 Huber
 4,881,951 A 11/1989 Wood et al.
 4,927,431 A 5/1990 Buchanan et al.
 4,962,562 A 10/1990 Englund et al.
 4,985,340 A 1/1991 Palazzotto et al.
 4,997,461 A 3/1991 Markhoff-Matheny et al.
 5,009,675 A 4/1991 Kunz et al.
 5,011,508 A 4/1991 Wald et al.
 5,014,468 A 5/1991 Ravipati et al.
 5,042,991 A 8/1991 Kunz et al.
 5,054,149 A 10/1991 Si-Hoe et al.
 5,078,753 A 1/1992 Broberg et al.
 5,085,671 A 2/1992 Martin et al.
 D325,857 S * 5/1992 Hasegawa et al. D8/61
 5,123,216 A 6/1992 Kloss et al.
 5,152,917 A 10/1992 Pieper et al.
 5,203,884 A 4/1993 Buchanan et al.
 5,209,022 A 5/1993 McCambridge
 5,213,591 A 5/1993 Celikkaya et al.
 5,292,352 A 3/1994 Rudolf et al.
 5,304,223 A 4/1994 Pieper et al.
 5,311,633 A 5/1994 Herzog et al.
 5,366,523 A 11/1994 Rowenhorst et al.
 5,378,251 A 1/1995 Culler et al.
 5,396,737 A 3/1995 Englund et al.
 5,417,726 A 5/1995 Stout et al.
 5,435,816 A 7/1995 Spurgeon et al.
 5,436,063 A 7/1995 Follett et al.
 5,454,844 A 10/1995 Hibbard et al.
 5,482,499 A 1/1996 Satoh
 5,490,878 A 2/1996 Peterson et al.
 5,496,386 A 3/1996 Broberg et al.
 5,520,711 A 5/1996 Helmin
 5,520,957 A 5/1996 Bange et al.
 5,549,962 A 8/1996 Holmes et al.
 5,609,706 A 3/1997 Benedict et al.
 5,637,034 A 6/1997 Everts et al.
 5,672,097 A 9/1997 Hoopman
 5,672,186 A 9/1997 Chesley et al.
 5,681,213 A 10/1997 Hashii
 5,681,217 A 10/1997 Hoopman et al.
 5,700,302 A 12/1997 Stoetzel et al.
 5,766,277 A 6/1998 DeVoe et al.
 5,822,821 A 10/1998 Sham
 5,846,123 A 12/1998 Brown et al.
 5,851,247 A 12/1998 Stoetzel et al.
 D403,936 S * 1/1999 Somers D8/68
 5,910,471 A 6/1999 Christianson et al.
 5,913,716 A 6/1999 Mucci et al.
 5,919,085 A 7/1999 Izumisawa
 5,942,015 A 8/1999 Culler et al.

5,954,844 A 9/1999 Law et al.
 5,958,794 A 9/1999 Bruxvoort et al.
 5,961,674 A 10/1999 Gagliardi et al.
 5,962,120 A 10/1999 Keipert
 5,975,988 A 11/1999 Christianson
 5,994,450 A 11/1999 Pearce
 6,013,711 A 1/2000 Lewis et al.
 6,059,850 A 5/2000 Lise et al.
 6,077,601 A 6/2000 DeVoe et al.
 6,099,397 A 8/2000 Wurst
 6,139,594 A 10/2000 Kincaid et al.
 6,228,133 B1 5/2001 Thurber et al.
 D443,491 S * 6/2001 Robson D8/61
 6,261,682 B1 7/2001 Law
 6,277,160 B1 8/2001 Stubbs et al.
 6,306,023 B1 10/2001 Gmeilbauer
 D459,180 S * 6/2002 Morgan D8/68
 D462,593 S * 9/2002 Nottingham et al. D8/68
 D472,439 S * 4/2003 Chunn et al. D8/61
 D476,542 S * 7/2003 Chunn et al. D8/61
 D485,737 S * 1/2004 Schaub et al. D8/68
 D486,713 S * 2/2004 Lai D8/68
 6,797,765 B2 9/2004 Pearce
 6,846,232 B2 1/2005 Braunschweig et al.
 6,908,979 B2 6/2005 Arendoski
 6,923,840 B2 8/2005 Schutz et al.
 6,929,539 B2 8/2005 Schutz et al.
 D509,719 S * 9/2005 Chu D8/61
 D513,160 S * 12/2005 DeBoer et al. D8/68
 D526,550 S * 8/2006 Aglassinger D8/68
 D526,872 S * 8/2006 Snider D8/68
 D531,872 S * 11/2006 Aglassinger D8/68
 D548,558 S * 8/2007 Murray D8/68
 D576,854 S * 9/2008 Aglassinger D8/68
 D582,742 S * 12/2008 Aglassinger D8/68
 D586,637 S * 2/2009 Tirone et al. D8/68
 2001/0041511 A1 11/2001 Lack et al.
 2003/0022604 A1 1/2003 Annen et al.
 2003/0143938 A1 7/2003 Braunschweig et al.
 2003/0207659 A1 11/2003 Annen et al.
 2005/0020190 A1 1/2005 Schutz et al.
 2007/0046110 A1 * 3/2007 Liu 310/50
 2008/0233845 A1 9/2008 Annen et al.
 2008/0257577 A1 * 10/2008 Tanaka et al. 173/4

FOREIGN PATENT DOCUMENTS

EP 0306162 3/1989

OTHER PUBLICATIONS

U.S. Appl. No. 12/051,949, entitled "Methods of Removing Defects in Surfaces," filed Mar. 20, 2008.

* cited by examiner

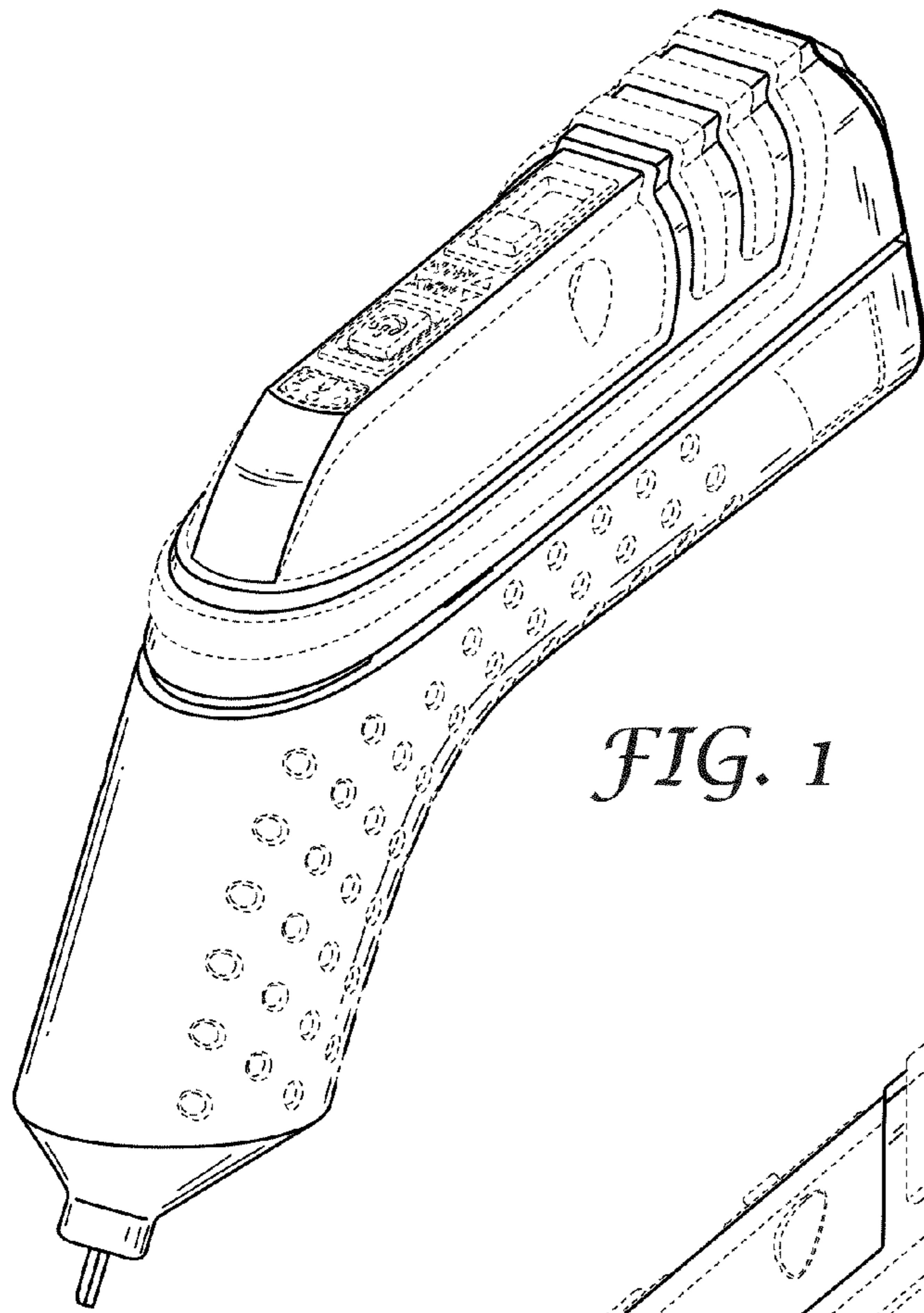


FIG. 1

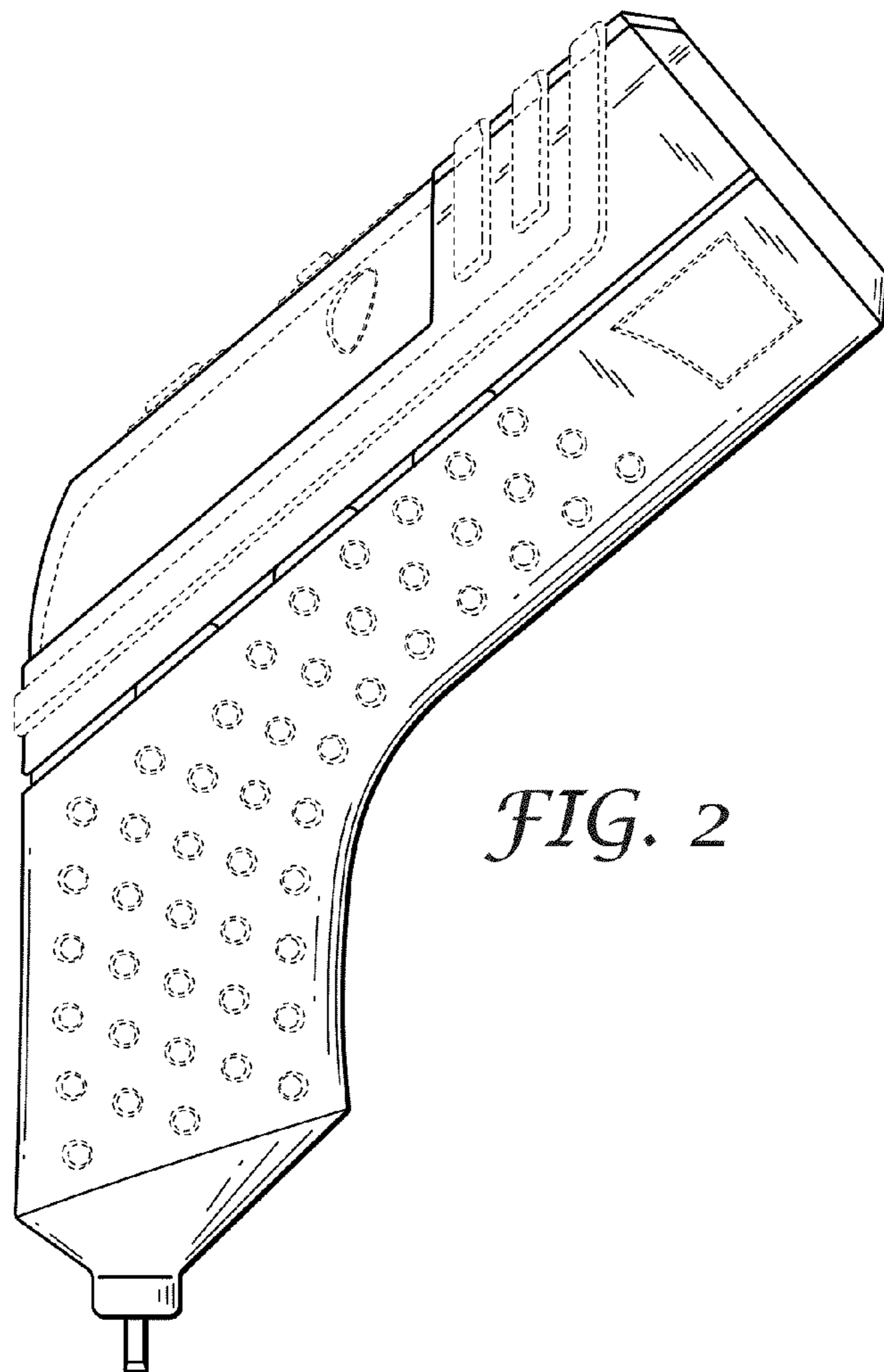


FIG. 2

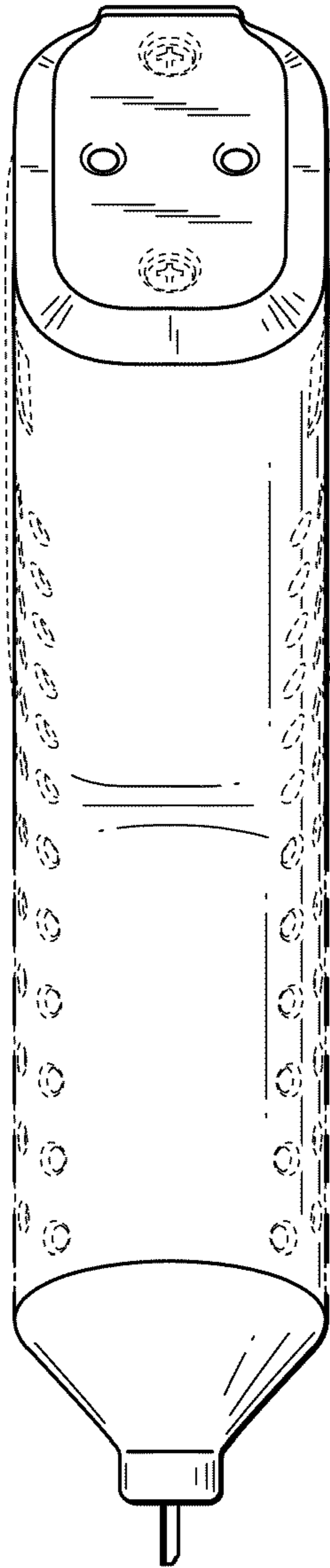


FIG. 3

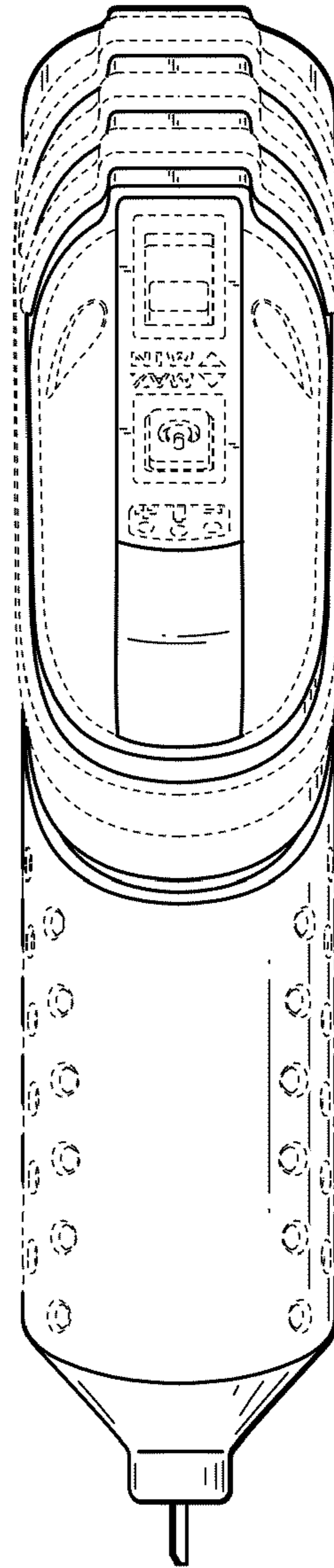


FIG. 4

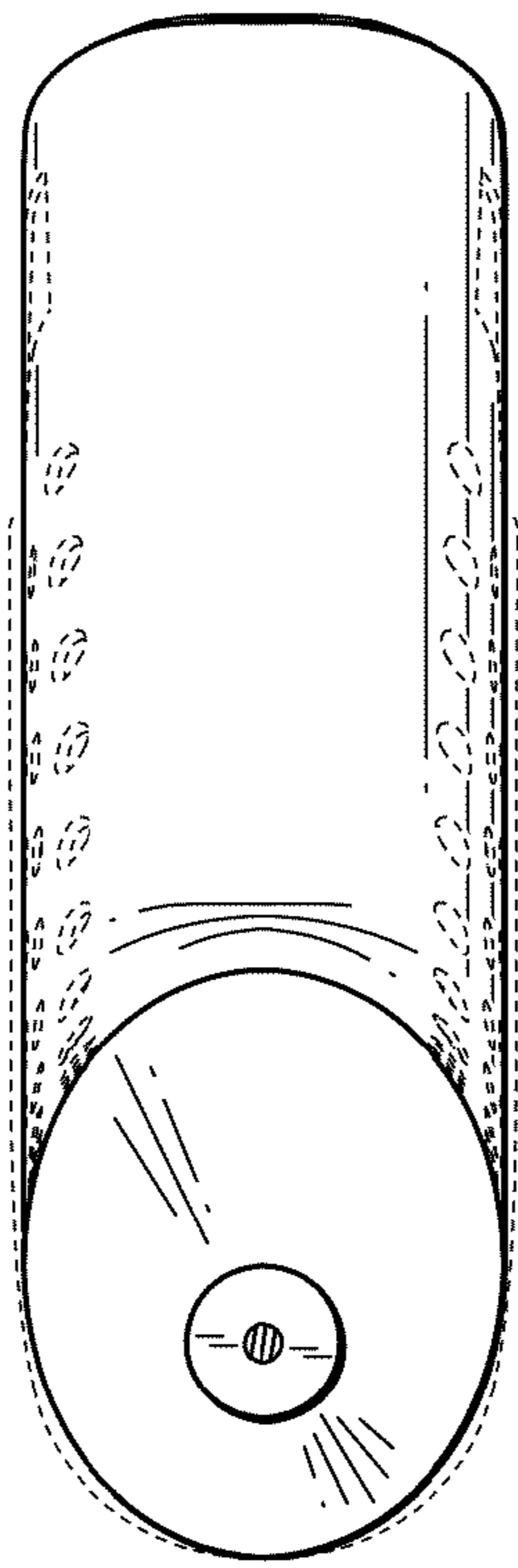


FIG. 5

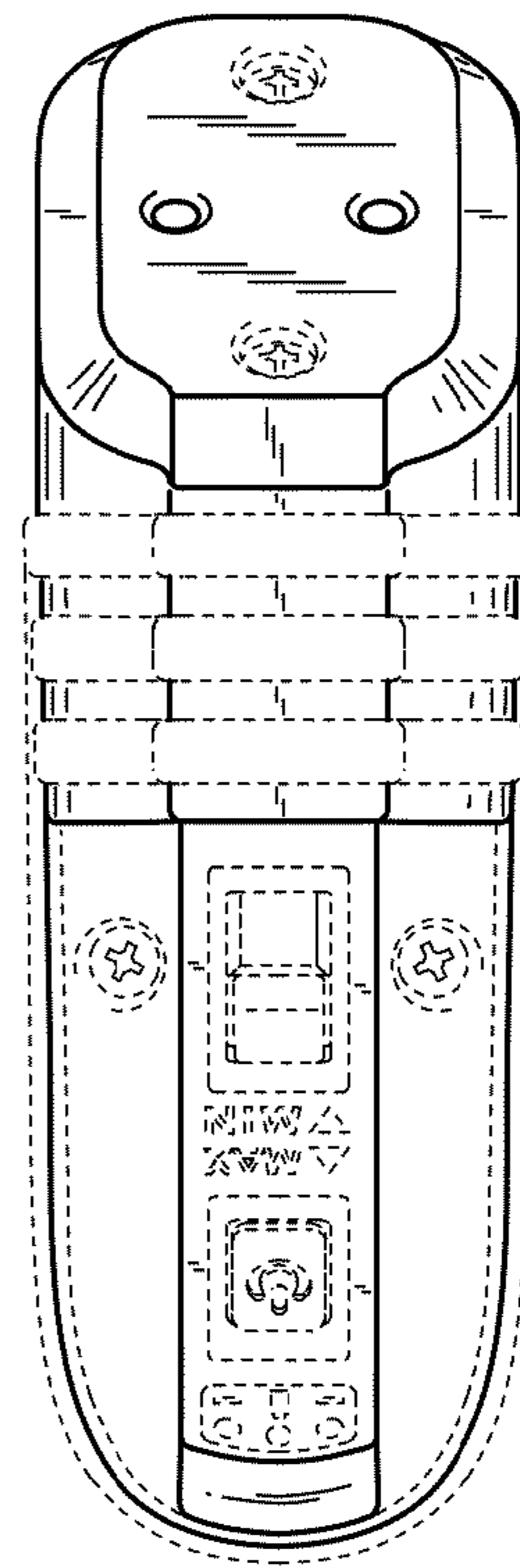


FIG. 6