



US00D606825S

(12) **United States Design Patent**
Marks et al.

(10) **Patent No.:** **US D606,825 S**

(45) **Date of Patent:** **** Dec. 29, 2009**

(54) **STAND UP STAPLER**

(75) Inventors: **Joel Marks**, Sherman Oaks, CA (US);
Surapon Arleekul, Sherman Oaks, CA (US)

(73) Assignee: **WorkTools, Inc.**, Chatsworth, CA (US)

(**) Term: **14 Years**

(21) Appl. No.: **29/315,648**

(22) Filed: **Jul. 14, 2009**

(51) **LOC (9) Cl.** **19-02**

(52) **U.S. Cl.** **D8/50; D8/49**

(58) **Field of Classification Search** D8/49,
D8/50, 61, 68, 69; D19/72, 73, 65, 69; D21/532;
D24/145; 7/158, 160; 227/4, 5, 6, 7, 8, 120,
227/127, 128, 131, 132, 134, 144, 156, 175.1;
606/139, 143, 153, 219
See application file for complete search history.

(56) **References Cited**

U.S. PATENT DOCUMENTS

D248,920 S *	8/1978	Jalk et al.	D8/50
D333,957 S *	3/1993	Chan	D8/50
D394,592 S *	5/1998	Brunsdon et al.	D8/50
D406,996 S *	3/1999	Matthes	D8/50
D411,423 S *	6/1999	Huang	D8/50
D414,091 S *	9/1999	Rellinger	D8/50
D426,122 S *	6/2000	Wu	D8/50
D429,453 S *	8/2000	Imboden et al.	D8/50
D478,485 S *	8/2003	Huang	D8/50
D519,344 S *	4/2006	Bhavnani	D8/50

D529,773 S *	10/2006	Harris et al.	D8/50
D531,866 S *	11/2006	Harris et al.	D8/50
7,143,922 B2 *	12/2006	Shevin-Sandy	227/156
D550,051 S *	9/2007	Ross	D8/50
D567,043 S *	4/2008	Marks et al.	D8/50
D585,256 S *	1/2009	Paslowski	D8/50
D591,119 S *	4/2009	Yu et al.	D8/50

* cited by examiner

Primary Examiner—Cathron C Brooks

Assistant Examiner—Austin Murphy

(57) **CLAIM**

We claim the ornamental design for a stand up stapler, as shown and described.

DESCRIPTION

FIG. 1 is a right side perspective view of a stand up stapler showing our new design;

FIG. 2 is a right side elevational view showing our new design;

FIG. 3 is a left side elevational view showing our new design;

FIG. 4 is a top plan view showing our new design;

FIG. 5 is a bottom plan view showing our new design;

FIG. 6 is a front elevational view showing our new design; and,

FIG. 7 is a rear elevational view of showing our new design.

The broken lines shown in FIGS. 5 and 7 represent unclaimed portions of the stand up stapler and form no part of the claimed design.

1 Claim, 4 Drawing Sheets

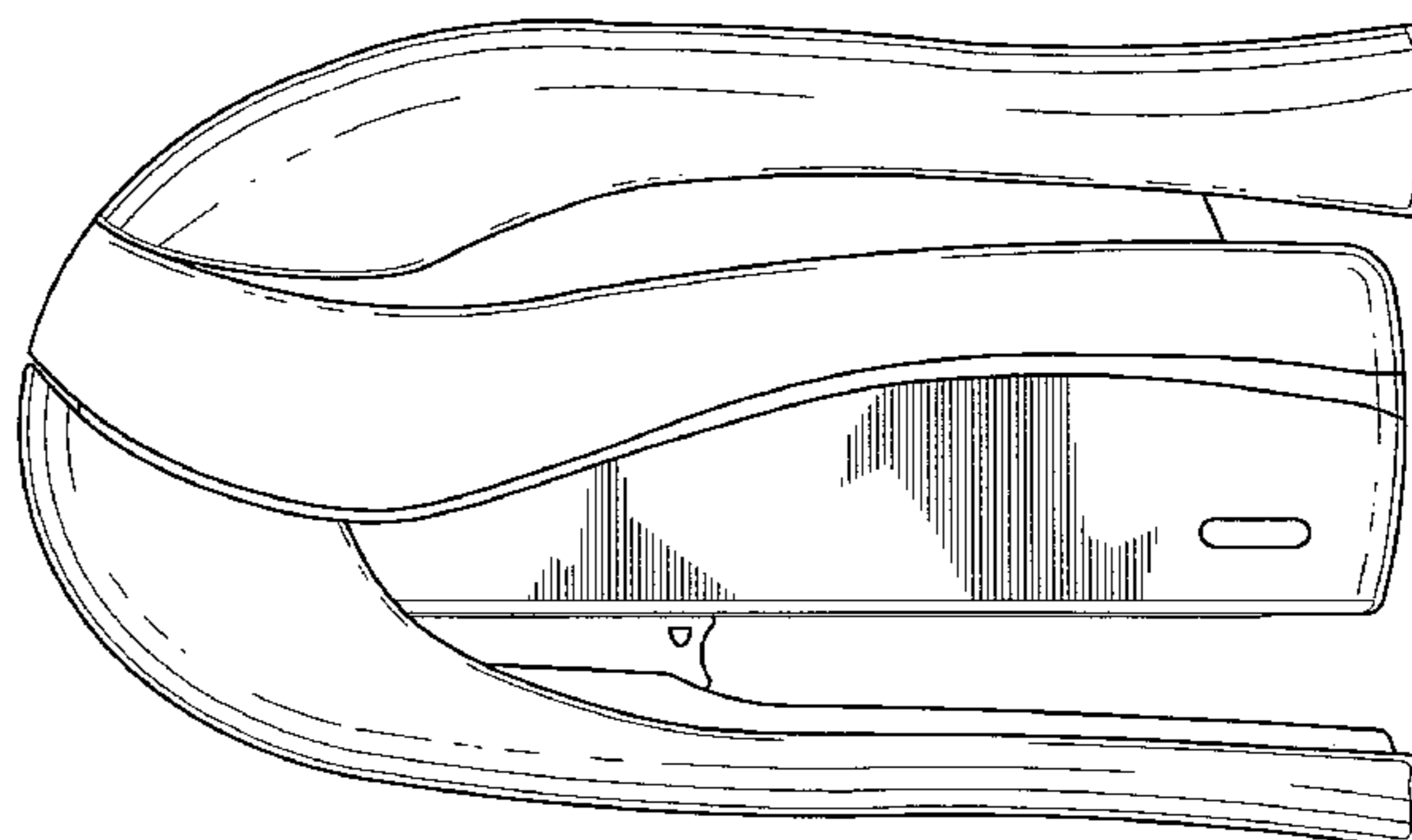
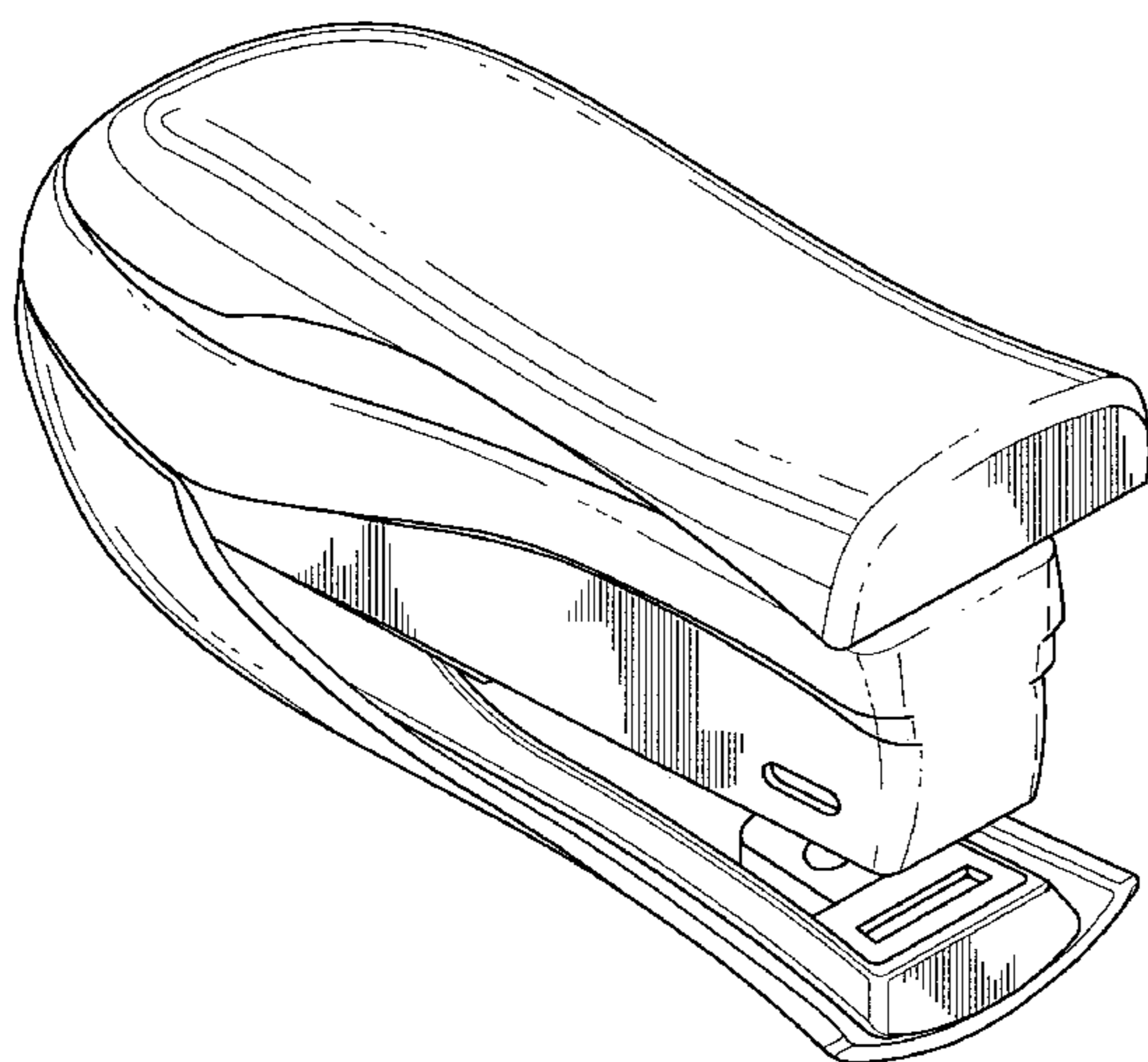


FIG. 1

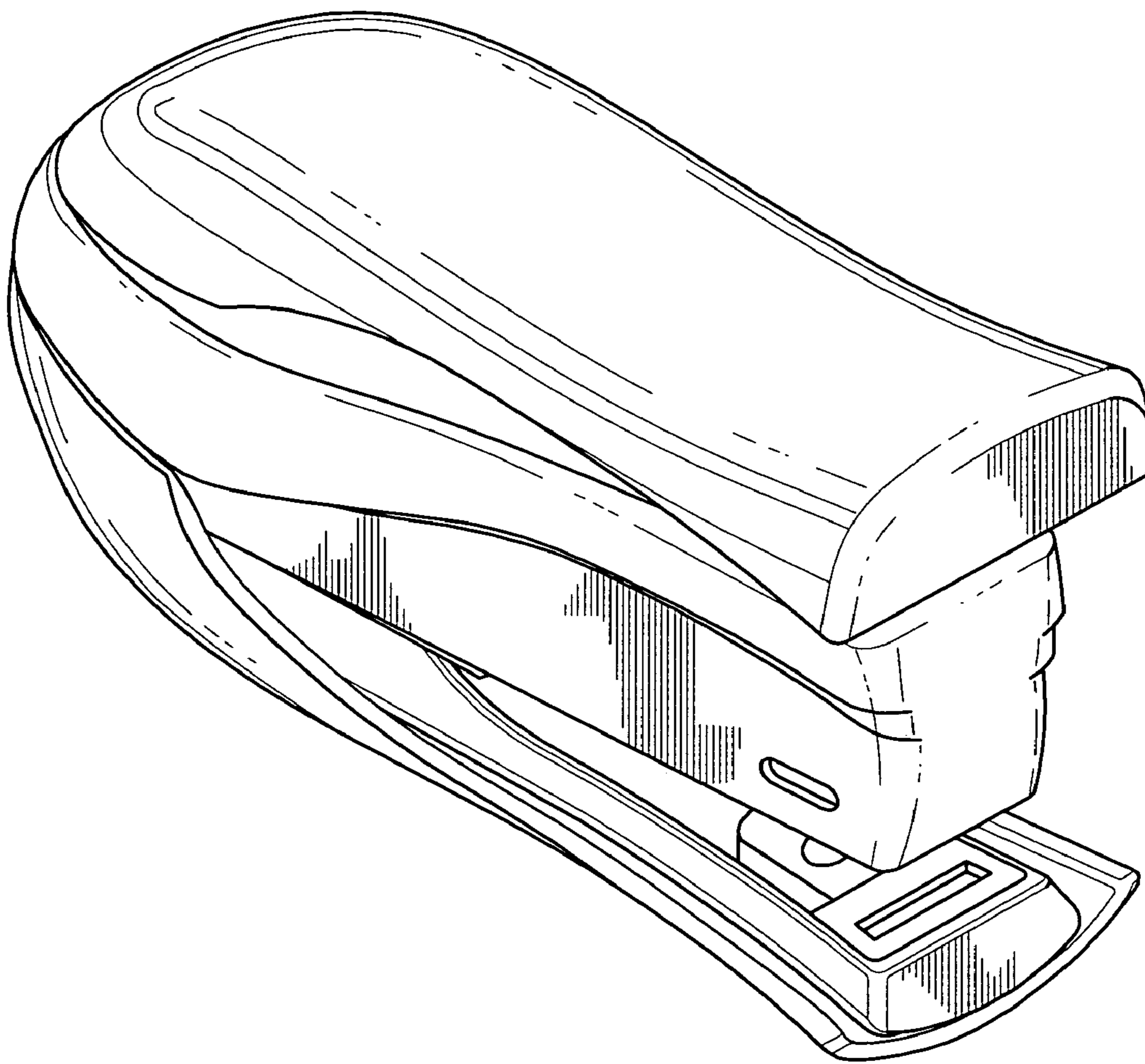


FIG. 2

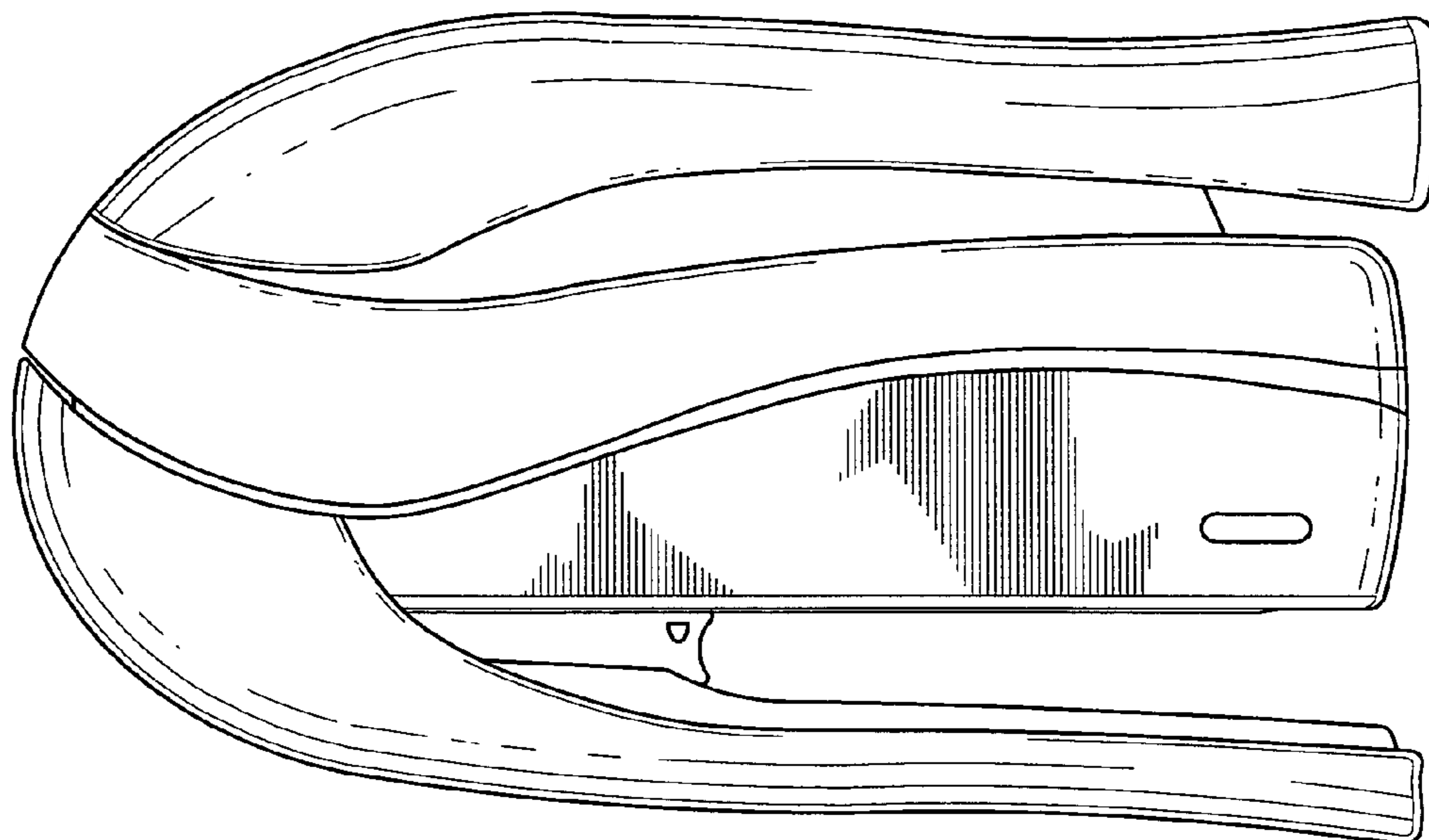


FIG. 3

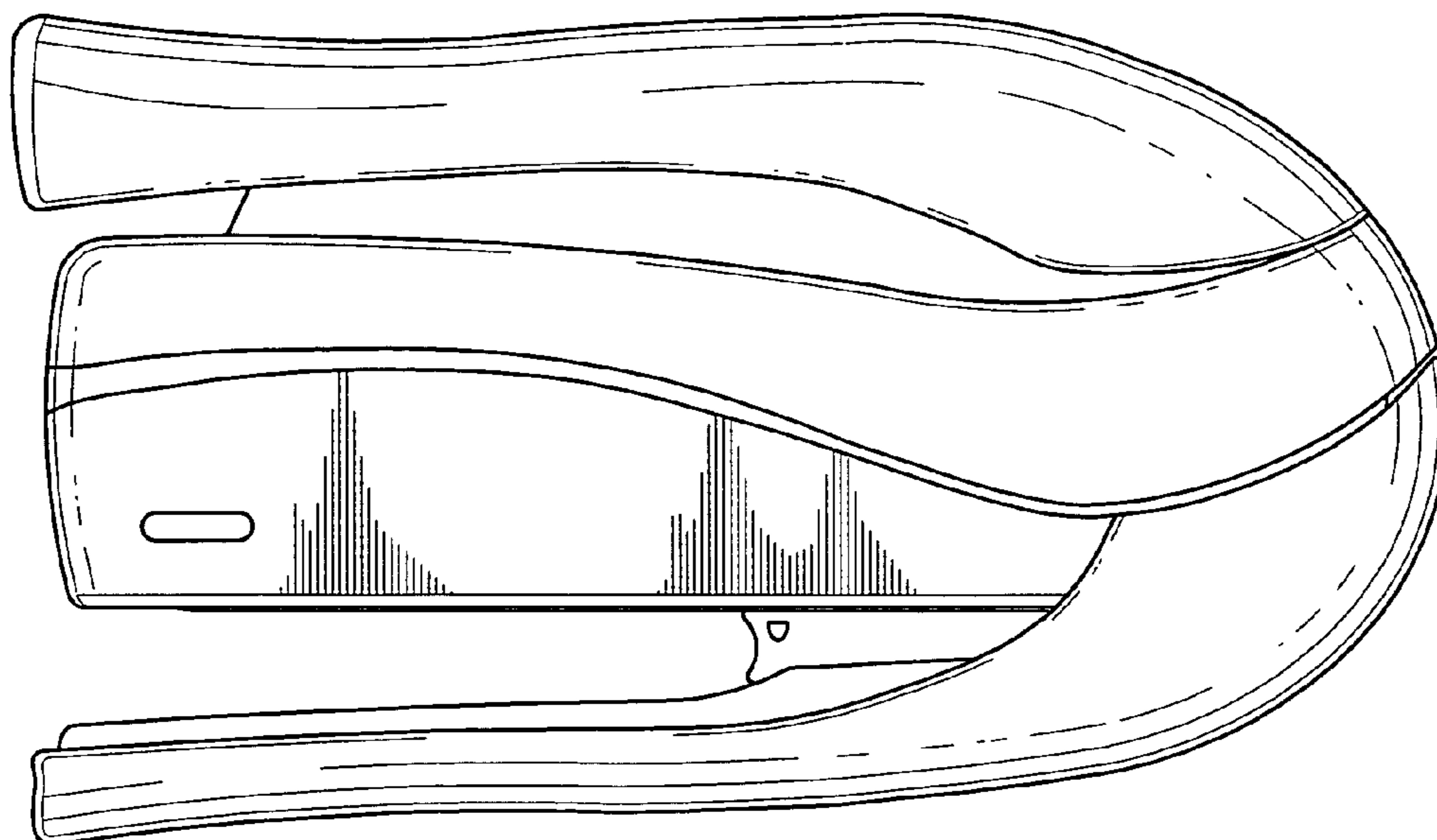


FIG. 4

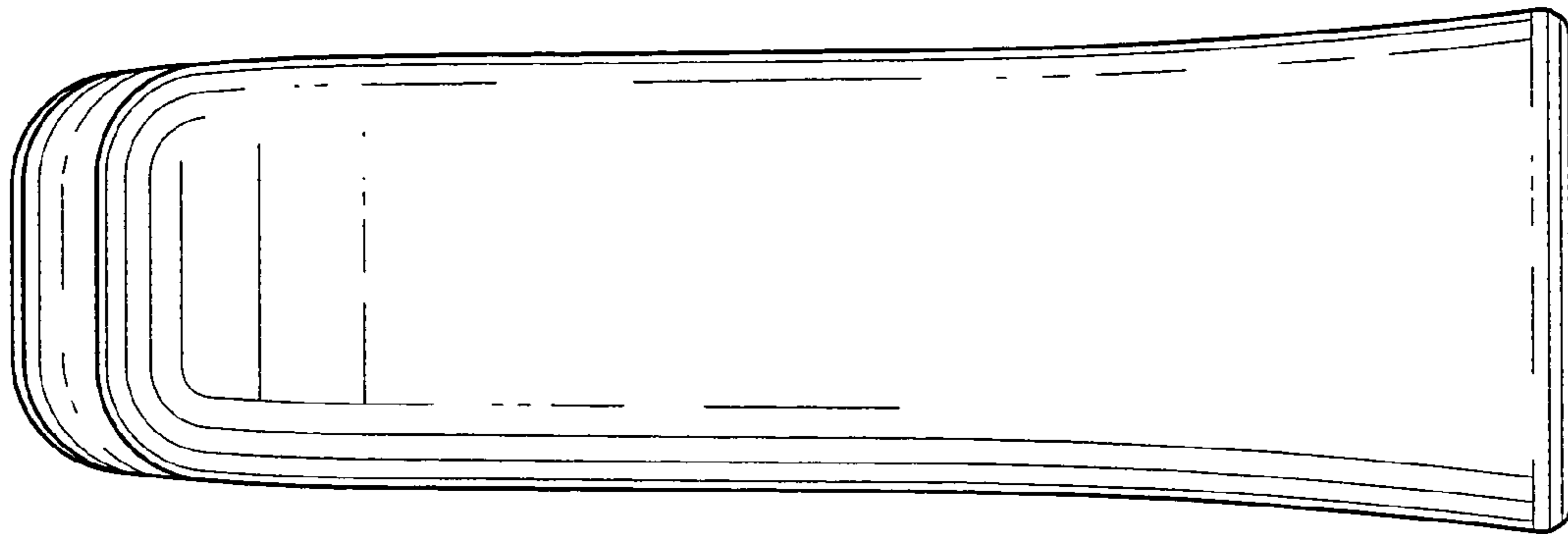


FIG. 5

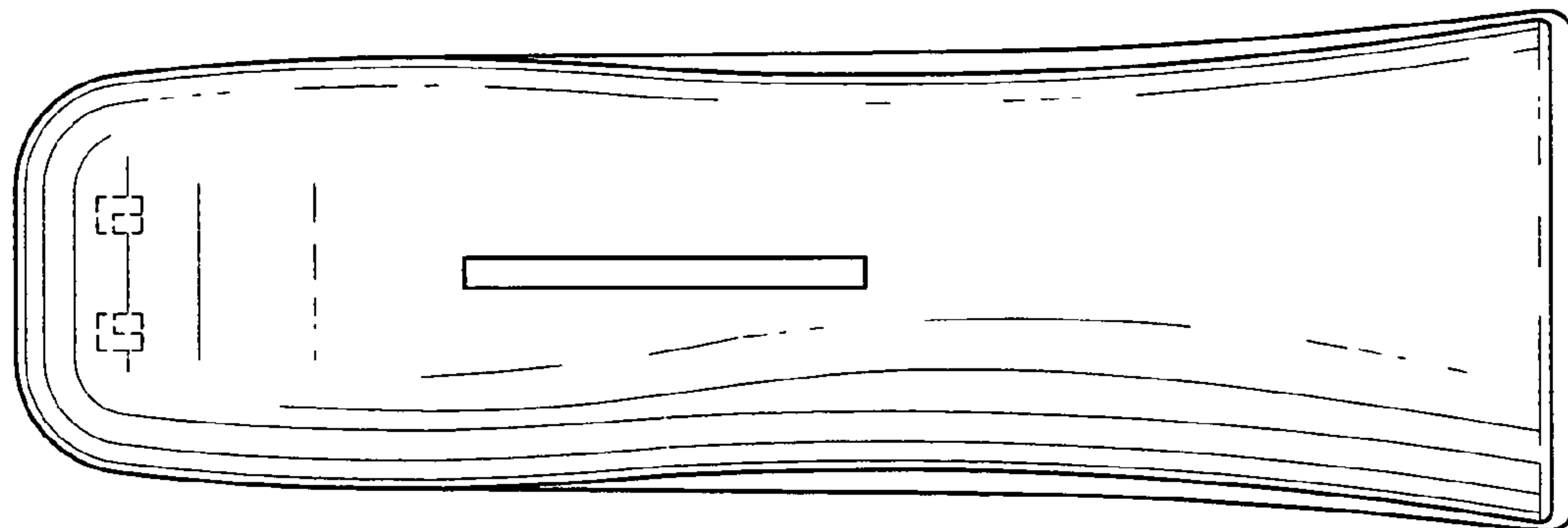


FIG. 6

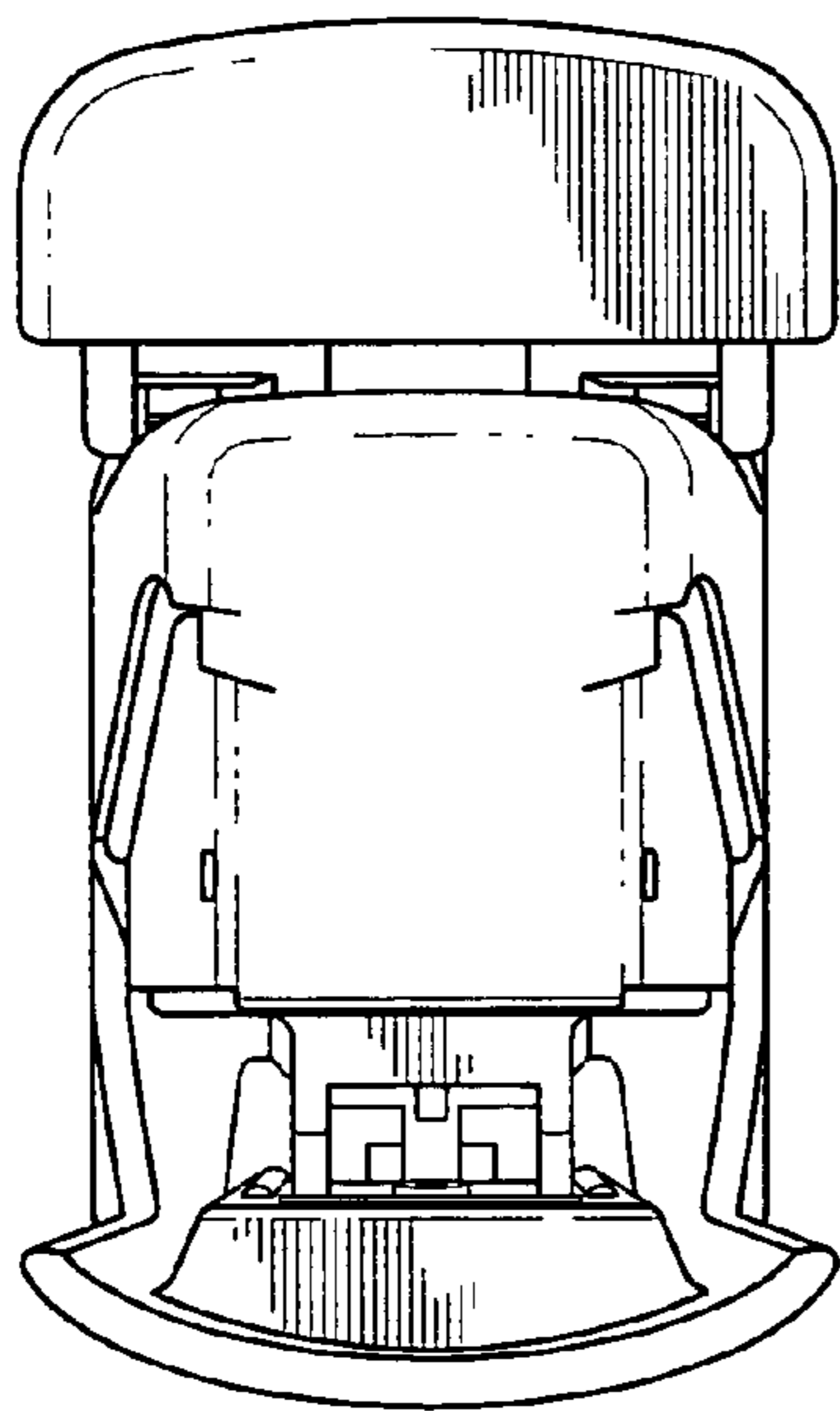


FIG. 7

