



US00D606824S

(12) **United States Design Patent**
Yu

(10) **Patent No.:** **US D606,824 S**
(45) **Date of Patent:** **** *Dec. 29, 2009**

(54) **WINE OPENER**

(75) Inventor: **Kwok Leung Yu, N.T. (HK)**

(73) Assignee: **Ko Fung Products Industrial Limited,**
Kwai Chung, N.T. (HK)

(*) Notice: This patent is subject to a terminal disclaimer.

(**) Term: **14 Years**

(21) Appl. No.: **29/333,582**

(22) Filed: **Mar. 12, 2009**

(51) **LOC (9) Cl.** **07-06**

(52) **U.S. Cl.** **D8/42**

(58) **Field of Classification Search** D8/14,
D8/18, 33-43; 7/151-156; 81/3.07, 3.09,
81/3.2, 3.27, 3.29, 3.35, 3.37, 3.4, 3.45, 3.48,
81/3.49, 3.55

See application file for complete search history.

(56) **References Cited**

U.S. PATENT DOCUMENTS

D442,045 S *	5/2001	Kilduff	D8/39
D446,098 S *	8/2001	Kilduff	D8/39
D463,236 S	9/2002	Mauffette		
D464,546 S	10/2002	Mauffette		
D466,772 S *	12/2002	Mauffette	D8/42
D474,664 S *	5/2003	Mauffette	D8/42
D477,757 S *	7/2003	Yu	D8/42
D487,684 S *	3/2004	Kehoe	D8/39
D488,038 S *	4/2004	Sach	D8/40
D499,319 S	12/2004	Kramer		
D505,848 S *	6/2005	Lee	D8/42

D507,942 S	8/2005	Wu		
D511,282 S	11/2005	Vitrac		
D511,664 S	11/2005	Lee		
6,978,696 B2 *	12/2005	Yu	81/3.29
D520,314 S	5/2006	Sun		
D546,653 S	7/2007	Cheung		
D558,546 S *	1/2008	Chan et al.	D8/42
7,370,556 B2 *	5/2008	Sun	81/3.29
2002/0014136 A1	2/2002	So		
2006/0112788 A1	6/2006	Cheung		

* cited by examiner

Primary Examiner—Caron Veynar

Assistant Examiner—Garth Rademaker

(74) *Attorney, Agent, or Firm*—Carmody & Torrance LLP

(57) **CLAIM**

The ornamental design for a wine opener, as shown and described.

DESCRIPTION

FIG. 1 is a perspective view of a wine opener showing my new design;

FIG. 2 is a front elevational view thereof;

FIG. 3 is a back elevational view thereof;

FIG. 4 is a left side elevational view thereof;

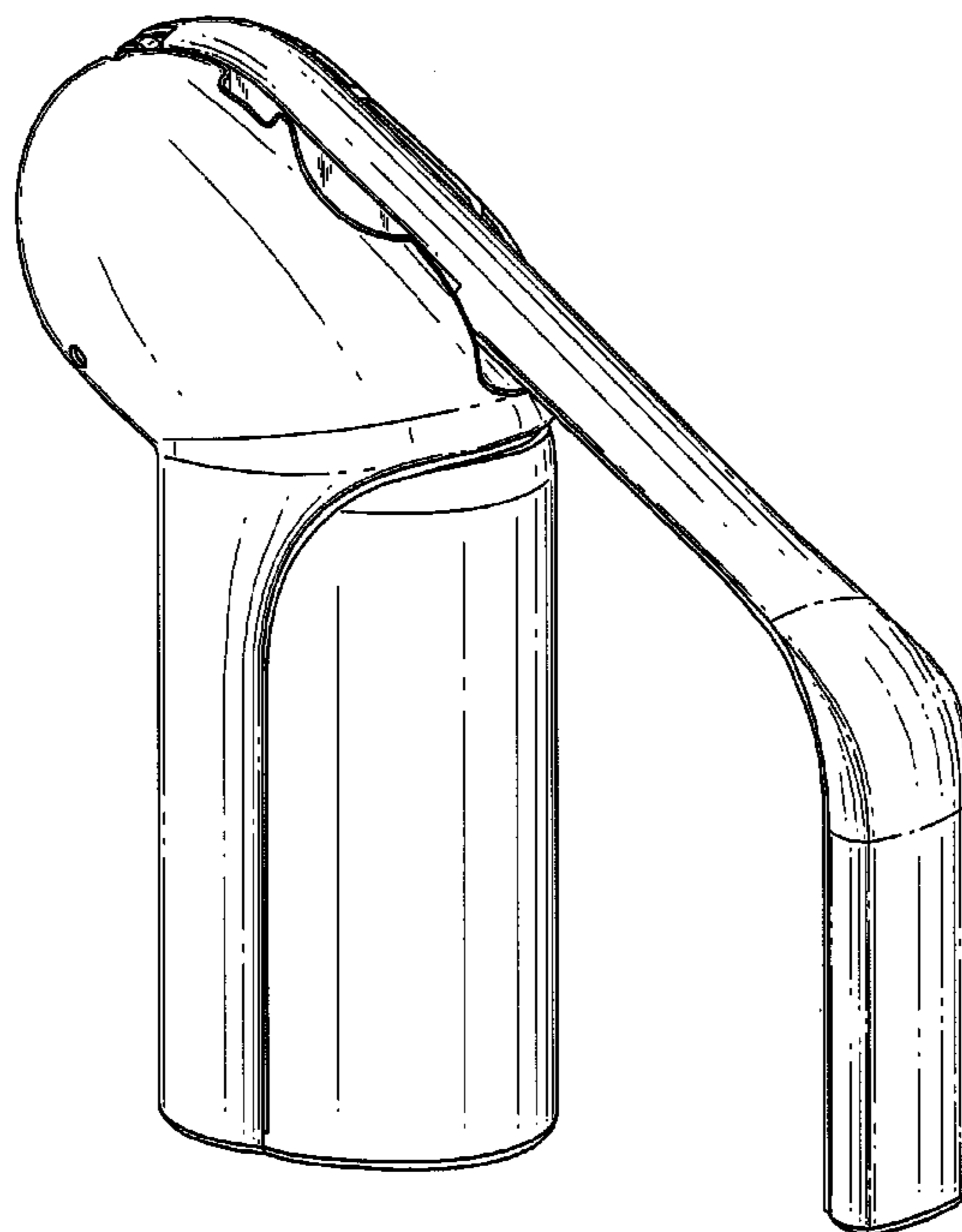
FIG. 5 is a right side elevational view thereof;

FIG. 6 is a bottom plan view thereof; and,

FIG. 7 is a top plan view thereof.

The broken lines showings are environmental only, and form no part of the claimed design.

1 Claim, 5 Drawing Sheets



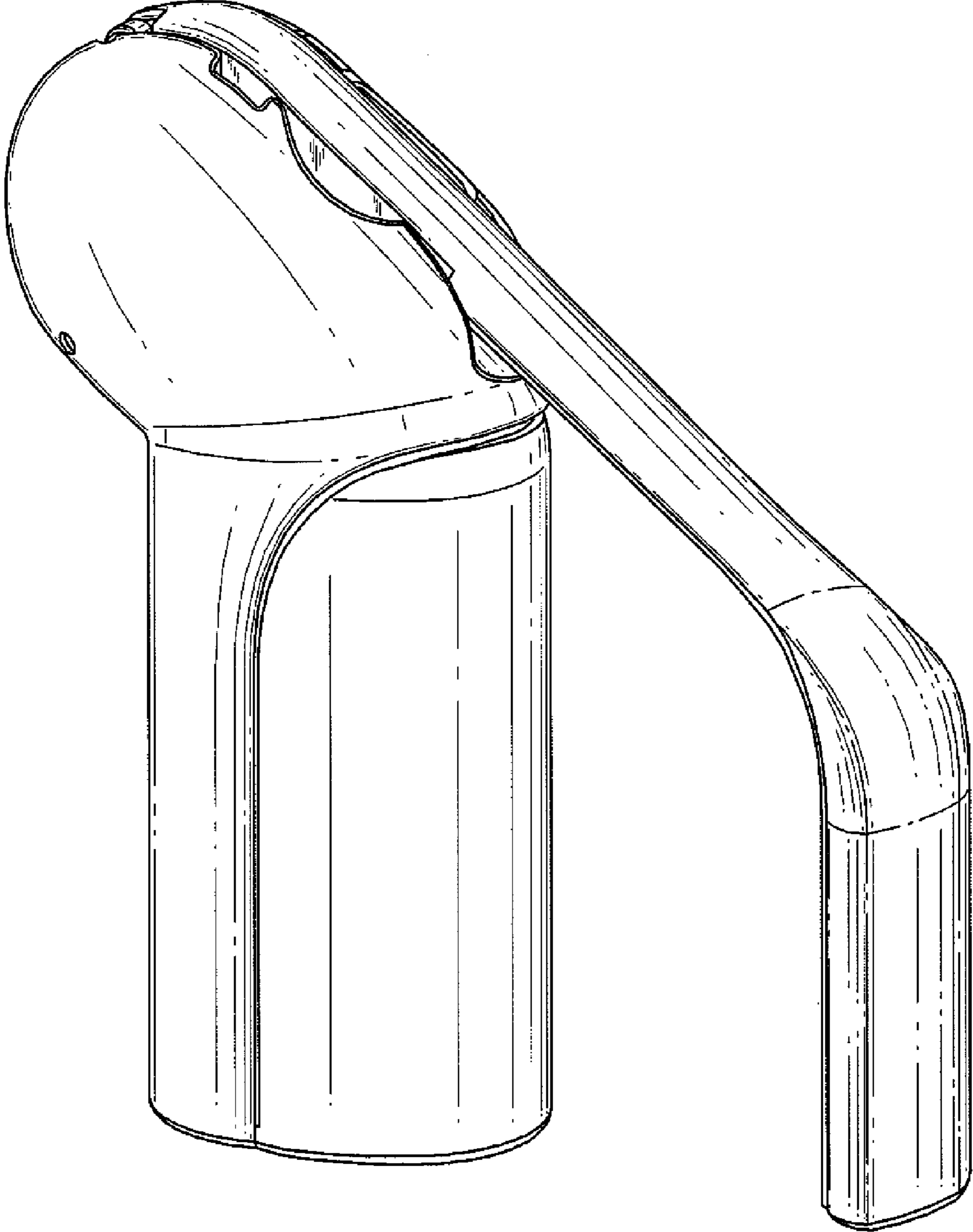


FIG. 1

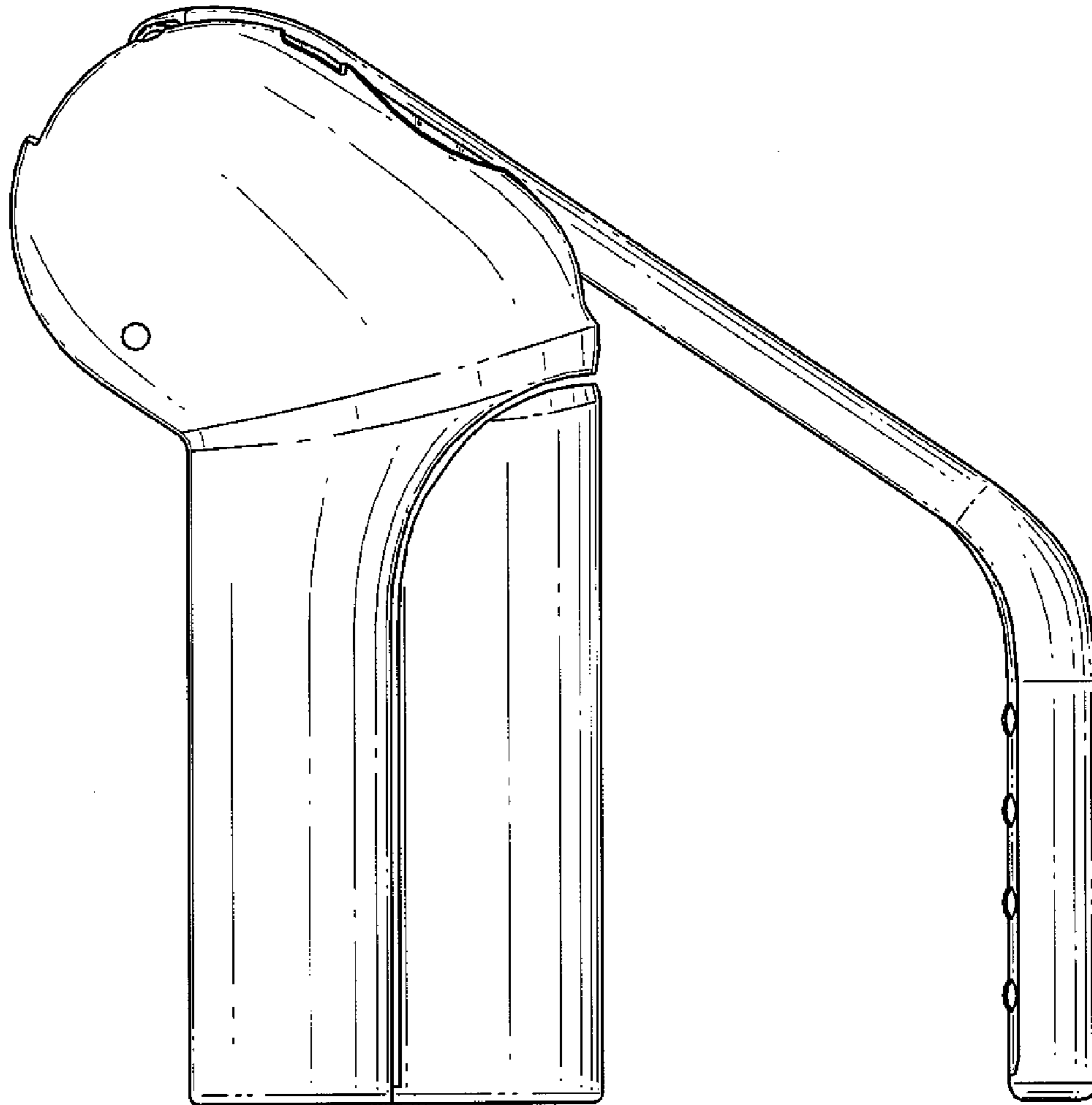


FIG. 2

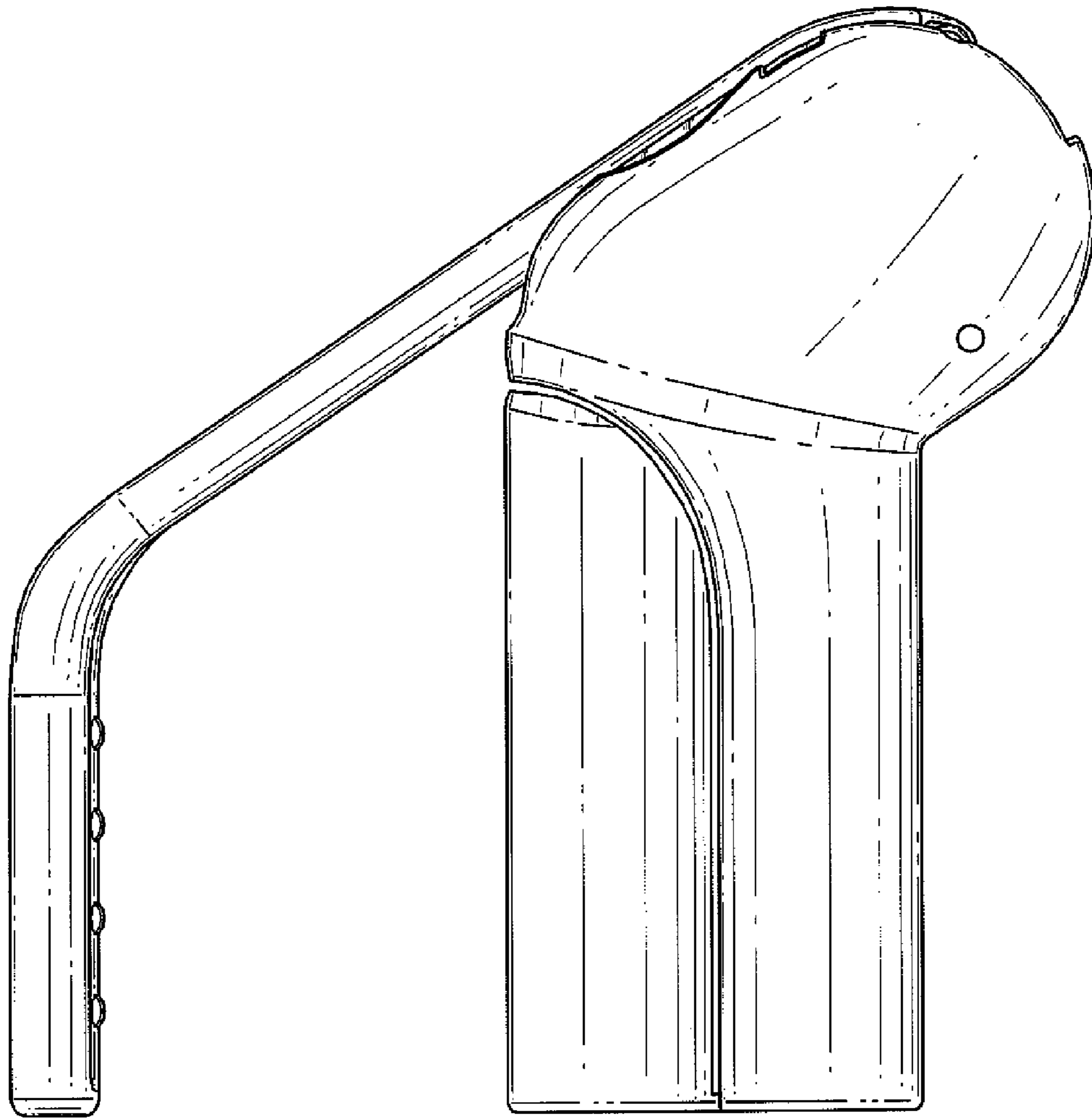


FIG. 3

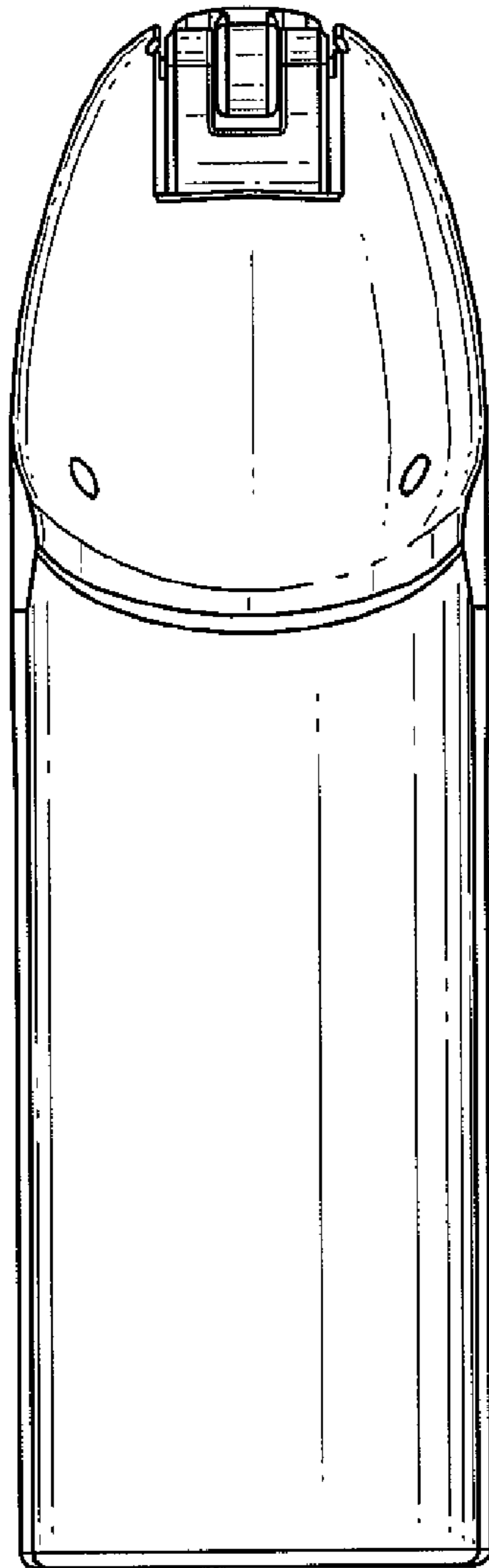


FIG. 4

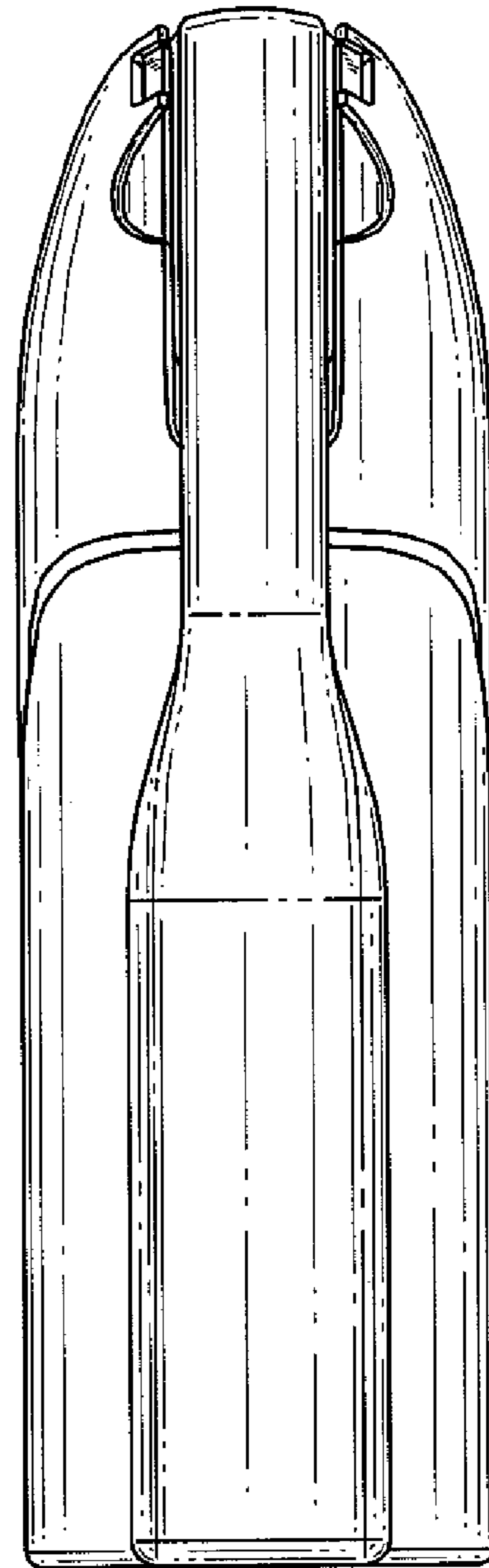


FIG. 5

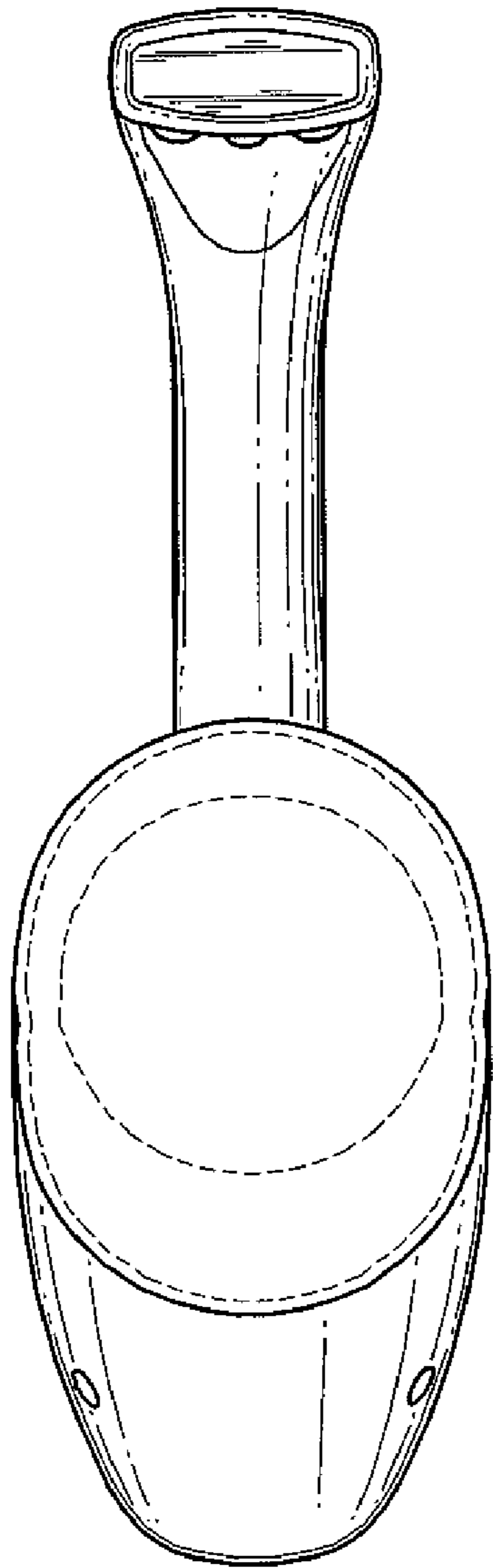


FIG. 6

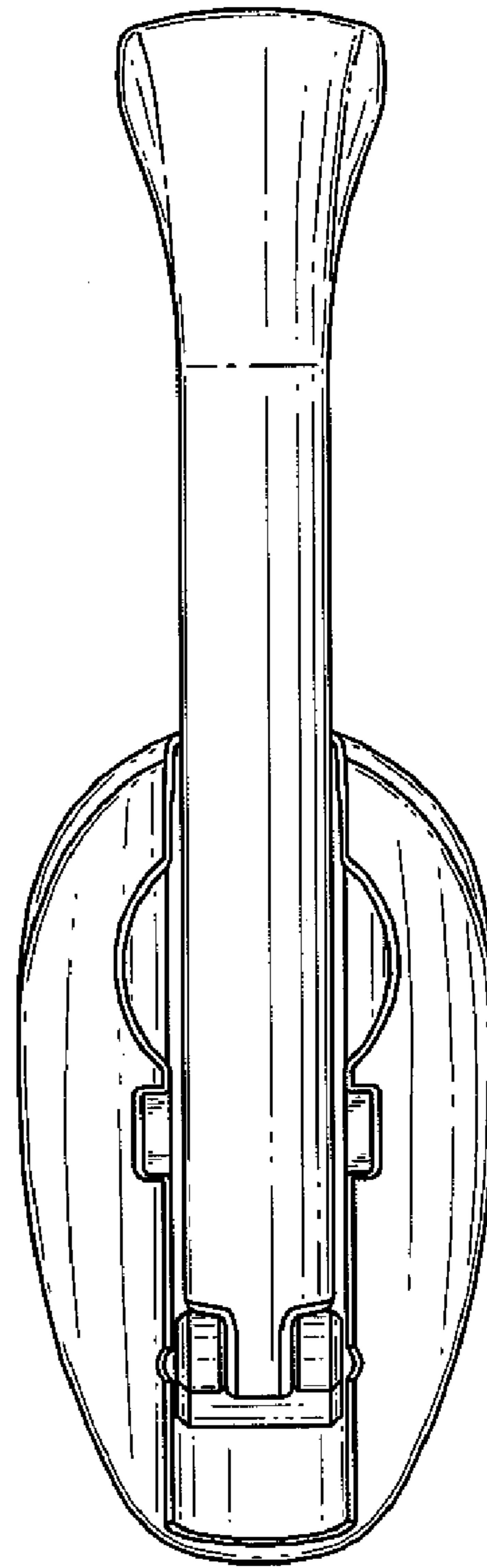


FIG. 7

UNITED STATES PATENT AND TRADEMARK OFFICE
CERTIFICATE OF CORRECTION

PATENT NO. : Des. 606,824 S
APPLICATION NO. : 29/333582
DATED : December 29, 2009
INVENTOR(S) : Kwok Leung Yu

Page 1 of 1

It is certified that error appears in the above-identified patent and that said Letters Patent is hereby corrected as shown below:

On the title page, add item:

(30) Foreign Application Priority Data

September 22, 2008 (HK) 0802282.6M001
0802282.6M002

Signed and Sealed this

Sixteenth Day of March, 2010



David J. Kappos
Director of the United States Patent and Trademark Office