



US00D606823S

(12) **United States Design Patent**
Hsieh

(10) **Patent No.:** **US D606,823 S**

(45) **Date of Patent:** **** Dec. 29, 2009**

(54) **HAND TOOL**

(76) Inventor: **Chih-Ching Hsieh**, No. 367, Pei Yang Rd., Feng Yuan, Taichung Hsien (TW) 42084

(**) Term: **14 Years**

(21) Appl. No.: **29/317,186**

(22) Filed: **Apr. 24, 2008**

(51) **LOC (9) Cl.** **08-05**

(52) **U.S. Cl.** **D8/29**

(58) **Field of Classification Search** D8/21-30;
81/60, 177.1, 177.85, 121.1, 124.3, 165-170,
81/110.1, 176.2, 124.6, 176.1, 176.15, 177.2;
16/110.1; D15/144.1; 219/75, 227, 229,
219/121.16, 121.18

See application file for complete search history.

(56) **References Cited**

U.S. PATENT DOCUMENTS

1,398,054	A *	11/1921	Abegg	81/124.6
1,420,279	A *	6/1922	Parsons et al.	81/177.2
1,510,059	A *	9/1924	Holle	81/62
2,627,330	A *	2/1953	Gantz	192/43.1
2,697,370	A *	12/1954	Brooks	81/58
4,765,009	A *	8/1988	Hung	7/100

D397,599 S * 9/1998 Stamp D8/29
2005/0109170 A1 * 5/2005 Chang 81/177.2

* cited by examiner

Primary Examiner—Raphael Barkai
Assistant Examiner—Randall H Gholson
(74) *Attorney, Agent, or Firm*—Wang Law Firm, Inc.; Li K. Wang

(57) **CLAIM**

The ornamental design for a hand tool, as shown.

DESCRIPTION

FIG. 1 is a perspective view of a hand tool showing my new design;

FIG. 2 is a front elevational view thereof;

FIG. 3 is a rear elevational view thereof;

FIG. 4 is a left side view thereof;

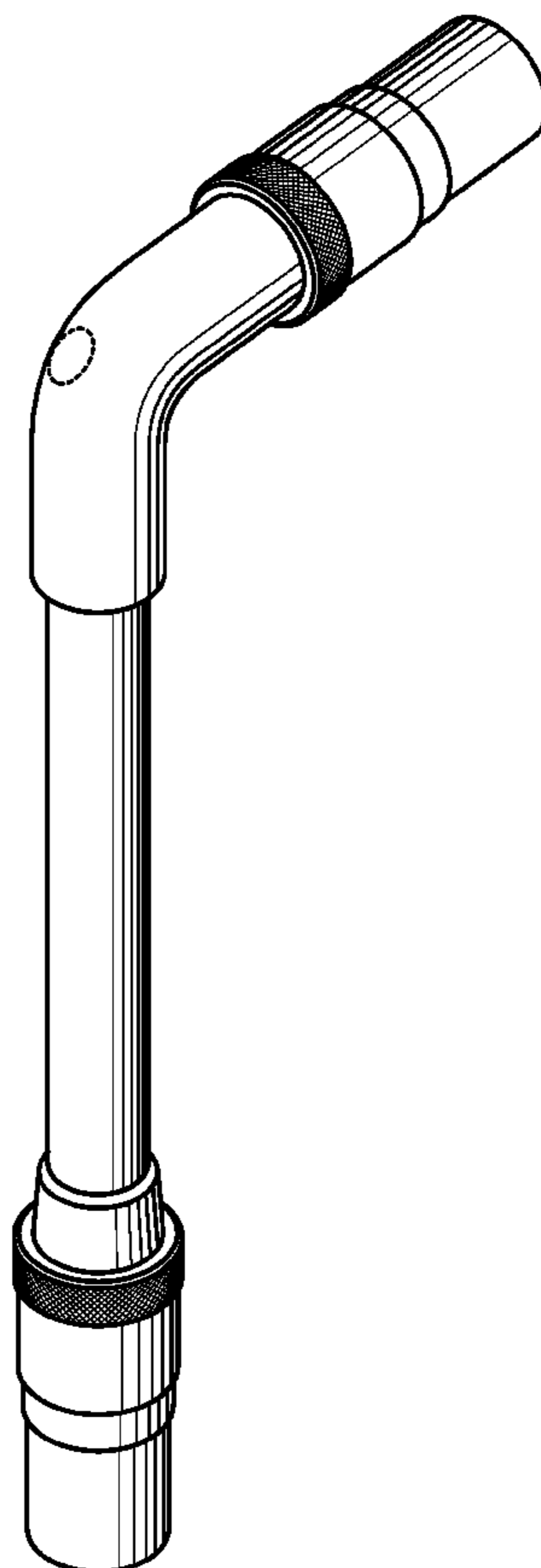
FIG. 5 is a right side view thereof;

FIG. 6 is a top plain view thereof; and,

FIG. 7 is a bottom plain view thereof.

The portion of the hand tool shown in broken lines forms no part of the claimed design.

1 Claim, 5 Drawing Sheets



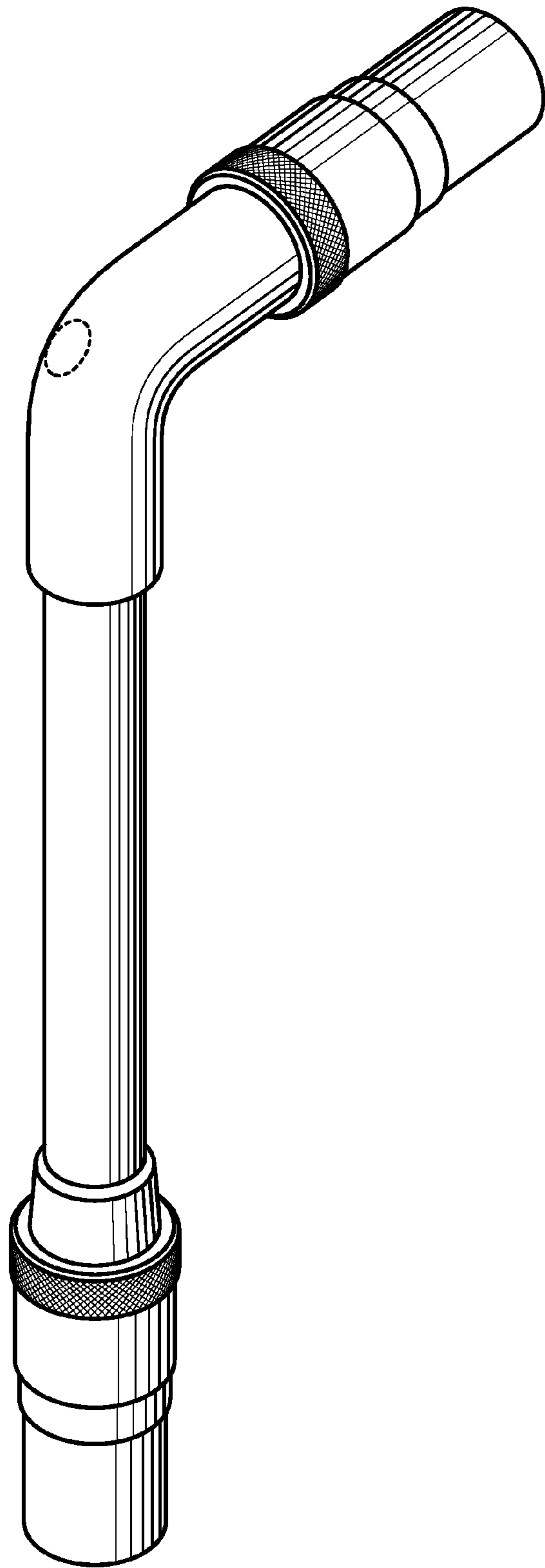


FIG. 1

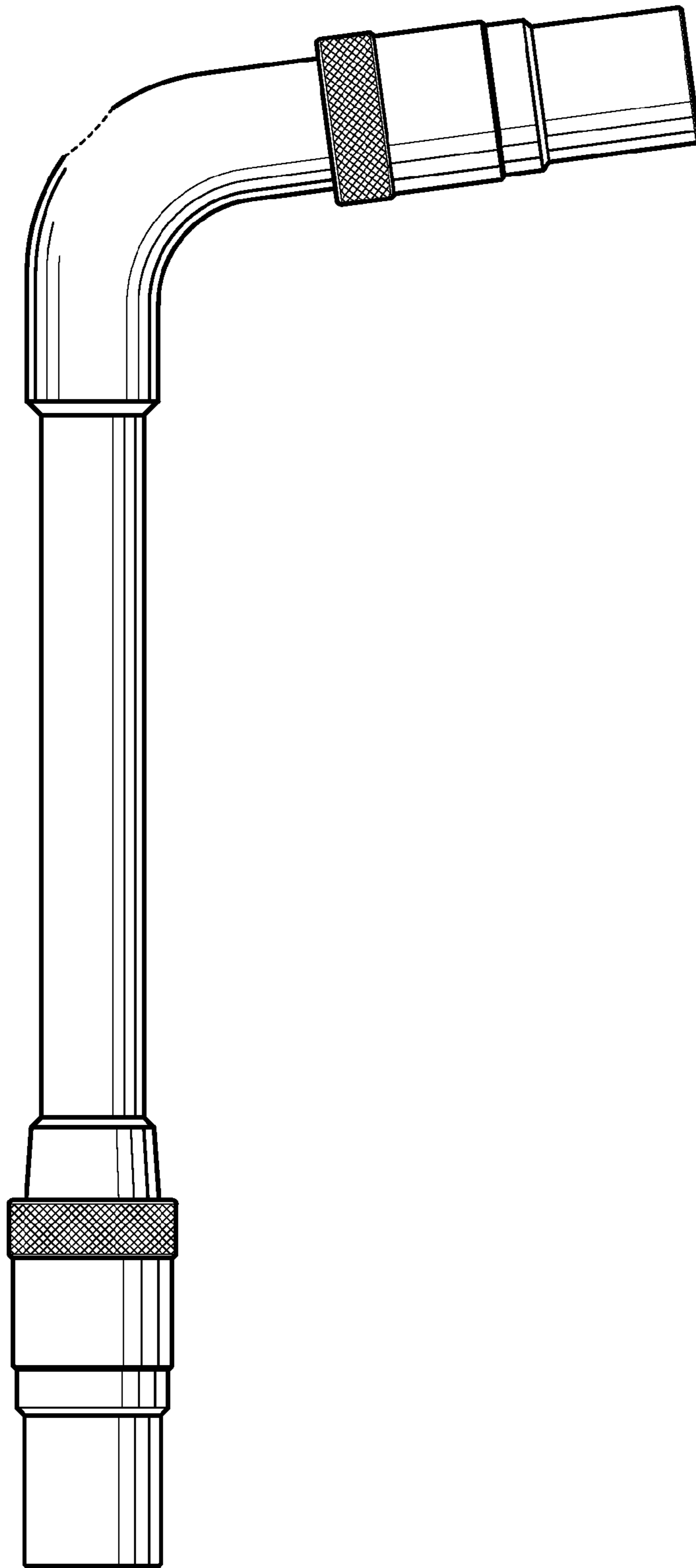


FIG. 2

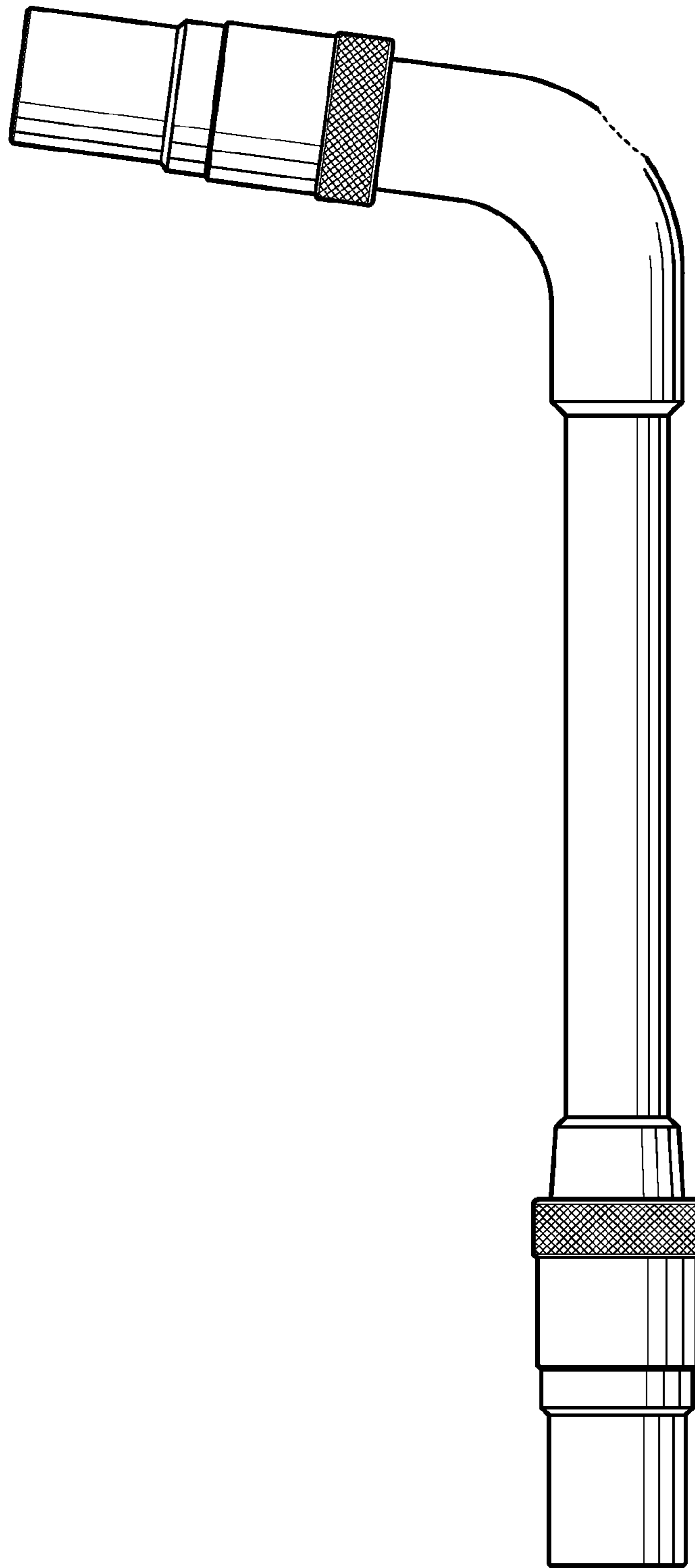


FIG. 3

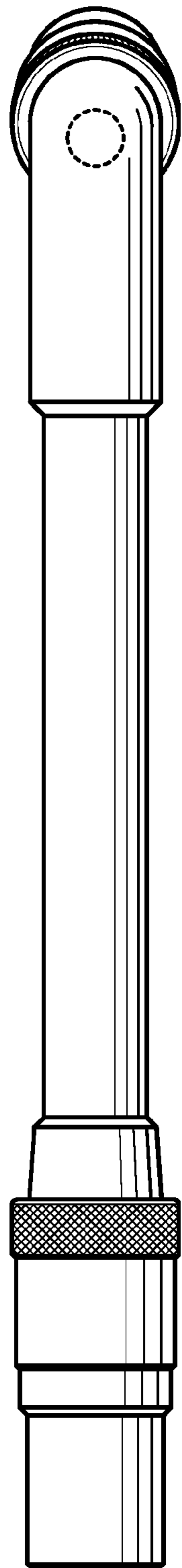


FIG. 4

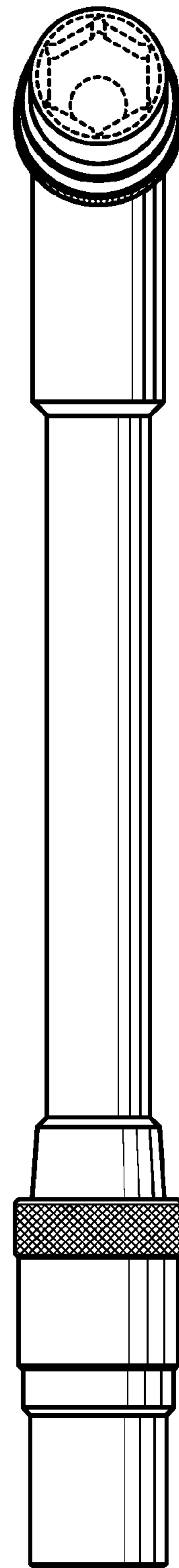


FIG. 5

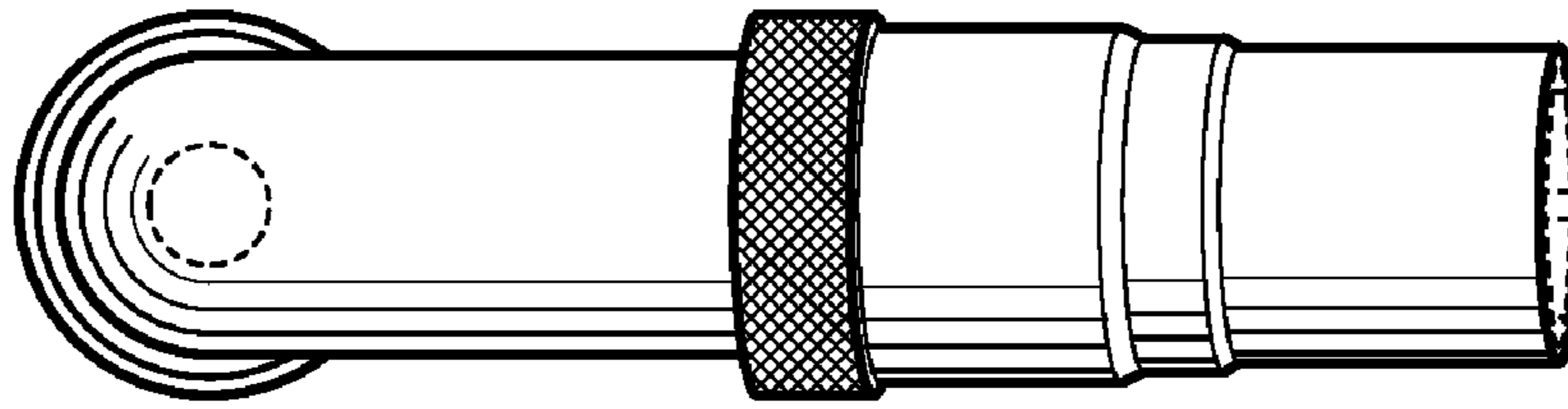


FIG. 6

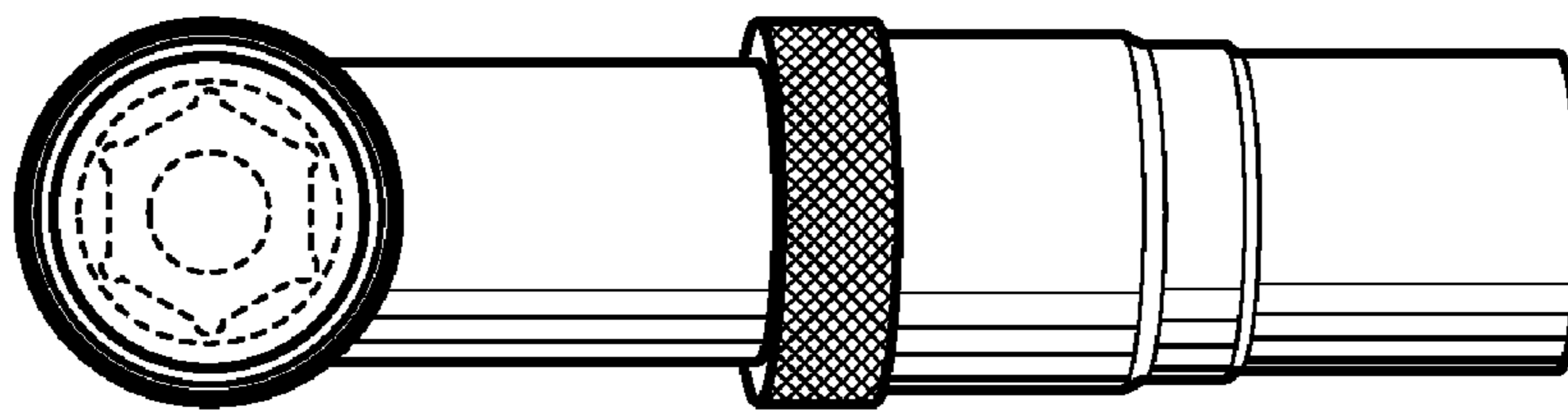


FIG. 7