



US00D606822S

(12) **United States Design Patent**  
**Zhan**

(10) **Patent No.:** **US D606,822 S**

(45) **Date of Patent:** **\*\* Dec. 29, 2009**

(54) **RATCHET DRIVE HEAD**

(75) Inventor: **Shu-Su Zhan**, Taichung (TW)

(73) Assignee: **Ceo Tool Co., Ltd.**, Taichung (TW)

(\*\*) Term: **14 Years**

(21) Appl. No.: **29/339,311**

(22) Filed: **Jun. 27, 2009**

(51) **LOC (9) Cl.** ..... **08-05**

(52) **U.S. Cl.** ..... **D8/25**

(58) **Field of Classification Search** ..... D8/21-29;  
81/60-63.2, 176.119, 120, 121.1, 124.3,  
81/177.75, 177.7, 177.85, 186, 176.1, 176.15,  
81/176.2; 206/376, 378; 16/429; 7/100,  
7/138, 168

See application file for complete search history.

(56) **References Cited**

**U.S. PATENT DOCUMENTS**

D485,143 S *	1/2004	Yang	.....	D8/28
6,745,650 B1 *	6/2004	Chang	.....	81/177.8
D507,464 S *	7/2005	Hu	.....	D8/25
7,000,507 B1 *	2/2006	Lin	.....	81/177.9
D549,535 S *	8/2007	Yang	.....	D8/29
D562,656 S *	2/2008	Yang	.....	D8/29

\* cited by examiner

*Primary Examiner*—Philip S Hyder  
*Assistant Examiner*—Randall H Gholson  
(74) *Attorney, Agent, or Firm*—Banger Shia

(57) **CLAIM**

The ornamental design for a ratchet drive head, as shown and described.

**DESCRIPTION**

FIG. 1 is a perspective view of a ratchet drive head showing my new design;

FIG. 2 is a front elevational view thereof;

FIG. 3 is a rear elevational view thereof;

FIG. 4 is a left side elevational view thereof;

FIG. 5 is a right side elevational view thereof;

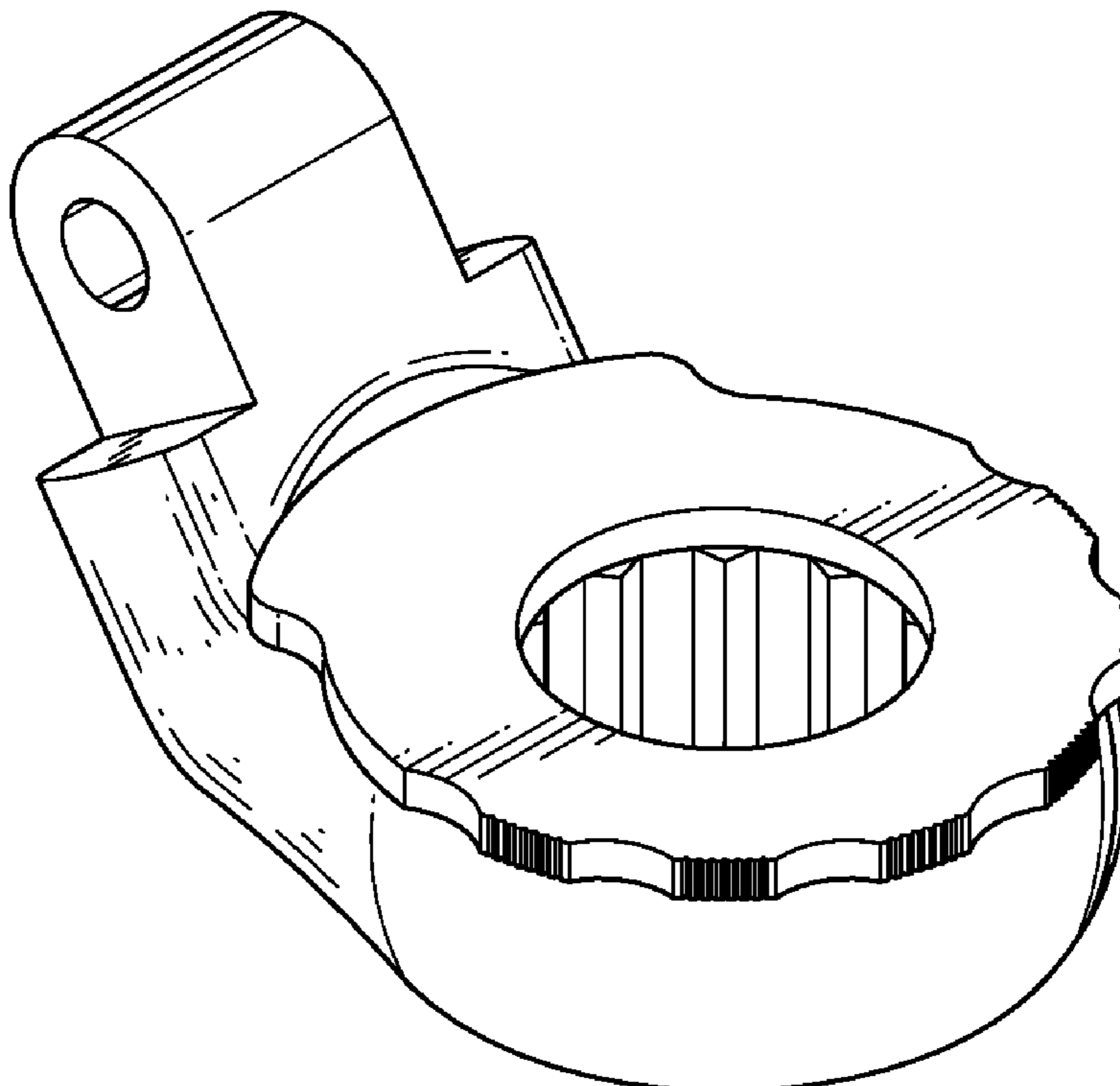
FIG. 6 is a top plan view thereof;

FIG. 7 is a bottom plan view thereof; and,

FIG. 8 is a perspective view of an embodiment of a ratchet drive head showing my new design.

The broken lines shown in FIG. 8 are included for the purpose of illustrating the environment of the ratchet drive head and form no part of the claimed design.

**1 Claim, 5 Drawing Sheets**



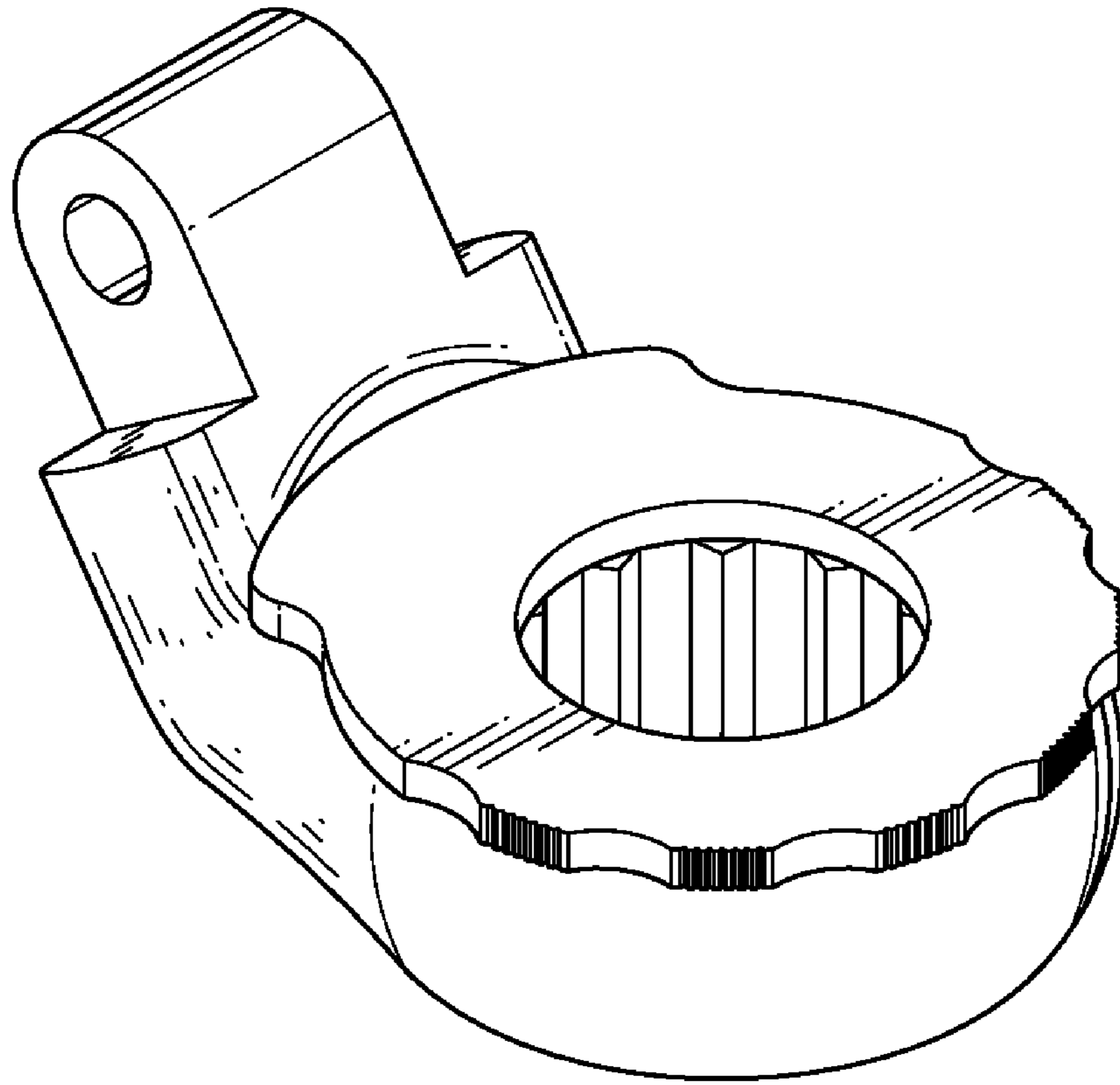


FIG. 1

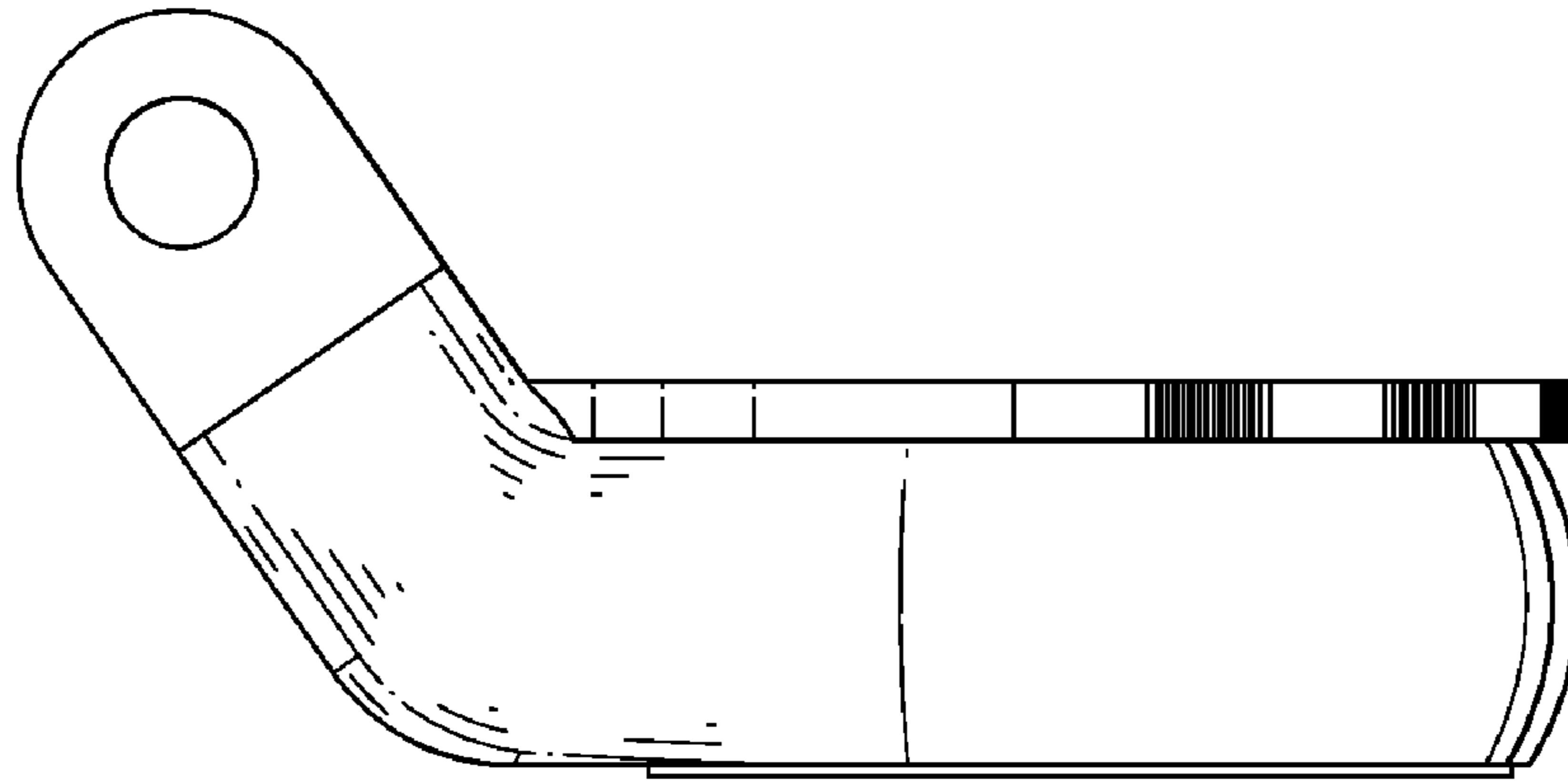


FIG. 2

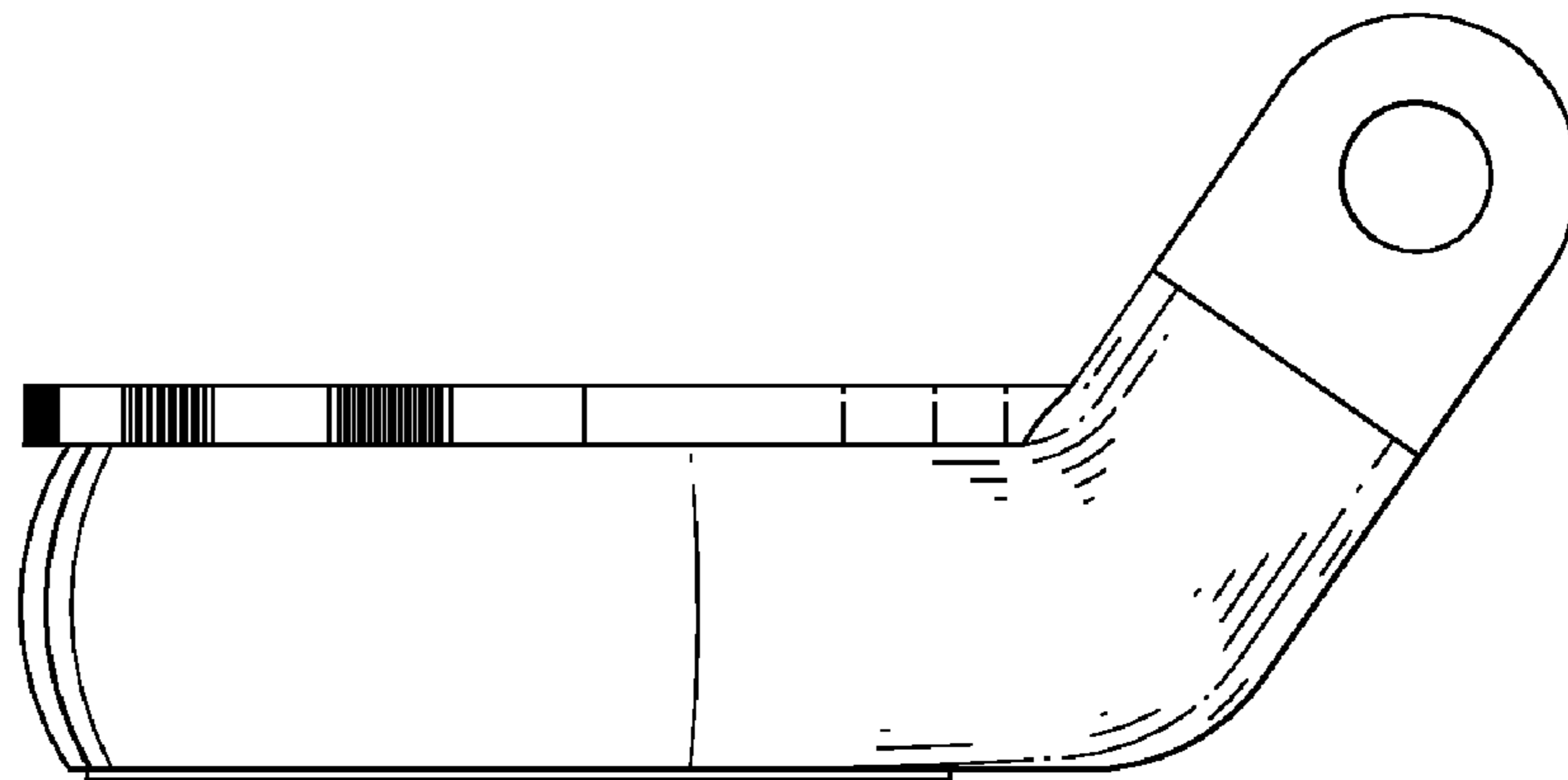


FIG. 3

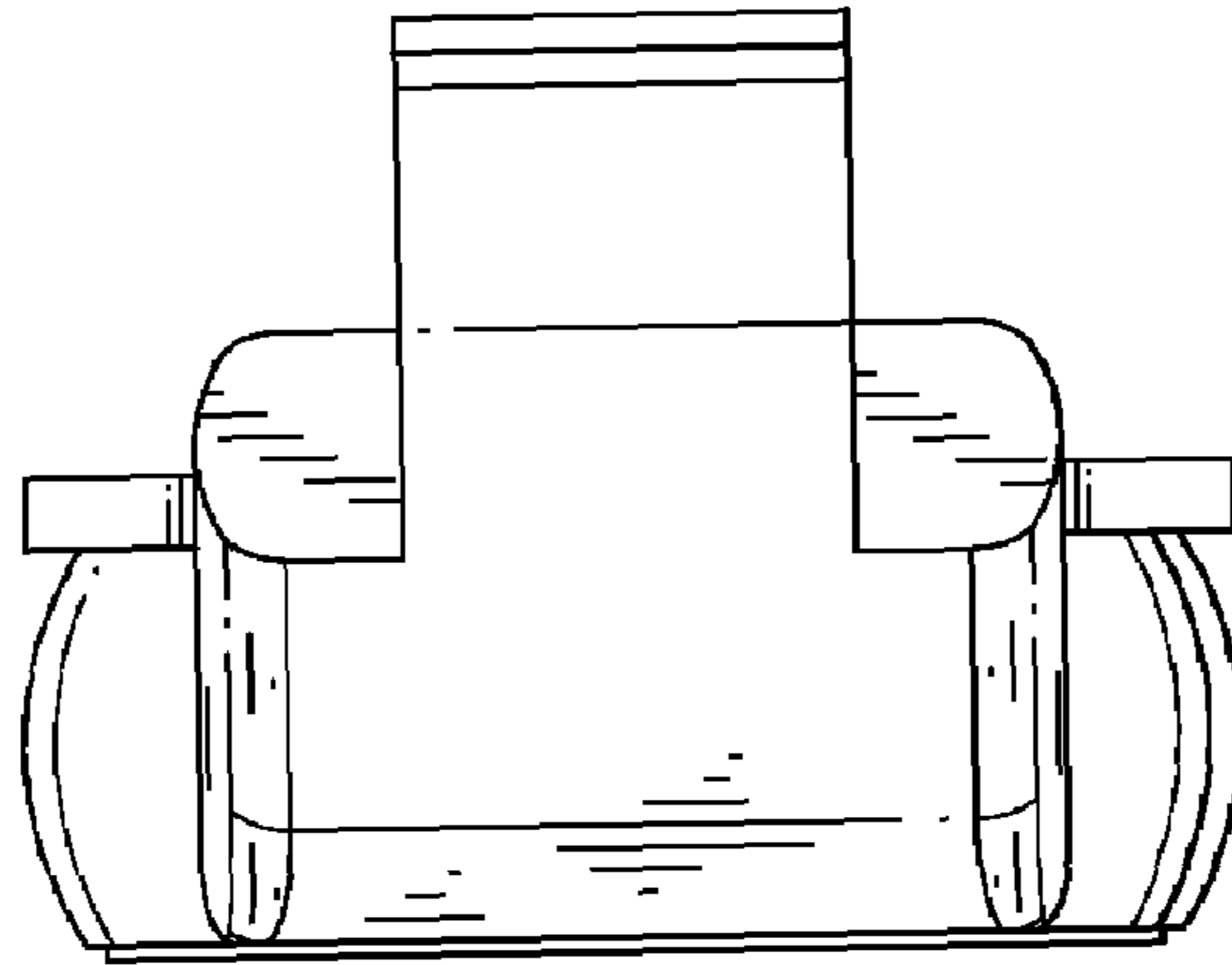


FIG. 4

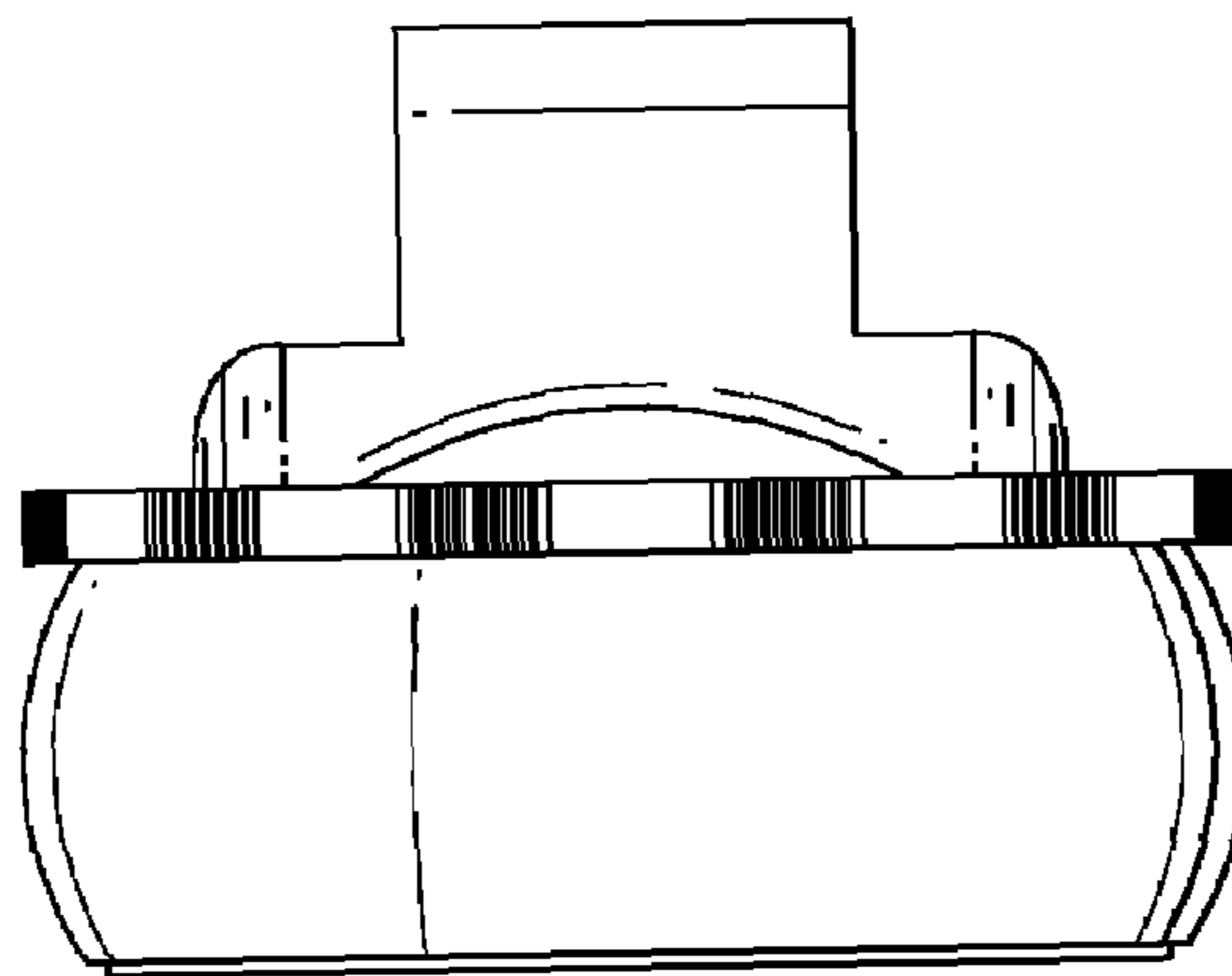


FIG. 5

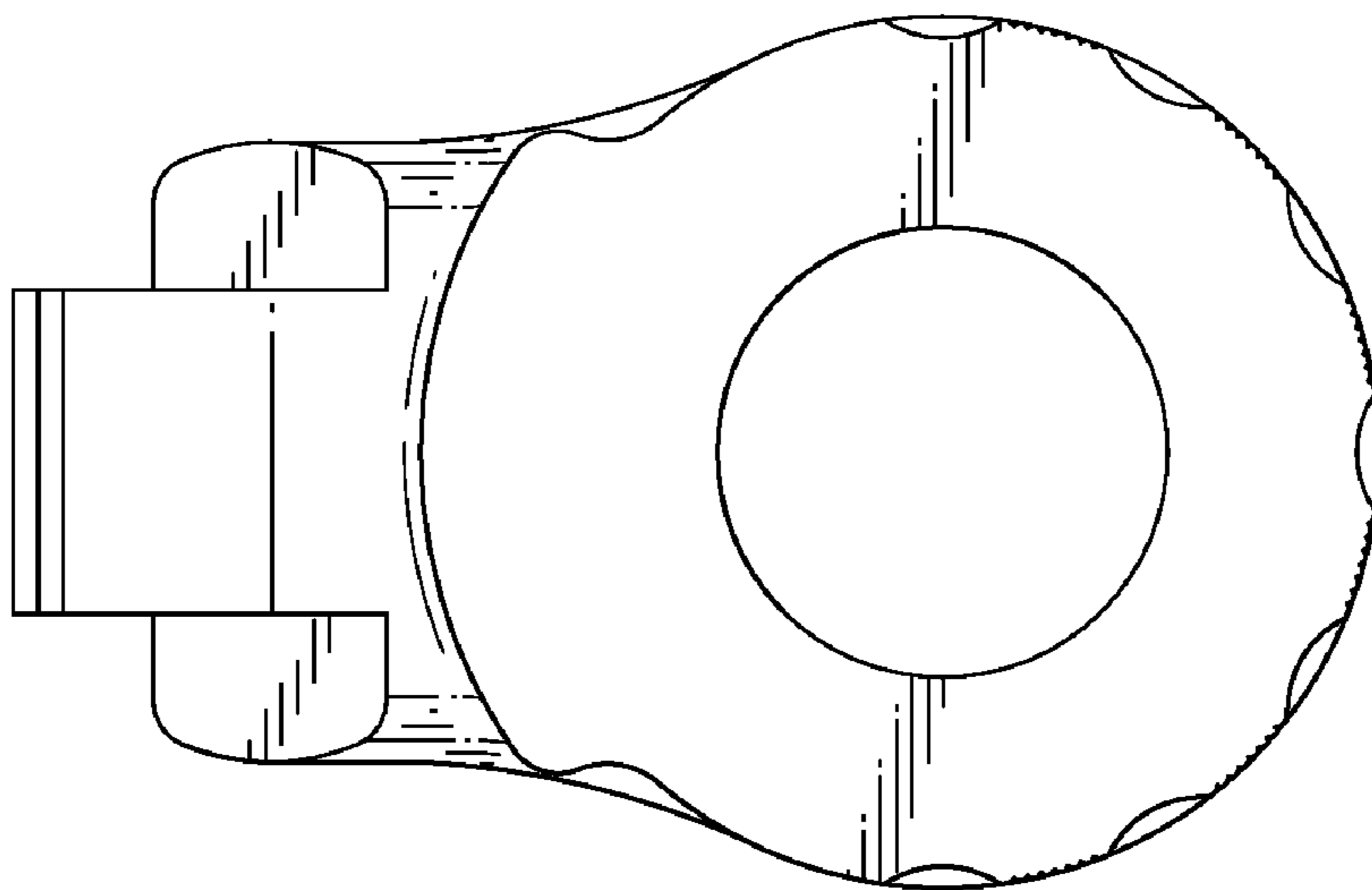


FIG. 6

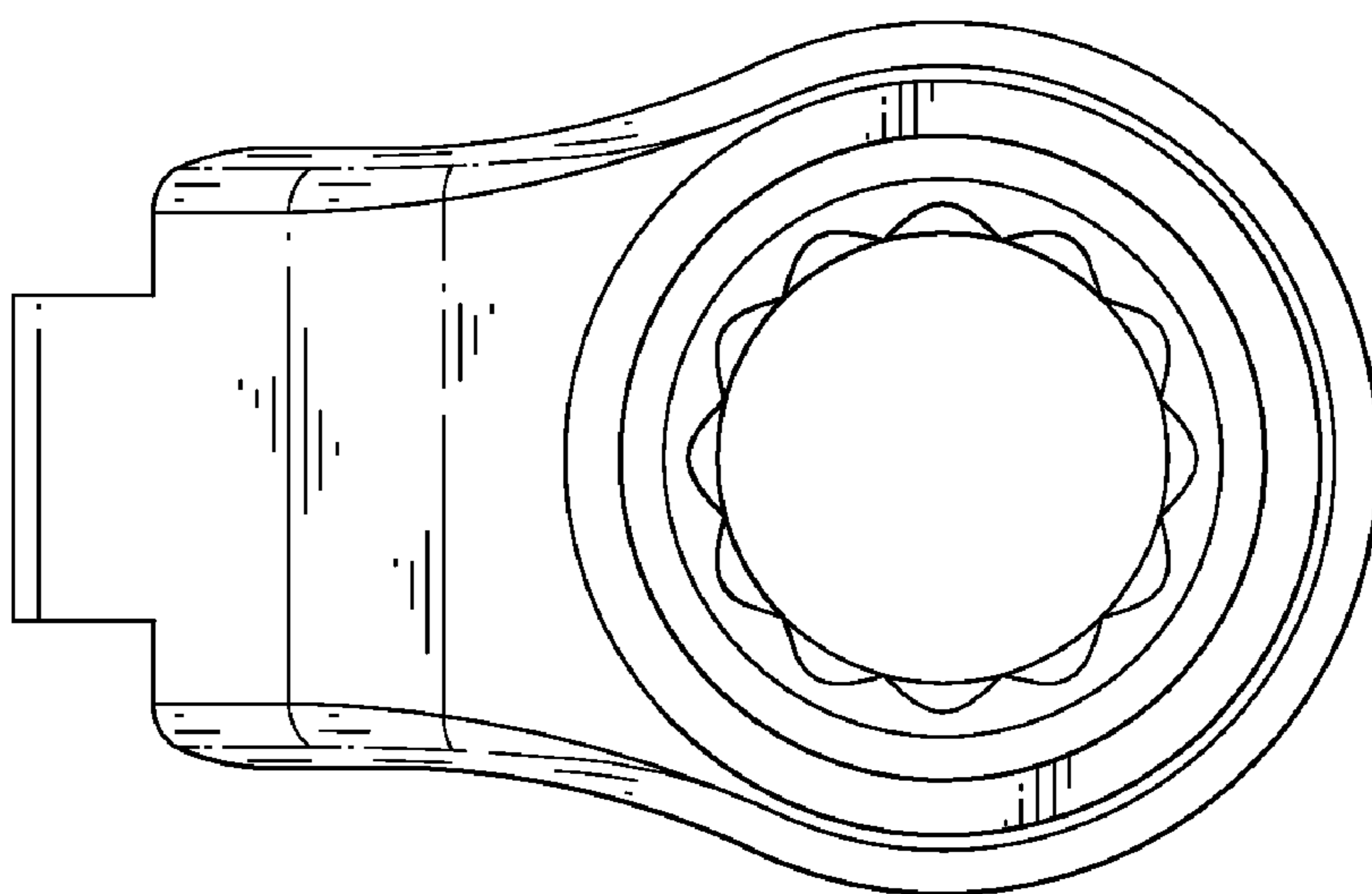


FIG. 7

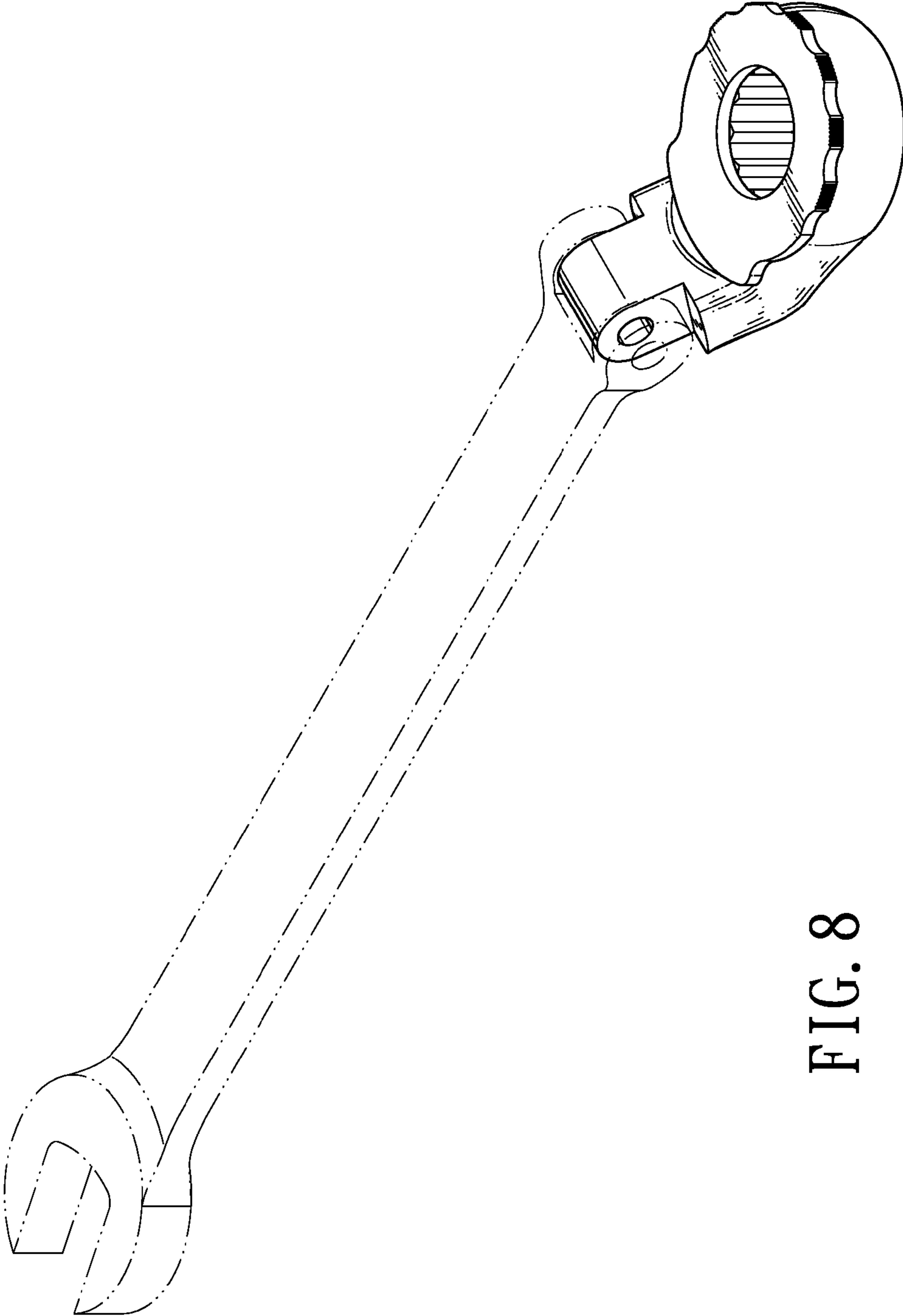


FIG. 8