



US00D606821S

(12) **United States Design Patent**
Schwartz

(10) **Patent No.:** **US D606,821 S**

(45) **Date of Patent:** **** Dec. 29, 2009**

(54) **MULTIPURPOSE TOOL FOR CHAINSAWS**

D549,542 S * 8/2007 Chiang D8/105
D595,106 S * 6/2009 Rubin et al. D8/105

(76) Inventor: **Jonathan Schwartz**, P.O. Box 338,
Colfax, CA (US) 95713

* cited by examiner

(**) Term: **14 Years**

Primary Examiner—Raphael Barkai
Assistant Examiner—Randall H Gholson
(74) *Attorney, Agent, or Firm*—Larry D. Johnson

(21) Appl. No.: **29/338,092**

(22) Filed: **Jun. 4, 2009**

(57) **CLAIM**

(51) **LOC (9) Cl.** **08-05**

The ornamental design for a multipurpose tool for chainsaws,
as shown and described.

(52) **U.S. Cl.** **D8/21**

(58) **Field of Classification Search** D8/17,
D8/21-29, 105-108; 81/60, 177.1, 177.85,
81/121.1, 124.3, 165-170, 110.1, 176.2,
81/124.6, 176.1, 176.15, 177.2; 16/110.1;
D15/144.1; 219/75, 227, 229, 121.16, 121.18
See application file for complete search history.

DESCRIPTION

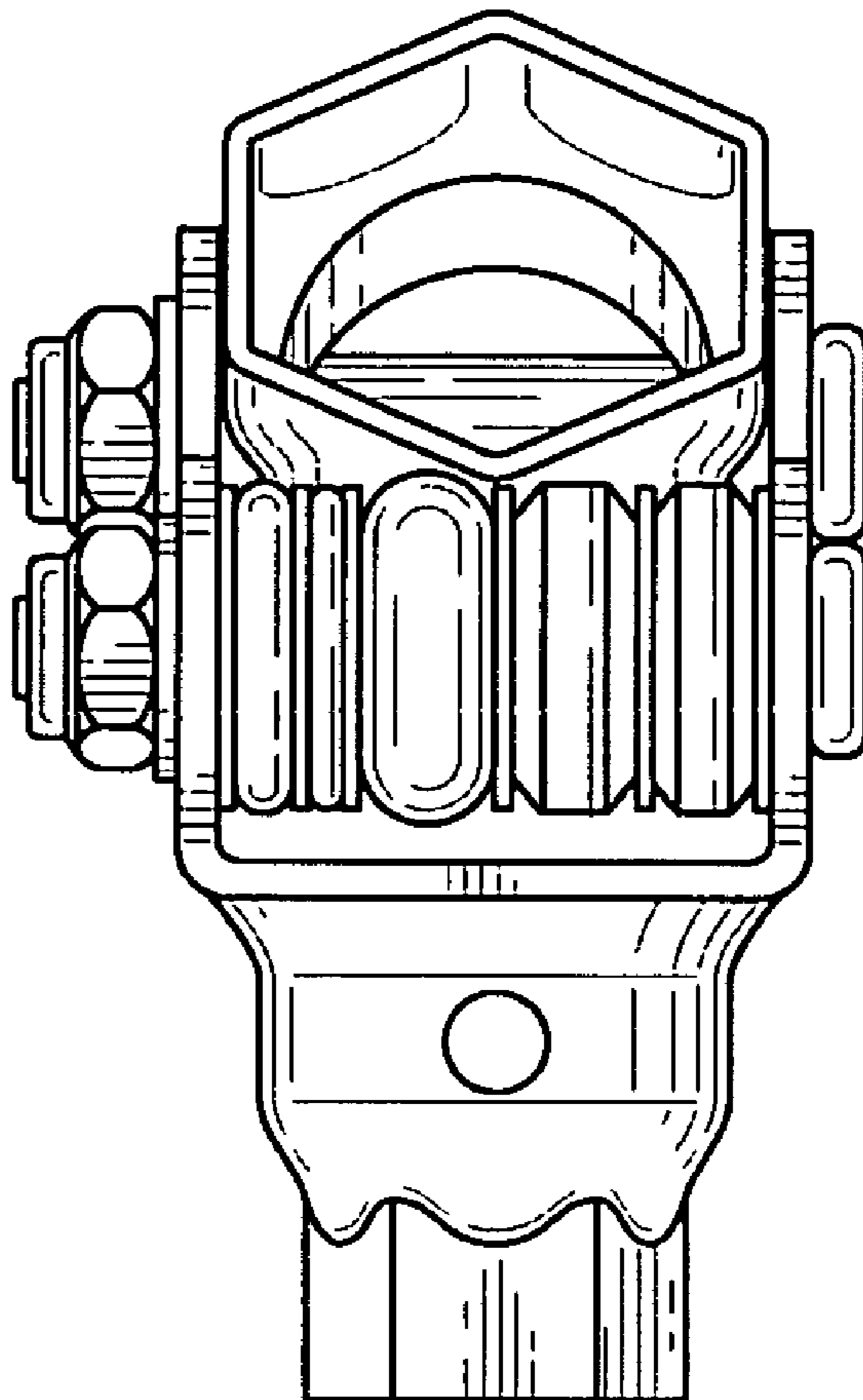
(56) **References Cited**

U.S. PATENT DOCUMENTS

6,128,981 A * 10/2000 Bondhus et al. 81/440
D480,941 S * 10/2003 Dallas D8/105
D515,391 S * 2/2006 Hawkins D8/105
D522,820 S * 6/2006 Chang D8/21
D544,329 S * 6/2007 Tansbo et al. D8/105

FIG. 1 is a front perspective view in closed configuration;
FIG. 2 is a back perspective view;
FIG. 3 is a front view;
FIG. 4 is back view;
FIG. 5 is a left side view;
FIG. 6 is a right side view;
FIG. 7 is a top view;
FIG. 8 is a bottom view; and,
FIG. 9 is a front perspective view in open configuration.

1 Claim, 6 Drawing Sheets



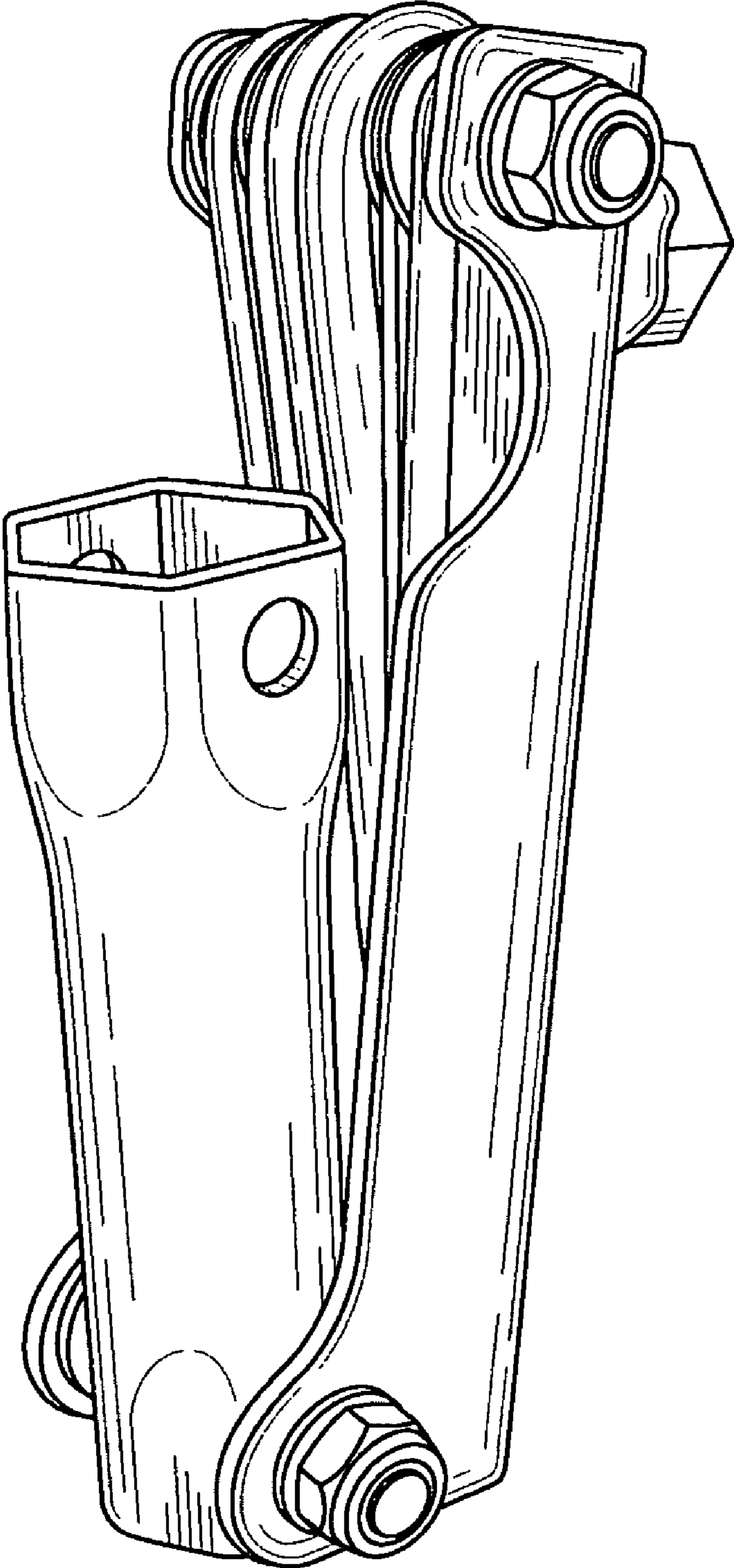


FIG. 1

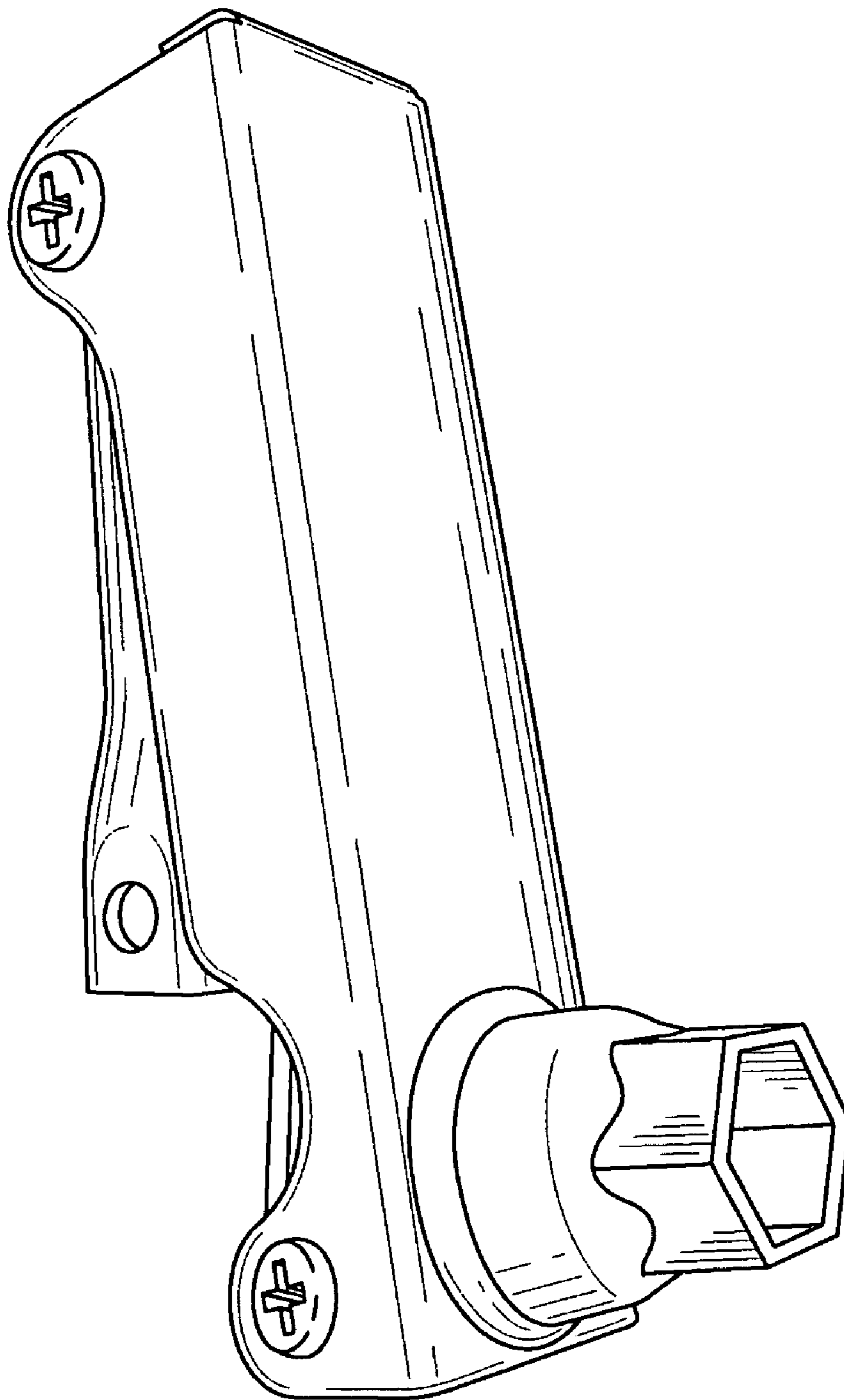


FIG. 2

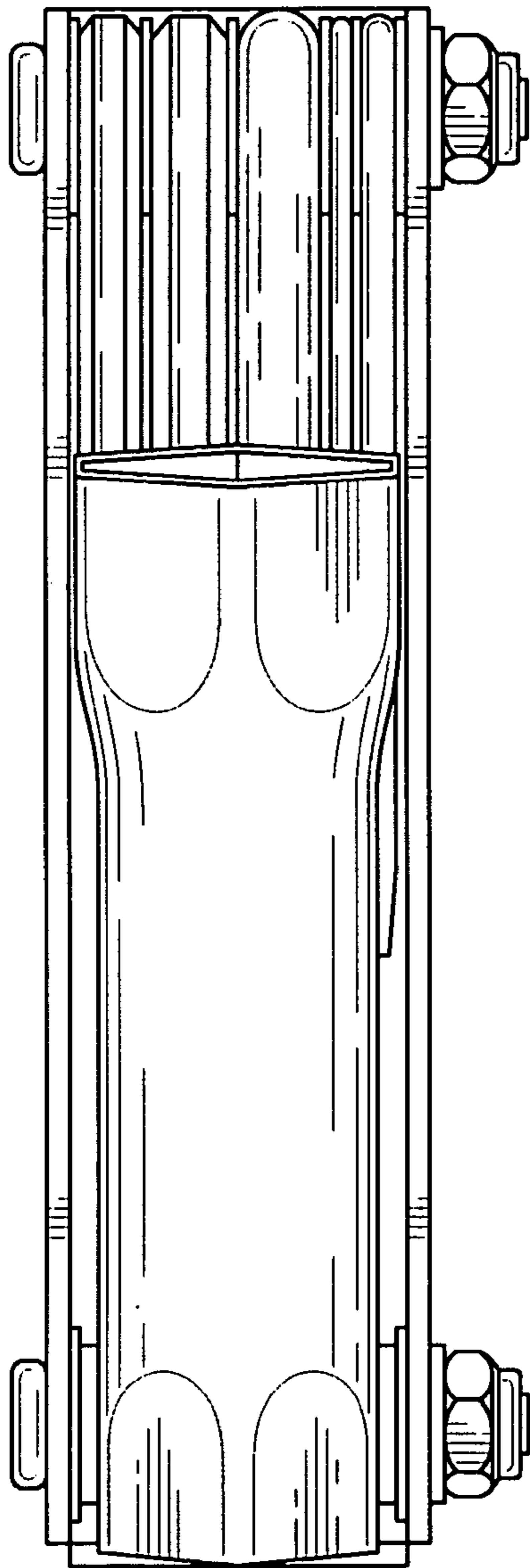


FIG. 3

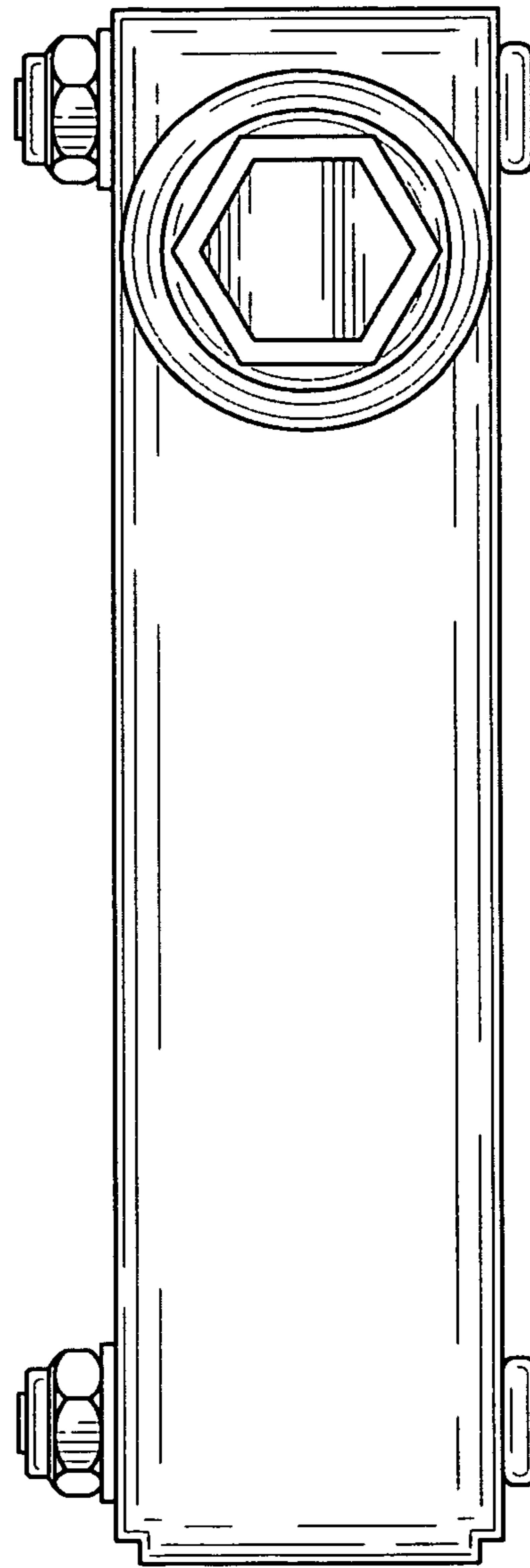


FIG. 4

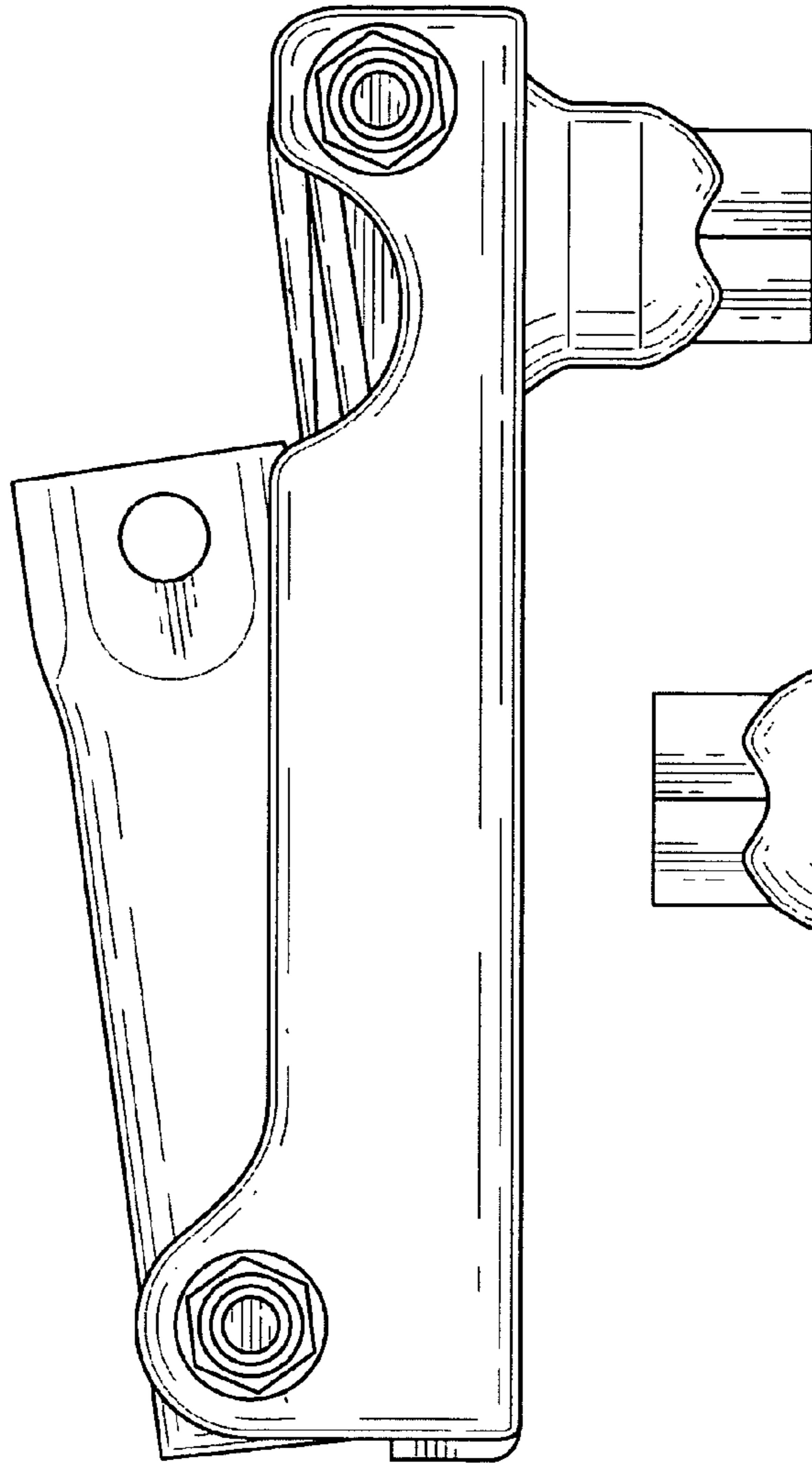


FIG. 5

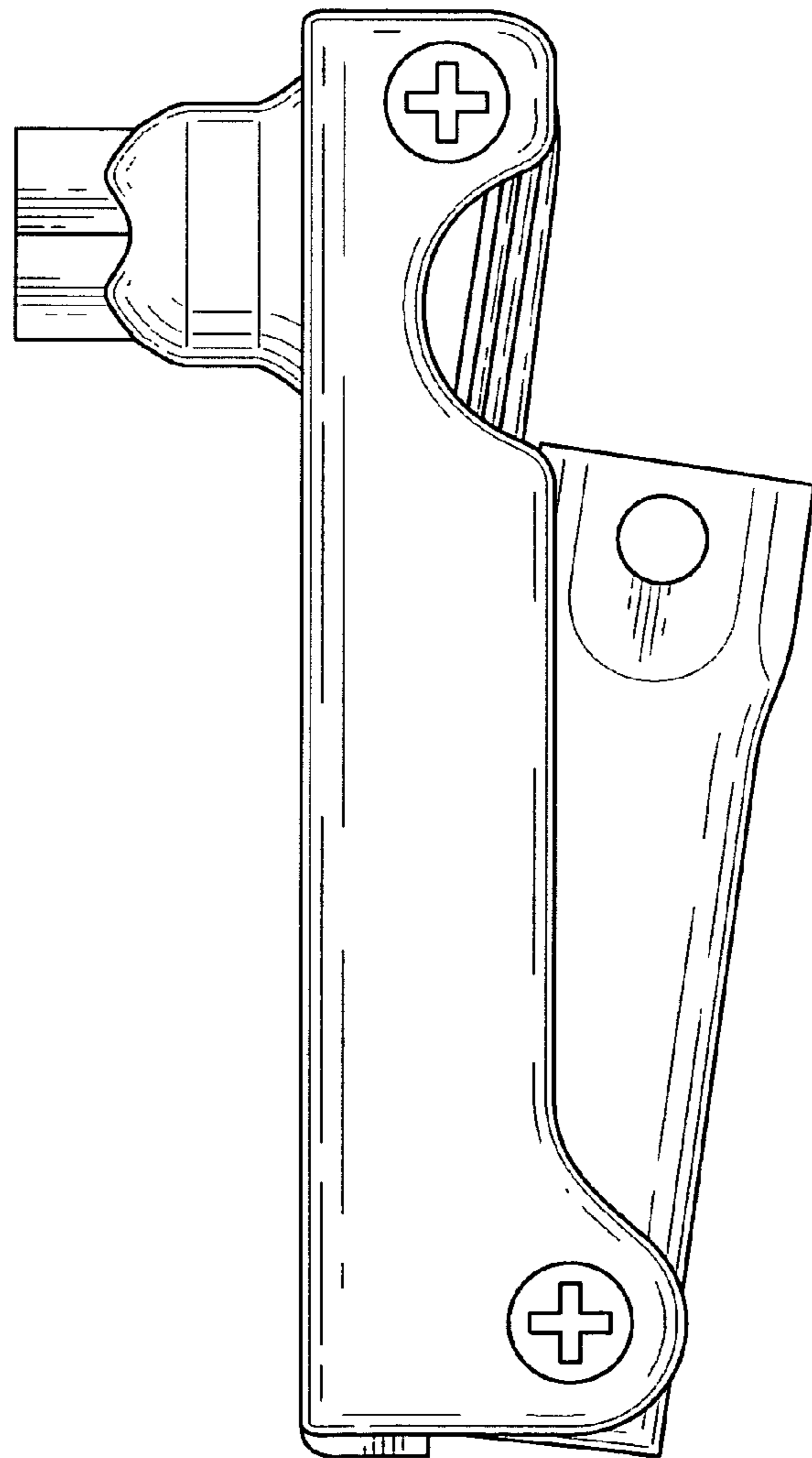


FIG. 6

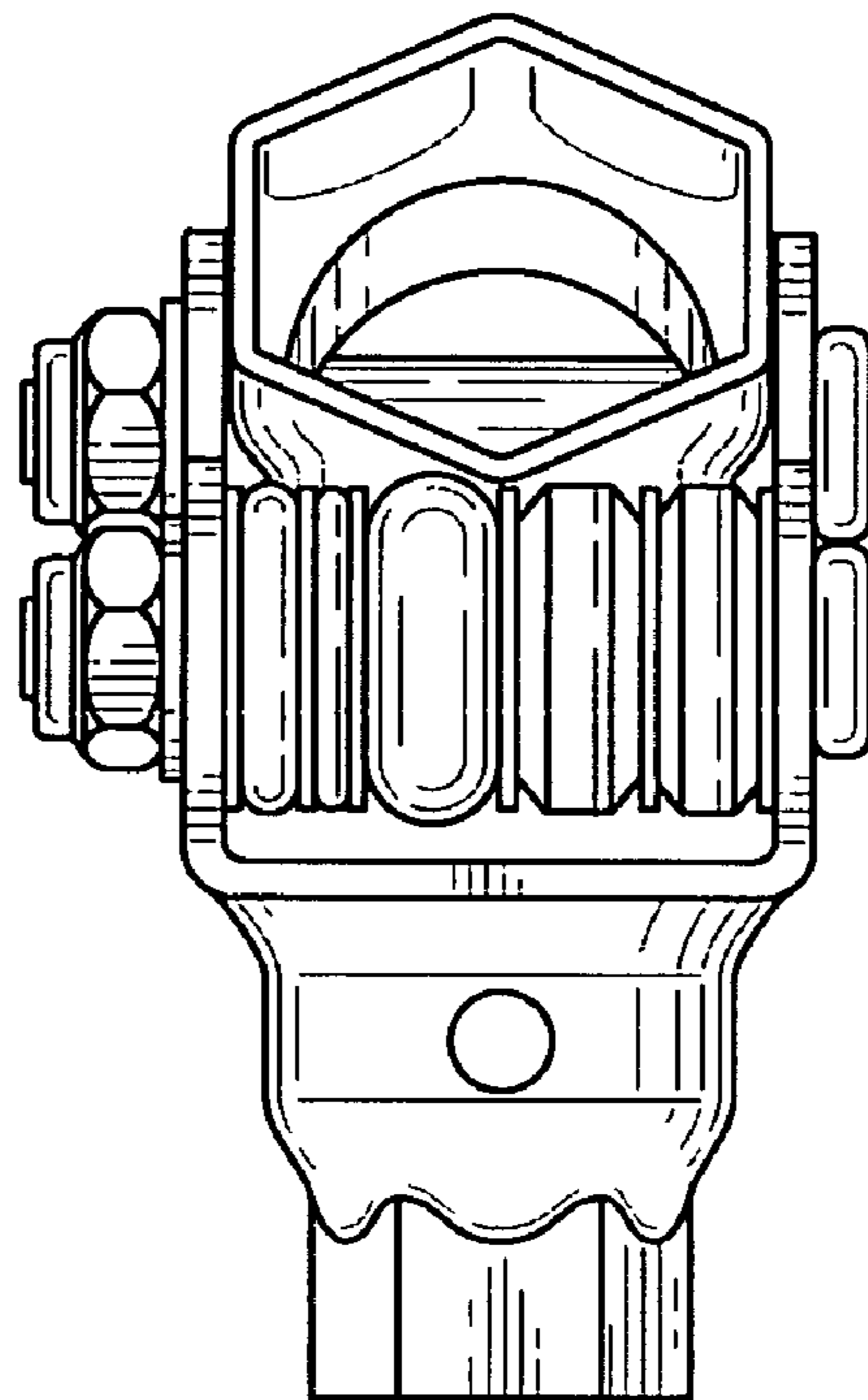


FIG. 7

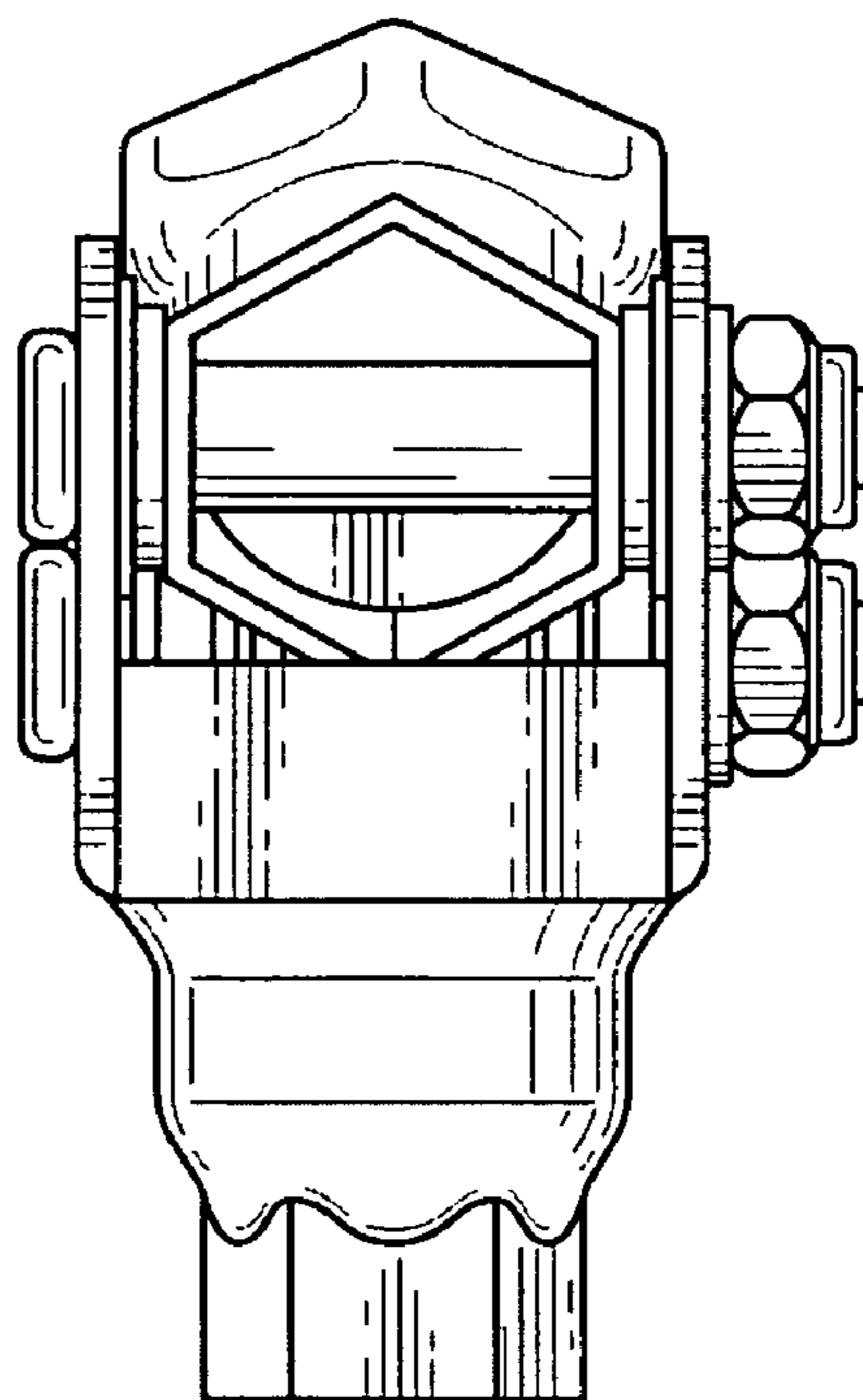


FIG. 8

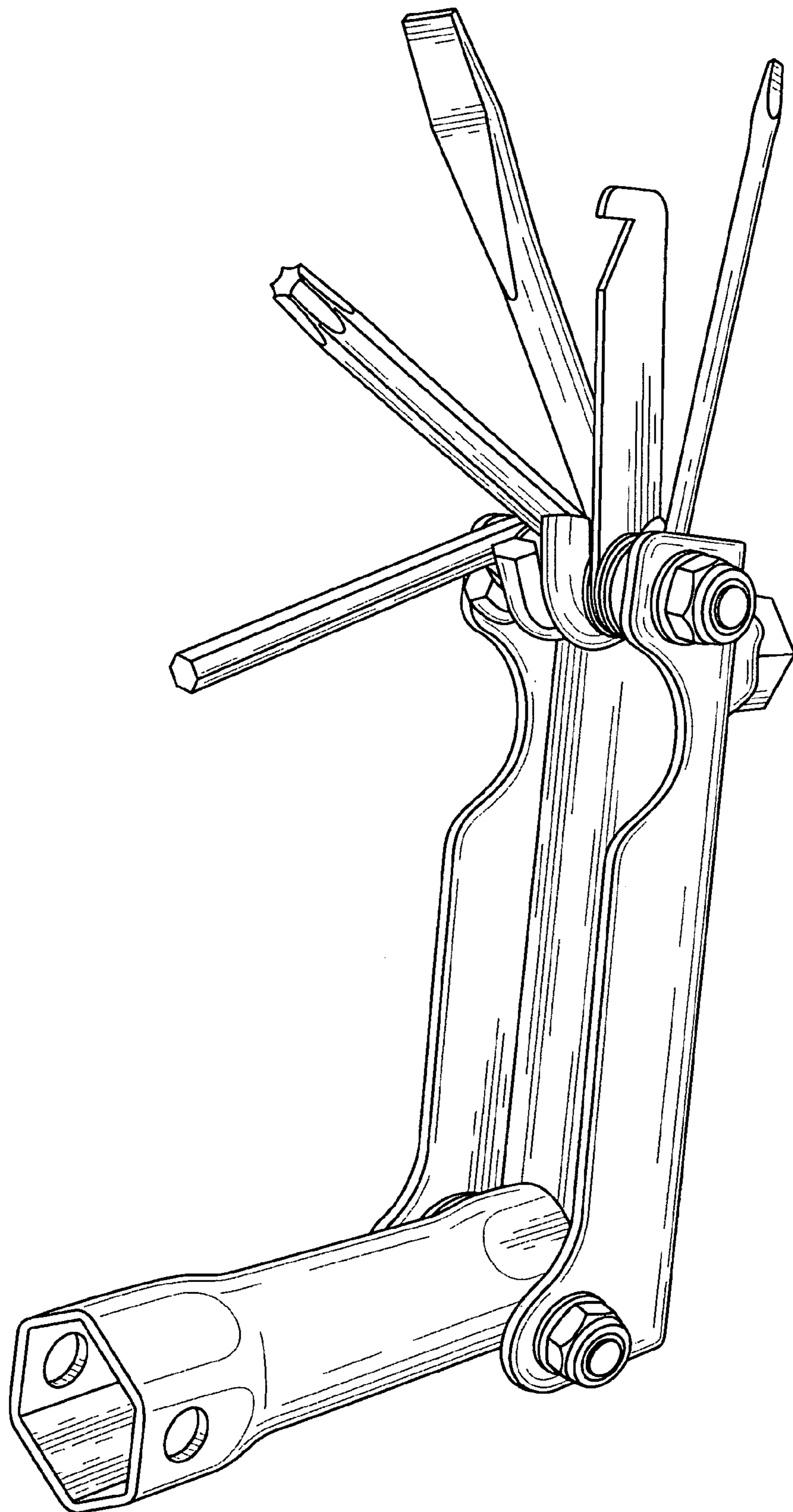


FIG. 9