

US00D606818S

(12) **United States Design Patent**
Atnip et al.

(10) **Patent No.:** **US D606,818 S**
(45) **Date of Patent:** **** Dec. 29, 2009**

(54) **SHOVEL HANDLE**

(75) Inventors: **Timothy Edward Atnip**, Temecula, CA (US); **Kevin Wong**, Lake Elsinore, CA (US); **Philip Curtis Rogers**, Temecula, CA (US); **Hyok Lee**, Corona, CA (US); **Stephen James Hull**, Chandler, AZ (US); **Jason D. Veltz**, Laguna Hills, CA (US); **Moises Ramirez**, Corona, CA (US)

(73) Assignee: **Corona Clipper, Inc.**, Corona, CA (US)

(**) Term: **14 Years**

(21) Appl. No.: **29/329,950**

(22) Filed: **Dec. 23, 2008**

(51) **LOC (9) Cl.** **08-01**

(52) **U.S. Cl.** **D8/10**

(58) **Field of Classification Search** D8/10;
294/54.5, 49, 51, 53.5, 55

See application file for complete search history.

(56) **References Cited**

U.S. PATENT DOCUMENTS

1,757,693	A *	5/1930	Webster	294/57
D190,870	S *	7/1961	Blankenship	D8/10
D291,863	S *	9/1987	Kolonia	D8/107
D548,550	S *	8/2007	Yeh	D8/10
D584,582	S *	1/2009	Wong et al.	D8/10
D592,920	S *	5/2009	Boies et al.	D8/10
D595,550	S *	7/2009	Wong et al.	D8/10

* cited by examiner

Primary Examiner—Holly H Baynham
Assistant Examiner—Sheryl Lane

(57) **CLAIM**

The ornamental design for the shovel handle, as shown and described.

DESCRIPTION

FIG. 1 is a top view of the shovel handle of the claimed design.

FIG. 2 is a right side view of the shovel handle of the claimed design; the left side view being a mirror image.

FIG. 3 is a bottom view of the shovel handle of the claimed design.

FIG. 4 is a right end view of the shovel handle of the claimed design.

FIG. 5 is a left end view of the shovel handle of the claimed design.

FIG. 6 is a top view of the shovel handle of the claimed design in an alternate environment.

FIG. 7 is a right side view of the shovel handle of the claimed design in an alternate environment; the left side being a mirror image.

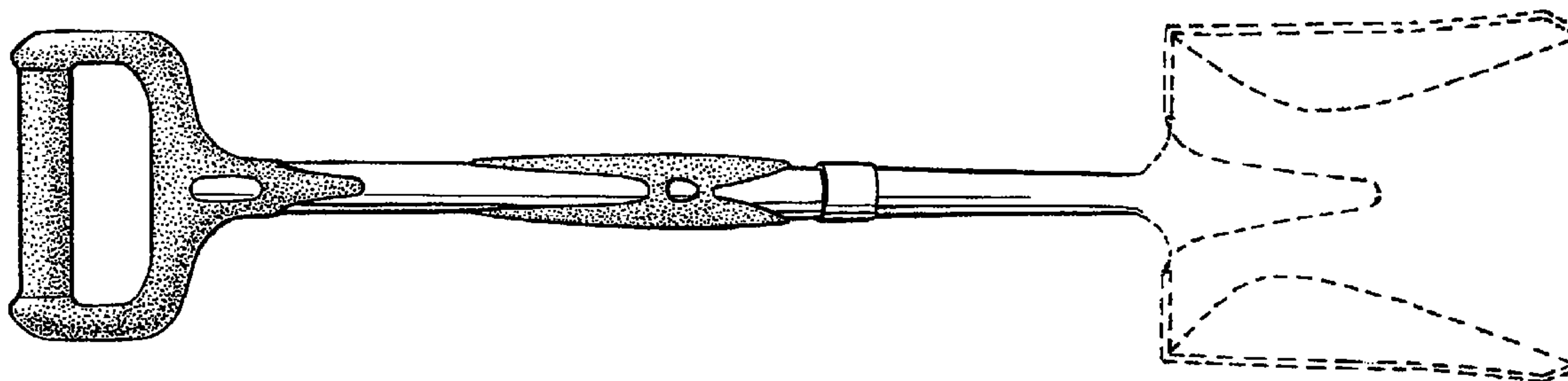
FIG. 8 is a bottom view of the shovel handle of the claimed design in an alternate environment.

FIG. 9 is a right end view of the shovel handle of the claimed design in an alternate environment; and,

FIG. 10 is a left end view of the shovel handle of the claimed design in an alternate environment.

The broken lines show the environment of the claimed shovel handle design and forms no part thereof.

1 Claim, 4 Drawing Sheets



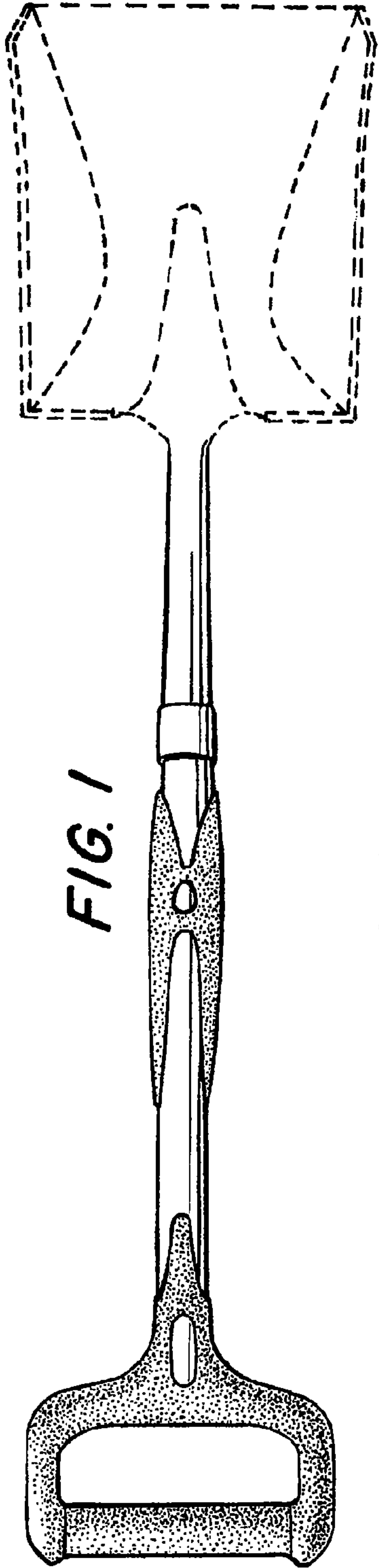


FIG. 1

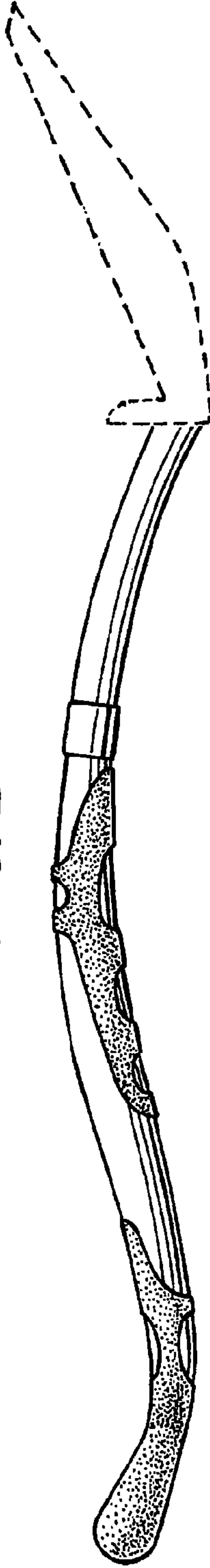


FIG. 2

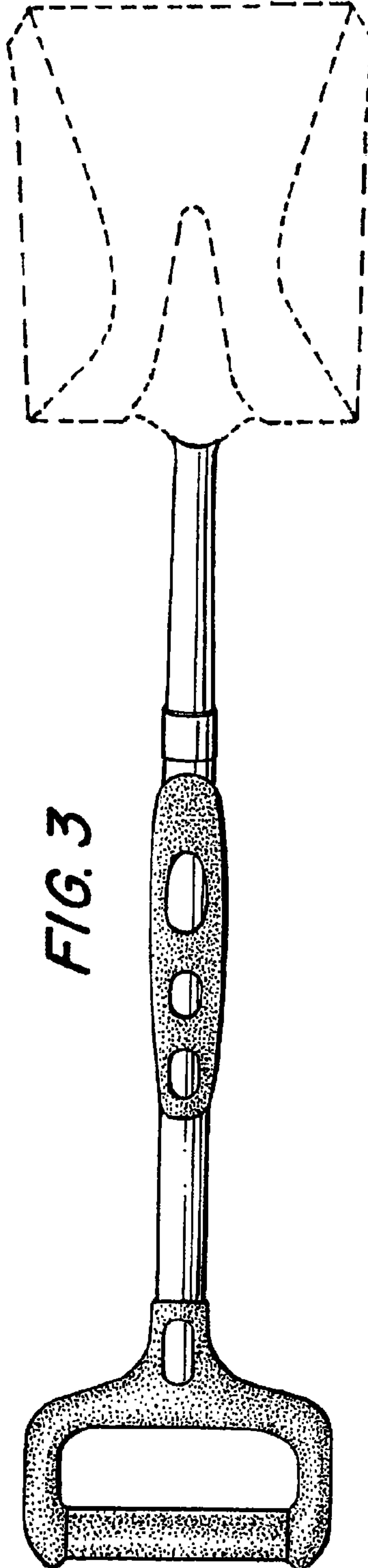


FIG. 3

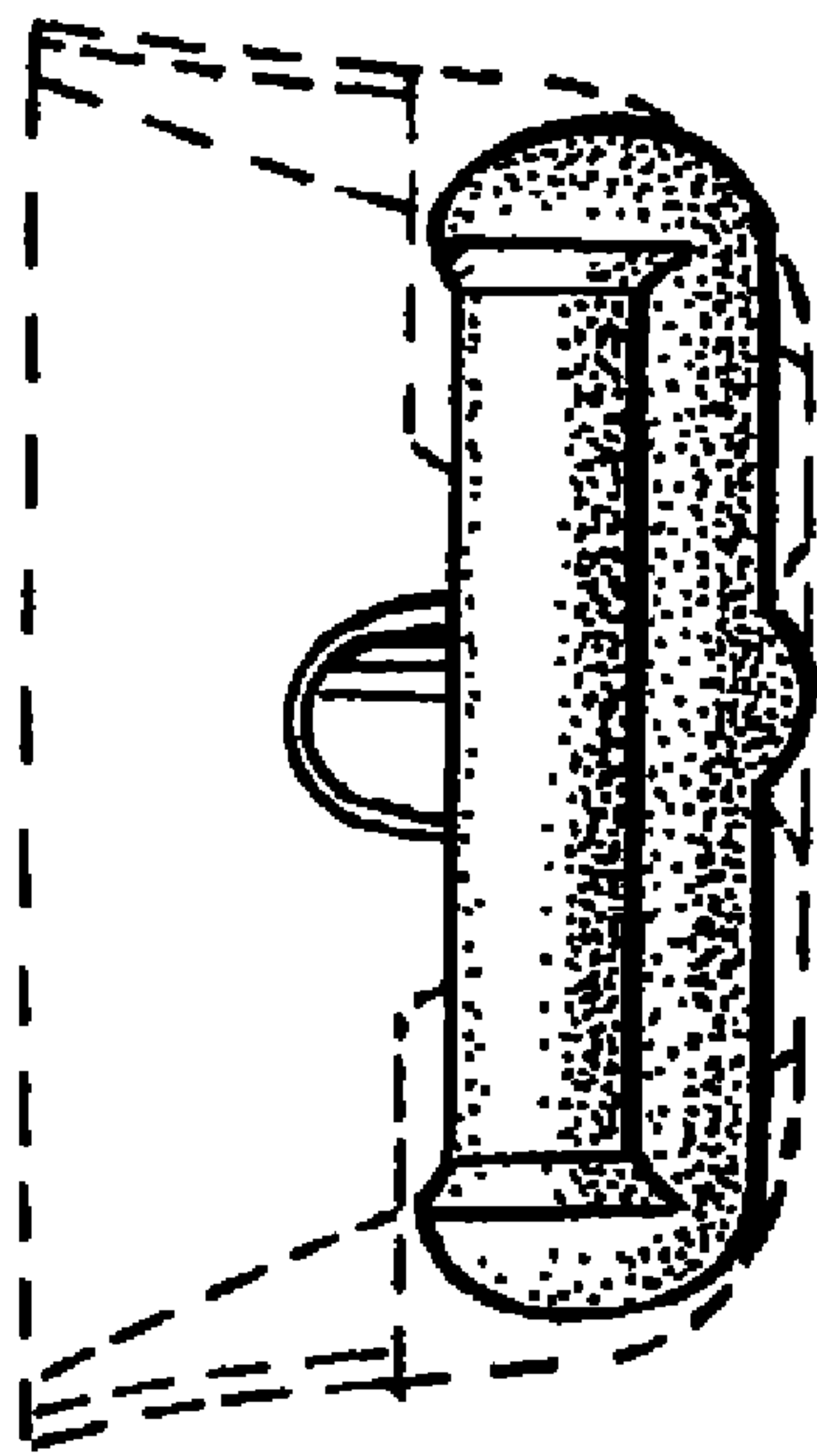


FIG. 4

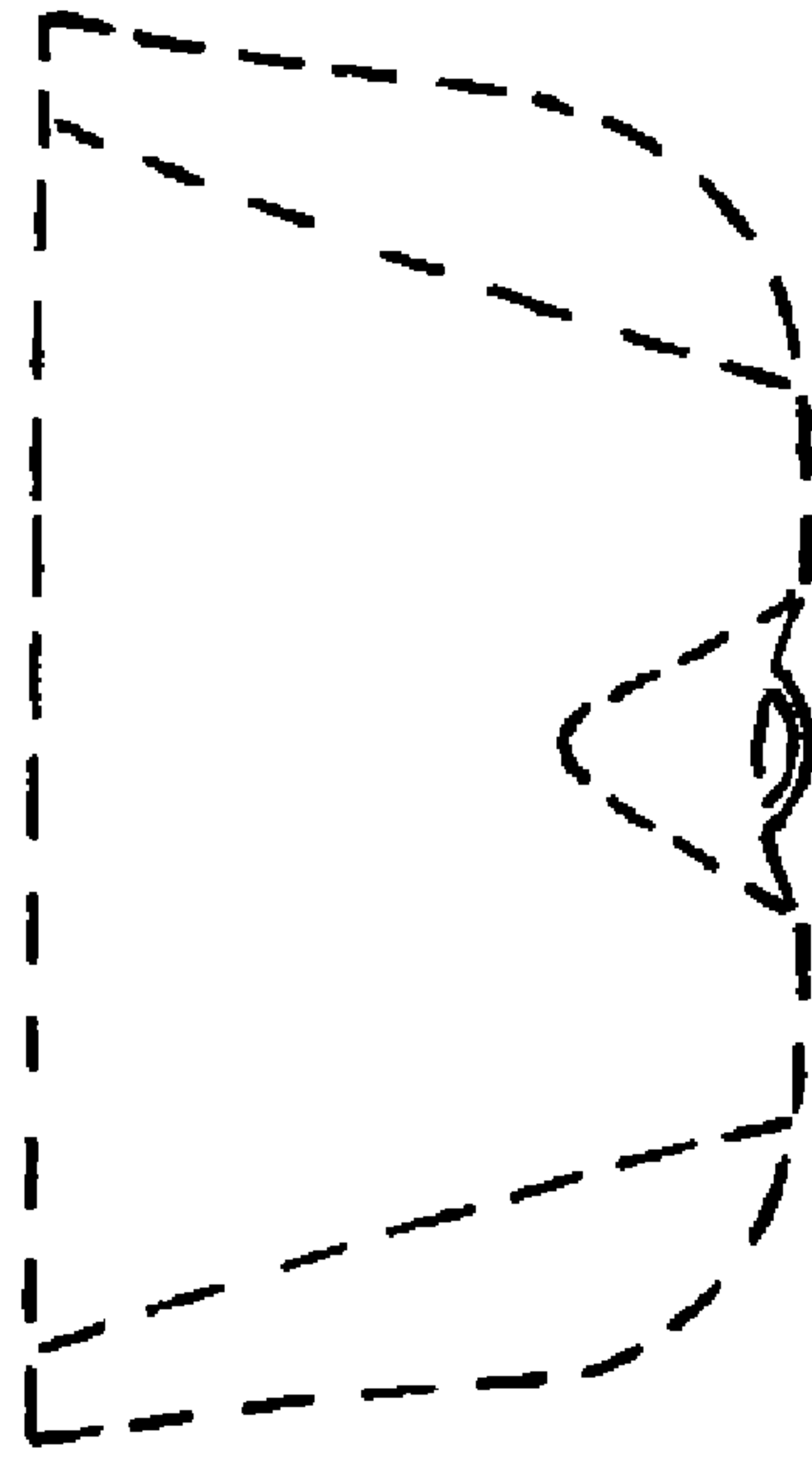


FIG. 5

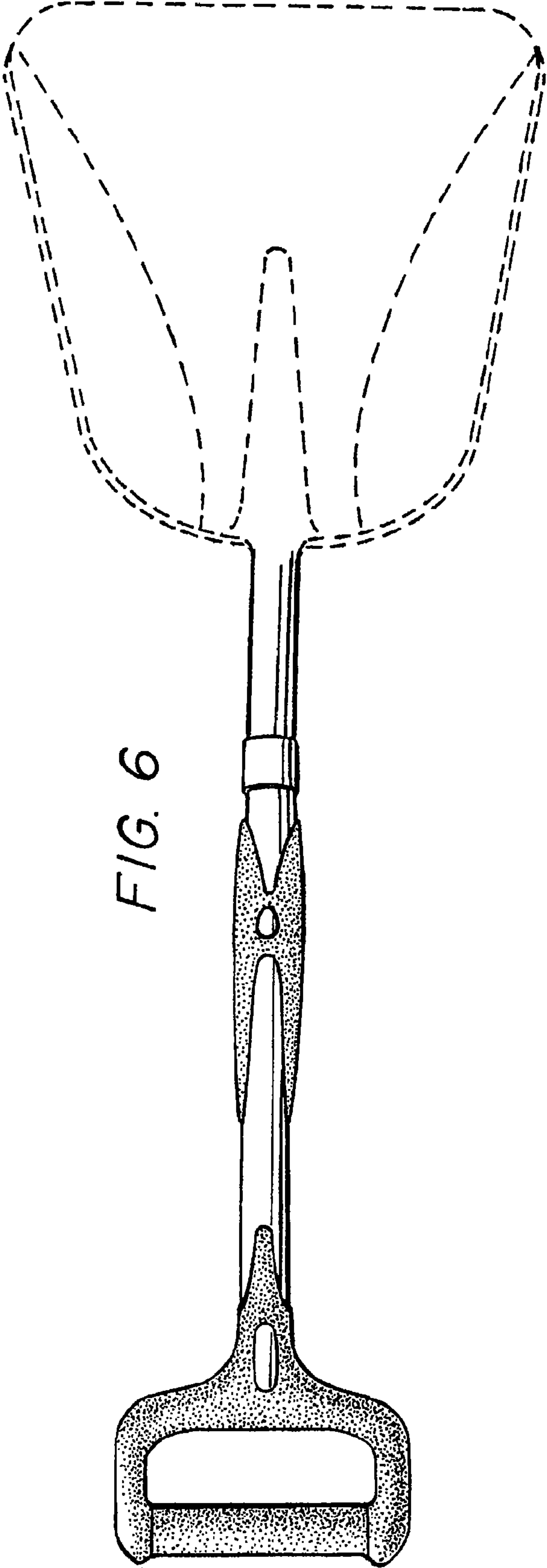


FIG. 6

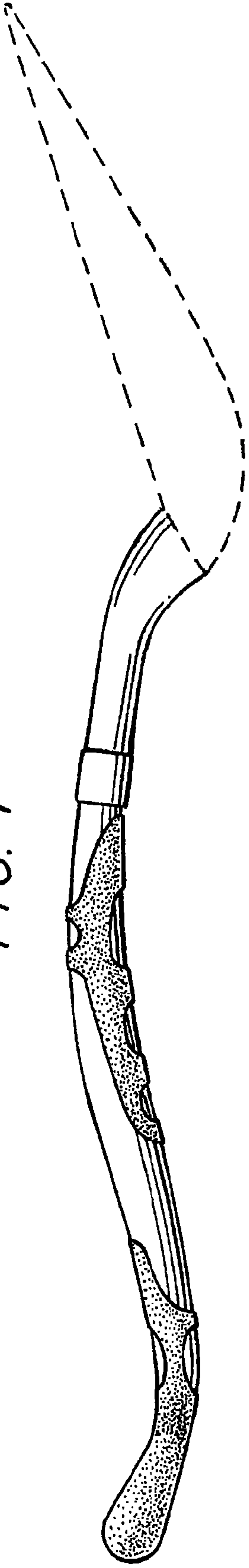


FIG. 7

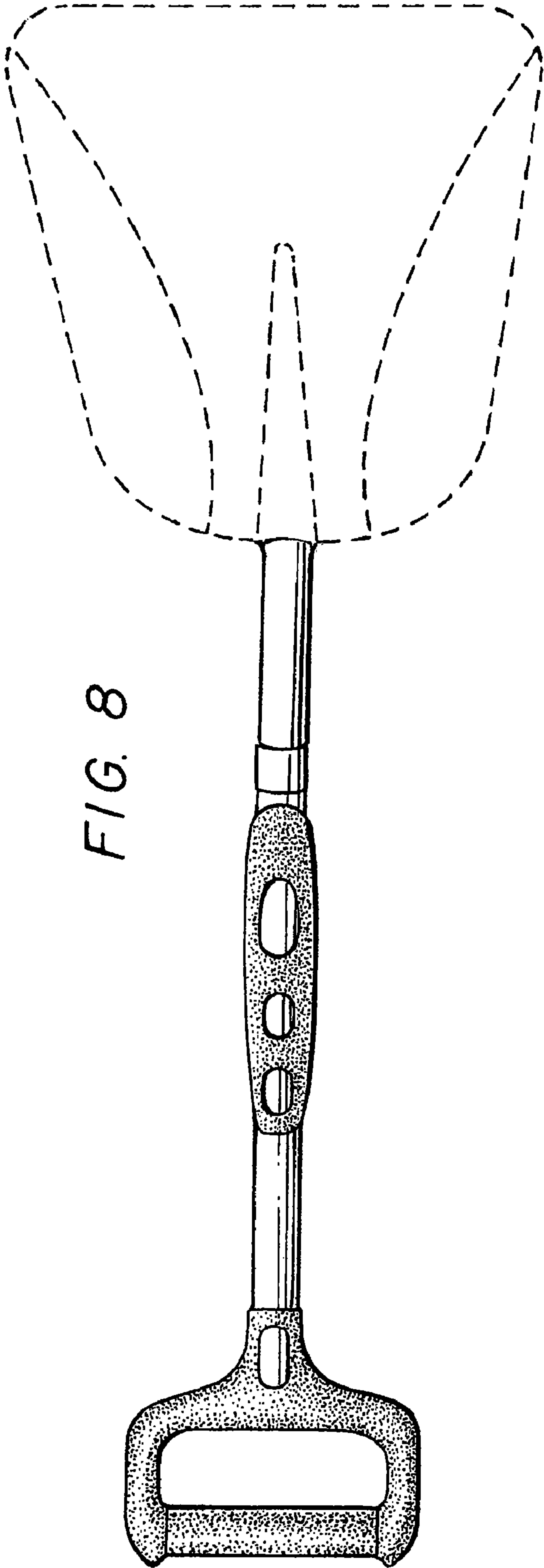


FIG. 8

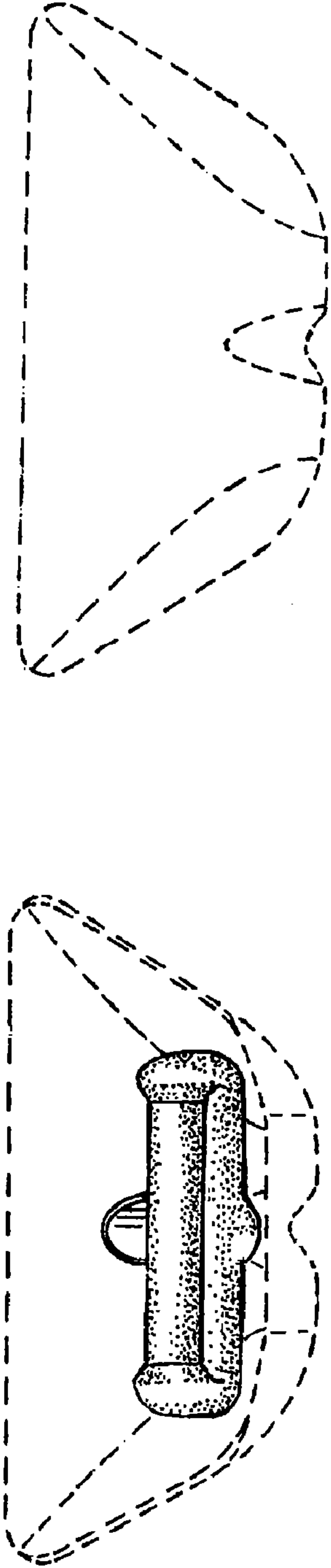


FIG. 9

FIG. 10