



US00D606817S

(12) **United States Design Patent**  
**Boies**

(10) **Patent No.:** **US D606,817 S**  
(45) **Date of Patent:** **\*\* Dec. 29, 2009**

(54) **SHOVEL**

(75) Inventor: **David Boies**, Levis (CA)  
(73) Assignee: **Garant GP**, St-François (CA)  
(\*\*) Term: **14 Years**  
(21) Appl. No.: **29/321,998**  
(22) Filed: **Jul. 28, 2008**

(30) **Foreign Application Priority Data**

Feb. 13, 2008 (CA) ..... 124581

(51) **LOC (9) Cl.** ..... **08-01**

(52) **U.S. Cl.** ..... **D8/10**

(58) **Field of Classification Search** ..... D8/10;  
294/49, 54.5, 56, 57, 58

See application file for complete search history.

(56) **References Cited**

**U.S. PATENT DOCUMENTS**

4,050,727	A *	9/1977	Bonnes	.....	294/49
D250,083	S *	10/1978	Insalaco	.....	D9/10
D292,061	S *	9/1987	Germain	.....	D9/10
D300,199	S *	3/1989	Ipema	.....	D8/10
D435,406	S *	12/2000	Alexander et al.	.....	D8/10
D534,045	S *	12/2006	Fortier	.....	D9/10
D548,550	S *	8/2007	Yeh	.....	D9/10
D570,653	S *	6/2008	Baker	.....	D8/10

\* cited by examiner

*Primary Examiner*—Holly H Baynham

*Assistant Examiner*—Sheryl Lane

(74) *Attorney, Agent, or Firm*—Goudreau Gage Dubuc

(57) **CLAIM**

The ornamental design for a shovel, as shown and described.

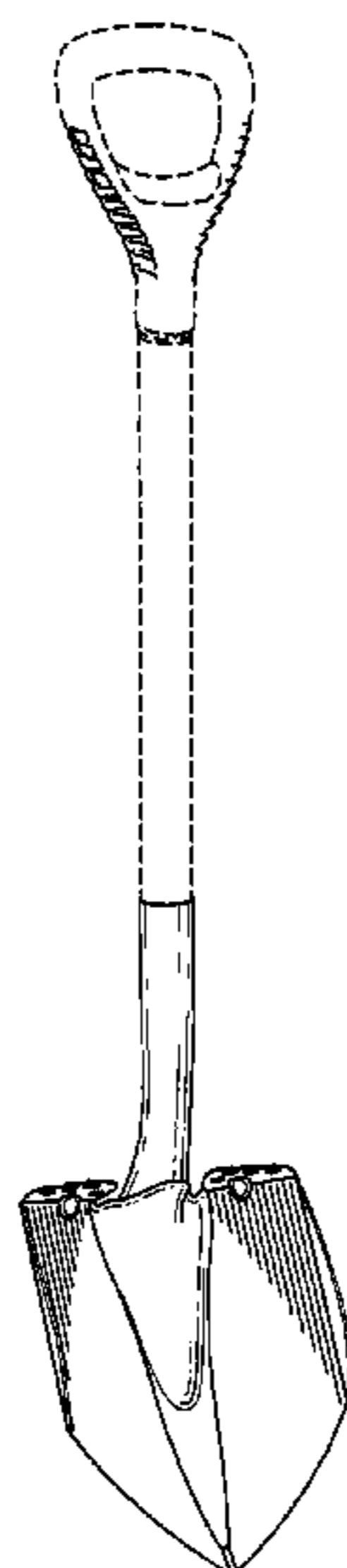
**DESCRIPTION**

FIG. 1 is a perspective view of a shovel according to a first variant my design;

FIG. 2 is a front view of the shovel of FIG. 1;  
 FIG. 3 is a back view of the shovel of FIG. 1;  
 FIG. 4 is a top view of the shovel of FIG. 1;  
 FIG. 5 is bottom view of the shovel of FIG. 1;  
 FIG. 6 is a side view of the shovel of FIG. 1;  
 FIG. 7 is a perspective view of a shovel according to a second variant my design;  
 FIG. 8 is a front view of the shovel of FIG. 7;  
 FIG. 9 is a back view of the shovel of FIG. 7;  
 FIG. 10 is a top view of the shovel of FIG. 7;  
 FIG. 11 is bottom view of the shovel of FIG. 7;  
 FIG. 12 is a side view of the shovel of FIG. 7;  
 FIG. 13 is a perspective view of a shovel according to a third variant my design;  
 FIG. 14 is a front view of the shovel of FIG. 13;  
 FIG. 15 is a back view of the shovel of FIG. 13;  
 FIG. 16 is a top view of the shovel of FIG. 13;  
 FIG. 17 is bottom view of the shovel of FIG. 13;  
 FIG. 18 is a side view of the shovel of FIG. 13;  
 FIG. 19 is a perspective view of a shovel according to a fourth variant my design;  
 FIG. 20 is a front view of the shovel of FIG. 19;  
 FIG. 21 is a back view of the shovel of FIG. 19;  
 FIG. 22 is a top view of the shovel of FIG. 19;  
 FIG. 23 is bottom view of the shovel of FIG. 19; and,  
 FIG. 24 is a side view of the shovel of FIG. 19.

The broken line showing of the shovel is included for the purpose of illustrating portions of the article and forms no part of the claimed design.

**1 Claim, 20 Drawing Sheets**



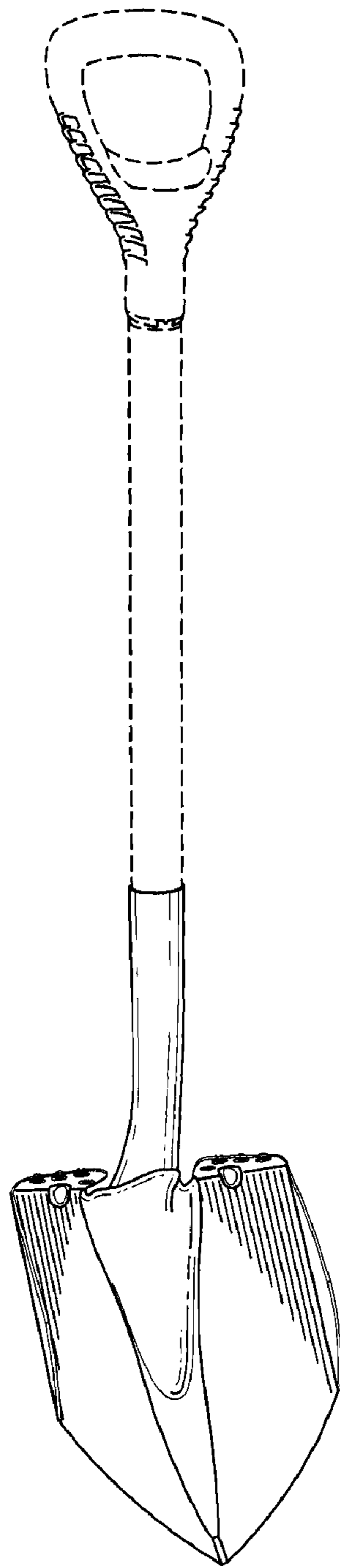


FIG. 1

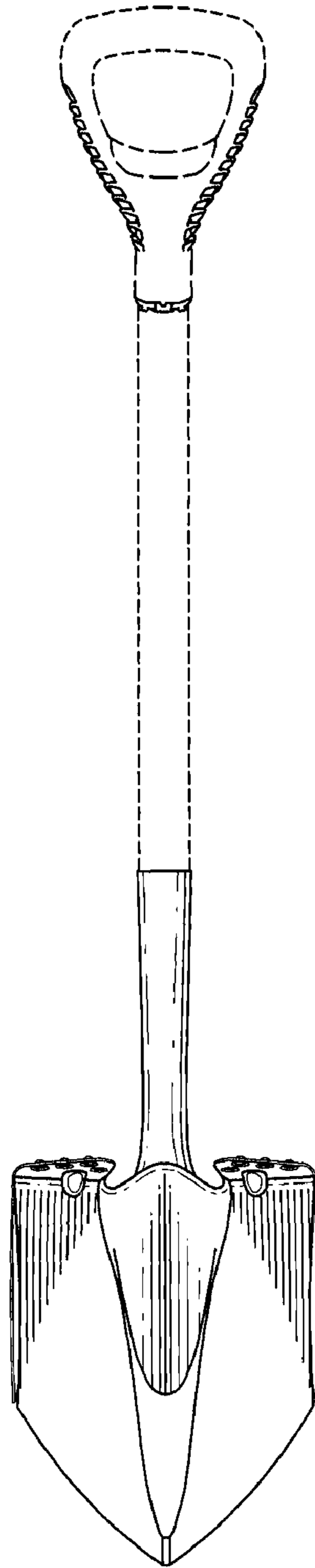


FIG. 2

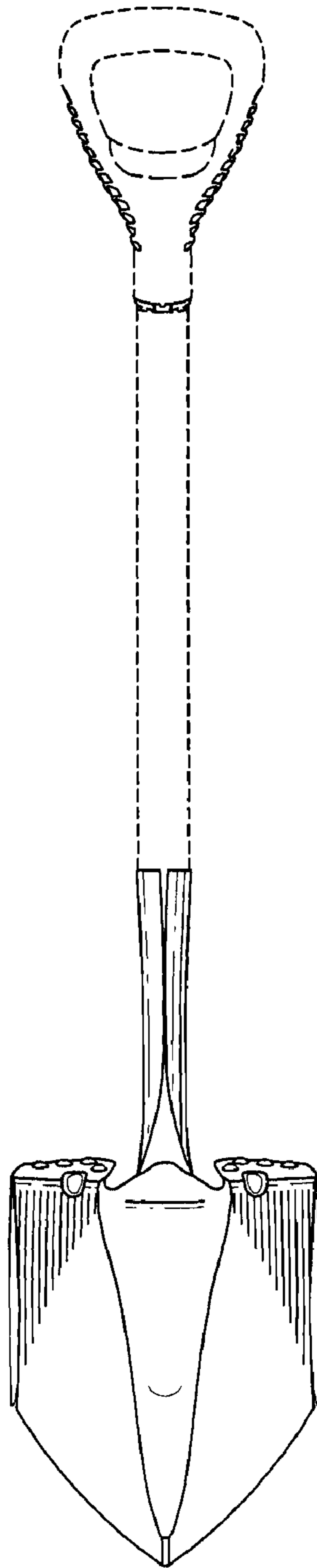


FIG. 3

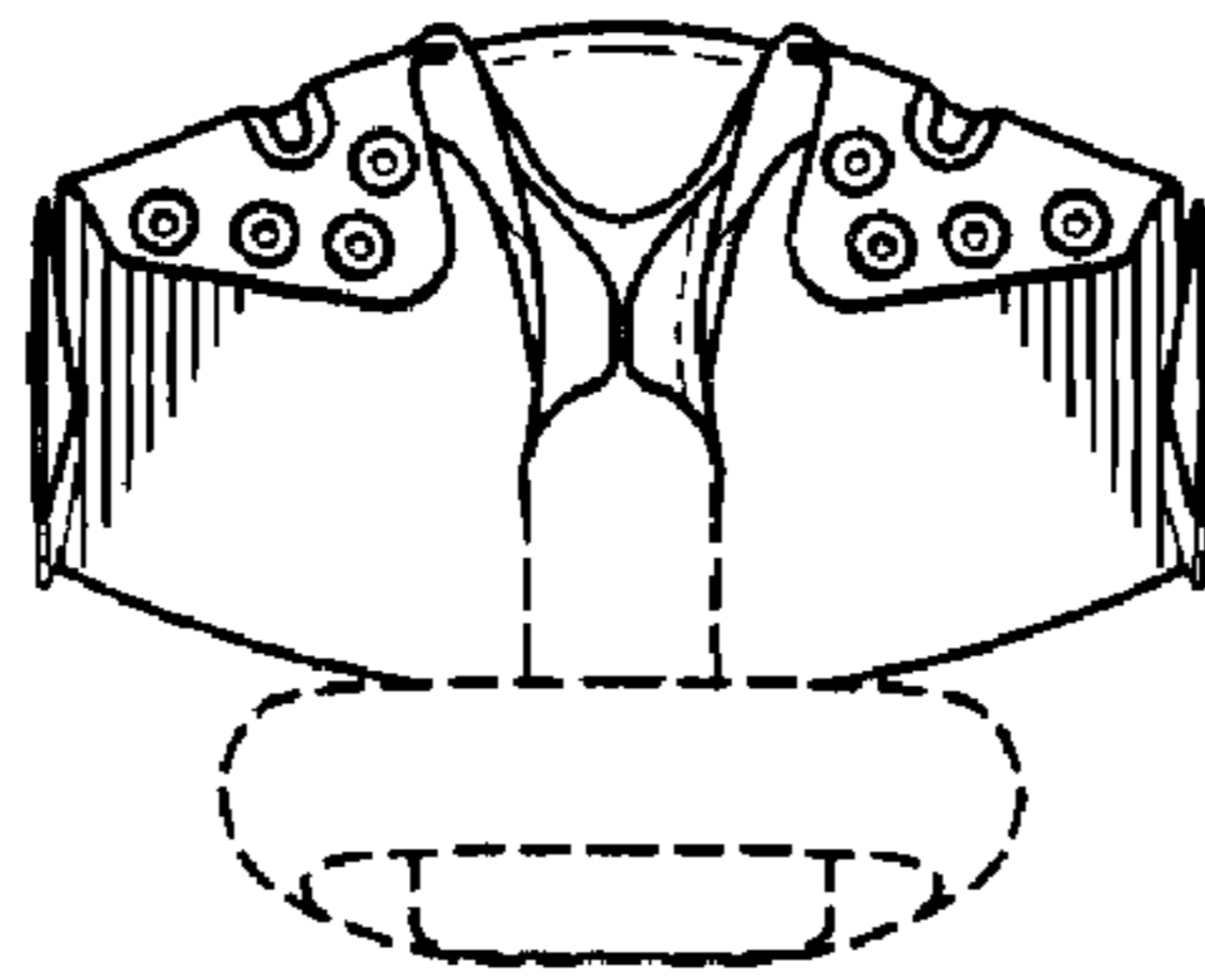


FIG. 4

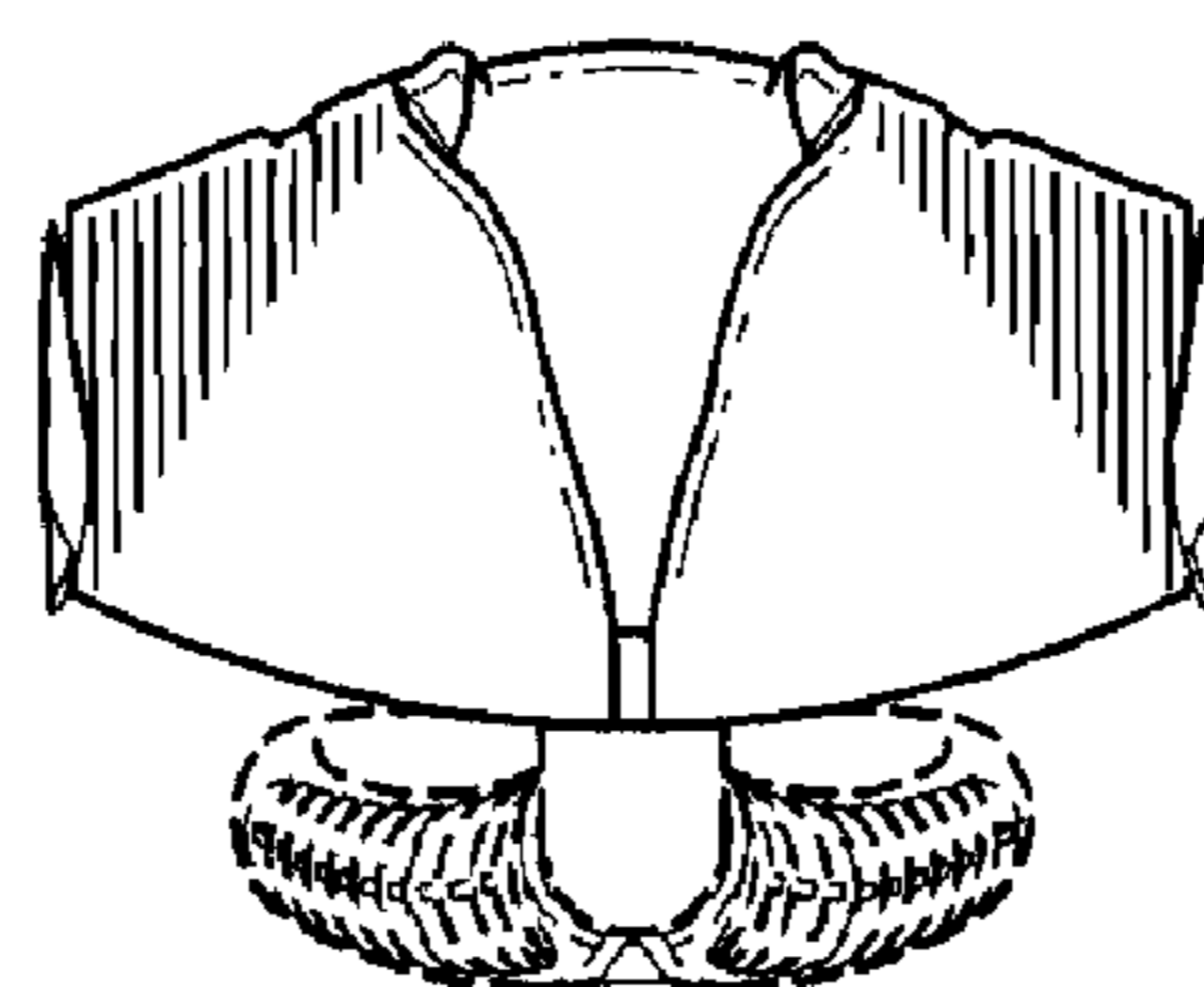


FIG. 5

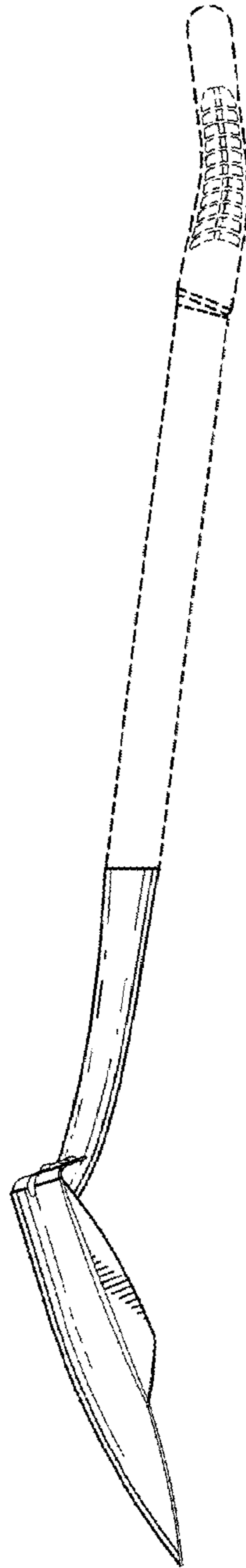


FIG. 6

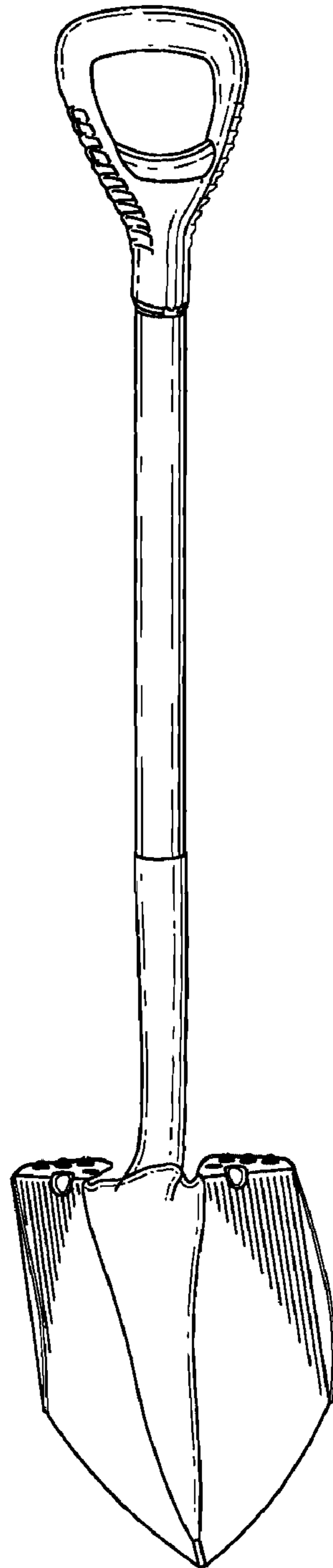


FIG. 7

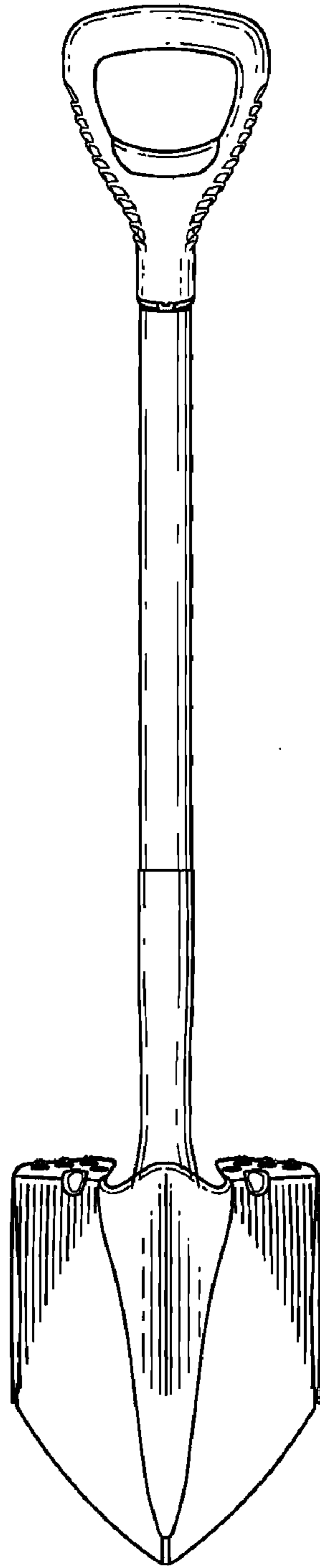


FIG. 8



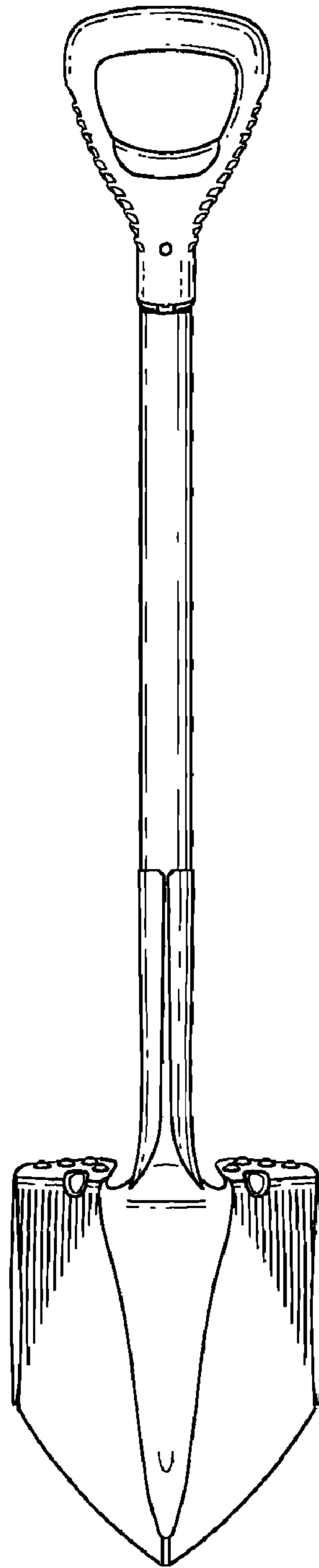


FIG. 9

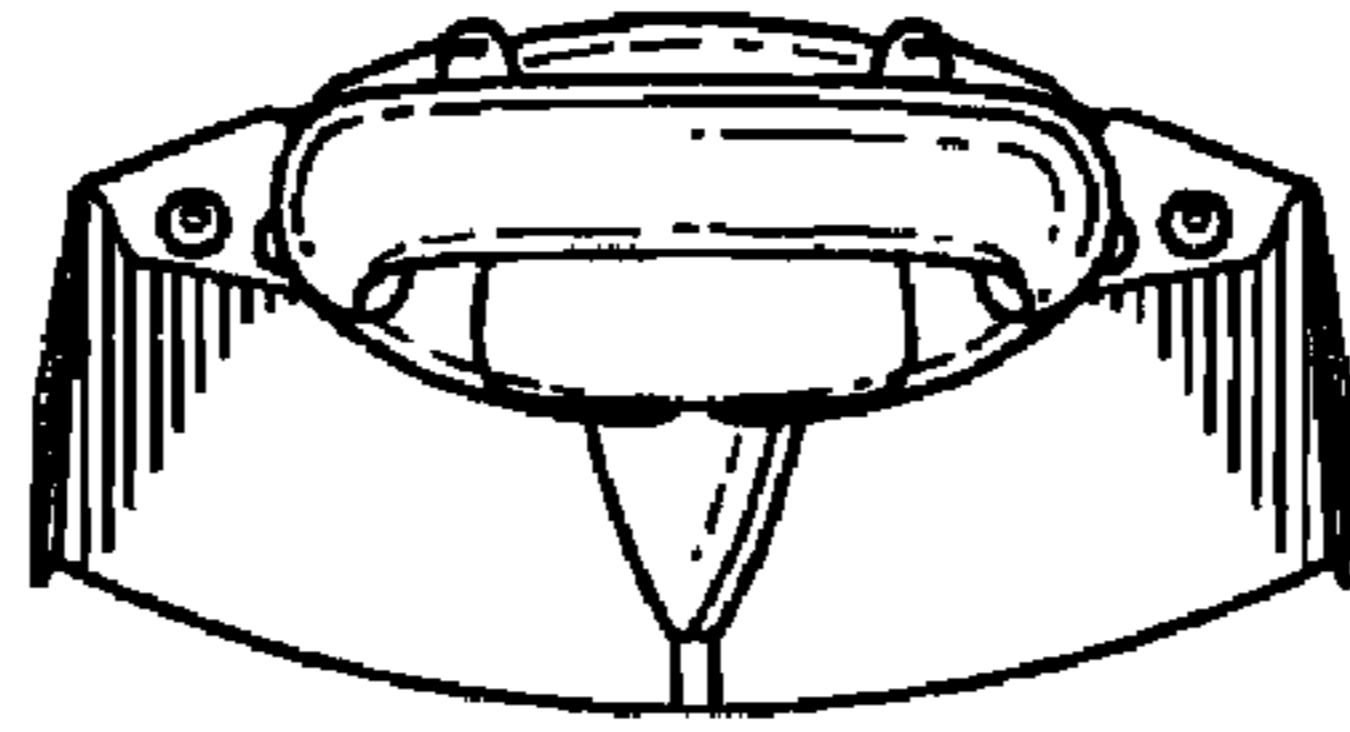


FIG. 10

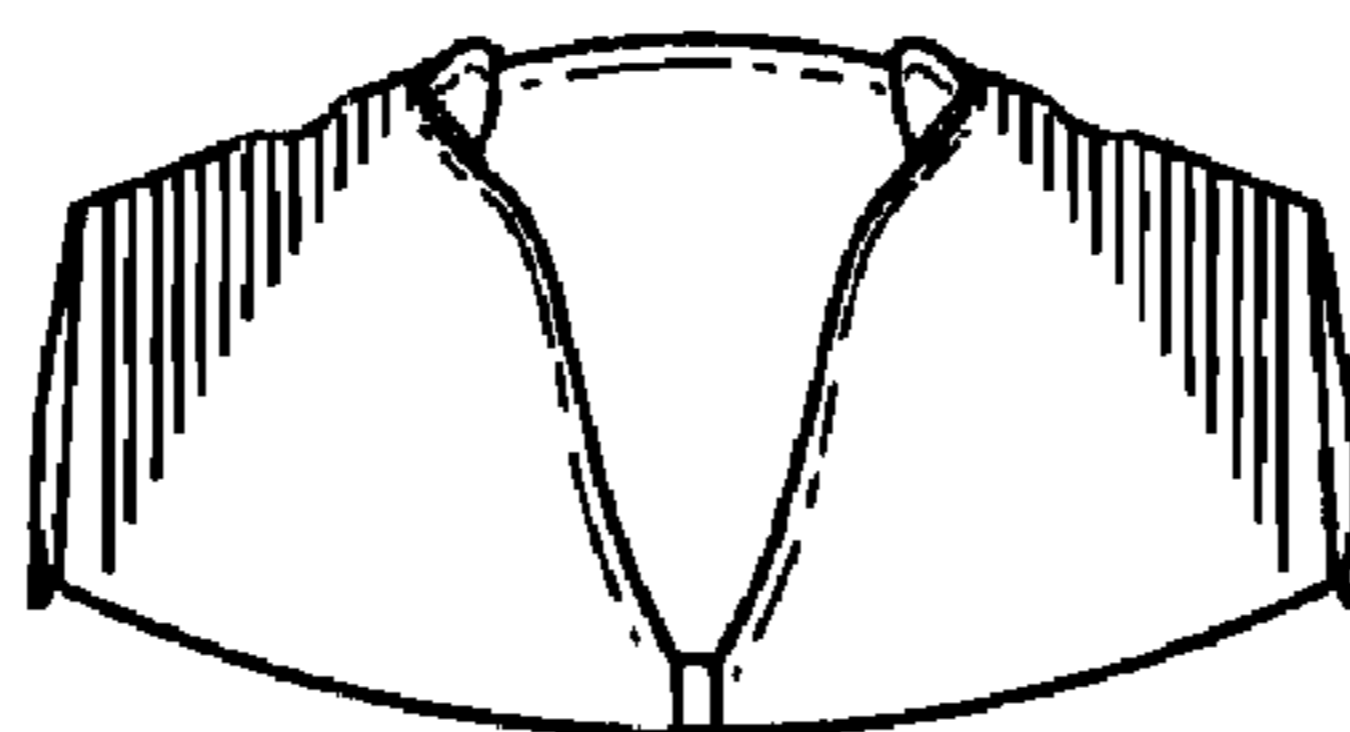


FIG. 11

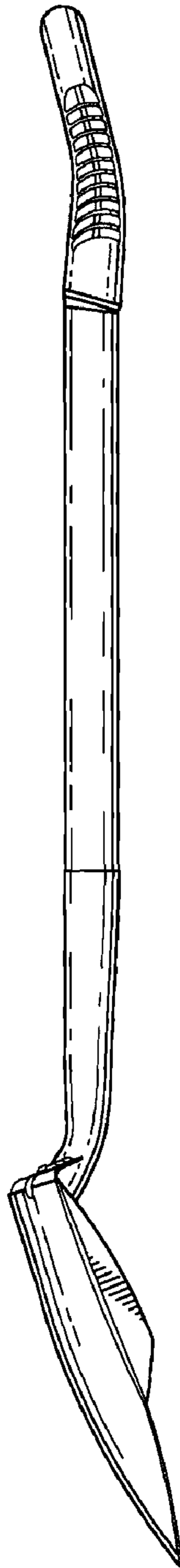


FIG. 12

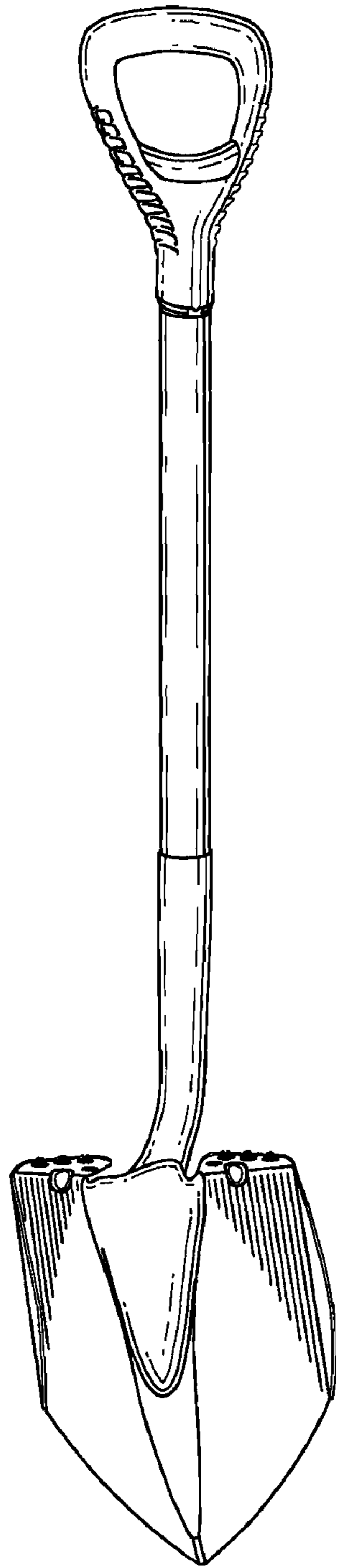


FIG. 13

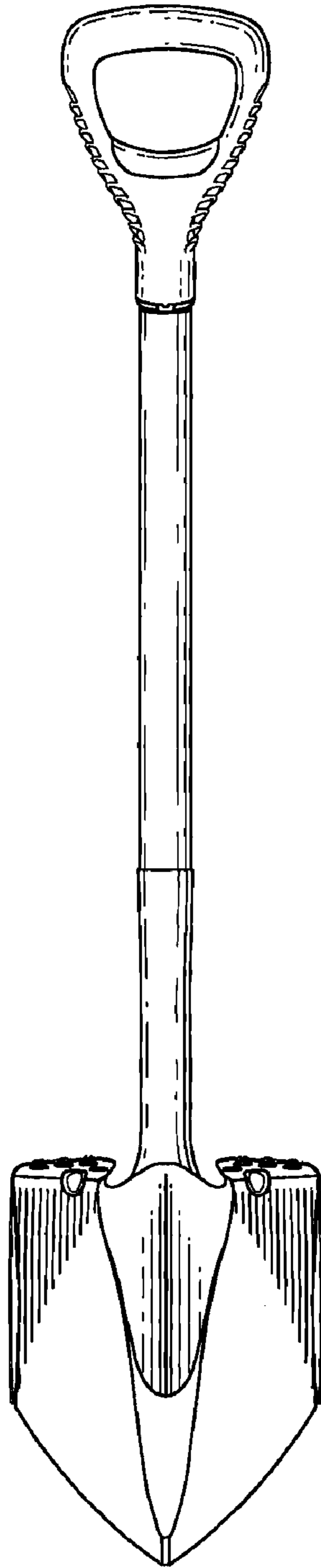


FIG. 14

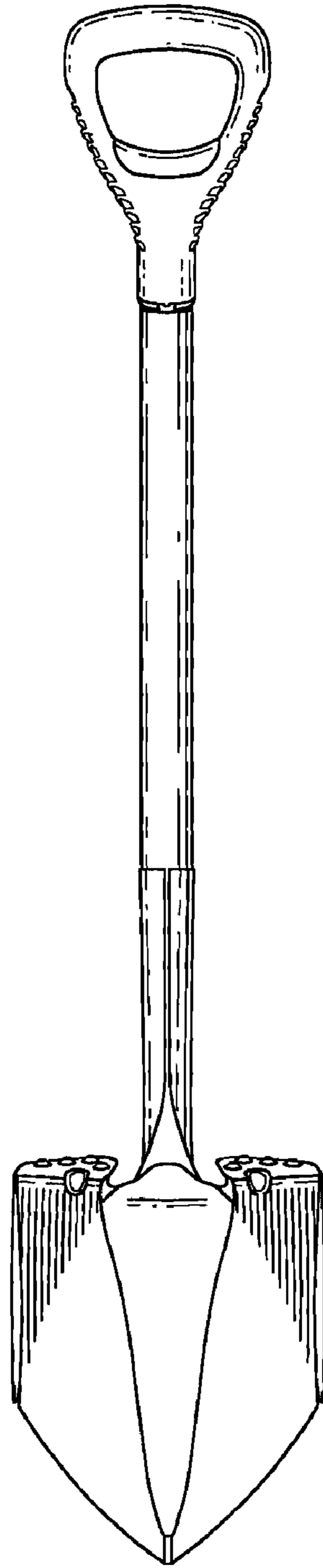


FIG. 15

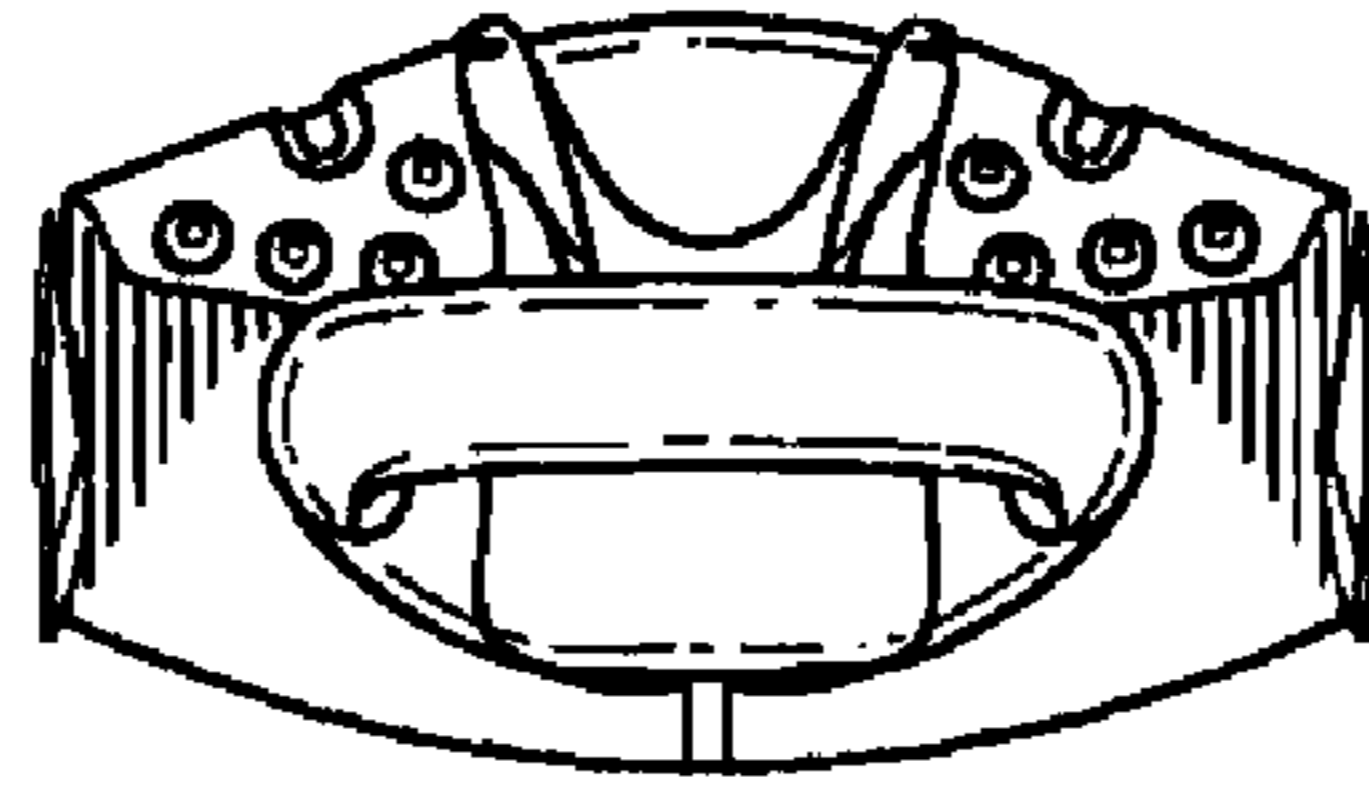


FIG. 16

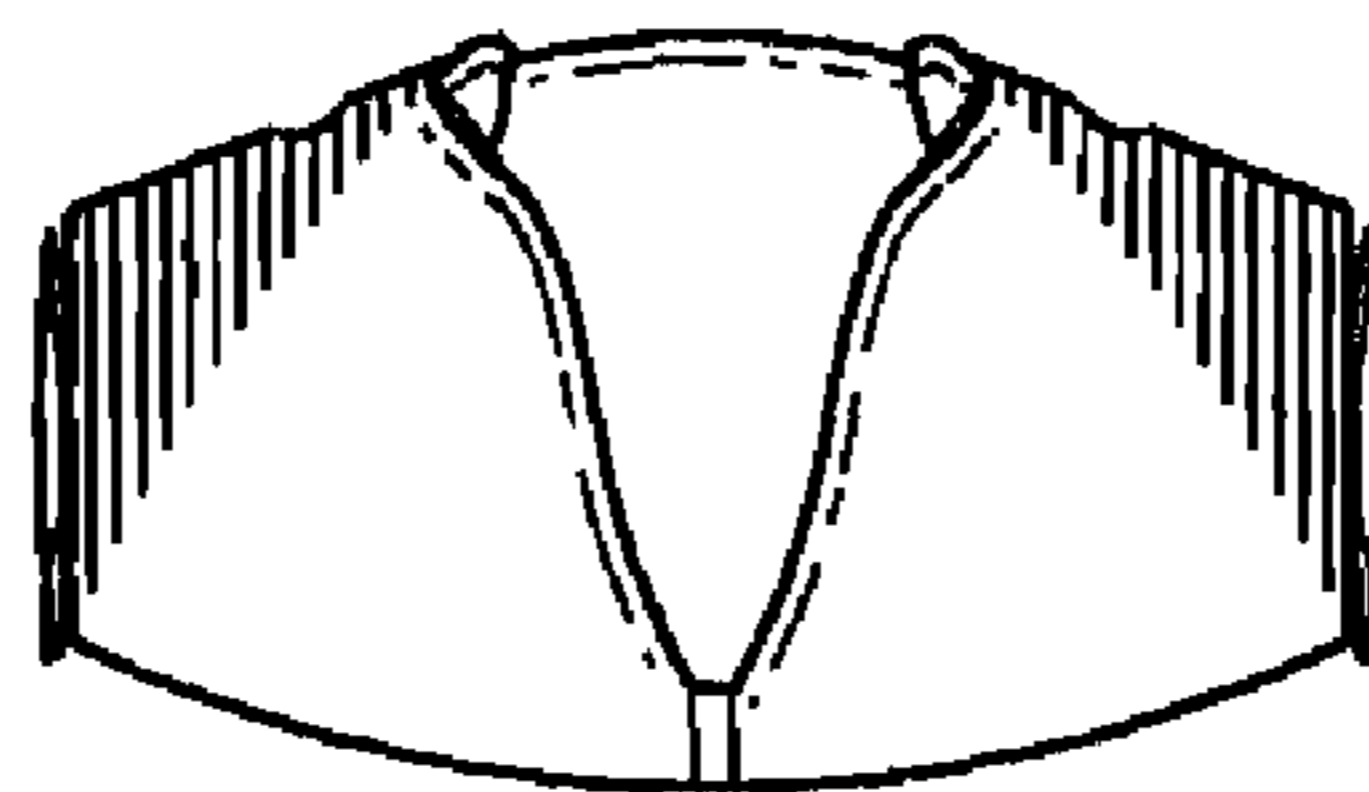


FIG. 17

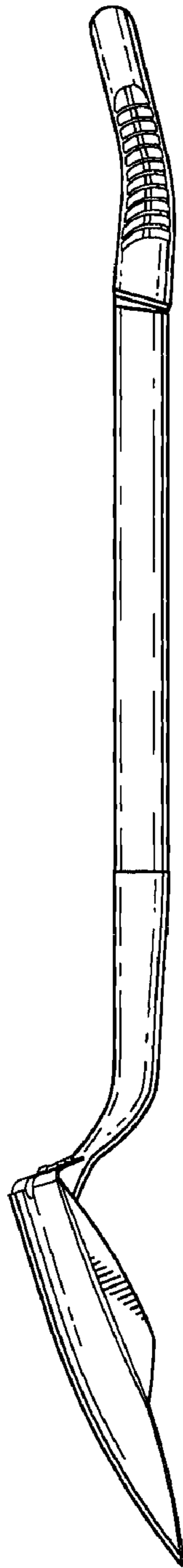


FIG. 18



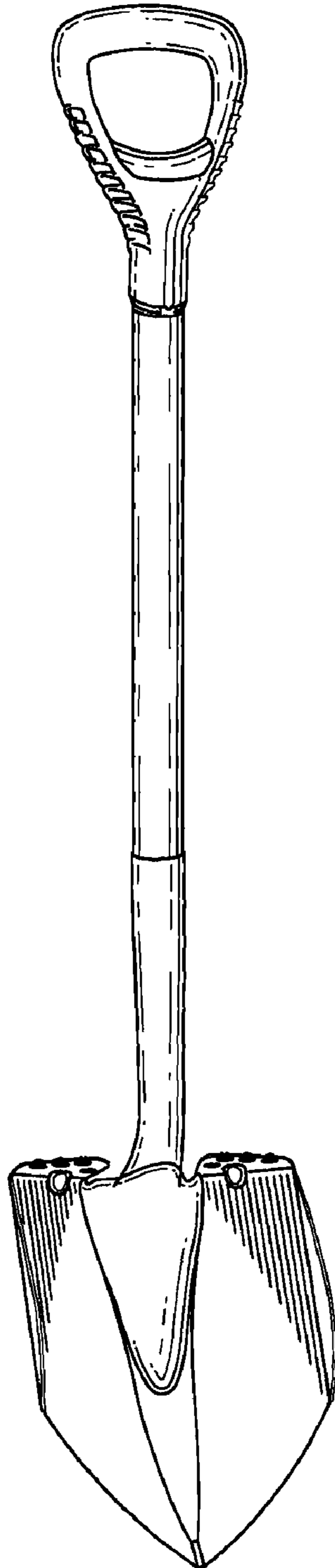


FIG. 19

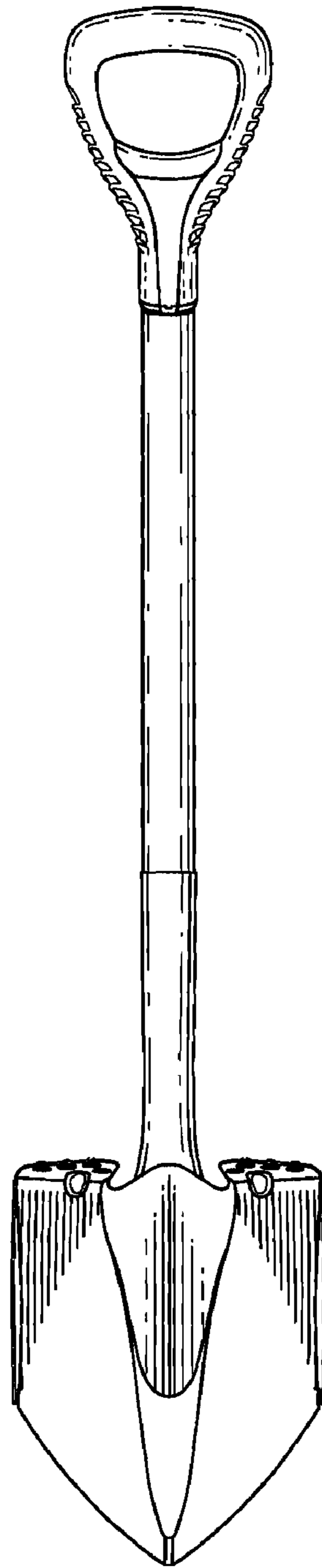


FIG. 20

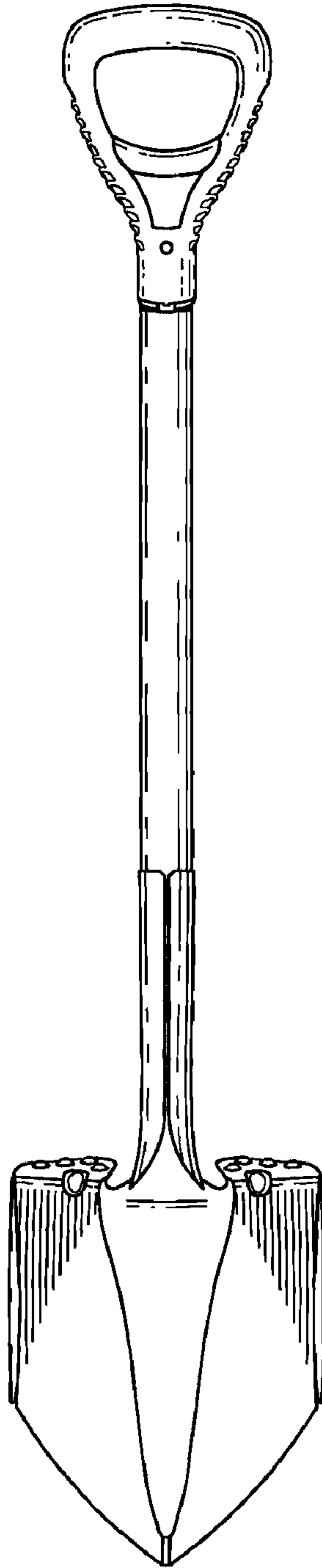


FIG. 21

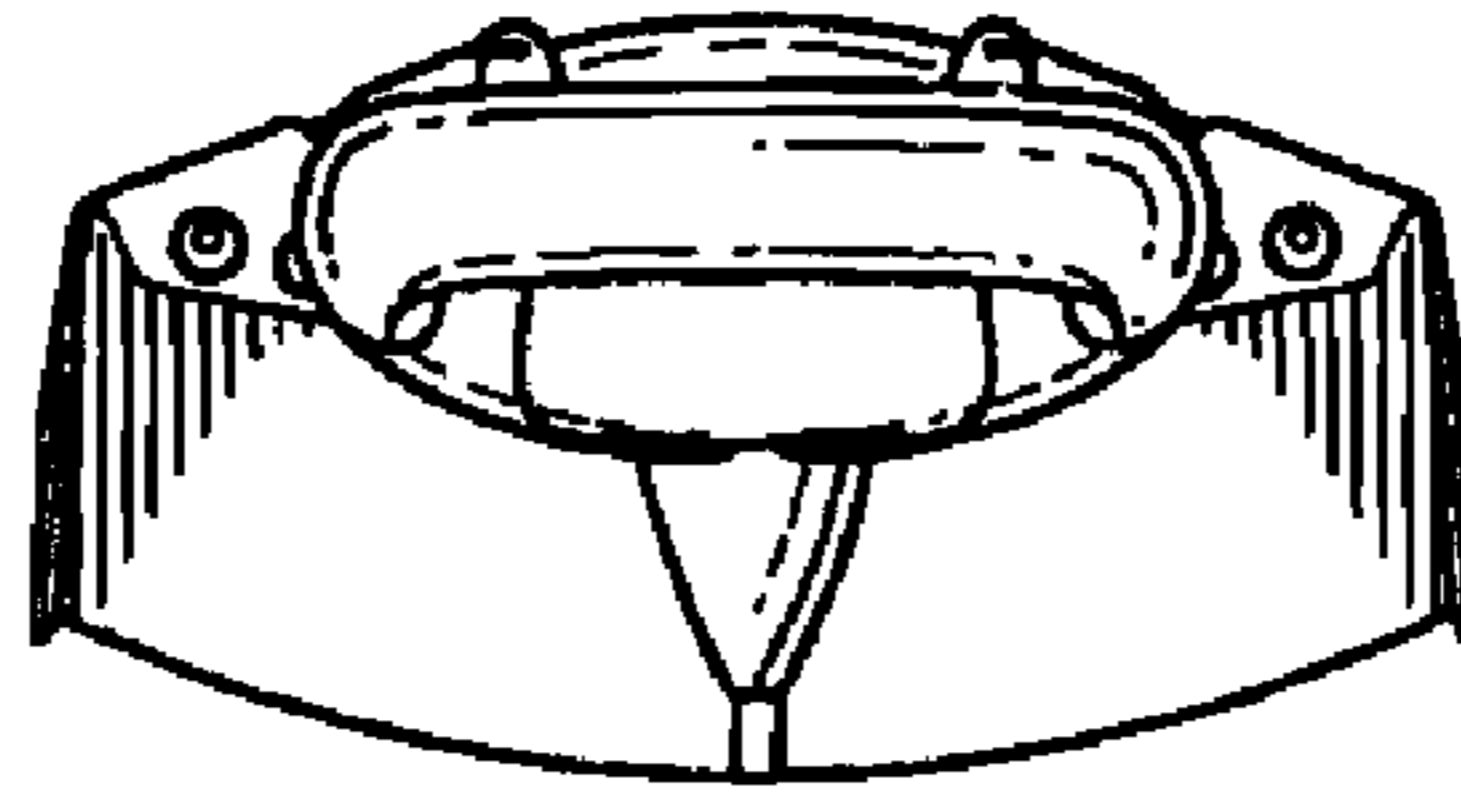


FIG. 22

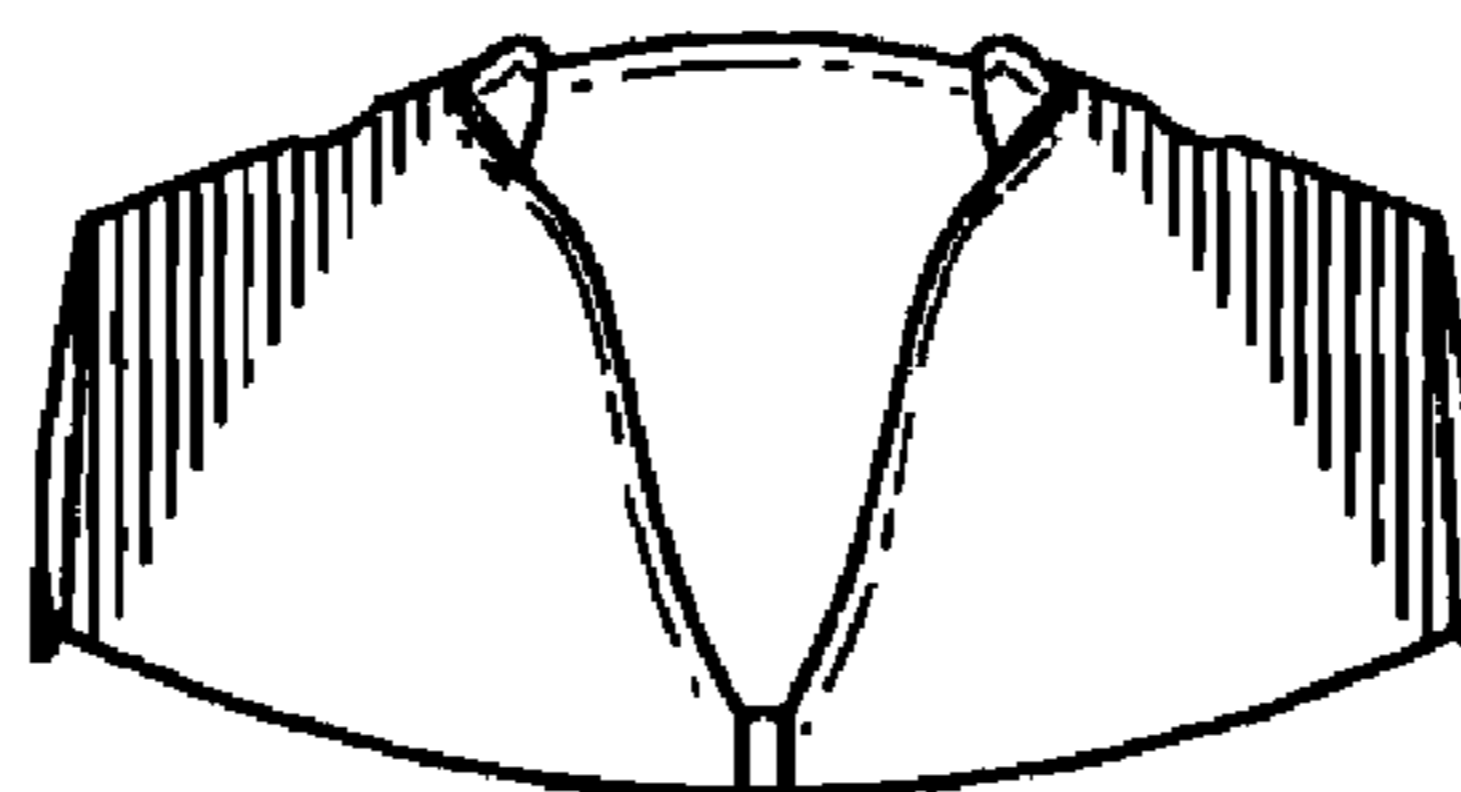


FIG. 23

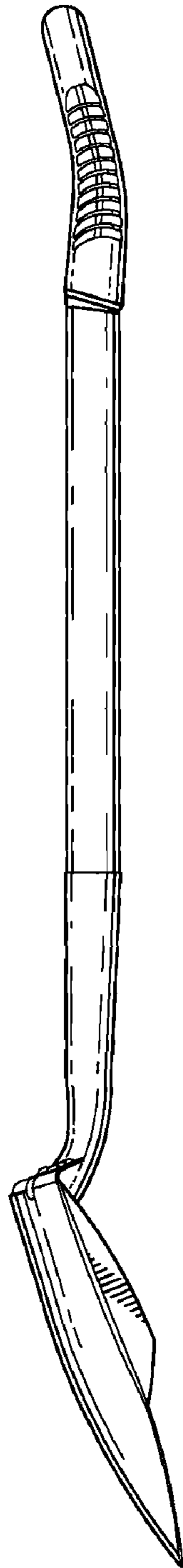


FIG. 24