



US00D606815S

(12) **United States Design Patent**
Gallop et al.

(10) **Patent No.:** **US D606,815 S**

(45) **Date of Patent:** **** Dec. 29, 2009**

(54) **FOOD SERVICE TONGS**

(75) Inventors: **William A Gallop**, Westminster, MA
(US); **Ashish K Mithal**, North
Chelmsford, MA (US)

(73) Assignee: **Waddington North America, Inc.**,
Chelmsford, MA (US)

(**) Term: **14 Years**

(21) Appl. No.: **29/322,890**

(22) Filed: **Aug. 14, 2008**

(51) **LOC (9) Cl.** **07-06**

(52) **U.S. Cl.** **D7/686**

(58) **Field of Classification Search** D7/368,
D7/669, 683, 686, 687; 294/99.1, 99.2, 118
See application file for complete search history.

(56) **References Cited**

U.S. PATENT DOCUMENTS

2,864,645 A * 12/1958 Meldrum 294/106
D189,488 S * 12/1960 Page D7/686
D246,280 S 11/1977 Daenen
4,707,922 A 11/1987 Hosak-Robb
D317,106 S * 5/1991 Kosurko D7/686

D406,734 S * 3/1999 Doherty et al. D7/686
D442,835 S 5/2001 Kaposi
D505,599 S 5/2005 Fiedeler et al.
D531,463 S 11/2006 Jarvis et al.
D592,917 S * 5/2009 Jalet et al. D7/686

* cited by examiner

Primary Examiner—Charles A Rademaker

Assistant Examiner—Dana L Sipos

(74) *Attorney, Agent, or Firm*—Vern Maine & Associates

(57) **CLAIM**

The ornamental design for food service tongs, as shown and described.

DESCRIPTION

FIG. 1 is a top, front, right side perspective view of food service tongs showing our new design;

FIG. 2 is a top plan view thereof;

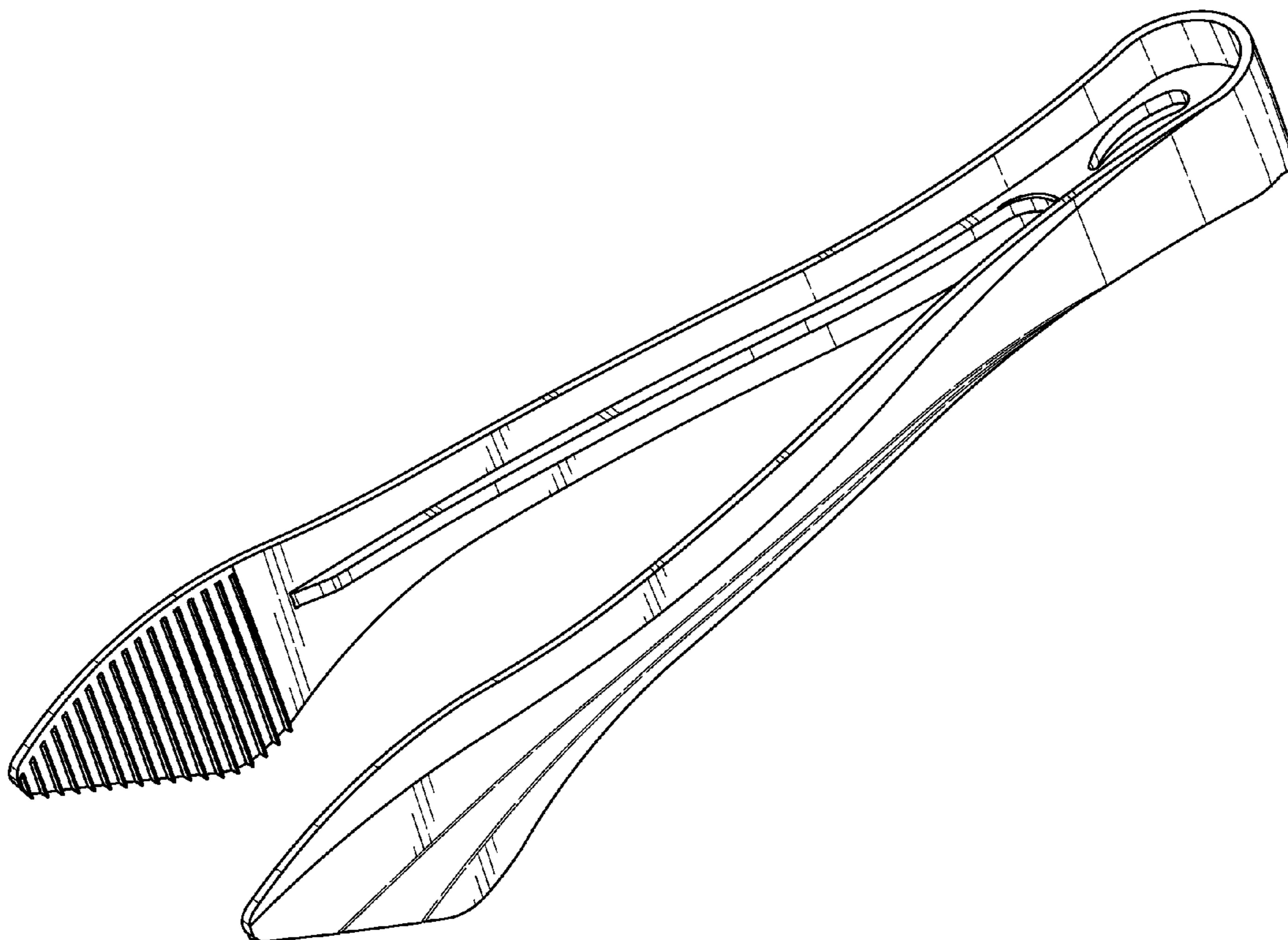
FIG. 3 is a bottom plan view thereof;

FIG. 4 is a right side elevation view thereof;

FIG. 5 is a front elevation view thereof; and,

FIG. 6 is a rear elevation view thereof.

1 Claim, 5 Drawing Sheets



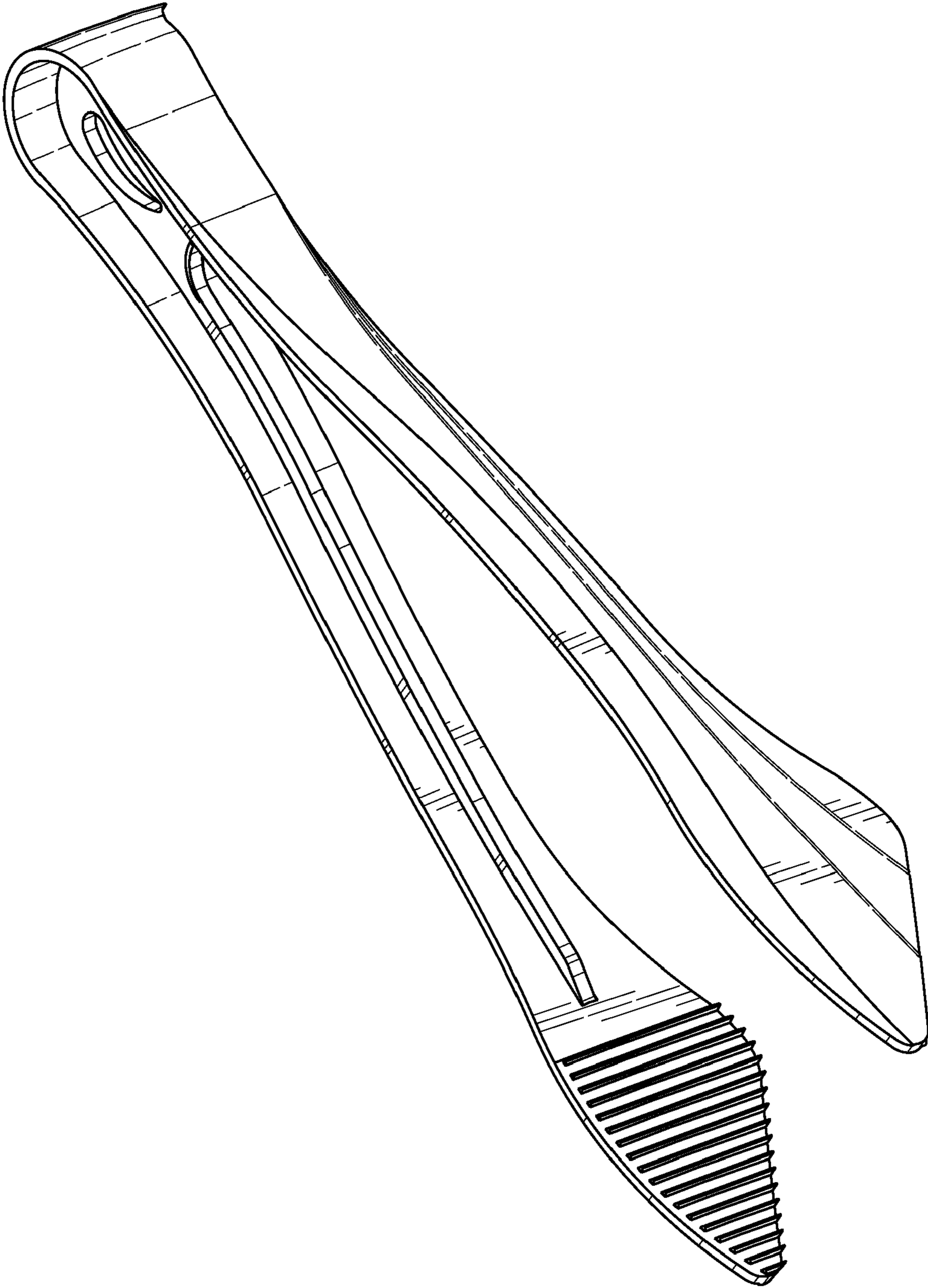


FIG. 1

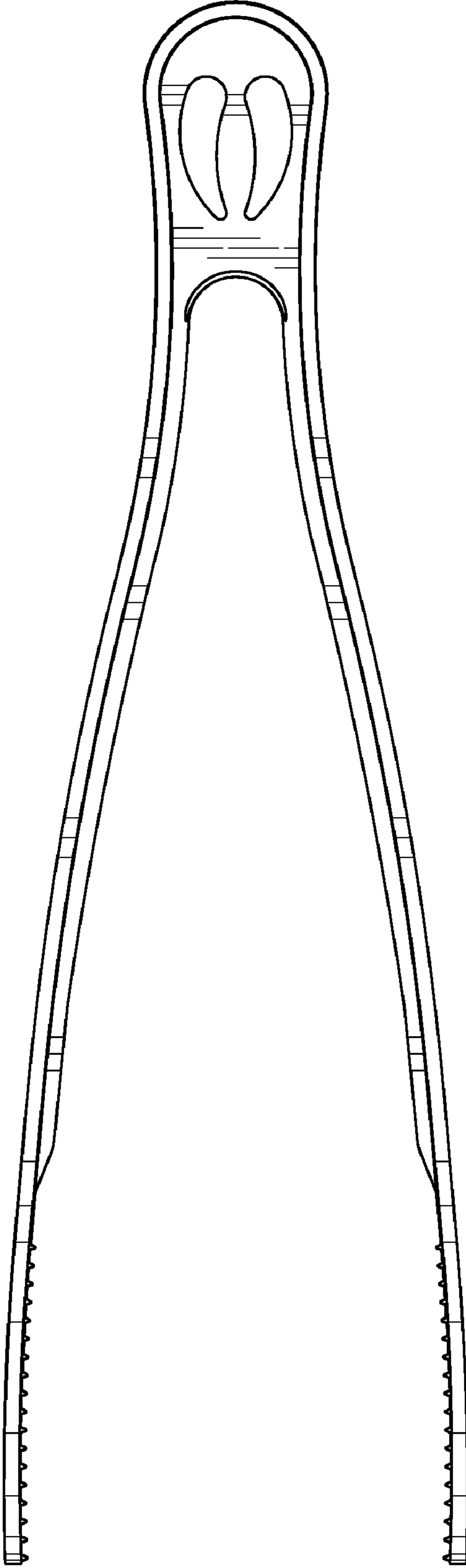


FIG. 2

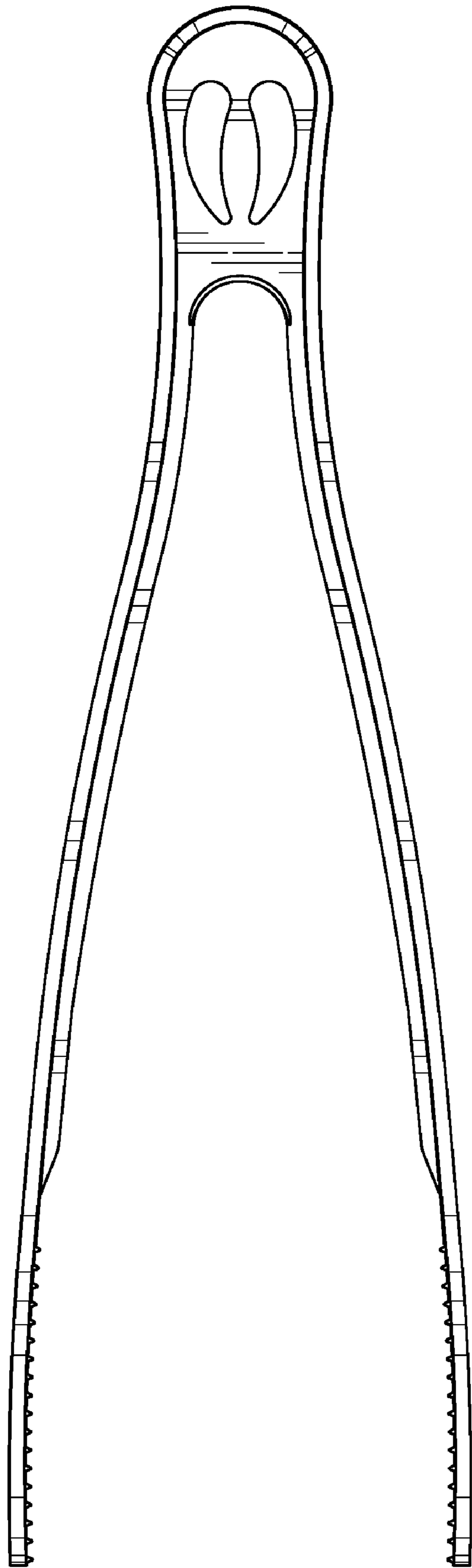


FIG. 3

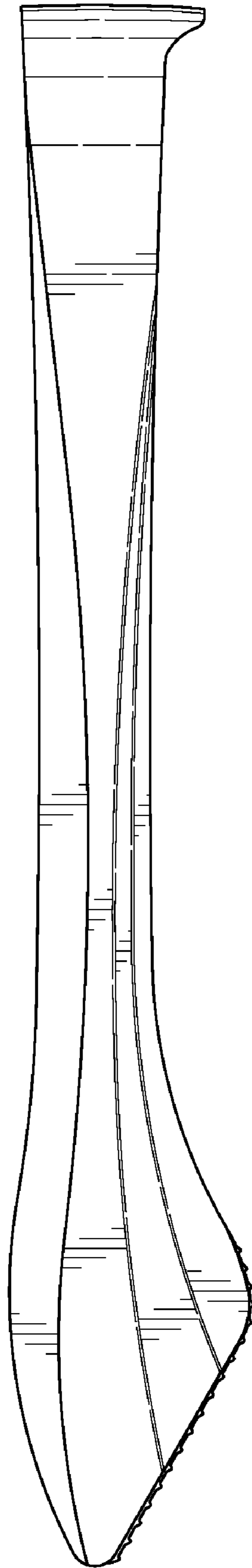


FIG. 4

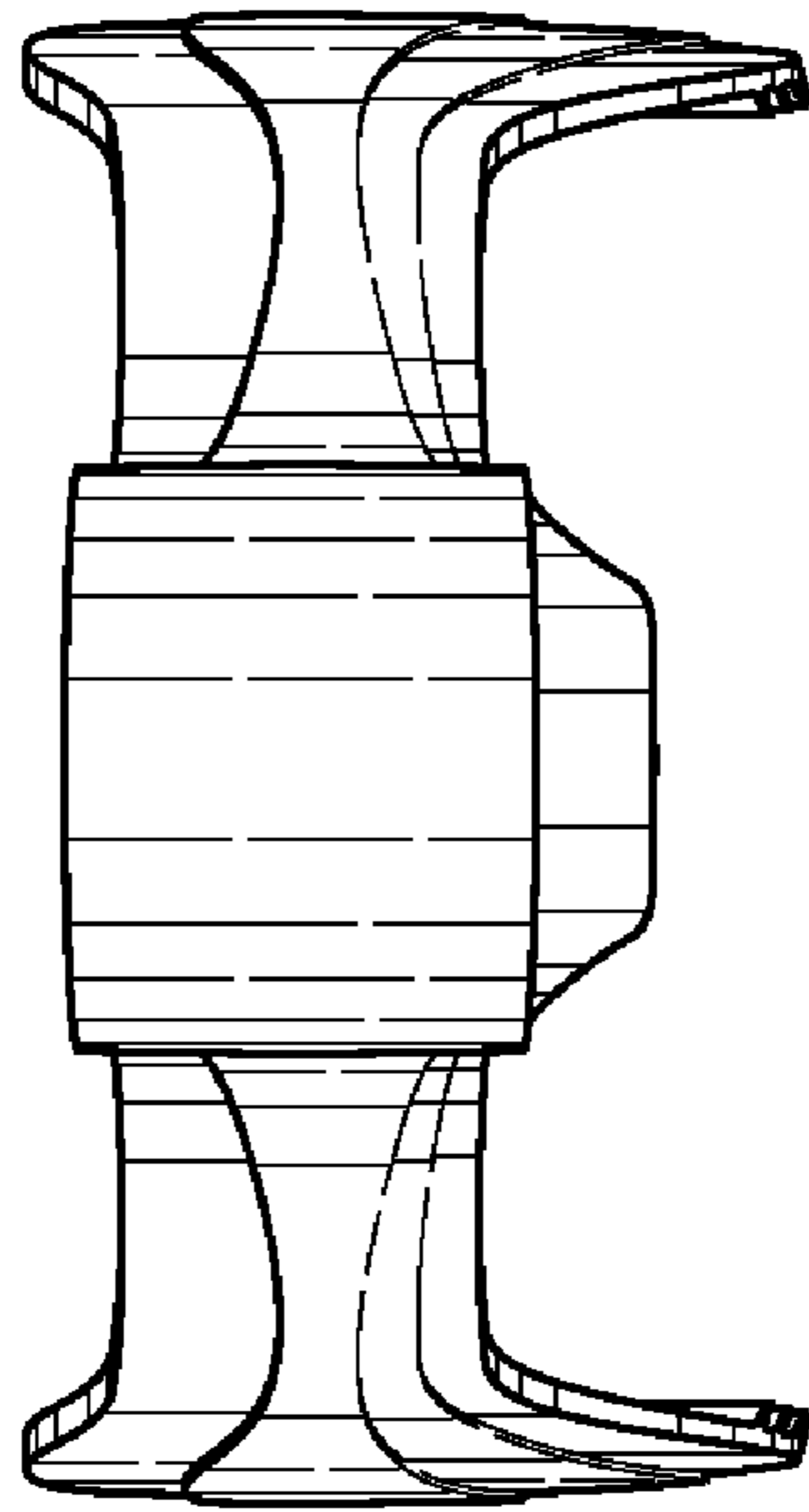


FIG. 6

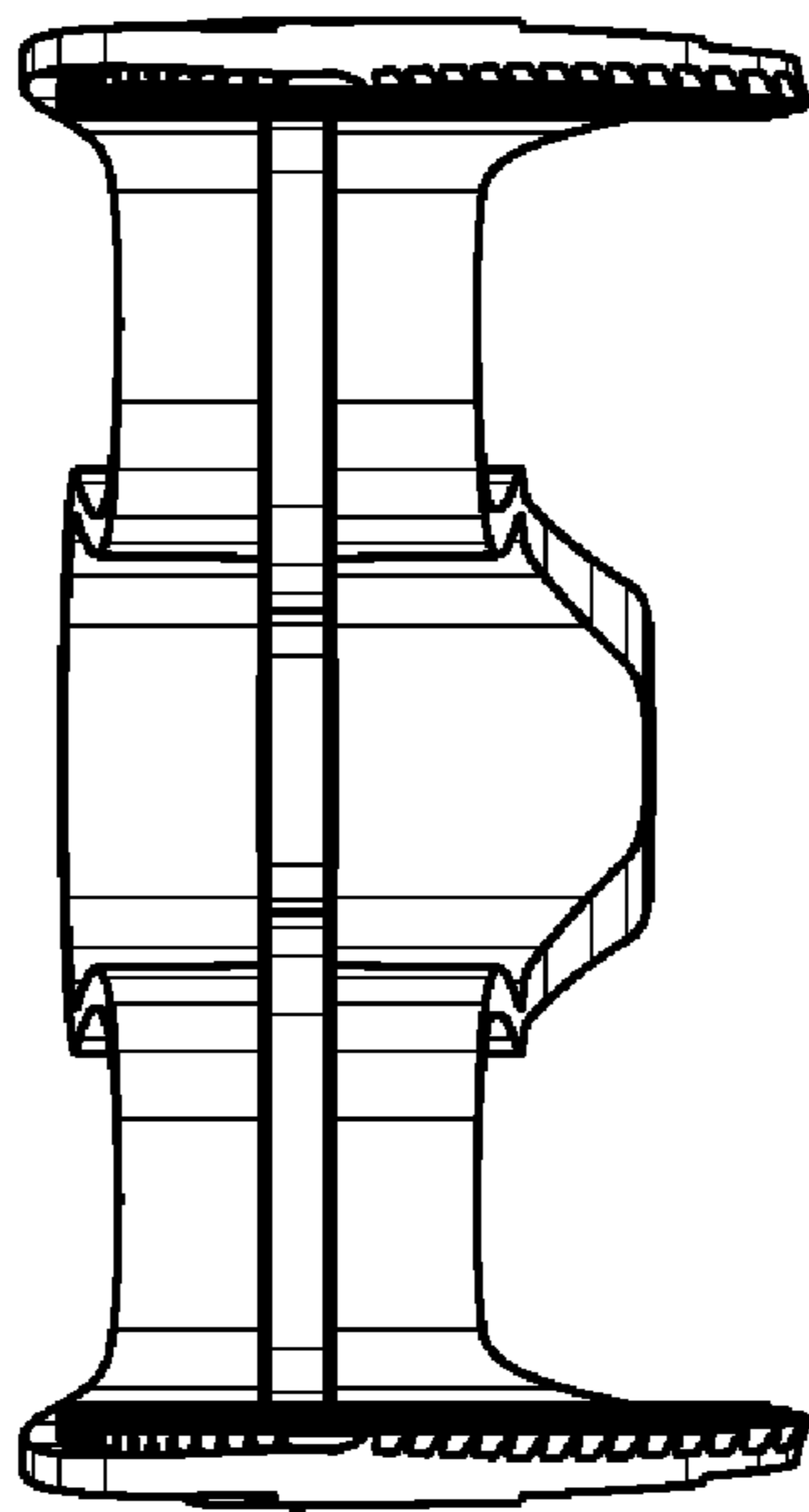


FIG. 5