



US00D606814S

(12) **United States Design Patent**  
**Mineo**

(10) **Patent No.:** **US D606,814 S**

(45) **Date of Patent:** **\*\* Dec. 29, 2009**

(54) **FOOD TONGS**

(75) Inventor: **Kinji Mineo**, Osaka (JP)

(73) Assignee: **Yamato System Company Ltd.**,  
Osaka-shi (JP)

(\*\*) Term: **14 Years**

(21) Appl. No.: **29/300,794**

(22) Filed: **May 14, 2008**

(30) **Foreign Application Priority Data**

Nov. 30, 2007 (JP) ..... 2007-032908

(51) **LOC (9) Cl.** ..... **07-06**

(52) **U.S. Cl.** ..... **D7/686**

(58) **Field of Classification Search** ..... D7/368,  
D7/669, 683, 686, 687; 294/99.1, 99.2, 118  
See application file for complete search history.

(56) **References Cited**

**U.S. PATENT DOCUMENTS**

2,864,645	A *	12/1958	Meldrum	.....	294/106
D189,488	S *	12/1960	Page	.....	D7/686
D317,106	S *	5/1991	Kosurko	.....	D7/686
D406,734	S *	3/1999	Doherty et al.	.....	D7/686
D592,917	S *	5/2009	Jalet et al.	.....	D7/686

**FOREIGN PATENT DOCUMENTS**

JP	D1109609	3/2001
JP	2001-252169	9/2001
JP	D1229238	12/2004
JP	D1229239	12/2004
JP	D1253745	9/2005
JP	D1268848	3/2006
JP	2007-020725	2/2007

\* cited by examiner

*Primary Examiner*—Charles A Rademaker

*Assistant Examiner*—Dana L Sipos

(74) *Attorney, Agent, or Firm*—Edwards Angell Palmer & Dodge LLP

(57) **CLAIM**

The ornamental design for a food tongs, as shown and described.

**DESCRIPTION**

FIG. 1 is a top, front, right side perspective view of food tongs showing my new design;

FIG. 2 is a right side elevation view thereof, the left side elevation view being a mirror image;

FIG. 3 is a top plan view thereof, the bottom plan view being identical;

FIG. 4 is a rear elevation view thereof;

FIG. 5 is a front elevation view thereof; and

FIG. 6 is a cross-section view taken along the line 6—6 in FIG. 4;

FIG. 7 is a top, front, right side perspective view of the tongs shown in use;

FIG. 8 is a cross-section view taken along line 8—8 in FIG. 3;

FIG. 9 is a cross-section view taken along line 9—9 in FIG. 3;

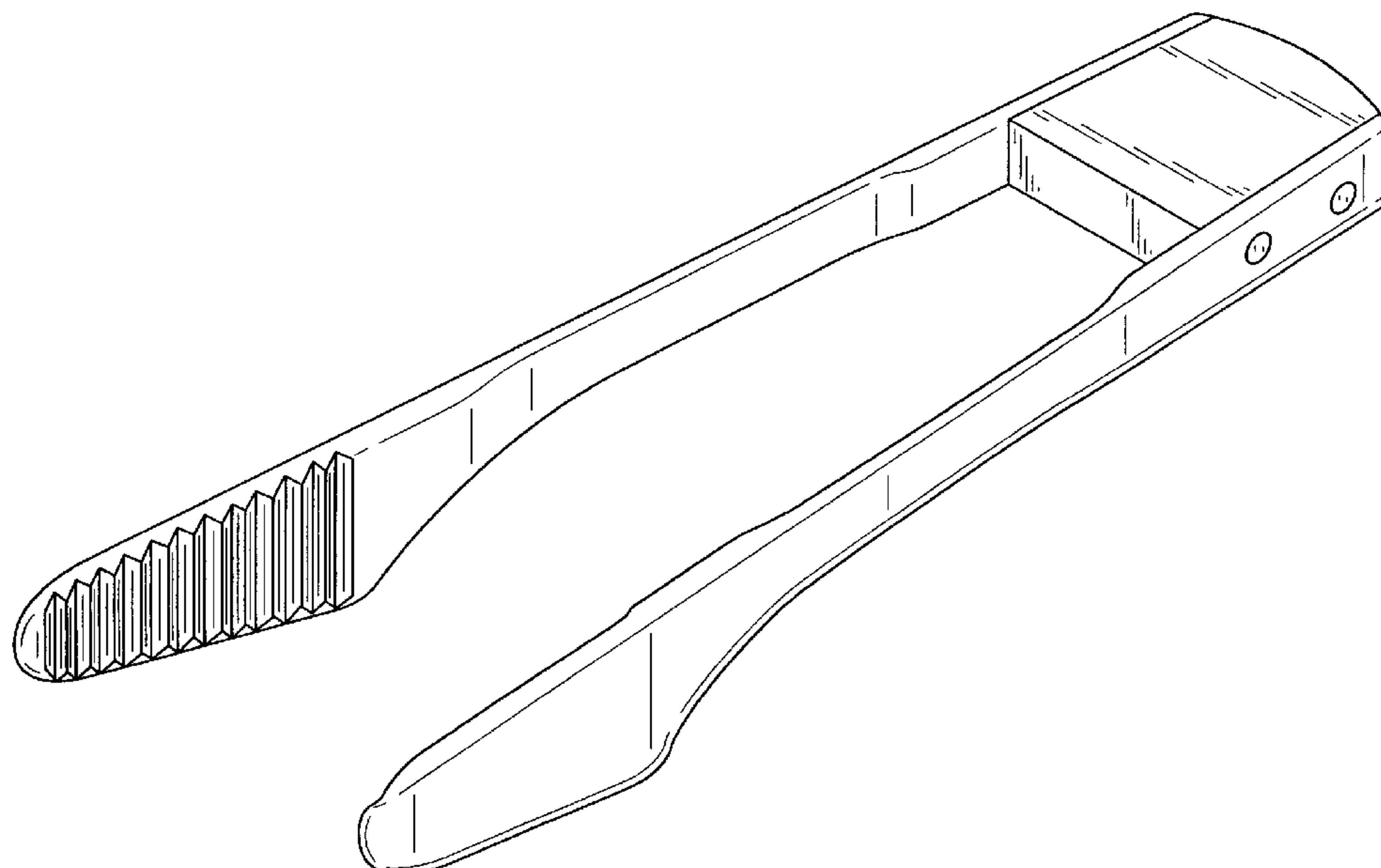
FIG. 10 is a cross-section view taken along line 10—10 in FIG. 3;

FIG. 11 is a cross-section view taken along line 11—11 in FIG. 3;

FIG. 12 is a cross-section view taken along line 12—12 in FIG. 3; and,

FIG. 13 is a cross-section view taken along line 13—13 in FIG. 3.

**1 Claim, 6 Drawing Sheets**



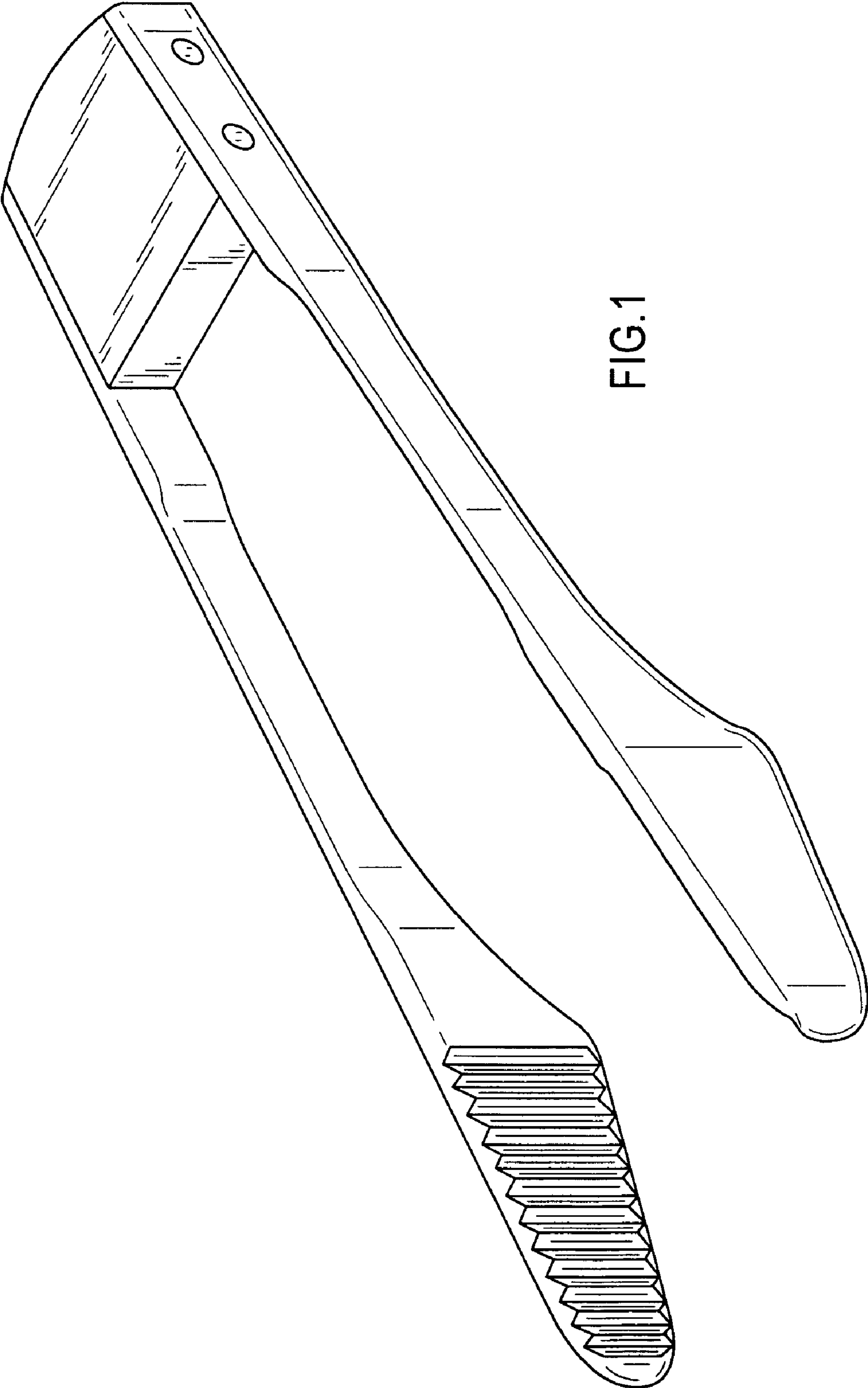


FIG. 1

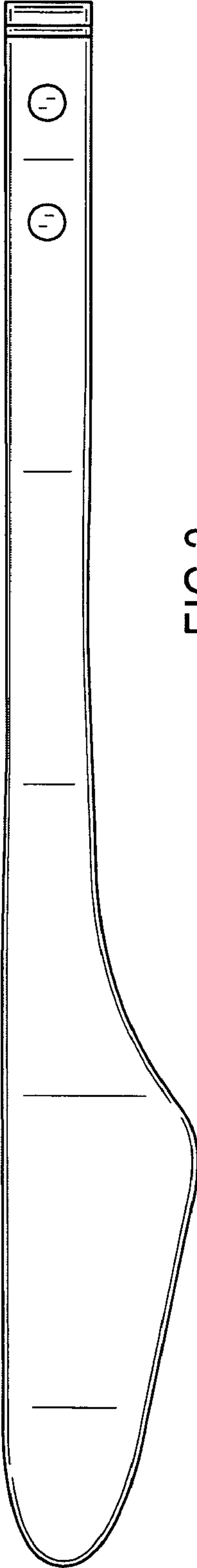


FIG. 2

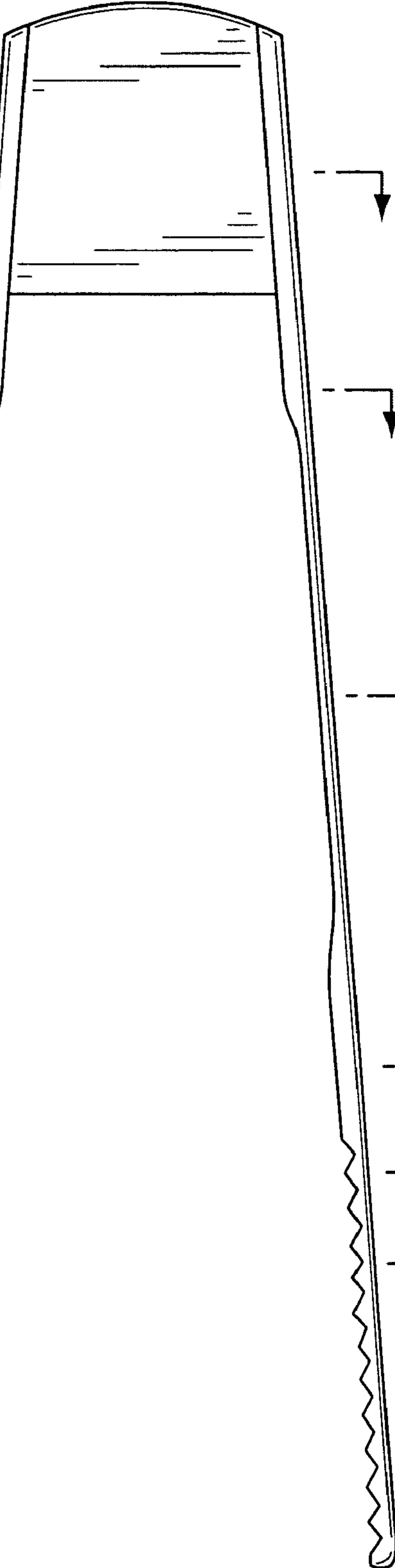
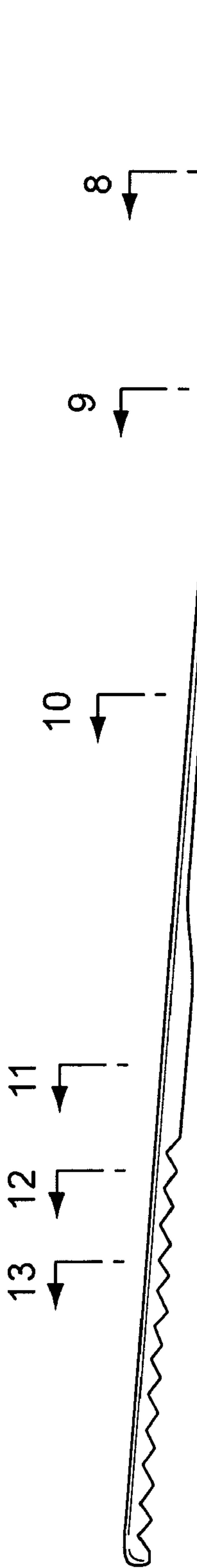


FIG. 3

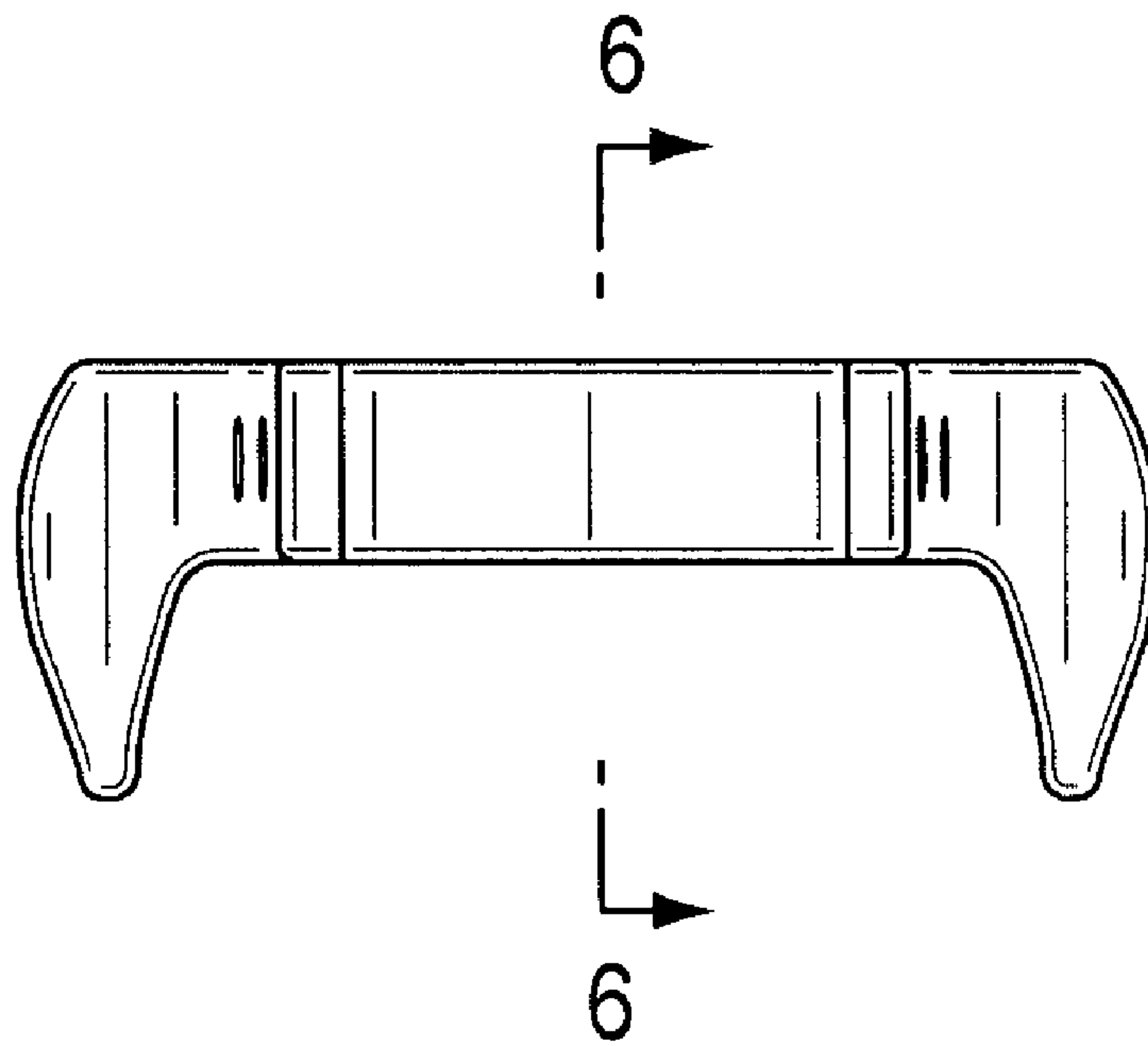


FIG.4

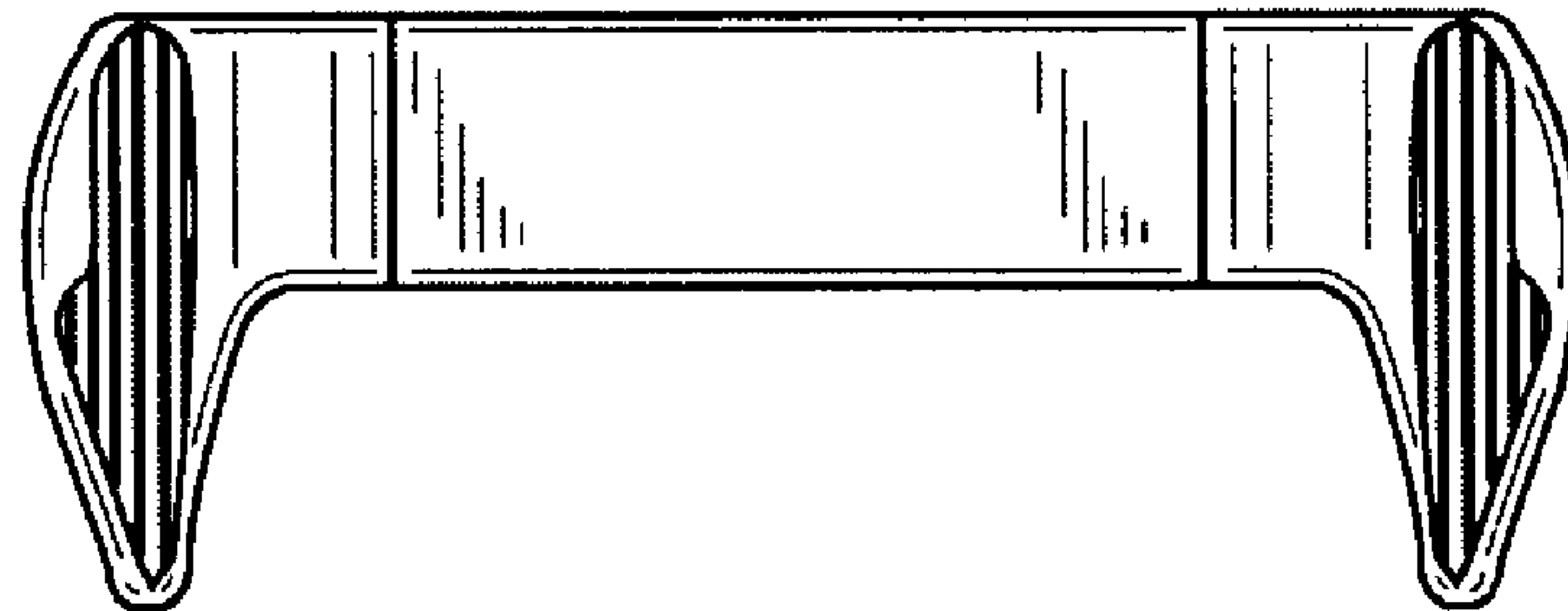


FIG.5

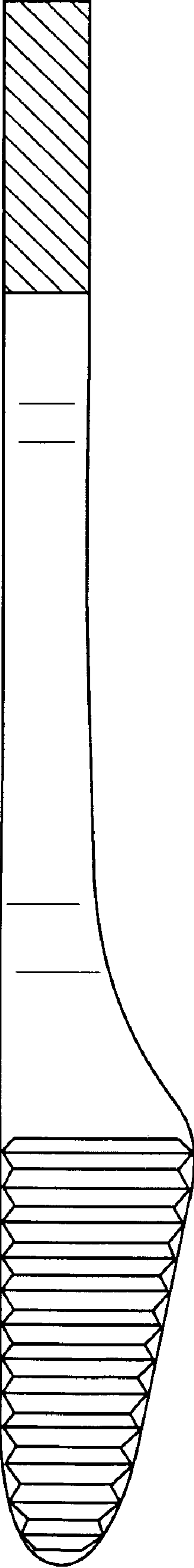


FIG.6

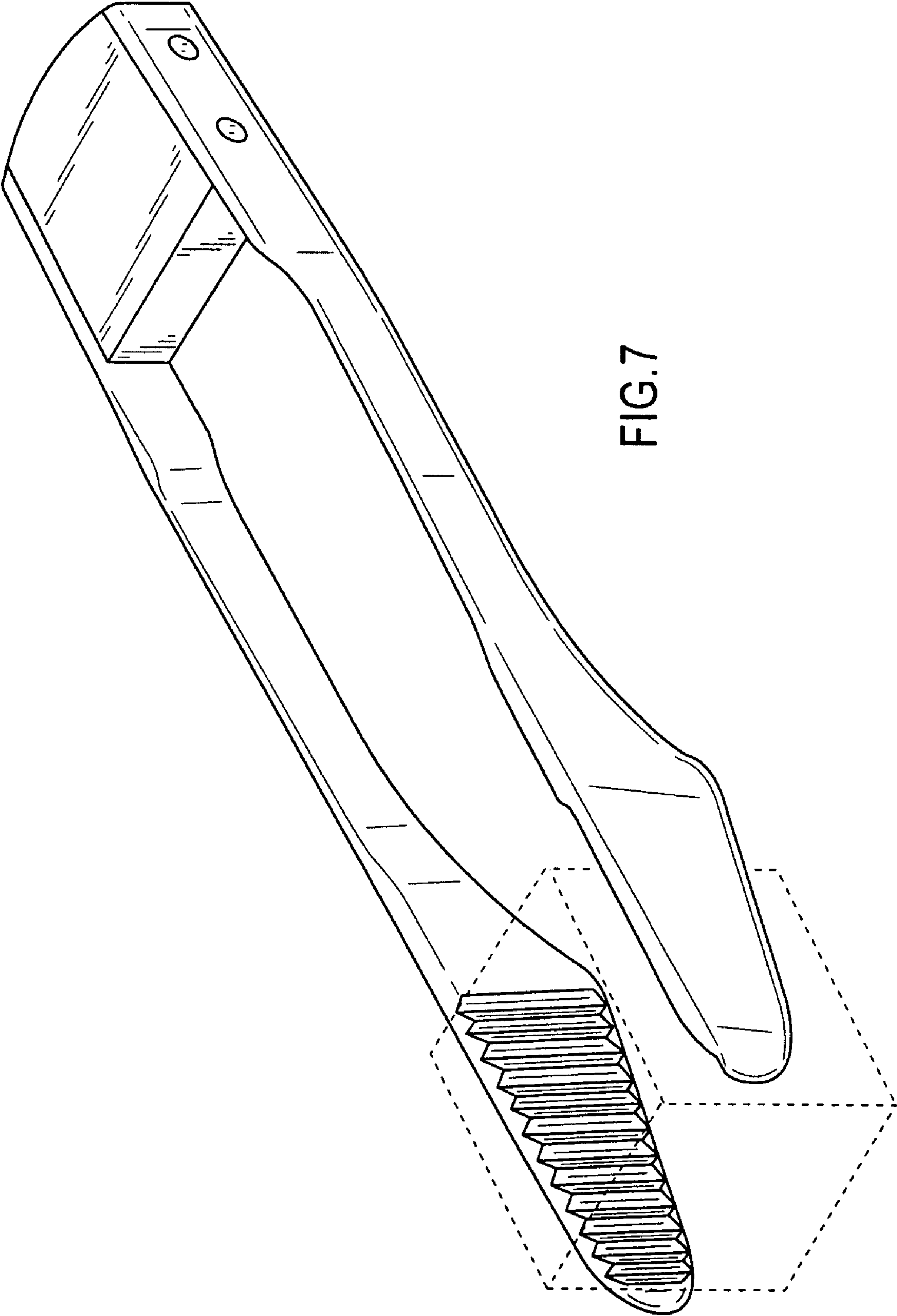


FIG. 7



FIG.8

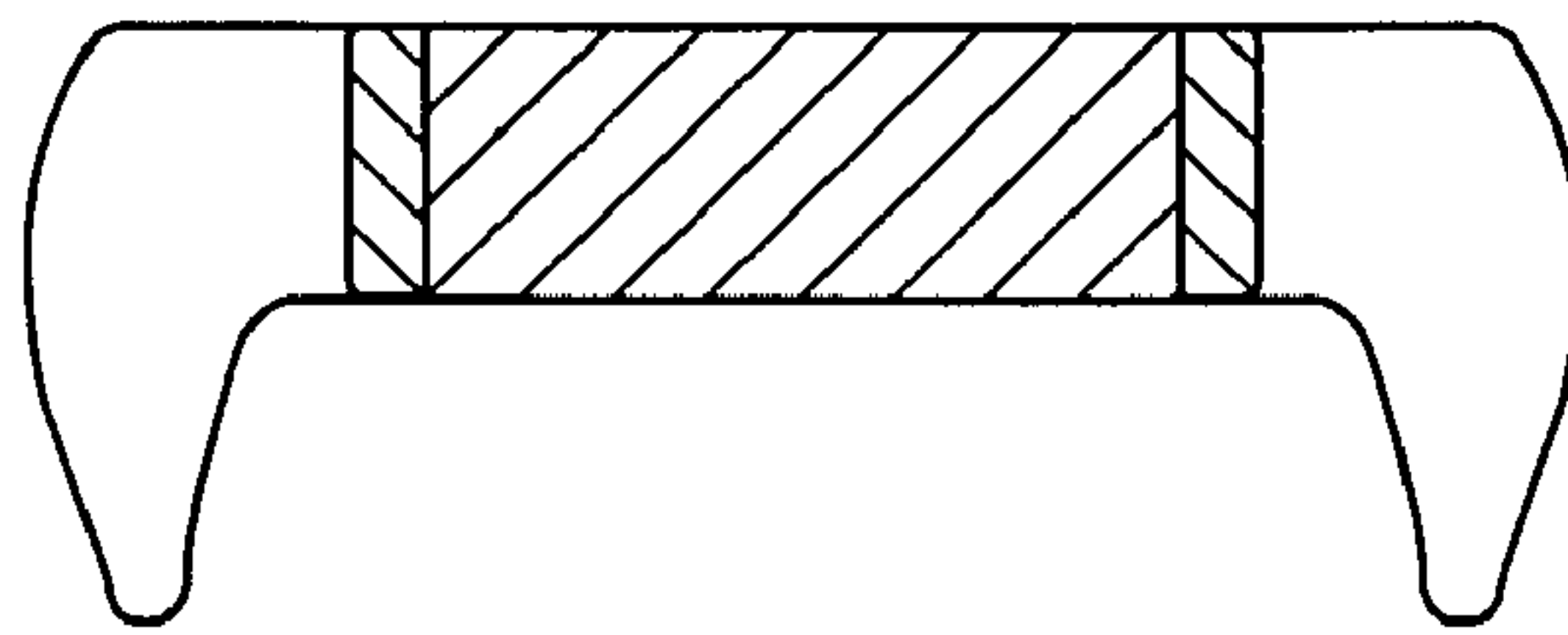


FIG.9



FIG.10



FIG.11



FIG.12

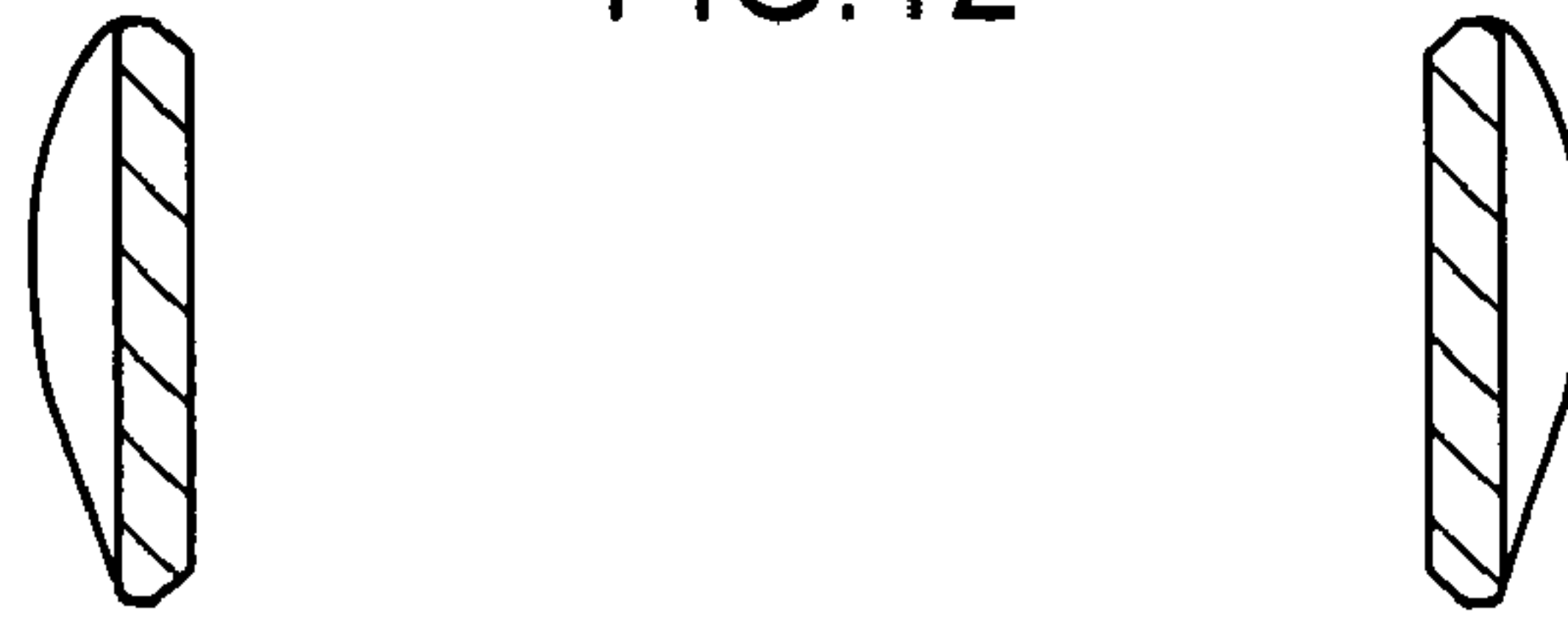


FIG.13

