

US00D606813S

(12) **United States Design Patent**
Kim

(10) **Patent No.:** **US D606,813 S**

(45) **Date of Patent:** **** Dec. 29, 2009**

(54) **FOOD CONTAINER**

(75) Inventor: **Kwang-Tae Kim**, Seoul (KR)

(73) Assignee: **Sam Kwang Glass Ind. Co. Ltd.** (KR)

(**) Term: **14 Years**

(21) Appl. No.: **29/335,057**

(22) Filed: **Apr. 8, 2009**

(30) **Foreign Application Priority Data**

Mar. 18, 2009 (KR) 30-2009-0011486

(51) **LOC (9) Cl.** **07-07**

(52) **U.S. Cl.** **D7/629**

(58) **Field of Classification Search** D7/601,
D7/602, 629, 538-542; D9/424-432; 220/574-575,
220/780-806

See application file for complete search history.

(56) **References Cited**

U.S. PATENT DOCUMENTS

- D476,861 S * 7/2003 Zettle et al. D7/629
- D488,031 S * 4/2004 Kim D7/629
- D523,296 S * 6/2006 Kim D7/629

- D524,119 S * 7/2006 Kim D7/629
- D537,300 S * 2/2007 Kim D7/629
- D545,137 S * 6/2007 Furlong et al. D7/629
- D575,115 S * 8/2008 Zimmerman D7/629
- D582,218 S * 12/2008 Curtin D7/629
- D584,110 S * 1/2009 Hauser D7/629
- 2005/0127074 A1 * 6/2005 Kusuma et al. 220/6

* cited by examiner

Primary Examiner—Terry A Wallace

(74) *Attorney, Agent, or Firm*—Rader, Fishman & Grauer PLLC

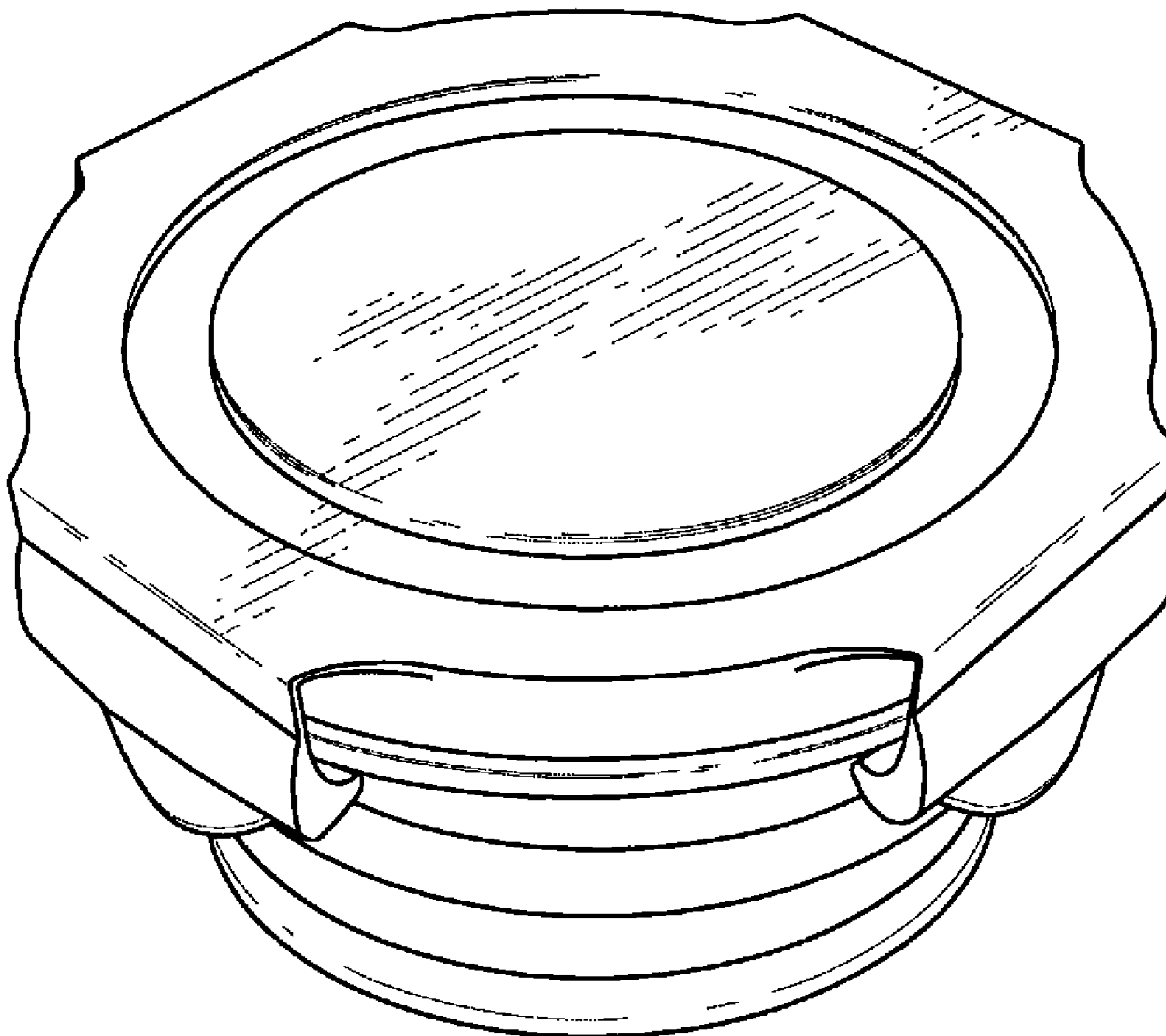
(57) **CLAIM**

The ornamental design for food container, as shown and described.

DESCRIPTION

FIG. 1 is a perspective view of a food container;
 FIG. 2 is a top view of a food container;
 FIG. 3 is a bottom view of a food container;
 FIG. 4 is a side view of a food container; and,
 FIG. 5 is a cross section view taken through FIG. 2 of a food container.

1 Claim, 3 Drawing Sheets



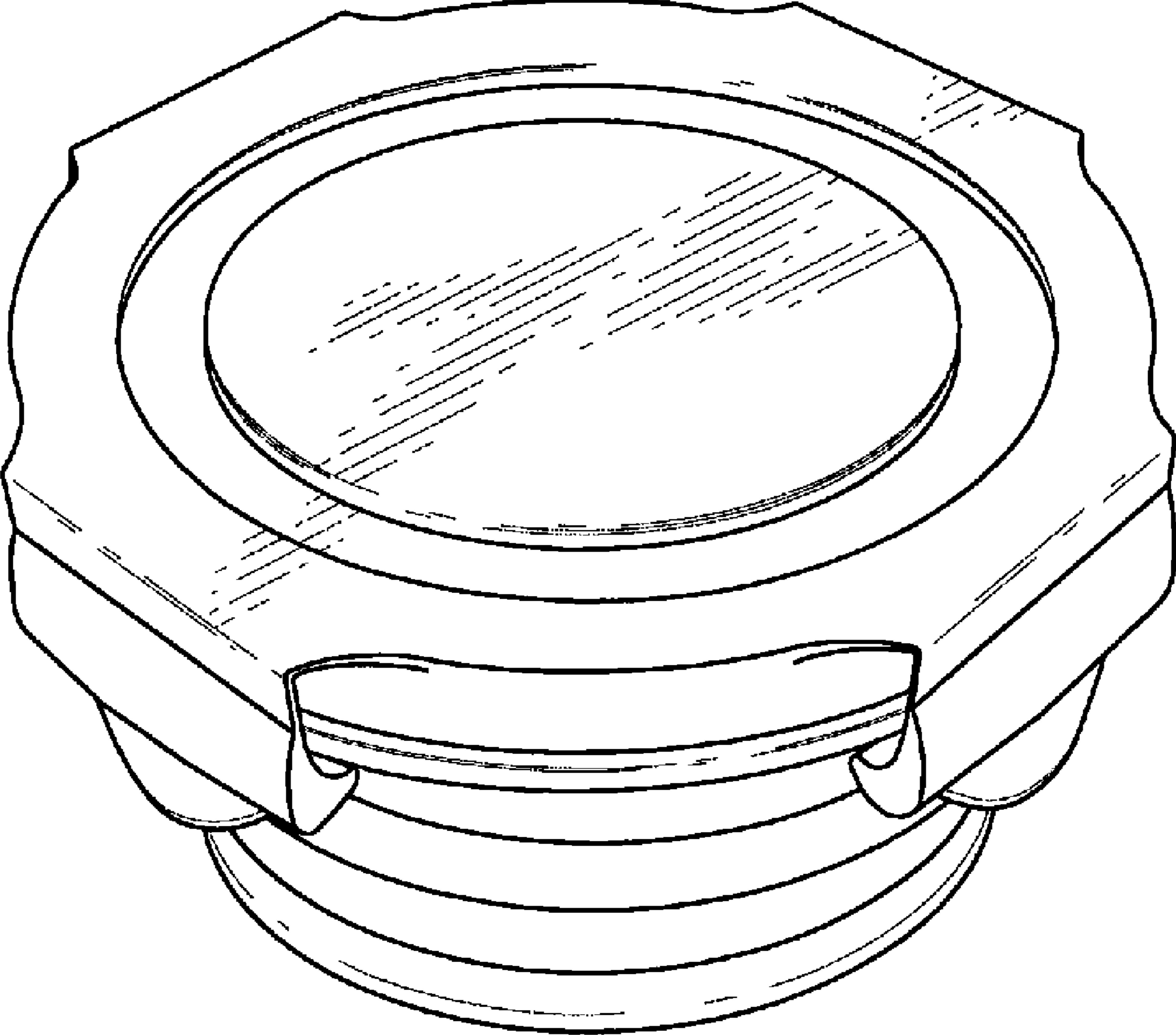


FIG. 1

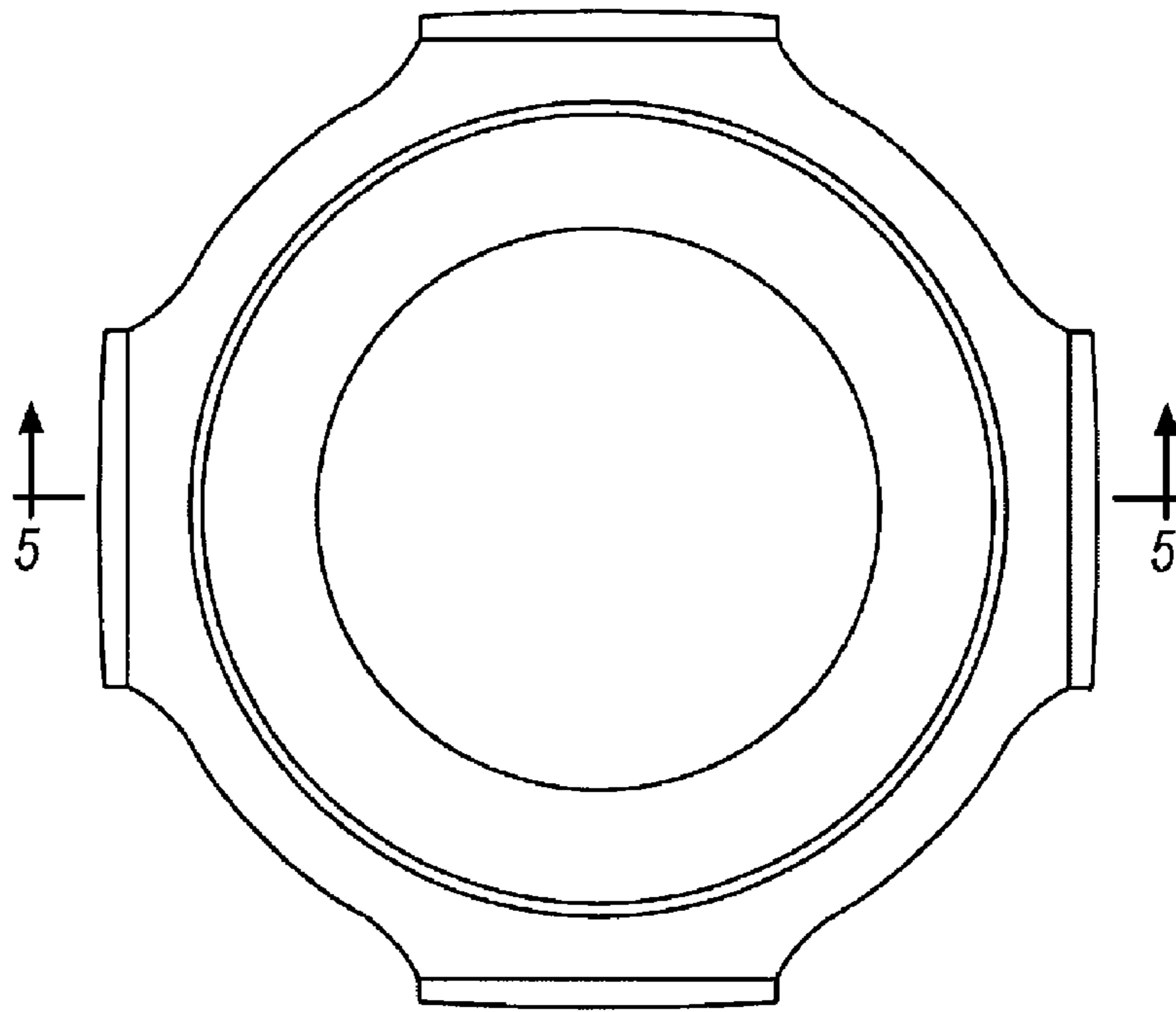


FIG. 2

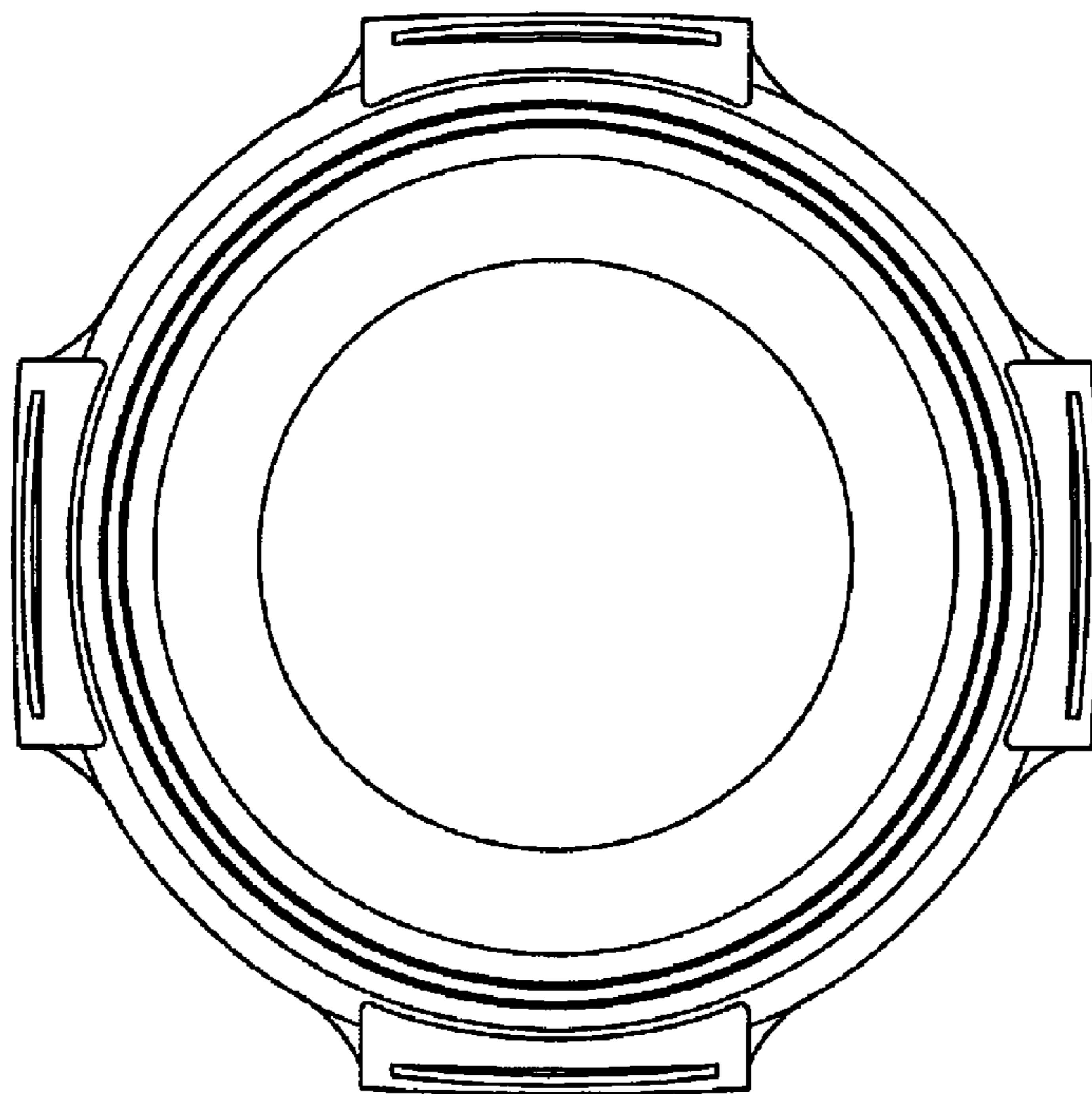


FIG. 3

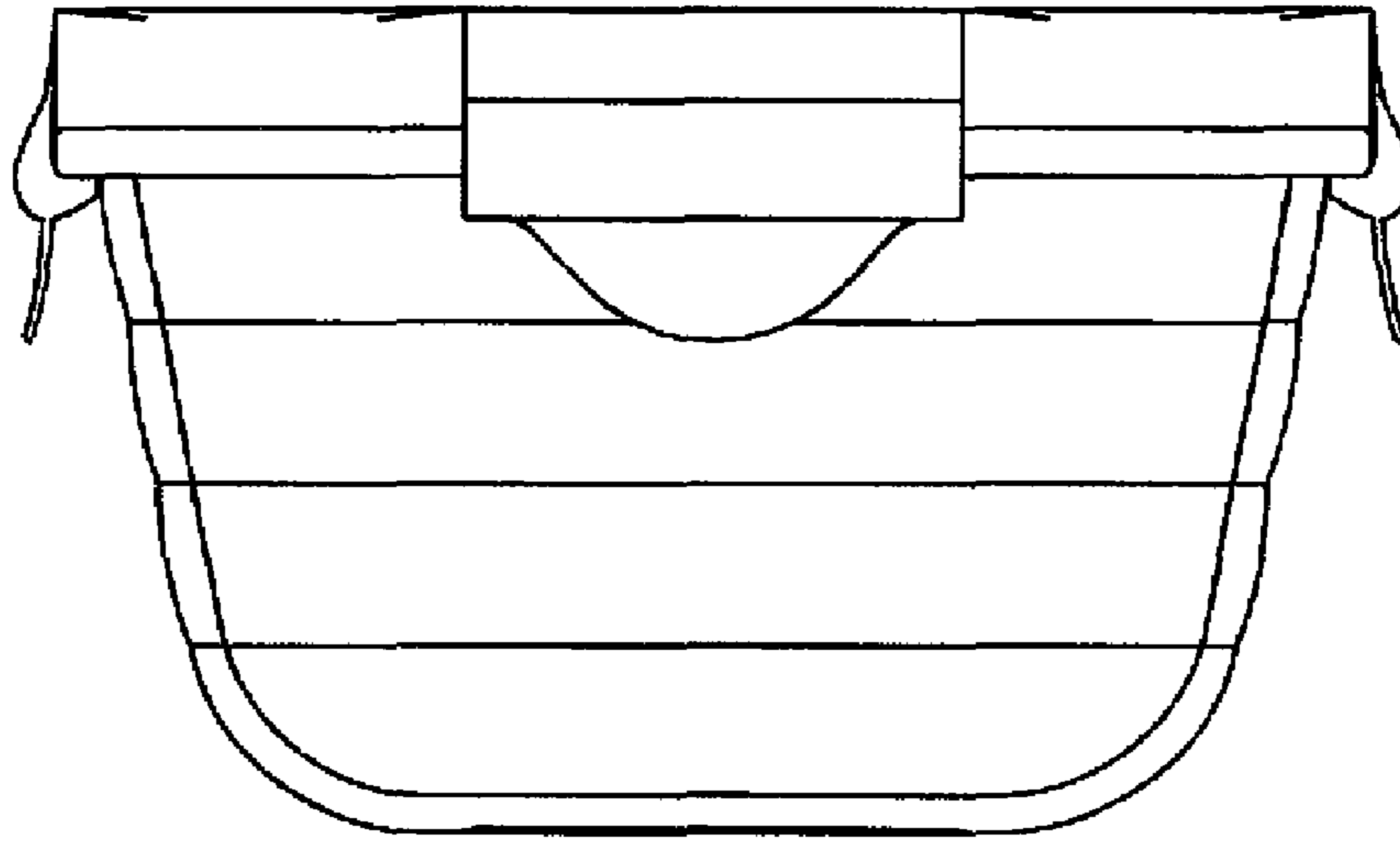


FIG. 4

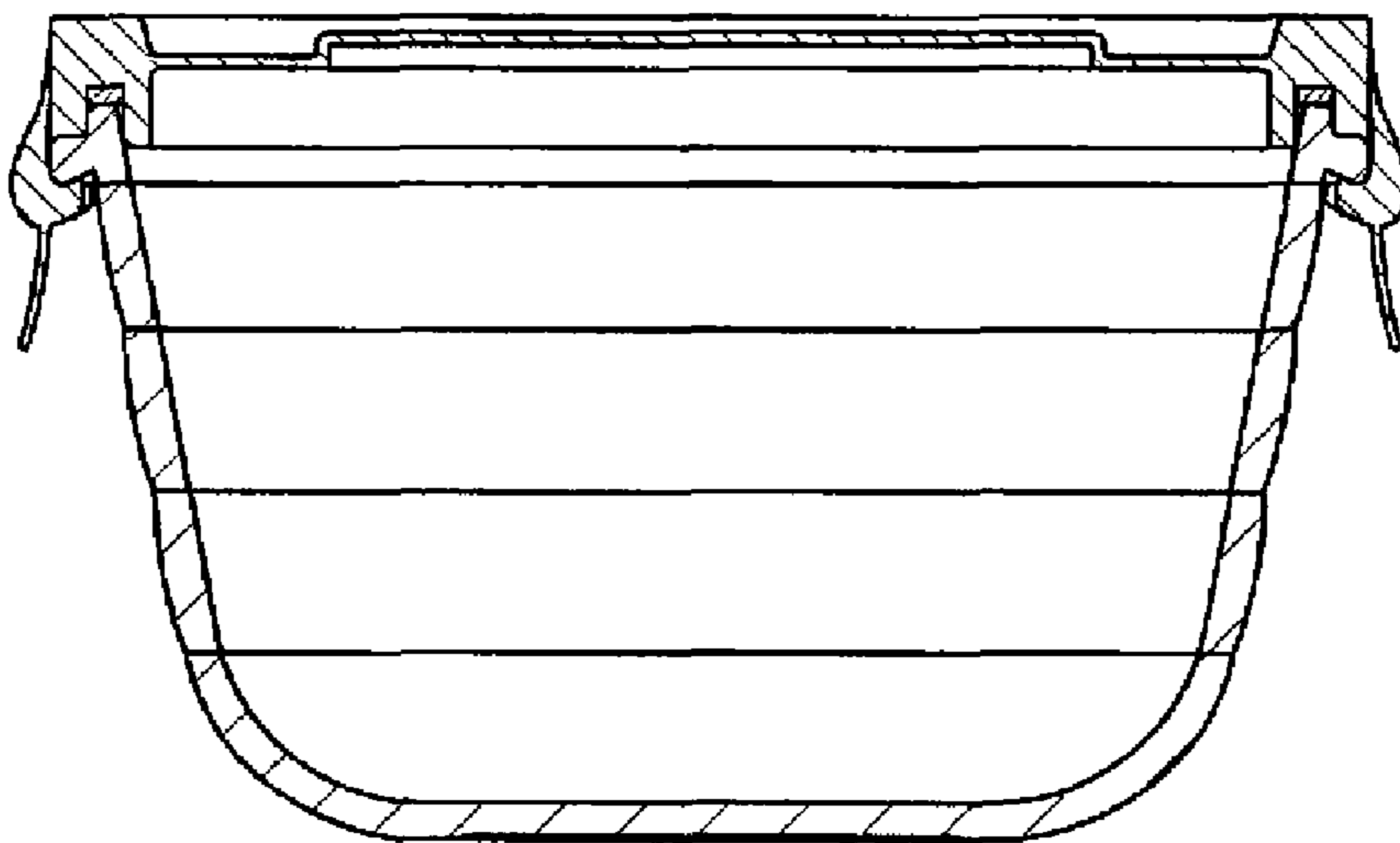


FIG. 5