



US00D606812S

(12) **United States Design Patent**  
**Wu**

(10) **Patent No.:** **US D606,812 S**  
(45) **Date of Patent:** **\*\* Dec. 29, 2009**

(54) **RECTANGULAR FOOD CONTAINER**

(76) Inventor: **Jingdong Wu**, Room 503, 1st Block,  
Zhongshan 3rd Street, Taicheng Town,  
Taishan City, Guangdong Province (CN)

(\*\*) Term: **14 Years**

(21) Appl. No.: **29/284,956**

(22) Filed: **Sep. 18, 2007**

(51) **LOC (9) Cl.** ..... **07-07**

(52) **U.S. Cl.** ..... **D7/629**

(58) **Field of Classification Search** ..... D7/601,  
D7/602, 629, 538-542; D9/424-432; 220/780-806,  
220/574-575

See application file for complete search history.

(56) **References Cited**

**U.S. PATENT DOCUMENTS**

4,787,527	A *	11/1988	Monetti	.....	220/801
D330,996	S *	11/1992	Smith et al.	.....	D7/629
D332,204	S *	1/1993	Carlson	.....	D7/629
D472,113	S	3/2003	Seifert		
D472,773	S	4/2003	Samartgis		

**FOREIGN PATENT DOCUMENTS**

CN	3594640	1/2007
CN	3604175	1/2007

\* cited by examiner

*Primary Examiner*—Terry A Wallace

(74) *Attorney, Agent, or Firm*—Schmeiser, Olsen & Watts

(57) **CLAIM**

The ornamental design of a rectangular food container, as shown and described.

**DESCRIPTION**

FIG. 1 is a perspective view of the rectangular food container according to my design, as seen from above.

FIG. 2 is a perspective view of the rectangular food container of FIG. 1, as seen from above, with the lid separated.

FIG. 3 is a perspective view of the rectangular food container of FIG. 1, as seen from below, with the lid separated.

FIG. 4 is a side view of the rectangular food container of FIG. 1.

FIG. 5 is a side view of the rectangular food container of FIG. 1, with the lid separated.

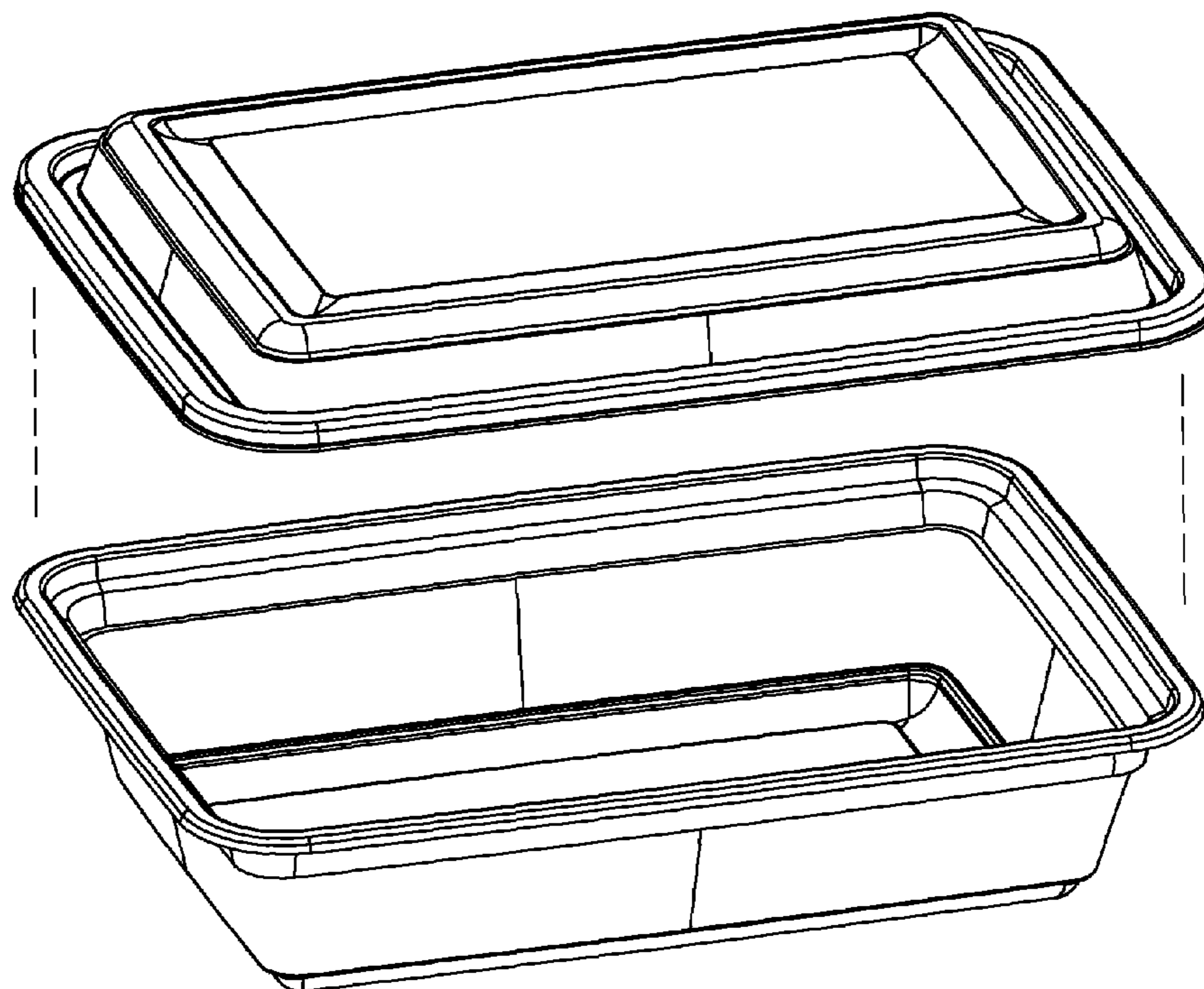
FIG. 6 is an end view of the rectangular food container of FIG. 1.

FIG. 7 is a top view of the rectangular food container of FIG. 1.

FIG. 8 is a bottom view of the rectangular food container of FIG. 1; and,

FIG. 9 is a cross sectional view through line 9—9 of FIG. 1.

**1 Claim, 9 Drawing Sheets**



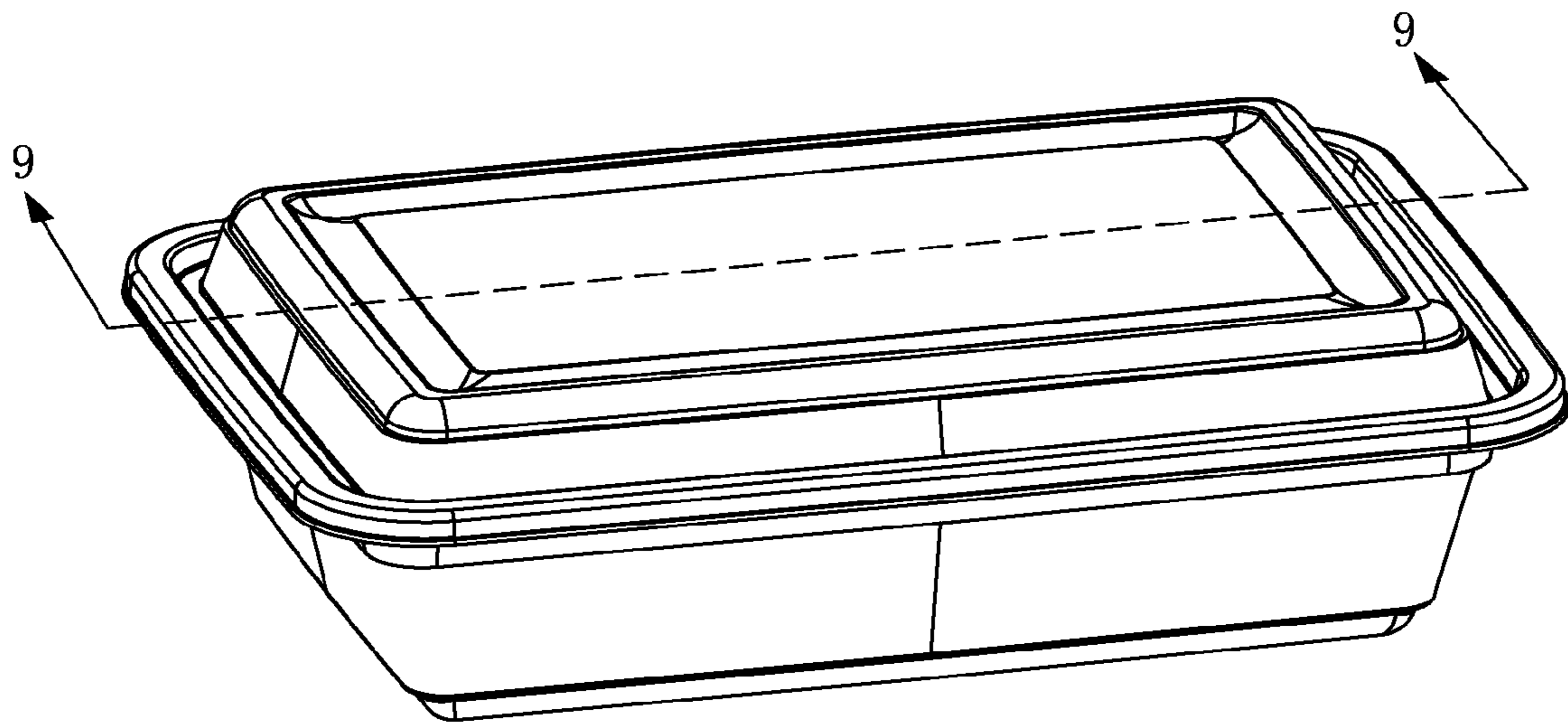


FIG. 1

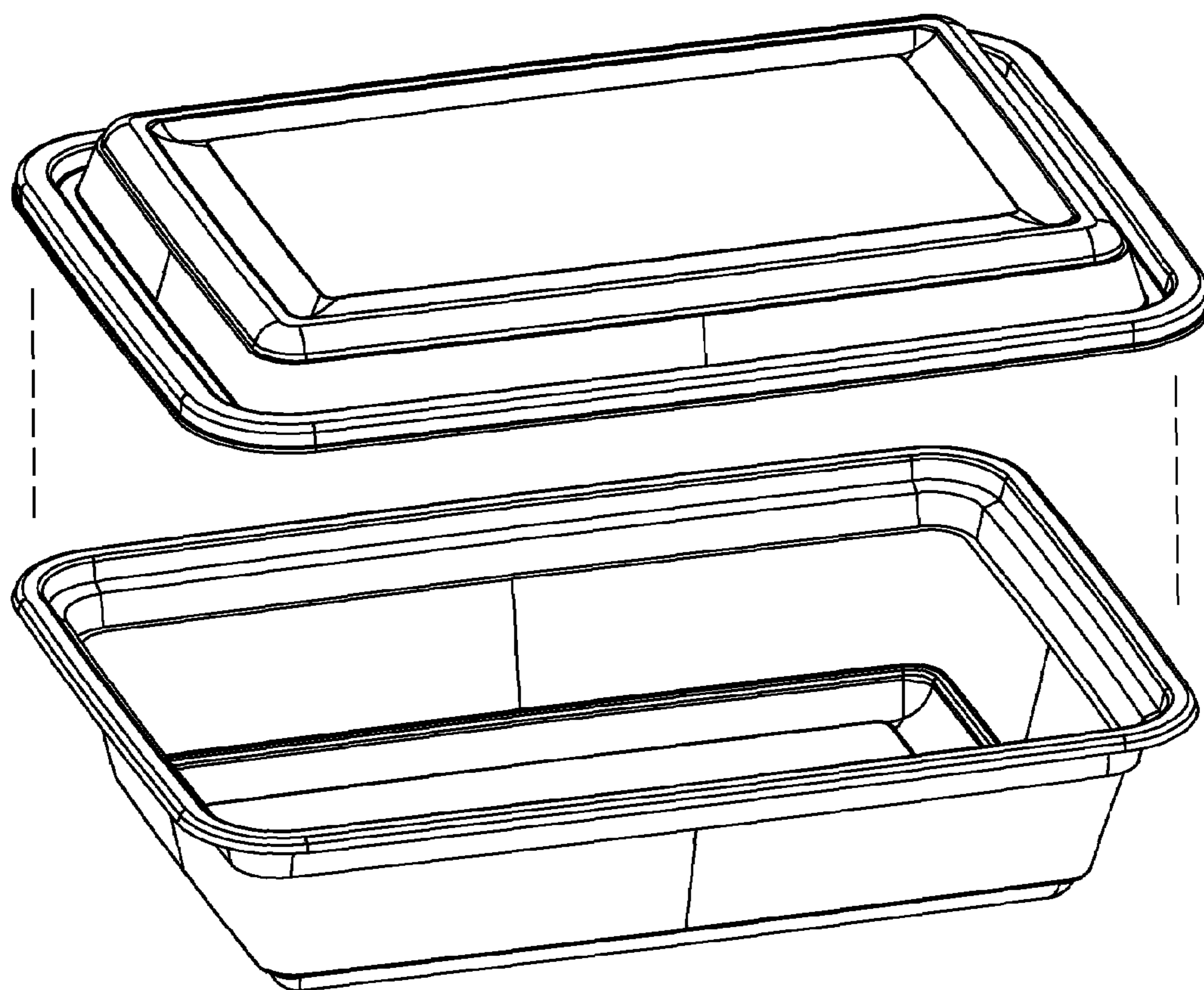


FIG. 2

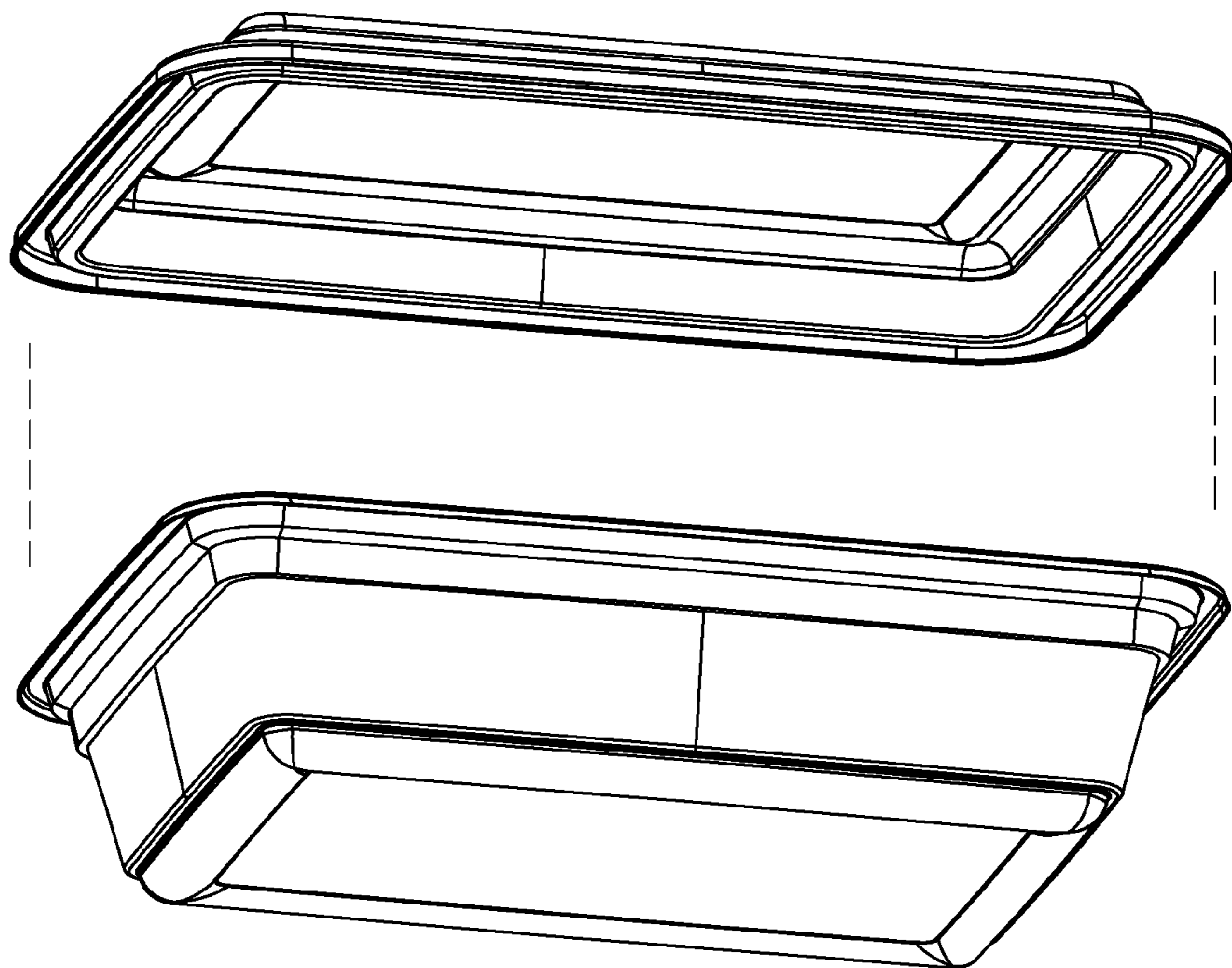


FIG. 3

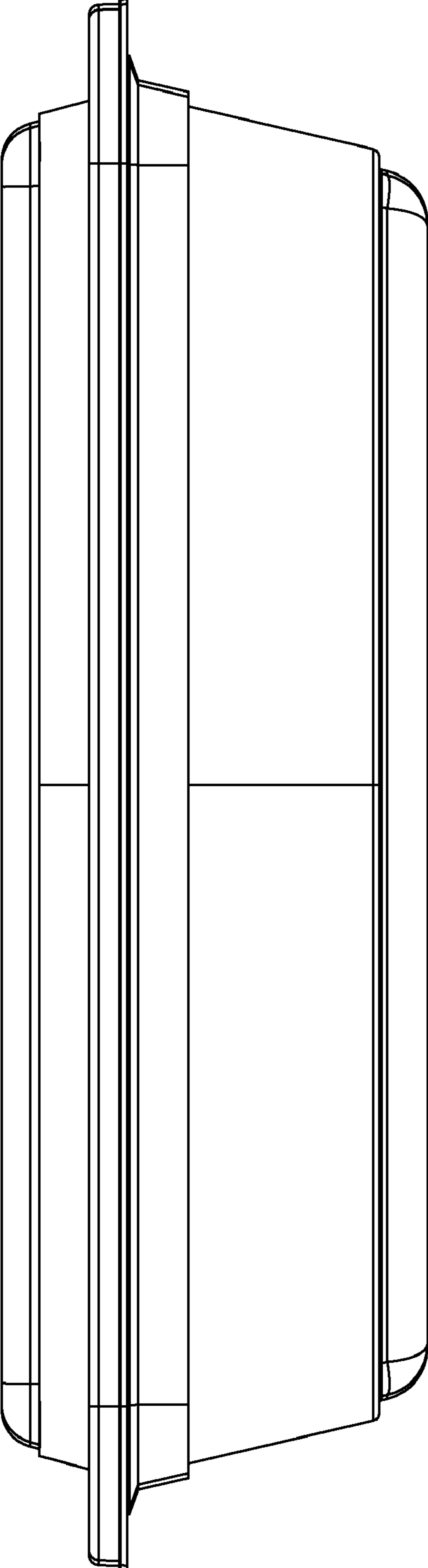


FIG. 4

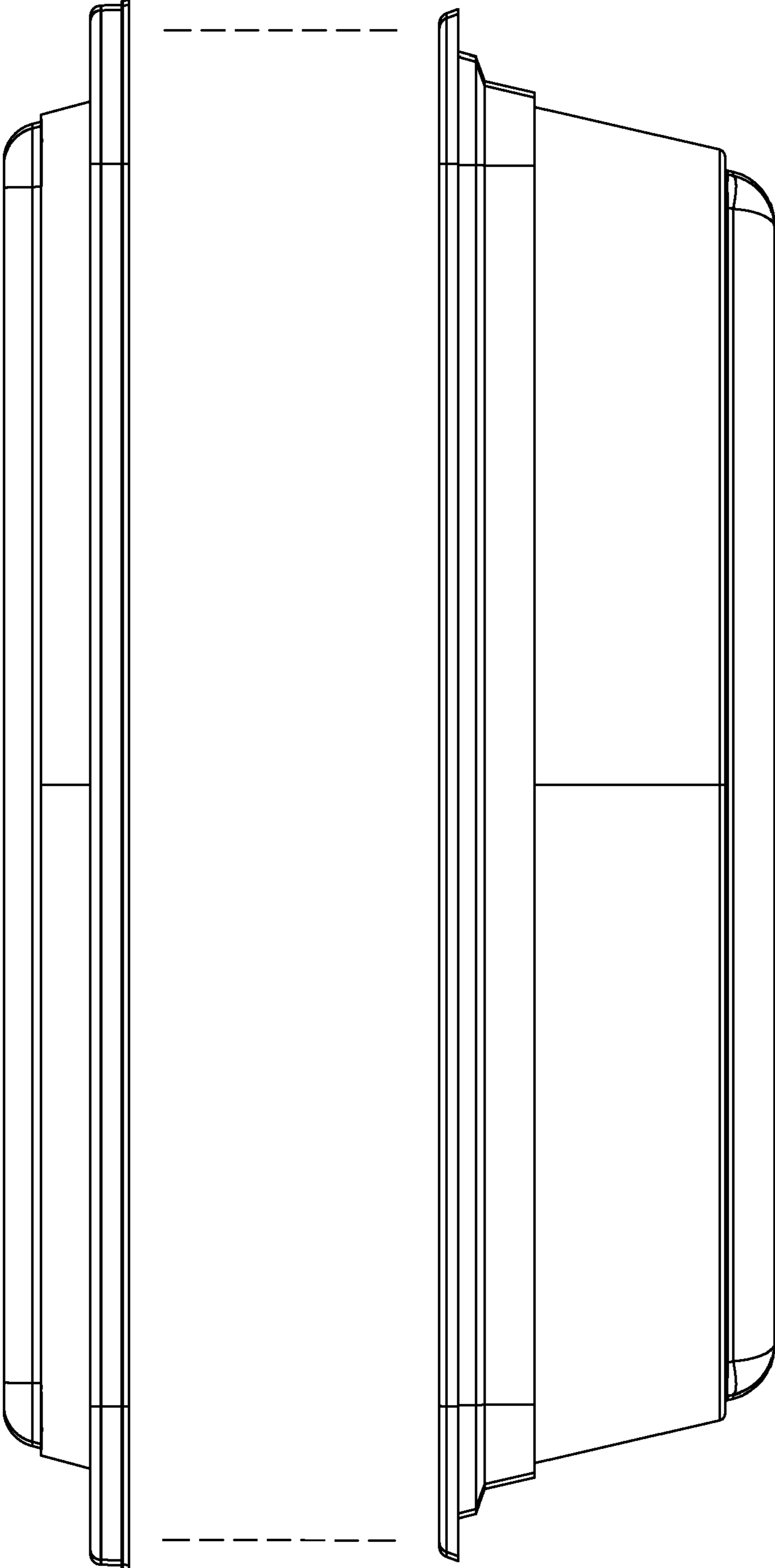


FIG. 5

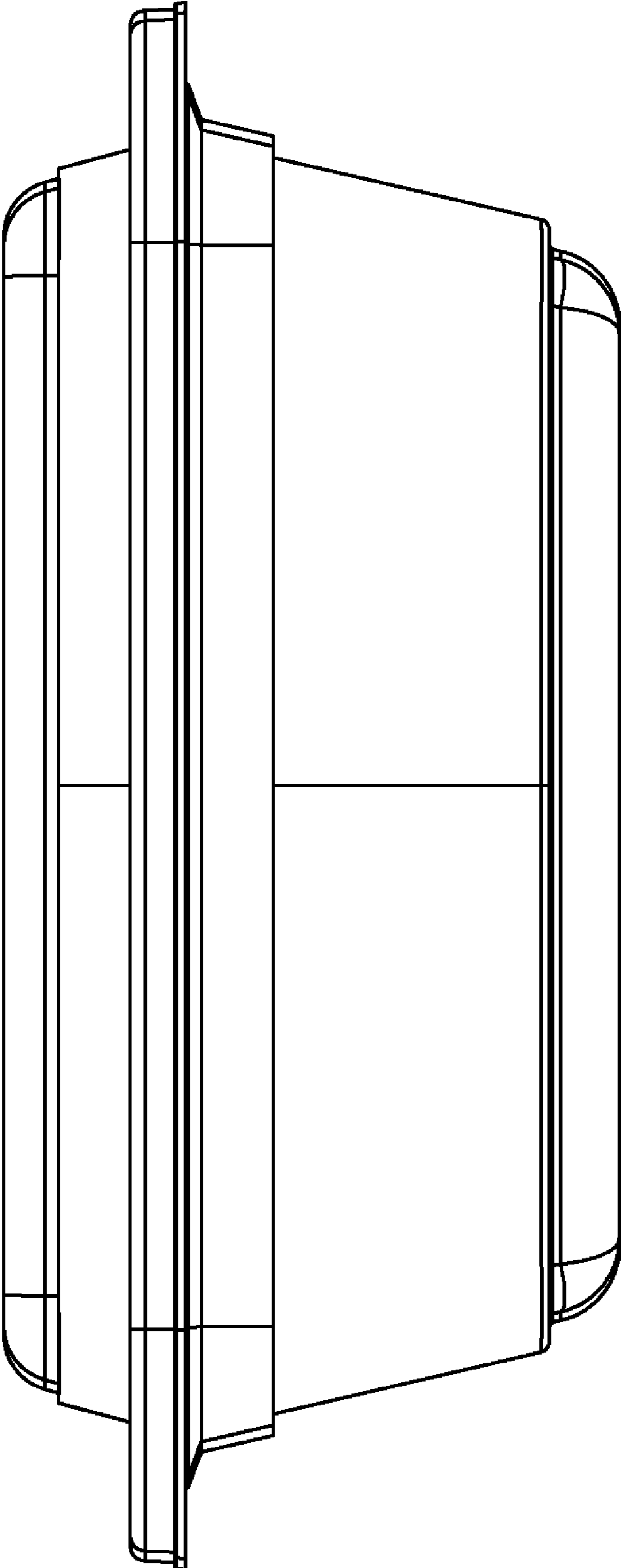


FIG. 6

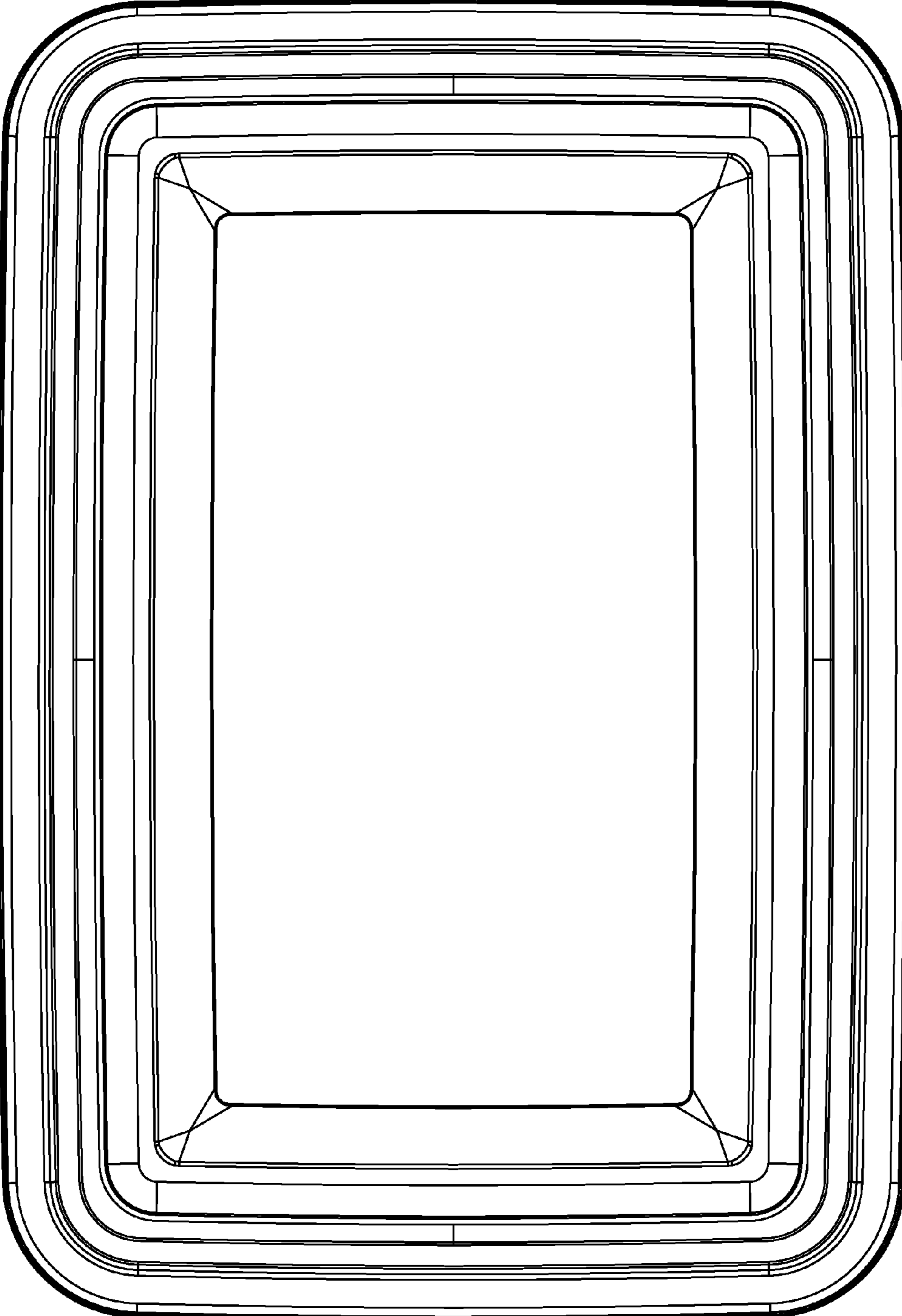


FIG. 7



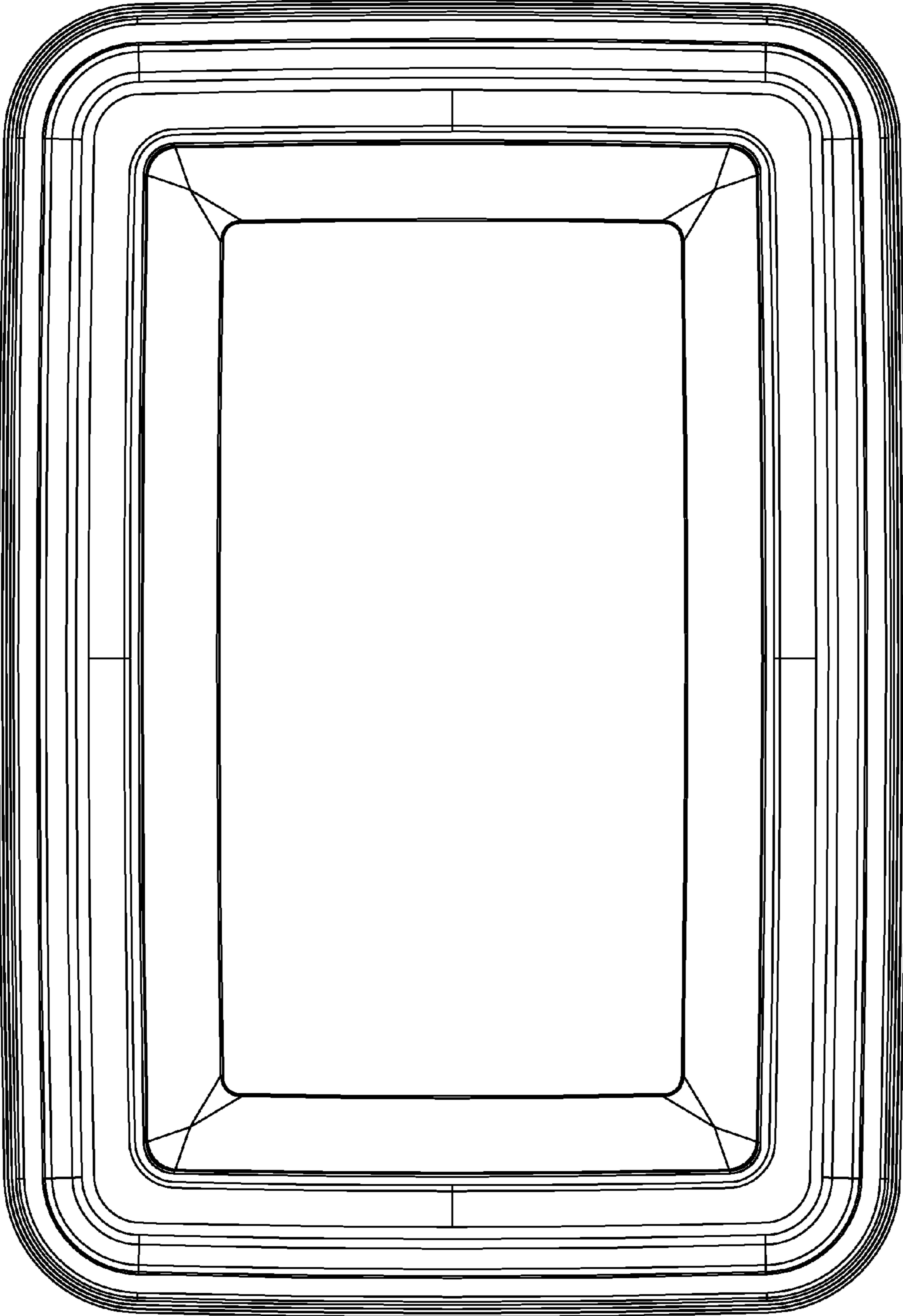


FIG. 8

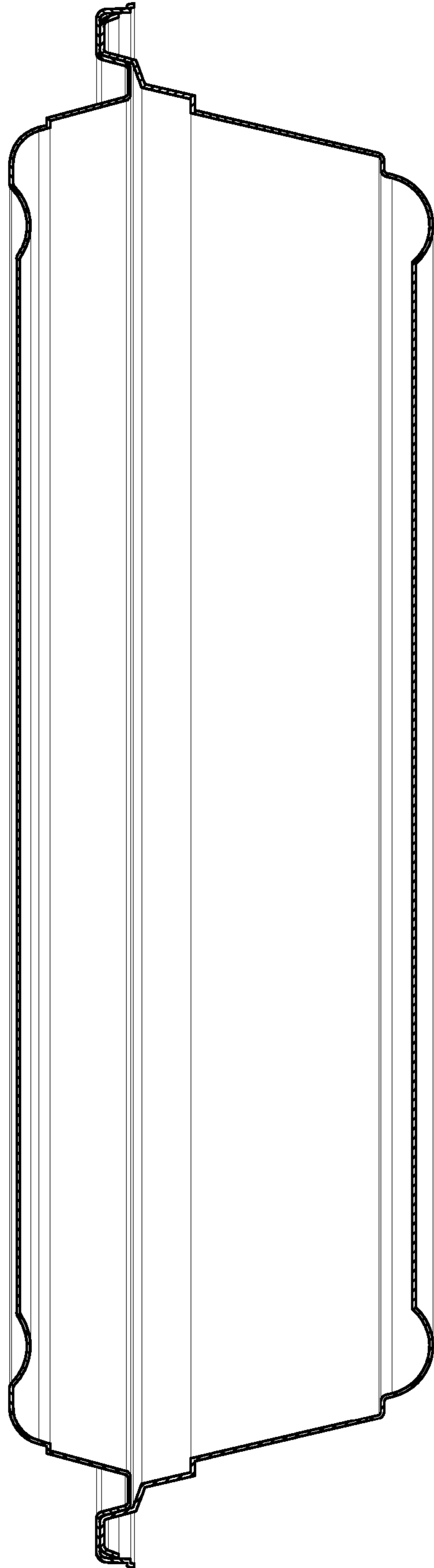


FIG. 9